



US00D716910S

(12) **United States Design Patent**  
**Huang**

(10) **Patent No.:** **US D716,910 S**  
(45) **Date of Patent:** **\*\* Nov. 4, 2014**

(54) **SQUARE SHOWER HOSE**  
(76) Inventor: **Chin-Yuan Huang, Kaiping (CN)**  
(\*\*) Term: **14 Years**  
(21) Appl. No.: **29/427,239**  
(22) Filed: **Jul. 16, 2012**  
(51) **LOC (10) Cl.** ..... **23-01**  
(52) **U.S. Cl.**  
USPC ..... **D23/223**  
(58) **Field of Classification Search**  
USPC ..... D23/213, 223, 224, 228, 229, 230, 259,  
D23/263, 266; D24/129; D13/155; 138/103,  
138/105, 109, 118, 118.1, 121, 122, 126,  
138/128, 140, 154, 155, 157, 158, 167, 173,  
138/177; 285/58, 83, 124.1, 124.5, 179,  
285/179.1  
See application file for complete search history.

D351,015 S \* 9/1994 Caceres et al. .... D23/213  
D381,405 S \* 7/1997 Waidele et al. .... D23/266  
D443,863 S \* 6/2001 Maccarone et al. .... D13/155  
D459,434 S \* 6/2002 Fauquet ..... D23/213  
D459,435 S \* 6/2002 Fauquet ..... D23/213  
D575,845 S \* 8/2008 Lobermeier et al. .... D23/223  
D621,008 S \* 8/2010 Wildfang ..... D23/255  
D652,110 S \* 1/2012 Nichols ..... D23/223  
D660,940 S \* 5/2012 Flowers et al. .... D23/223  
D673,650 S \* 1/2013 Chibitty ..... D23/223  
D674,044 S \* 1/2013 Romero et al. .... D23/223  
2014/0130930 A1\* 5/2014 Ragner ..... 138/121

\* cited by examiner

*Primary Examiner* — Eric Goodman  
*Assistant Examiner* — Daniel J Domino  
(74) *Attorney, Agent, or Firm* — Luedeka Neely Group, P.C.

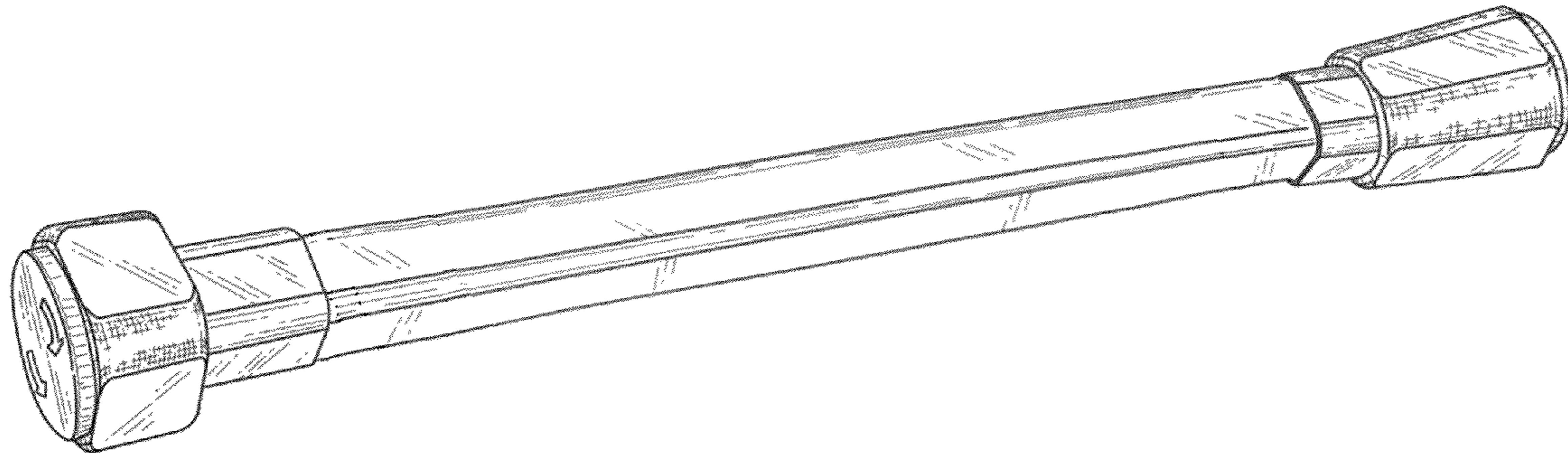
(57) **CLAIM**  
The ornamental design for a square shower hose, as shown and described.

**DESCRIPTION**

FIG. 1 is a perspective view of a square shower hose;  
FIG. 2 is front elevation view of the square shower hose;  
FIG. 3 is left elevation view of the square shower hose;  
FIG. 4 is right elevation view of the square shower hose; and,  
FIG. 5 is a section view of the square shower hose, taken along line 5-5.

**1 Claim, 1 Drawing Sheet**

(56) **References Cited**  
U.S. PATENT DOCUMENTS  
1,946,694 A \* 2/1934 Hunter ..... 138/157  
2,483,412 A \* 10/1949 Harker ..... 138/168  
D228,908 S \* 10/1973 Juhlin ..... D23/223  
D312,298 S \* 11/1990 Kapec et al. .... D23/226  
D349,557 S \* 8/1994 Huen ..... D23/223  
D350,941 S \* 9/1994 Davis ..... D13/155



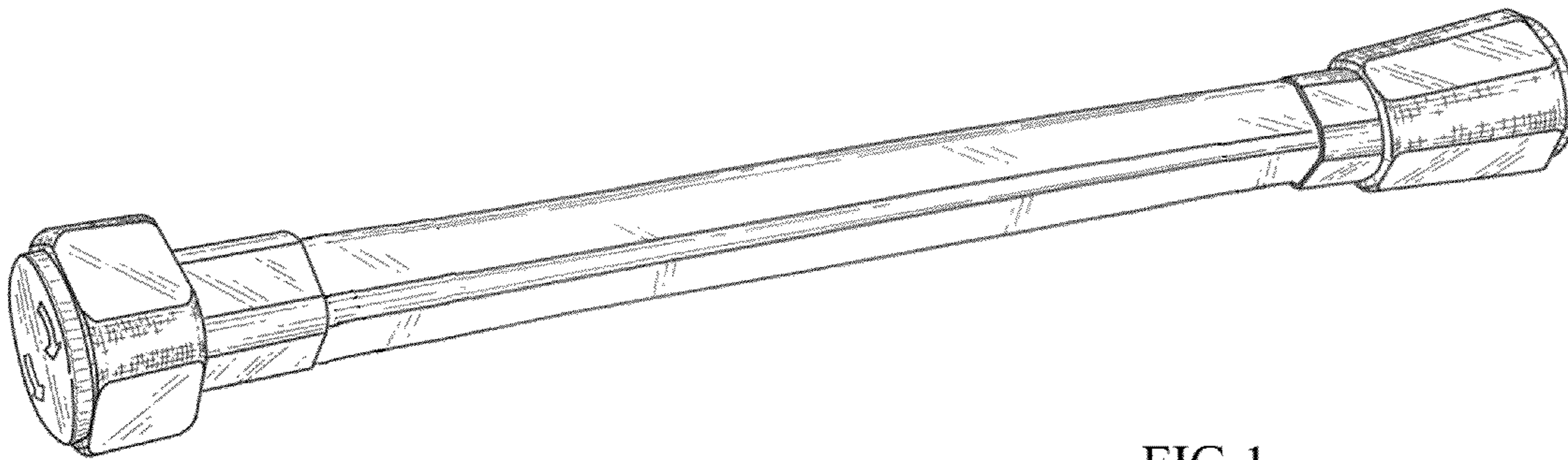


FIG. 1

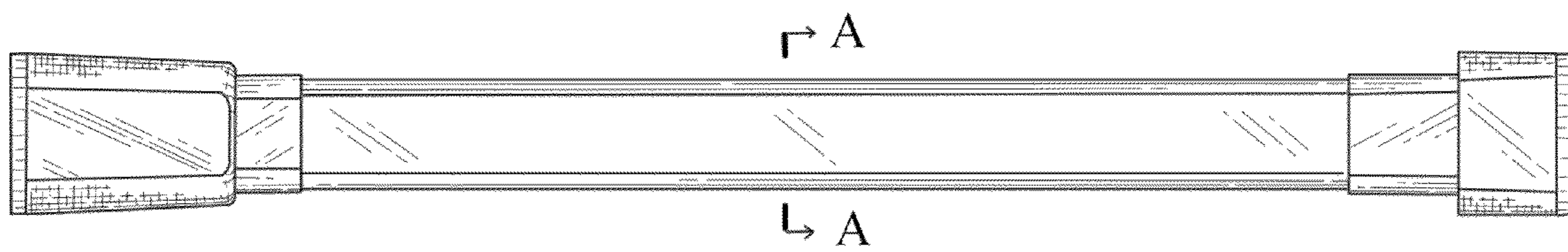


FIG. 2



FIG. 3



FIG. 4

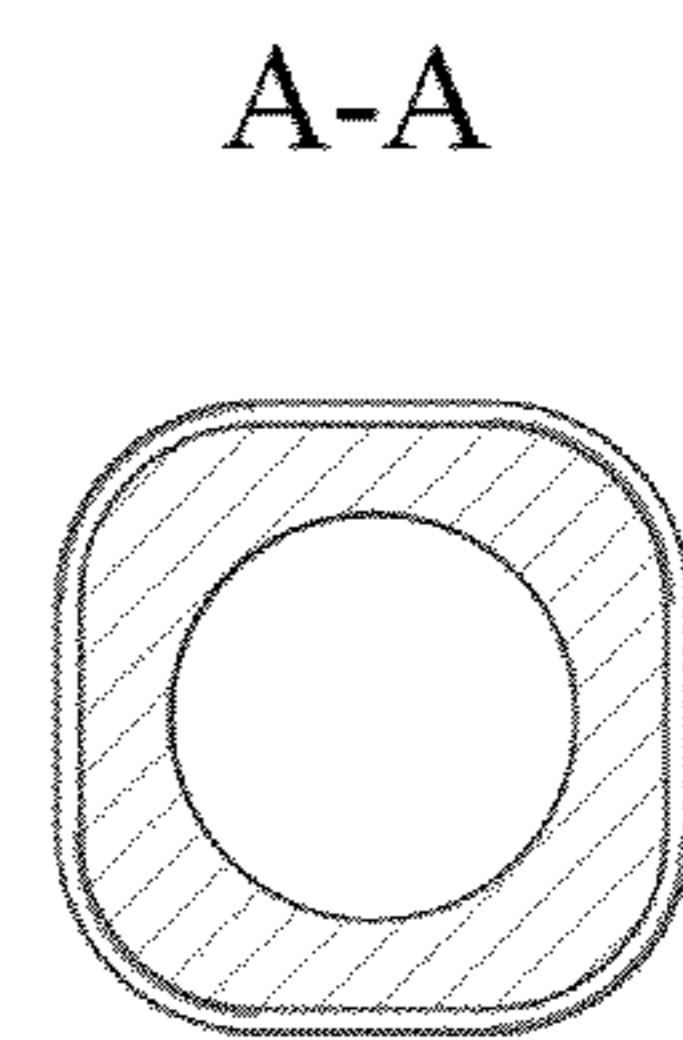


FIG. 5