



US00D716909S

(12) **United States Design Patent**
Hammarback

(10) **Patent No.:** **US D716,909 S**
(45) **Date of Patent:** **** Nov. 4, 2014**

- (54) **WATER PURIFICATION CARTRIDGE**
- (71) Applicant: **Barry J. Hammarback**, River Falls, WI (US)
- (72) Inventor: **Barry J. Hammarback**, River Falls, WI (US)
- (**) Term: **14 Years**
- (21) Appl. No.: **29/474,041**
- (22) Filed: **May 12, 2014**

D351,892 S	10/1994	Wolf et al.	
5,370,534 A	12/1994	Wolf et al.	
5,401,399 A	3/1995	Magnusson et al.	
5,556,279 A	9/1996	Wolf et al.	
6,325,929 B1	12/2001	Bassett	
D547,822 S *	7/2007	Kennedy et al.	D23/207
D547,823 S *	7/2007	Kennedy et al.	D23/207
D547,825 S *	7/2007	Kennedy et al.	D23/209
D548,306 S *	8/2007	Kennedy et al.	D23/209
8,252,185 B2	8/2012	Rajan et al.	

* cited by examiner

Primary Examiner — Robin V Webster
(74) *Attorney, Agent, or Firm* — Richard John Bartz

Related U.S. Application Data

- (62) Division of application No. 29/442,193, filed on Jan. 2, 2013.
- (51) **LOC (10) Cl.** **23-01**
- (52) **U.S. Cl.**
USPC **D23/209**
- (58) **Field of Classification Search**
USPC D23/207, 209; 210/238, 497.01, 282
See application file for complete search history.

References Cited

U.S. PATENT DOCUMENTS

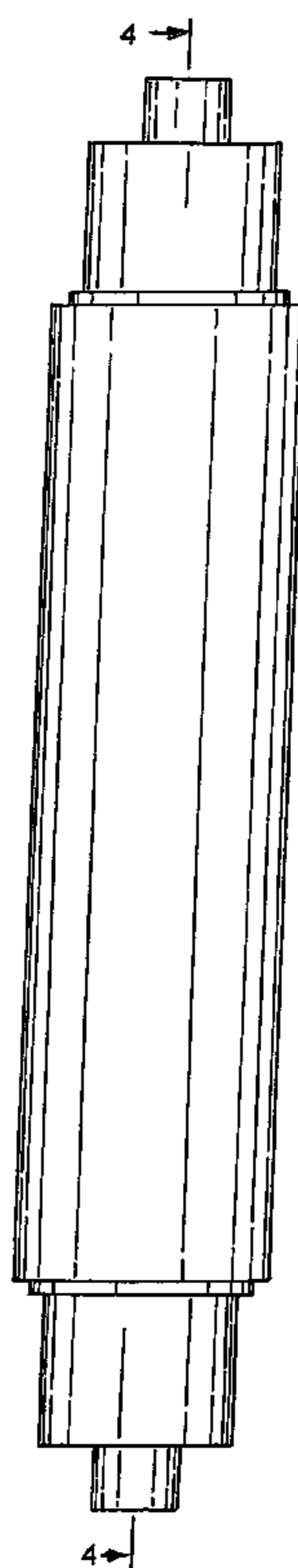
D265,227 S *	6/1982	Jolley	D23/207
D297,857 S *	9/1988	Alexander et al.	D23/207
5,230,624 A	7/1993	Wolf et al.		

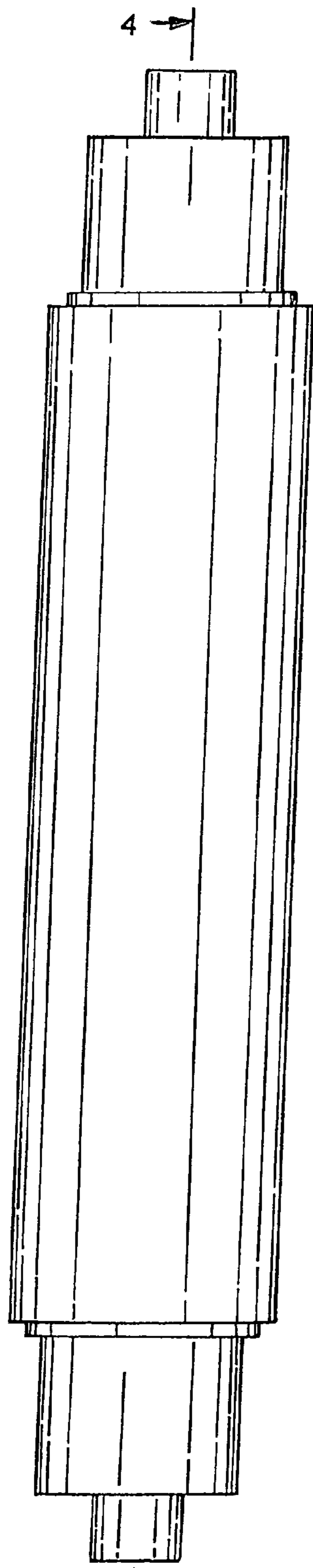
(57) **CLAIM**
The ornamental design for a water purification cartridge, as shown and described.

DESCRIPTION

FIG. 1 is a front elevational view of the water purification cartridge showing my new design, the rear and side elevational views being identical;
FIG. 2 is a top plan view thereof;
FIG. 3 is a bottom plan view thereof;
FIG. 4 is a foreshortened sectional view taken along line 4-4 of FIG. 1;
FIG. 5 is a sectional view taken along line 5-5 of FIG. 4;
FIG. 6 is a sectional view taken along line 6-6 of FIG. 4; and,
FIG. 7 is a sectional view taken along line 7-7 of FIG. 4.

1 Claim, 2 Drawing Sheets





4 → FIG. 1

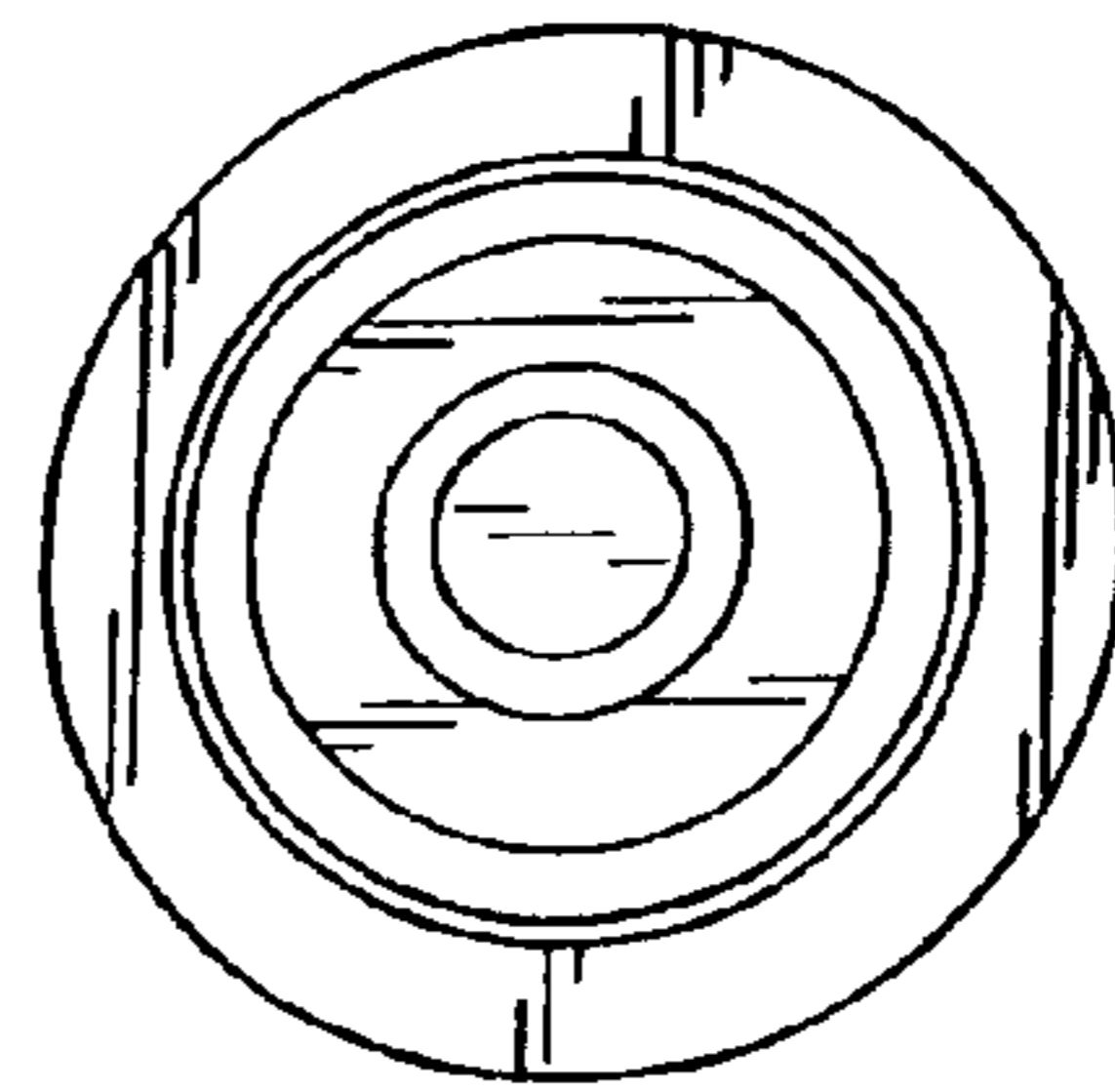


FIG. 2

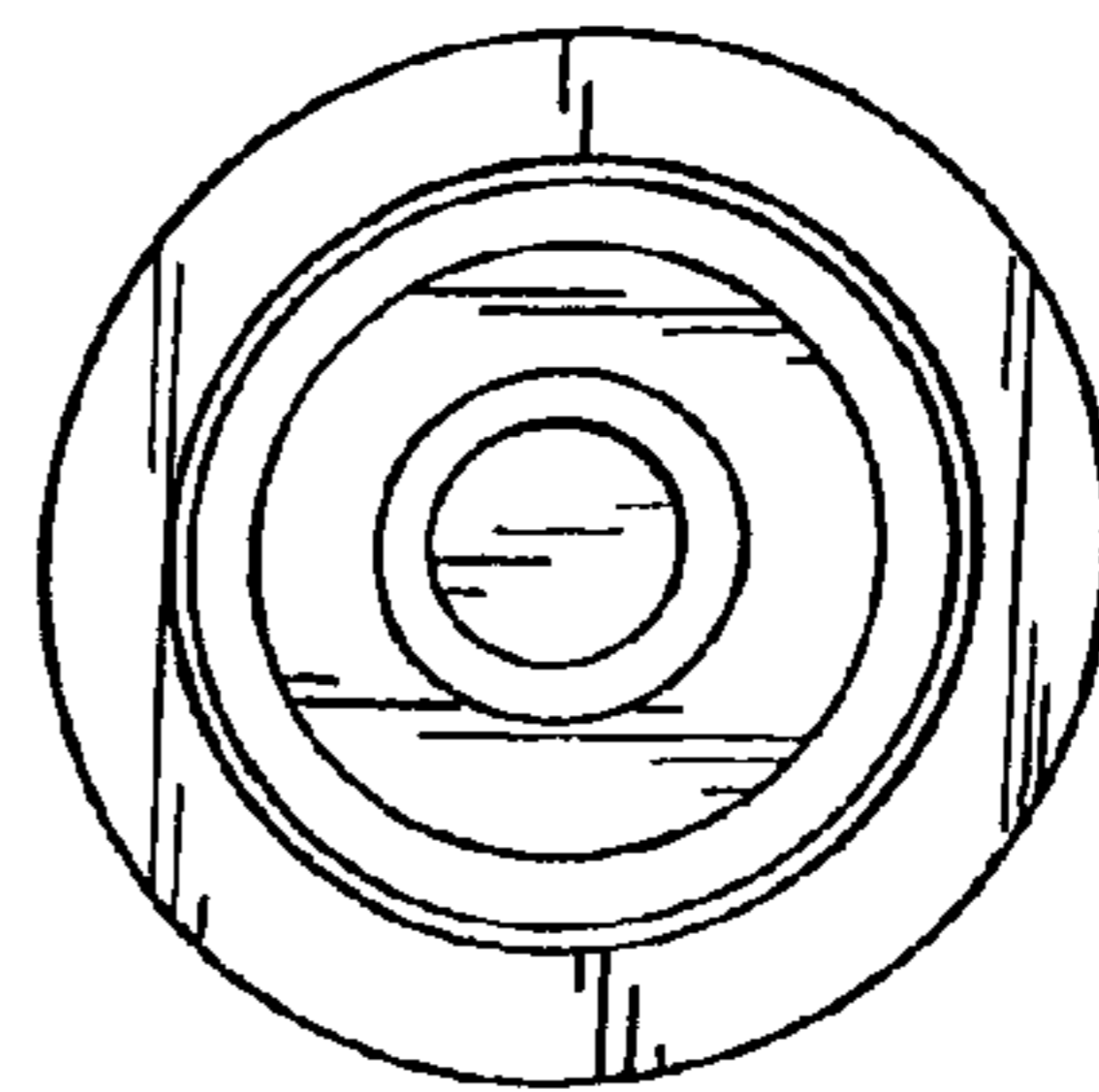


FIG. 3

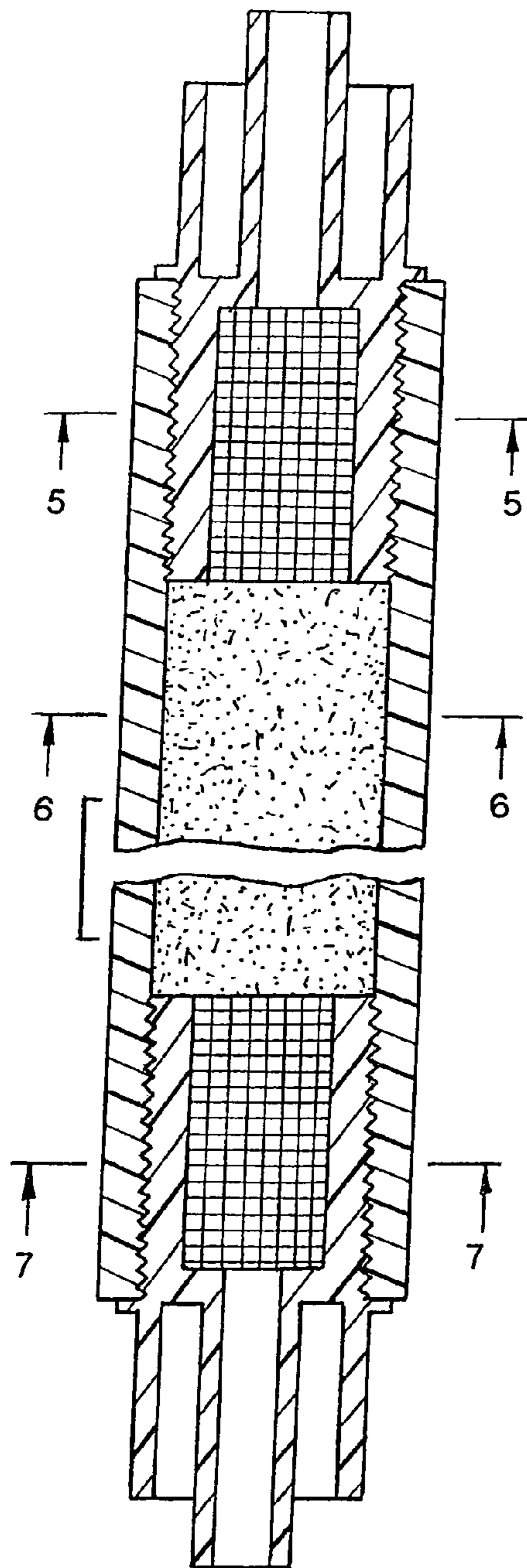


FIG. 4

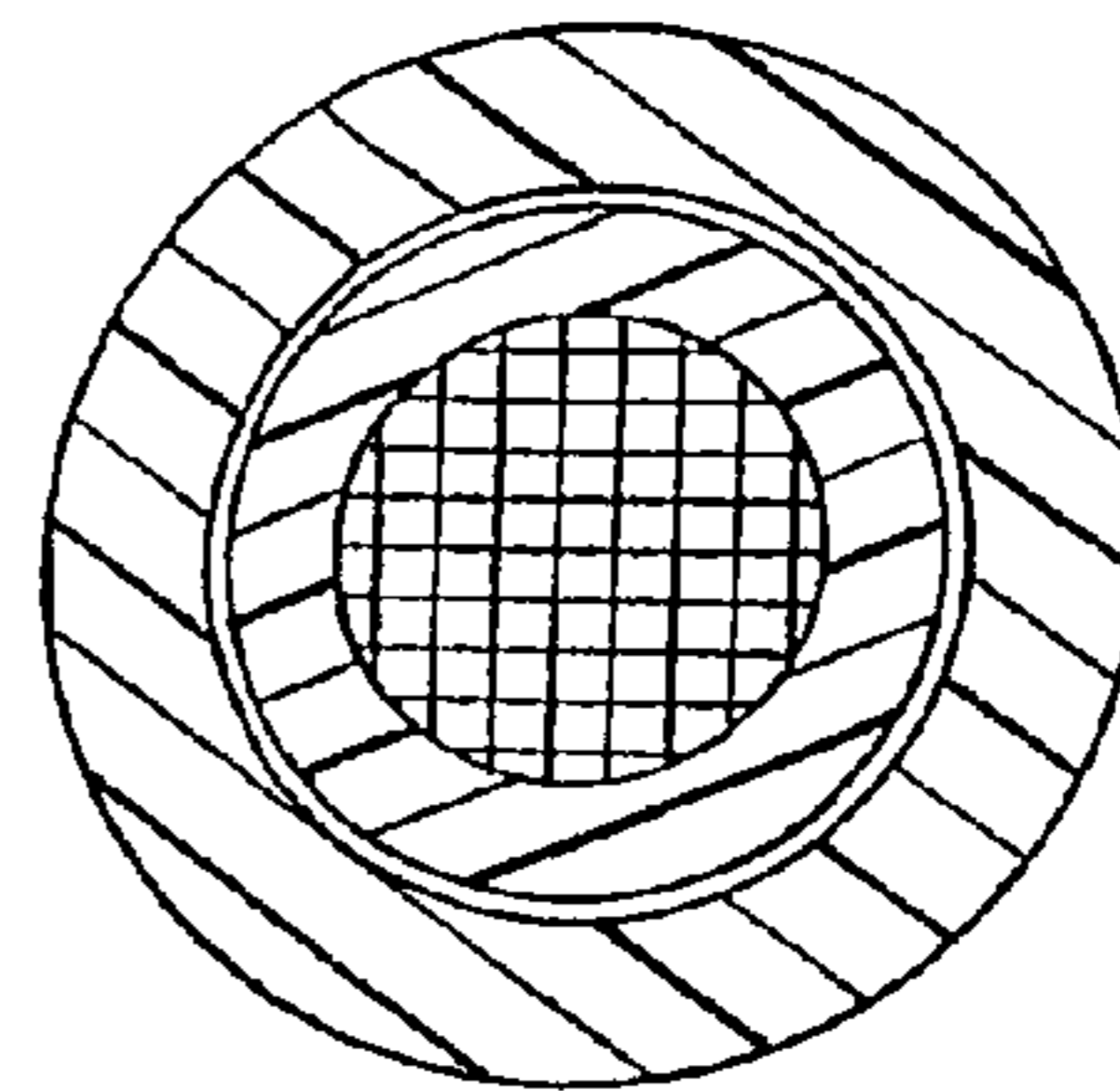


FIG. 5

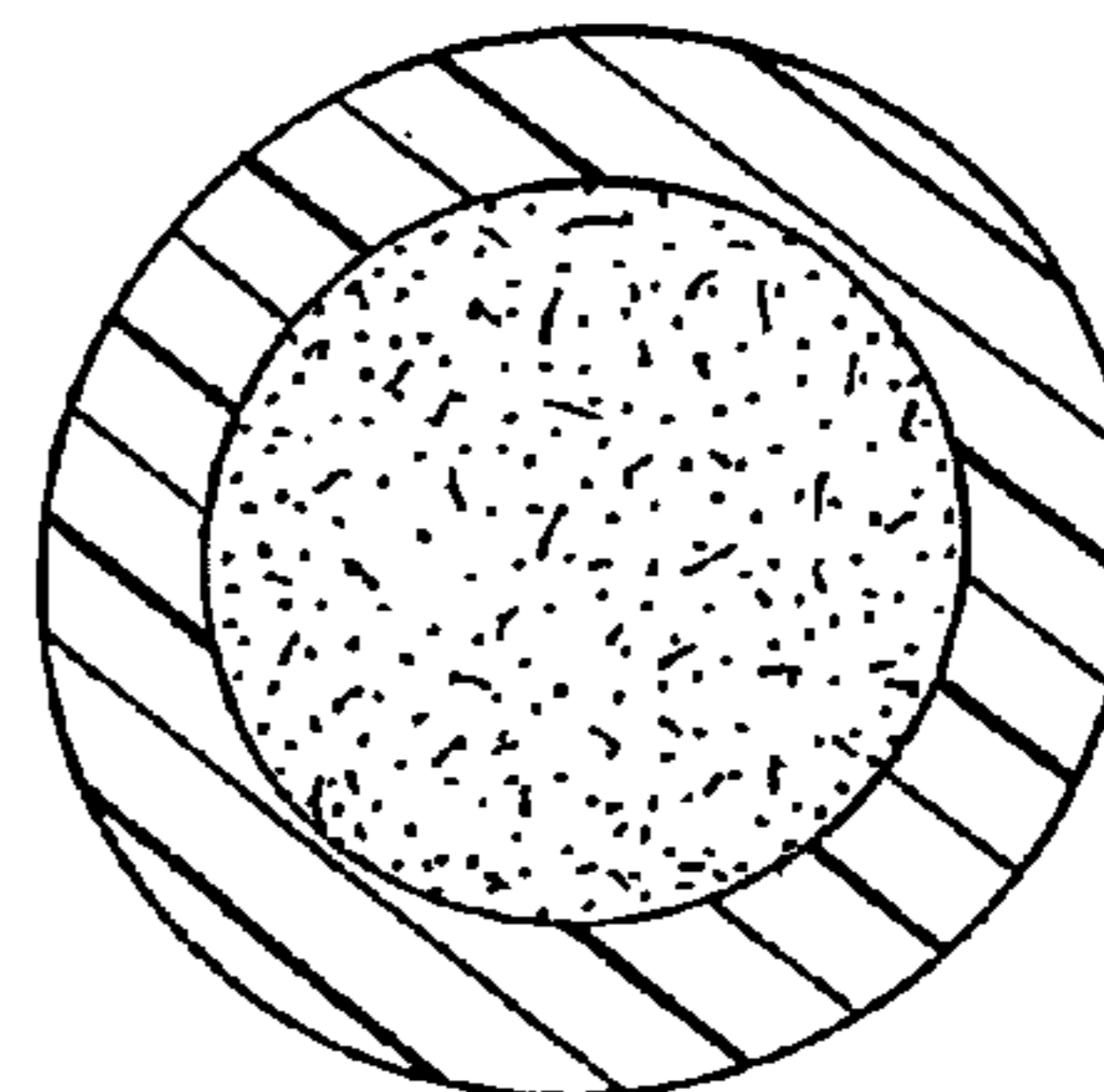


FIG. 6

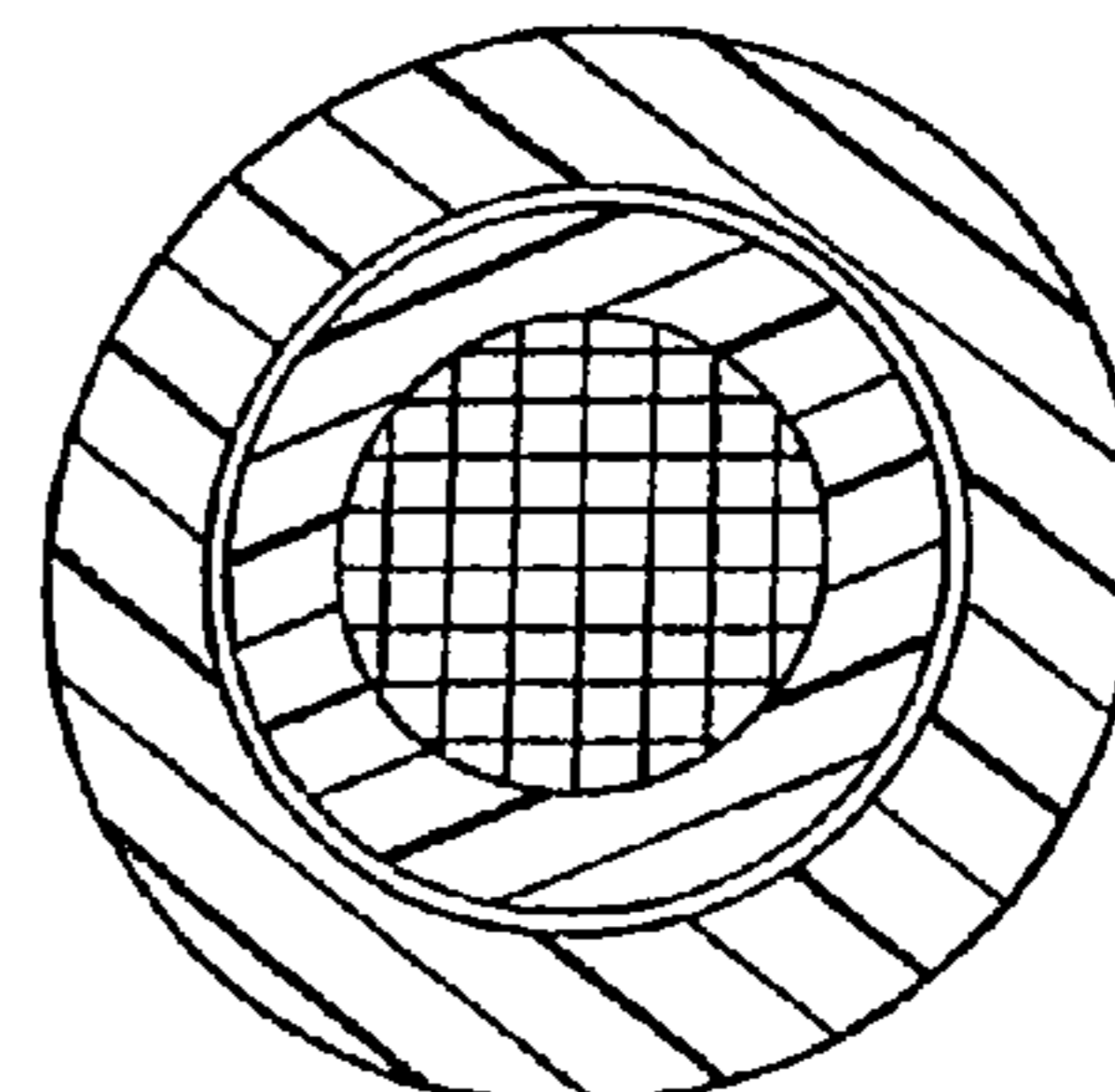


FIG. 7