



US00D716908S

(12) **United States Design Patent**  
**Alesi et al.**

(10) **Patent No.:** **US D716,908 S**  
(45) **Date of Patent:** **\*\* Nov. 4, 2014**

- (54) **FUNNEL**
- (71) Applicant: **Custom Accessories, Inc.**, Richmond, IL (US)
- (72) Inventors: **Vincent Alesi**, Kildeer, IL (US);  
**Anthony Ferenzi**, Plainfield, IL (US)
- (73) Assignee: **Custom Accessories, Inc.**, Richmond, IL (US)
- (\*\*) Term: **14 Years**
- (21) Appl. No.: **29/464,475**
- (22) Filed: **Aug. 16, 2013**
- (51) **LOC (10) Cl.** ..... **23-01**
- (52) **U.S. Cl.**  
USPC ..... **D23/200**; D9/436
- (58) **Field of Classification Search**  
USPC ..... D6/452–545; D7/300, 321, 392.1,  
D7/396.2, 500, 507, 509, 510, 511, 900,  
D7/700; D9/434–448, 452–455, 682, 685,  
D9/694; 215/200, 235, 236, 252, 254, 329,  
215/355–364; 220/203.04–203.07, 220,  
220/254.1, 254.4, 556, 703, 704, 705;  
D15/150; D23/200  
See application file for complete search history.

- D499,180 S \* 11/2004 Best ..... D24/122
- D541,116 S \* 4/2007 Upham et al. .... D7/700
- D555,439 S \* 11/2007 Fletcher et al. .... D7/700
- 8,430,138 B2 \* 4/2013 McGeary ..... 141/340
- D697,540 S \* 1/2014 Nkwantabisa ..... D15/150
- 8,631,841 B1 \* 1/2014 Levy et al. .... 141/342
- 2011/0011488 A1 \* 1/2011 Sickler ..... 141/1
- 2012/0267006 A1 \* 10/2012 Liao ..... 141/331

\* cited by examiner

*Primary Examiner* — Robert M Spear

*Assistant Examiner* — Marissa J Cash

(74) *Attorney, Agent, or Firm* — Patzik, Frank & Samotny Ltd.

(57) **CLAIM**

The ornamental design for a funnel, as shown and described.

**DESCRIPTION**

FIG. 1 is a front perspective view of the funnel of the present invention;  
 FIG. 2 is a front elevation view of the funnel of the present invention;  
 FIG. 3 is a rear elevation view of the funnel of the present invention;  
 FIG. 4 is a right side elevation view of the funnel of the present invention;  
 FIG. 5 is a left side elevation view of the funnel of the present invention;  
 FIG. 6 is a top plan view of the funnel of the present invention;  
 and,  
 FIG. 7 is a bottom plan view of the funnel of the present invention.

The portions shown in broken lines form no part of the claimed design.

The dot-dash lines define a boundary such that the claimed design extends to the boundary but does not include the boundary.

**1 Claim, 7 Drawing Sheets**

(56) **References Cited**

U.S. PATENT DOCUMENTS

- D271,746 S \* 12/1983 Pieri ..... D9/521
- D273,940 S \* 5/1984 Soos et al. .... D9/529
- 4,789,017 A 12/1988 Panasewicz et al.
- D350,143 S \* 8/1994 Zimmerman ..... D15/150
- D350,969 S 9/1994 Chrisco
- D377,031 S \* 12/1996 Didier ..... D15/150
- D383,394 S \* 9/1997 Davis ..... D9/539
- 6,340,038 B1 1/2002 Ingram
- D492,883 S \* 7/2004 Shumway et al. .... D7/392.1



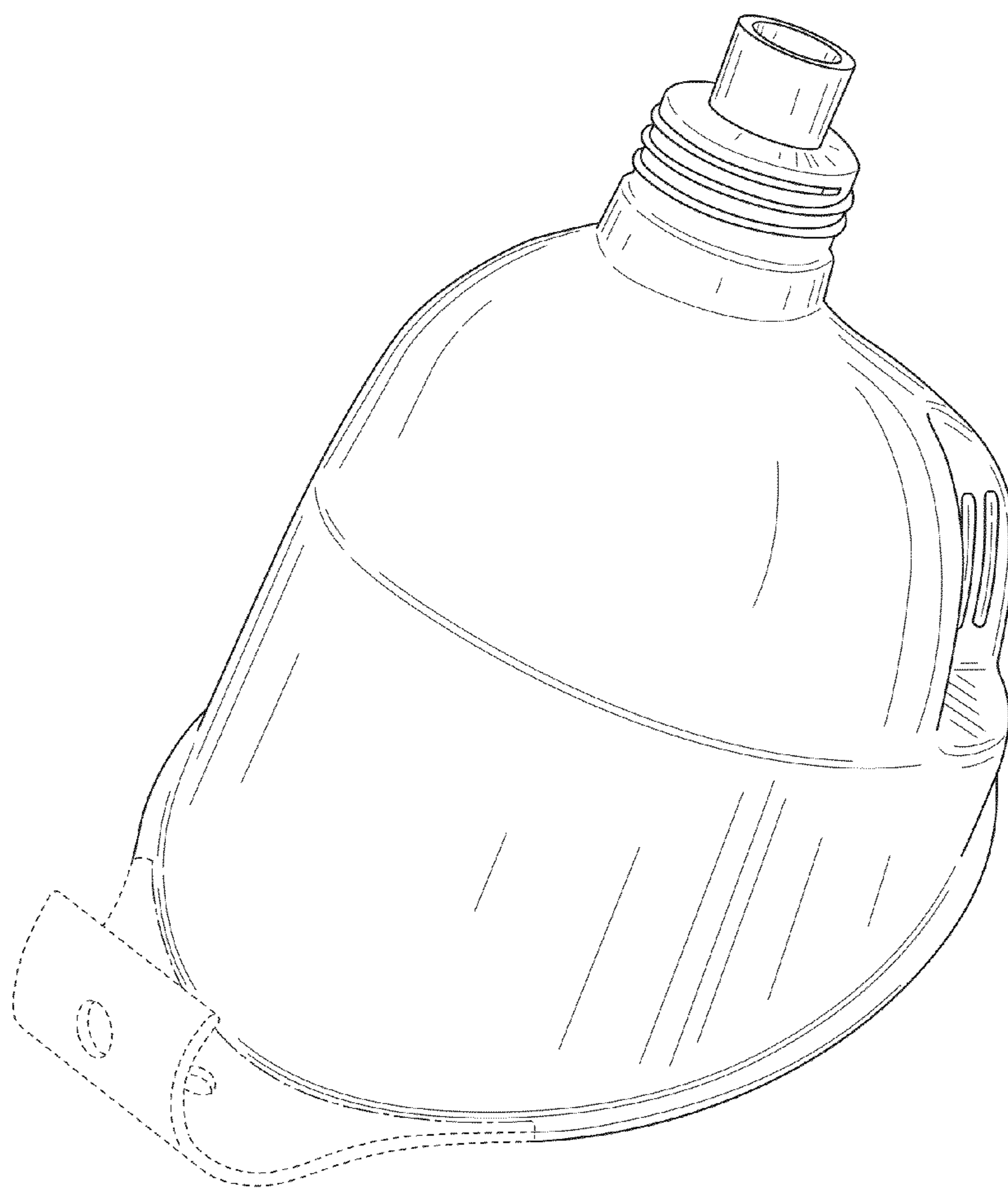


FIG. 1

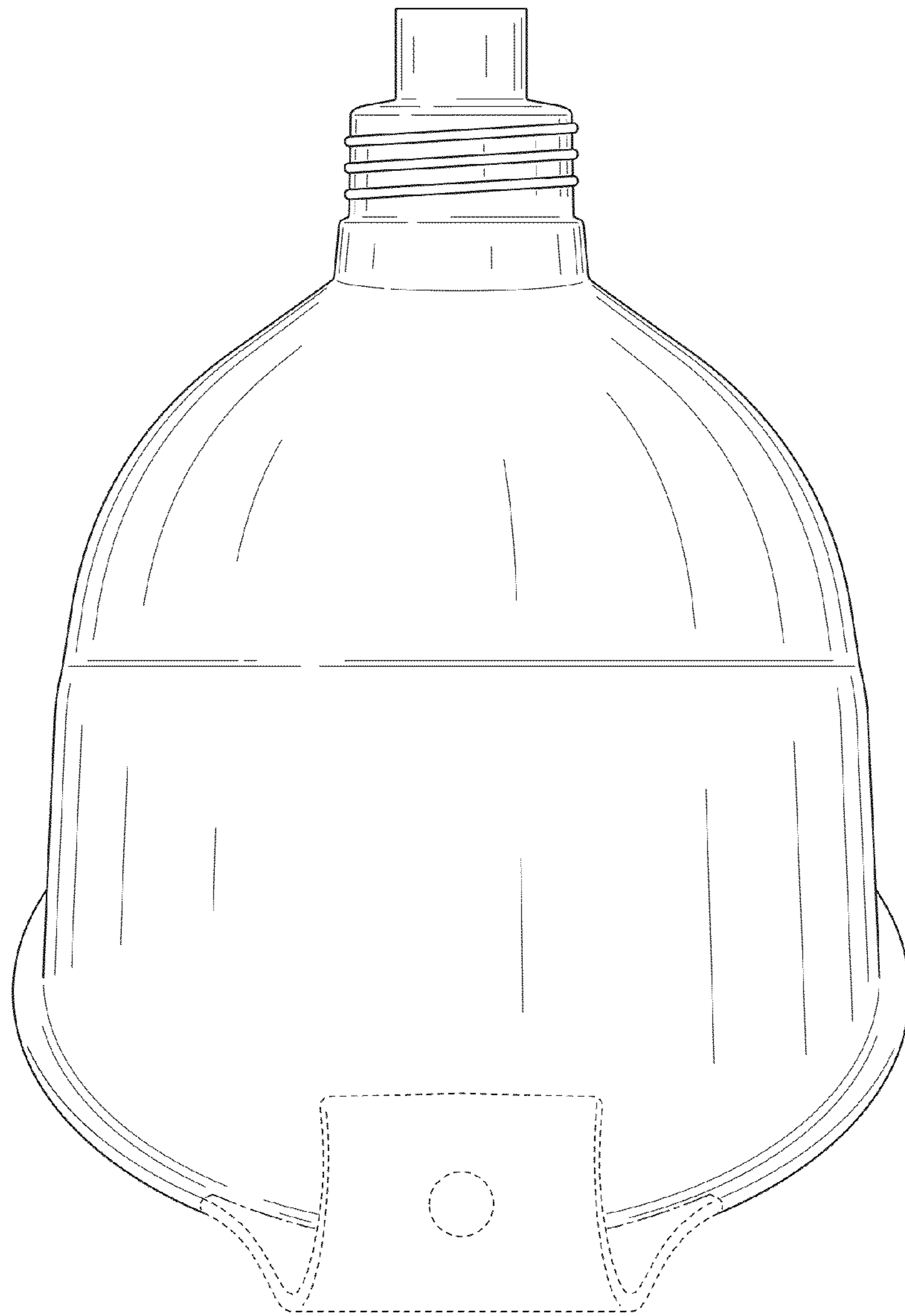


FIG. 2

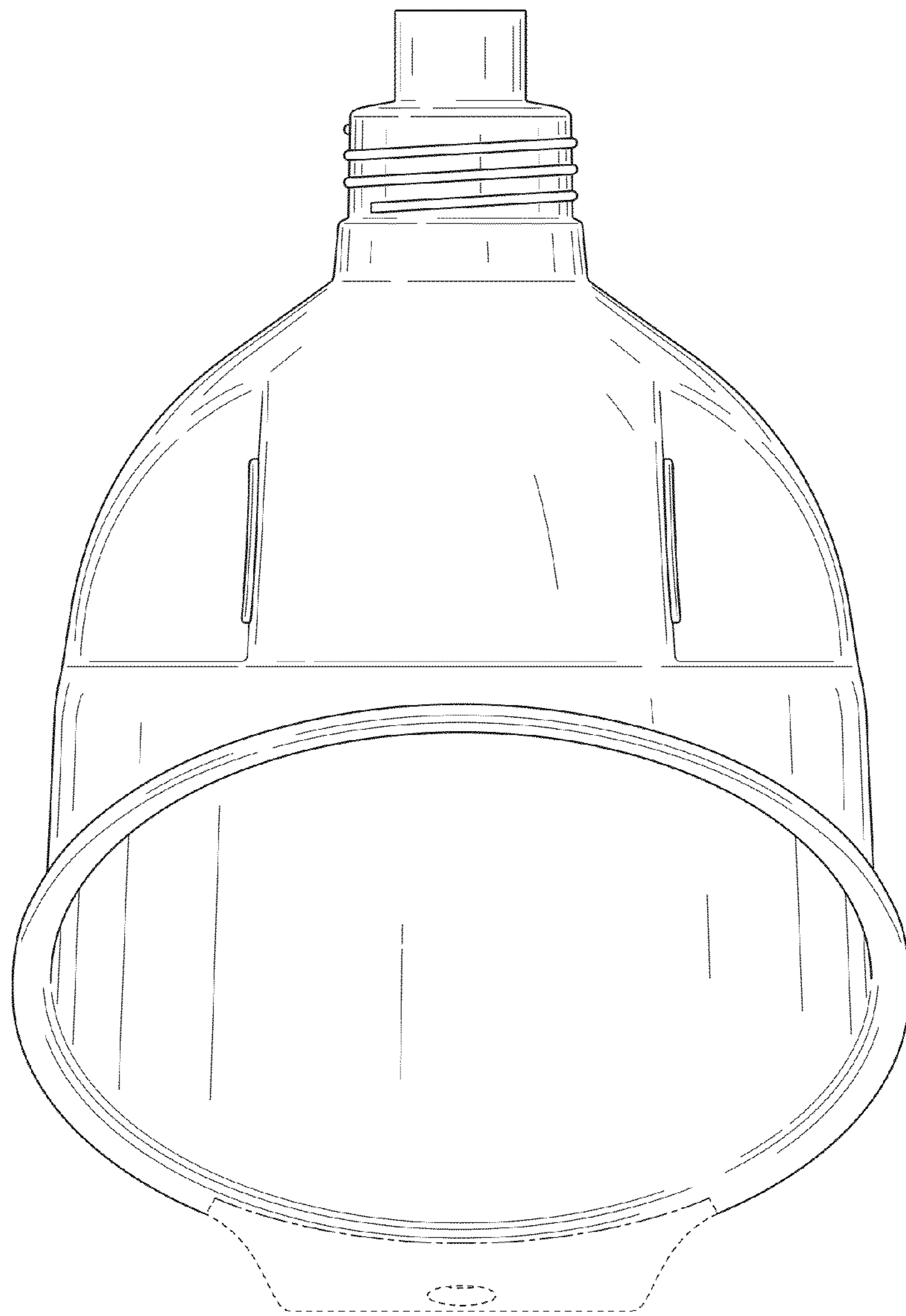


FIG. 3

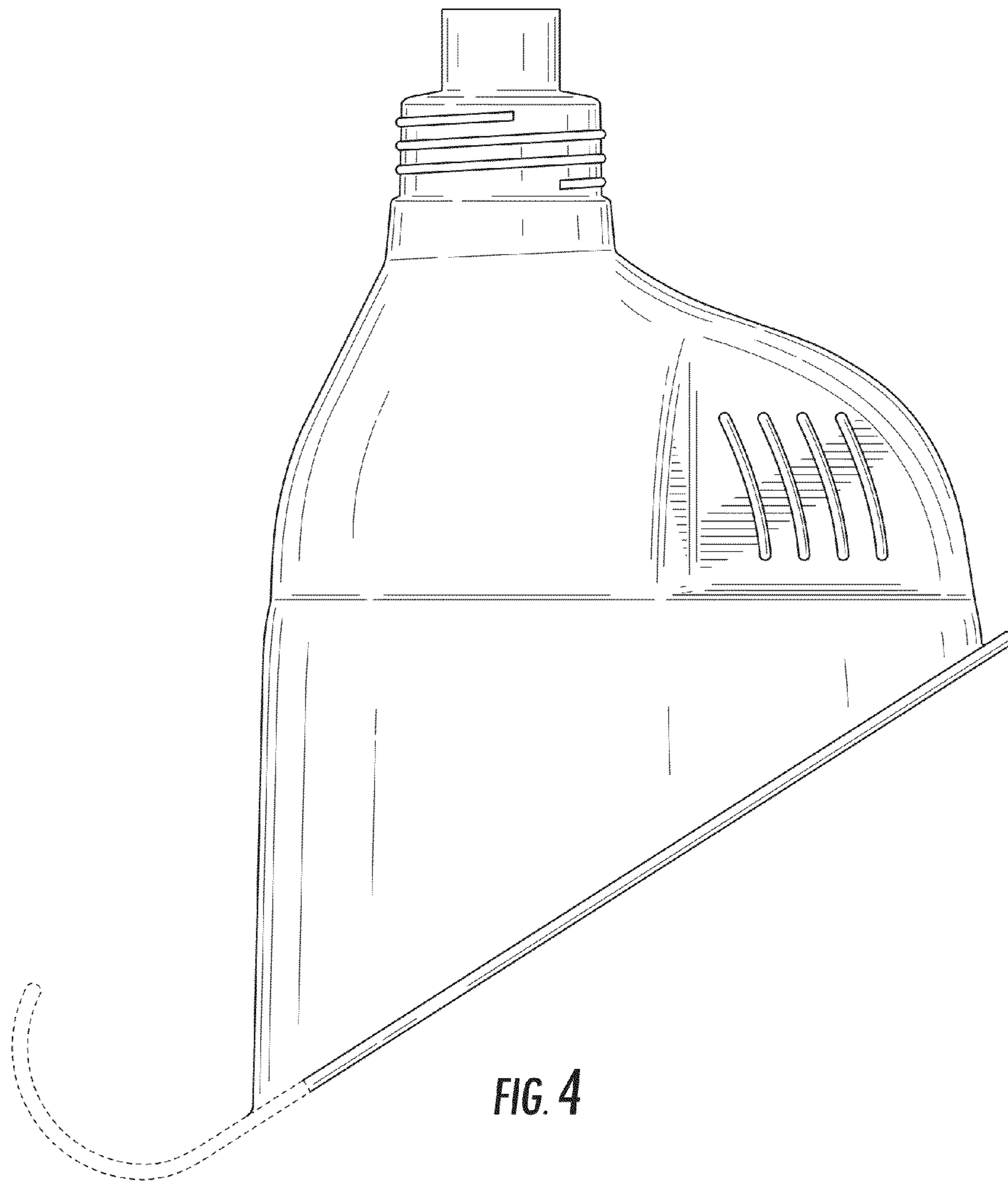


FIG. 4

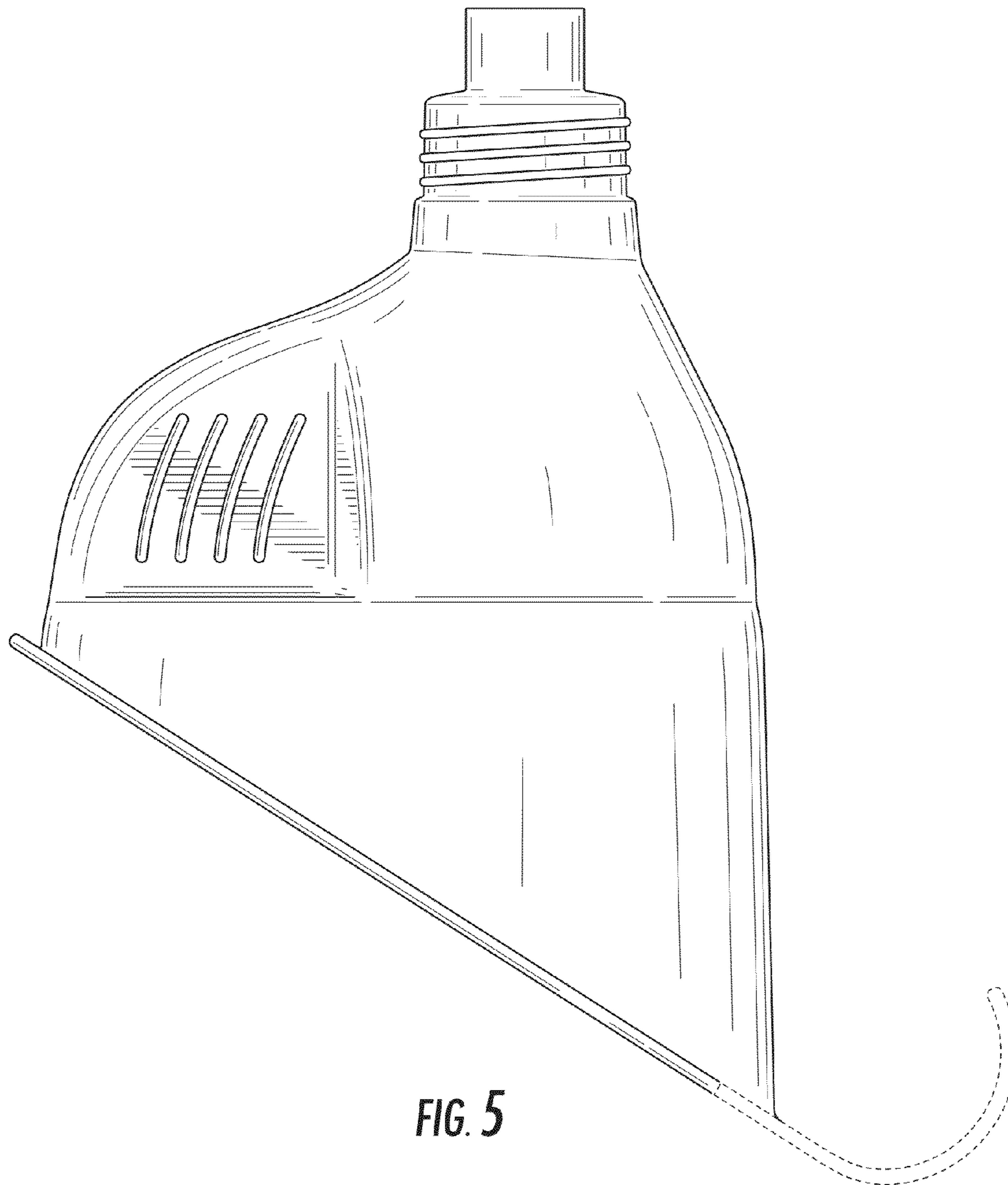


FIG. 5

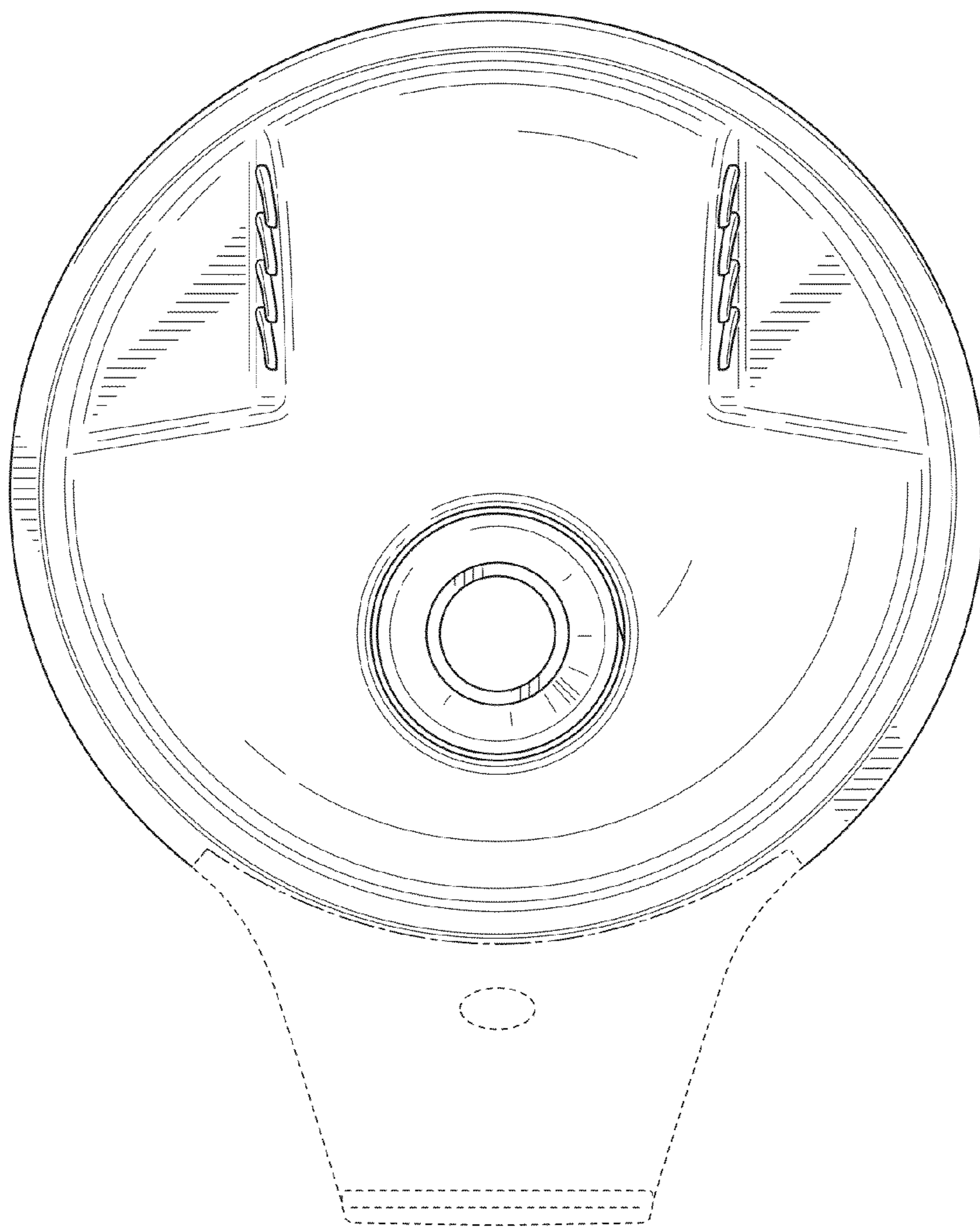
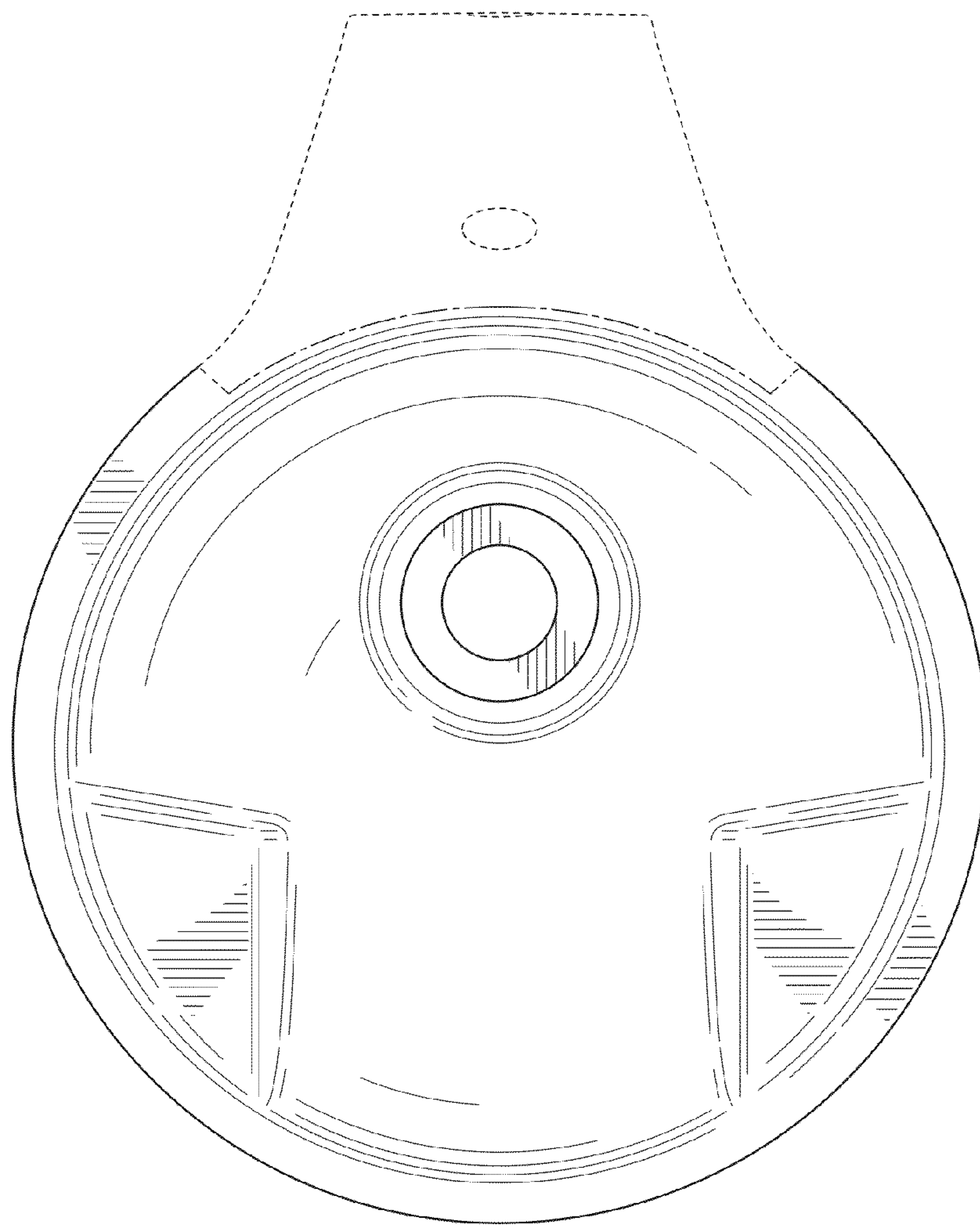


FIG. 6



**FIG. 7**