



US00D716906S

(12) **United States Design Patent**
Hebert

(10) **Patent No.:** **US D716,906 S**

(45) **Date of Patent:** **** Nov. 4, 2014**

(54) **CORNER MOUSE TRAP**

(56) **References Cited**

(71) Applicant: **Eric Michael Hebert**, Harrisburg, NC
(US)

(72) Inventor: **Eric Michael Hebert**, Harrisburg, NC
(US)

(73) Assignee: **Fairly Odd Treasures, LLC**,
Harrisburg, NC (US)

(**) Term: **14 Years**

(21) Appl. No.: **29/478,611**

(22) Filed: **Jan. 7, 2014**

(51) **LOC (10) Cl.** **22-06**

(52) **U.S. Cl.**
USPC **D22/119**

(58) **Field of Classification Search**
USPC D22/119-124; 43/58, 65-66, 69-70,
43/81, 81.5, 82-83, 83.5, 112-113, 131,
43/132.1

See application file for complete search history.

U.S. PATENT DOCUMENTS

D289,315	S	*	4/1987	Baker et al.	D22/119
4,660,320	A	*	4/1987	Baker et al.	43/131
D306,637	S	*	3/1990	Henderson	D22/119
5,040,327	A	*	8/1991	Stack et al.	43/131
D609,303	S	*	2/2010	Brandt et al.	D22/119
7,784,216	B2	*	8/2010	Kaukeinen et al.	43/131
D623,256	S	*	9/2010	Watson et al.	D22/119
D632,756	S	*	2/2011	Studer et al.	D22/119
D635,635	S	*	4/2011	Pryor	D22/119
8,505,234	B2	*	8/2013	Nelson et al.	43/67
D690,789	S	*	10/2013	Wauson	D22/119

* cited by examiner

Primary Examiner — Catheri Oliver-Garcia

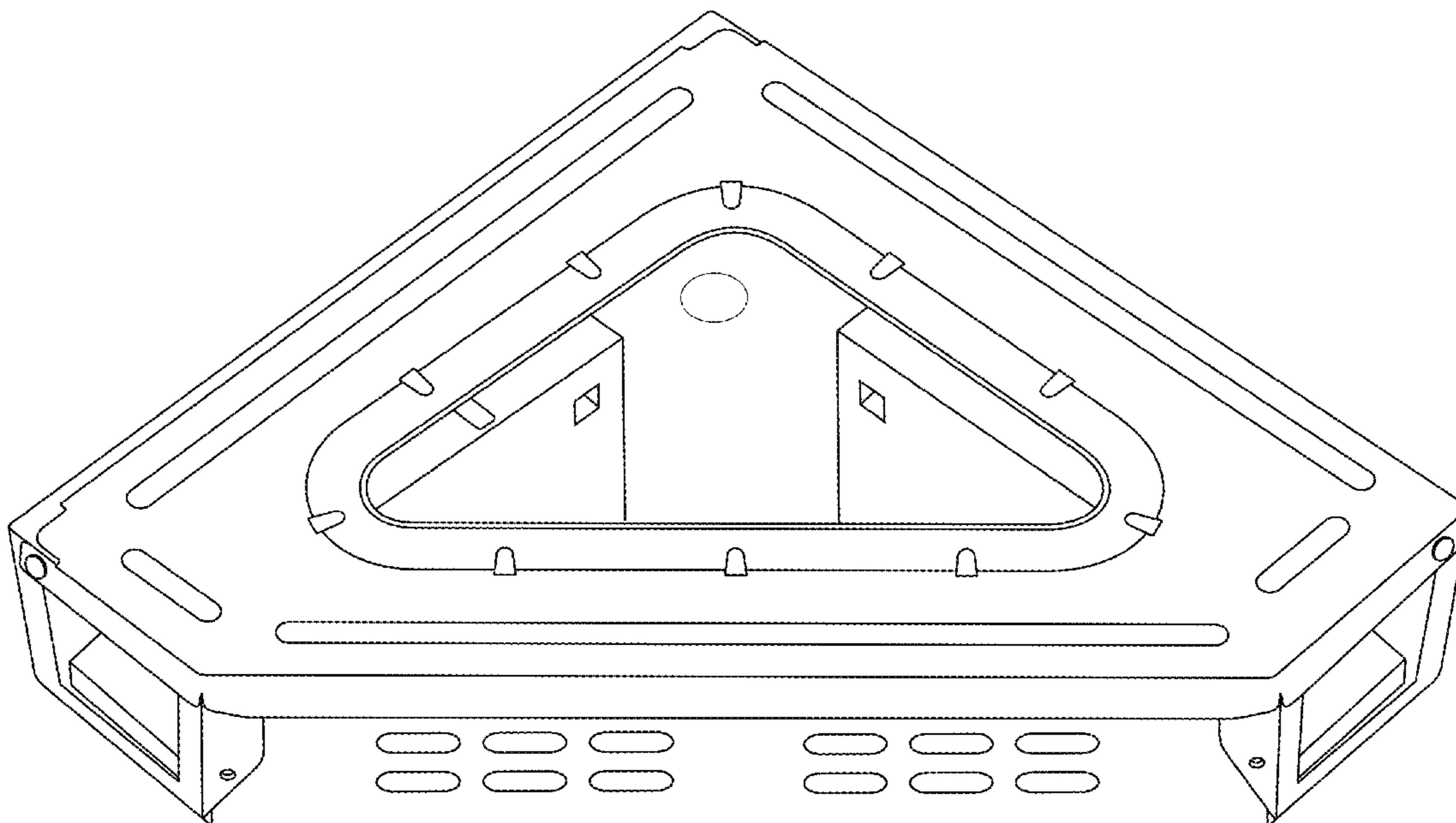
(57) **CLAIM**

The ornamental design for a corner mouse trap, as shown and described.

DESCRIPTION

FIG. 1 is a perspective view of a corner mouse trap showing my new design;
FIG. 2 is a top view thereof;
FIG. 3 is a bottom view thereof;
FIG. 4 is a left side view thereof;
FIG. 5 is a right side view thereof; and,
FIG. 6 is a front view thereof.

1 Claim, 5 Drawing Sheets



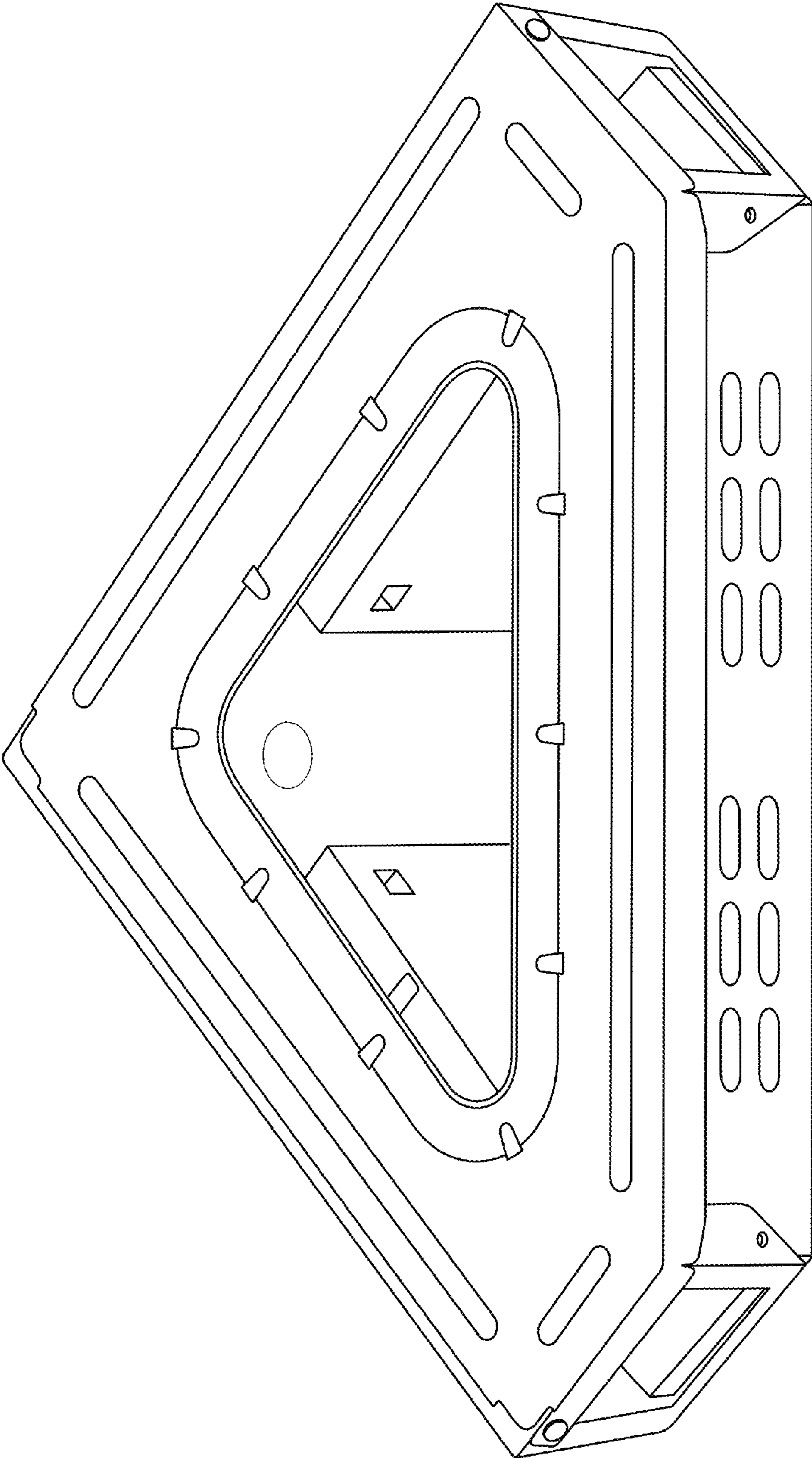


FIG. 1

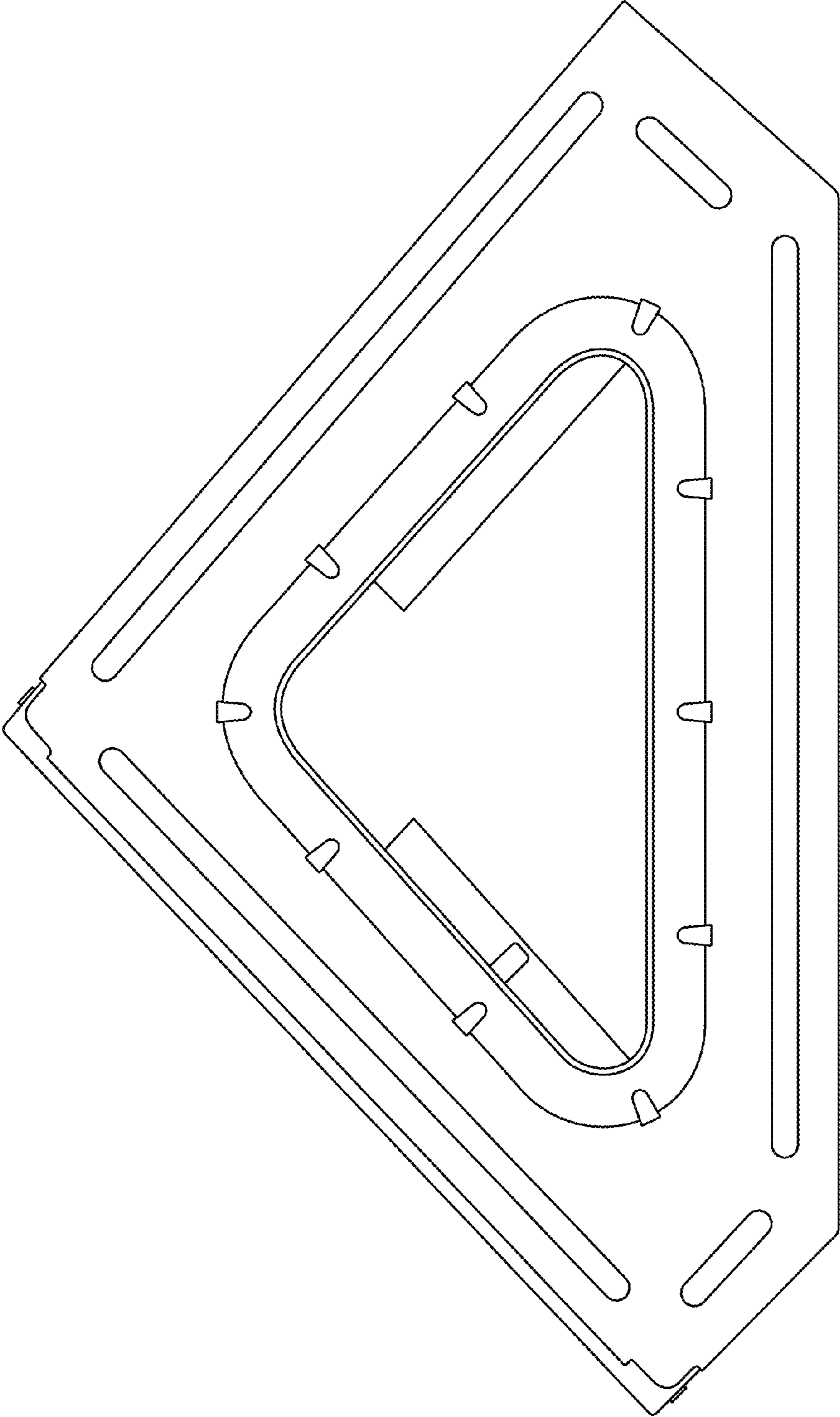


FIG. 2

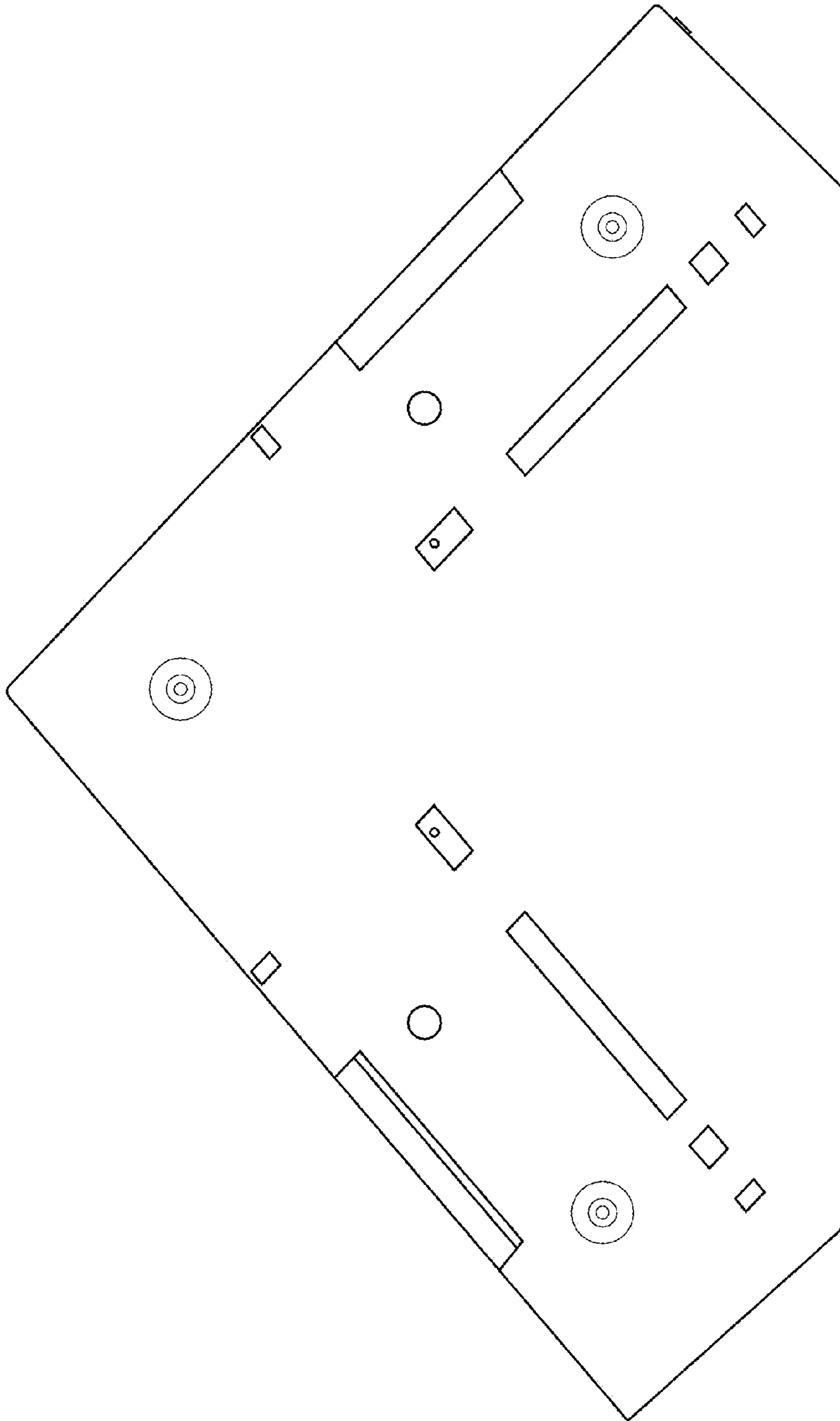


FIG. 3

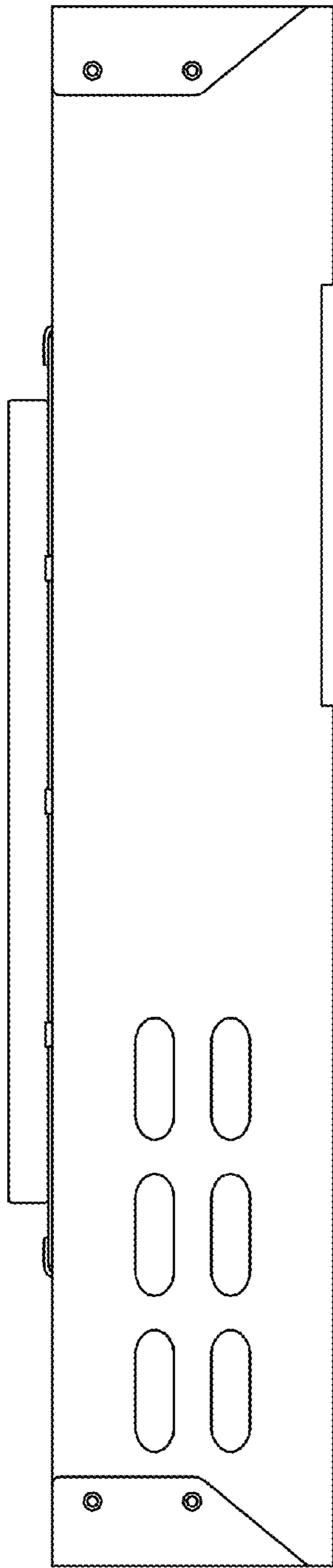


FIG. 4

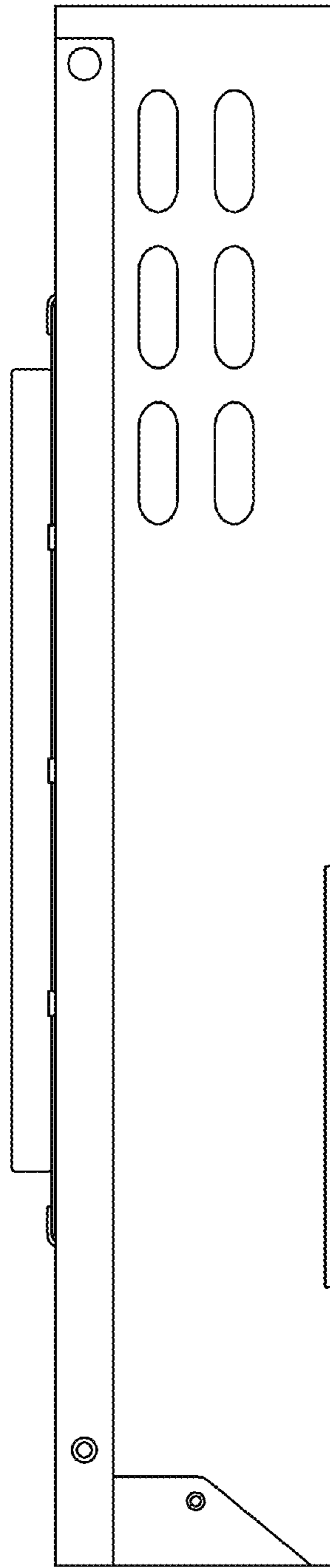


FIG. 5

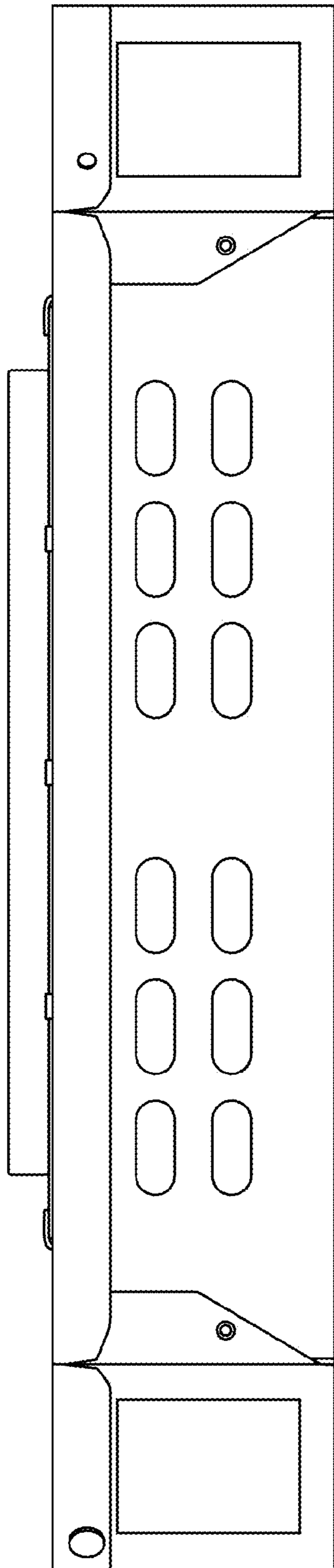


FIG. 6