



US00D716902S

(12) **United States Design Patent**
Nason

(10) **Patent No.:** **US D716,902 S**
(45) **Date of Patent:** **** *Nov. 4, 2014**

- (54) **AR 15 HANDGUARD SYSTEM**
- (75) Inventor: **John Paul Nason**, Tacoma, WA (US)
- (73) Assignee: **Aero Precision Inc.**, Tacoma, WA (US)
- (*) Notice: This patent is subject to a terminal disclaimer.
- (**) Term: **14 Years**
- (21) Appl. No.: **29/349,427**
- (22) Filed: **Mar. 31, 2010**
- (51) **LOC (10) Cl.** **22-01**
- (52) **U.S. Cl.**
USPC **D22/108**
- (58) **Field of Classification Search**
USPC D22/100, 101, 103, 104, 108, 199;
D21/572, 573; 42/51, 71.01, 75.01,
42/75.02, 90, 94, 134, 136, 139, 125, 72,
42/111; 362/110; 33/241, 277; 313/105 R;
89/40.06, 41.19, 37.04, 33.04, 191.01,
89/200-204; 124/67, 66, 72, 74
See application file for complete search history.

8,276,304	B2	10/2012	Samson et al.
D673,239	S	12/2012	Cheng
8,505,228	B2	8/2013	Cheng
2005/0241211	A1	11/2005	Swan
2005/0268513	A1	12/2005	Battaglia
2006/0010748	A1	1/2006	Stoner et al.
2006/0026883	A1	2/2006	Hochstrate et al.
2006/0236582	A1	10/2006	Lewis et al.
2007/0006509	A1	1/2007	DeSomma et al.
2007/0017139	A1	1/2007	Larue
2008/0092422	A1	4/2008	Daniel et al.
2010/0154280	A1	6/2010	Lafrance et al.
2010/0236395	A1*	9/2010	Akhavan 89/179

* cited by examiner

Primary Examiner — Michael A Pratt

(74) *Attorney, Agent, or Firm* — Lowe Graham Jones PLLC

(57) **CLAIM**

The ornamental design for an AR 15 handguard system, as shown and described.

DESCRIPTION

FIG. 1 is a front left perspective view of my AR 15 handguard system including an attached AR 15 firearm in phantom for environmental purposes.

FIG. 2 is a front left perspective view thereof.

FIG. 3 is a left elevational view thereof.

FIG. 4 is a top plan view thereof.

FIG. 5 is a rear elevational view thereof.

FIG. 6 is a front elevational view thereof.

FIG. 7 is a right elevational view thereof; and,

FIG. 8 is a bottom plan view thereof.

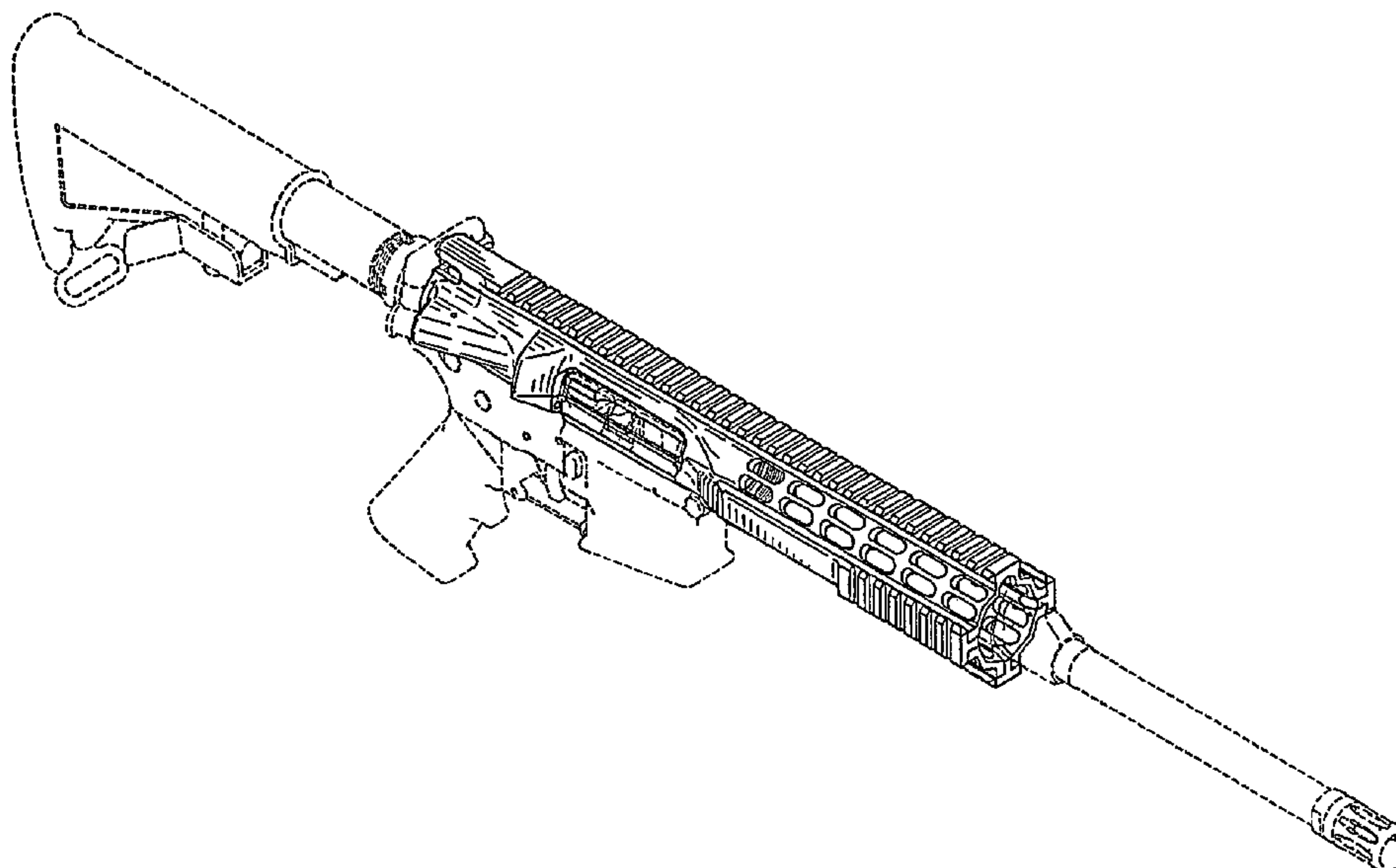
The portions of the design shown in phantom lines are for environmental purposes only and form no part of the claimed invention.

1 Claim, 7 Drawing Sheets

(56) **References Cited**

U.S. PATENT DOCUMENTS

4,536,982	A	8/1985	Bredbury et al.
4,663,875	A	5/1987	Tatro
5,198,600	A	3/1993	E'Nama
7,231,861	B1*	6/2007	Gauny et al. 89/1.4
7,669,359	B2	3/2010	Kim
7,753,679	B1*	7/2010	Schuetz 434/16
7,798,045	B1*	9/2010	Fitzpatrick et al. 89/1.4
D639,376	S	6/2011	Ding
D644,294	S	8/2011	Clary
8,020,334	B2	9/2011	Delmonico



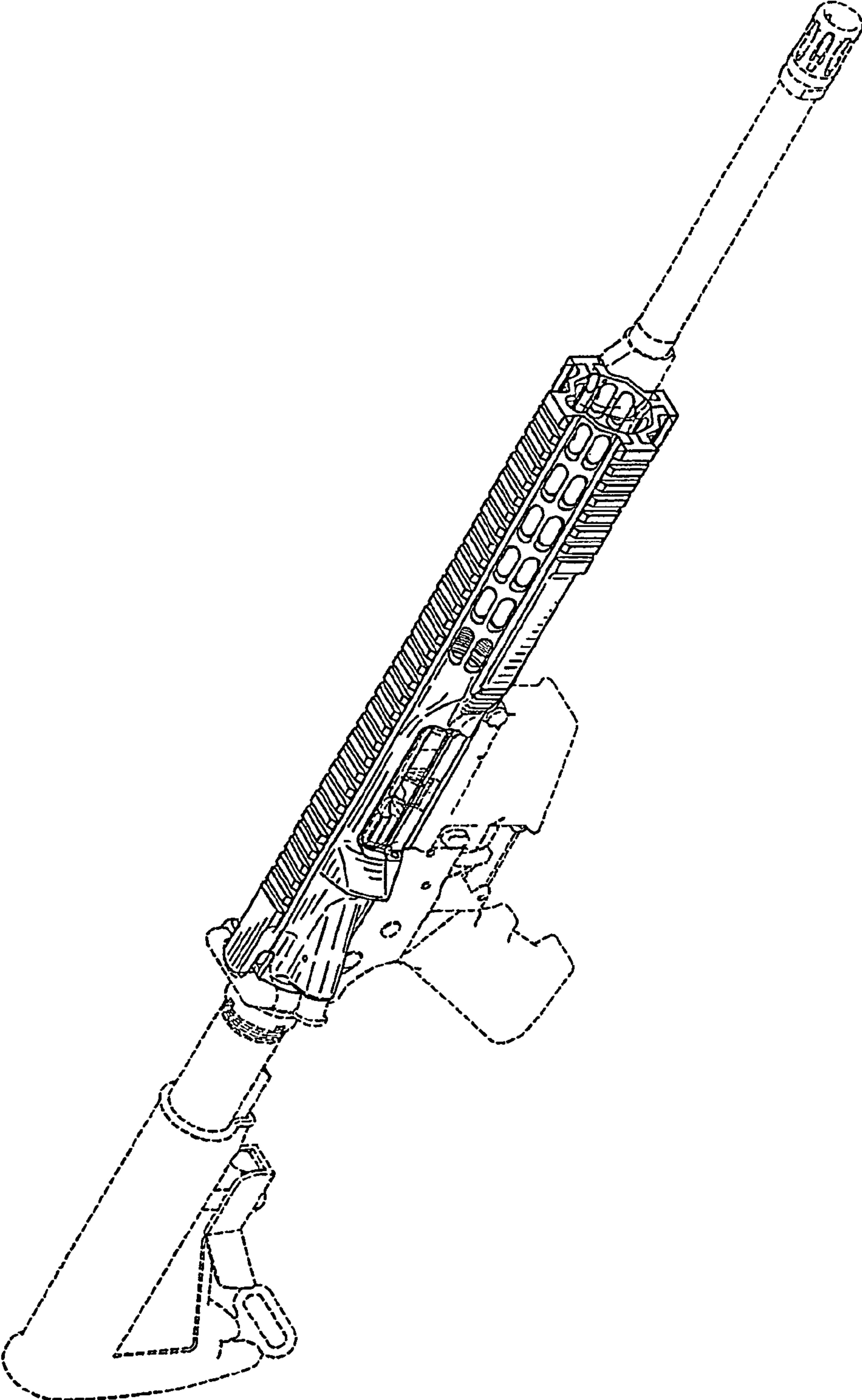


FIG. 1

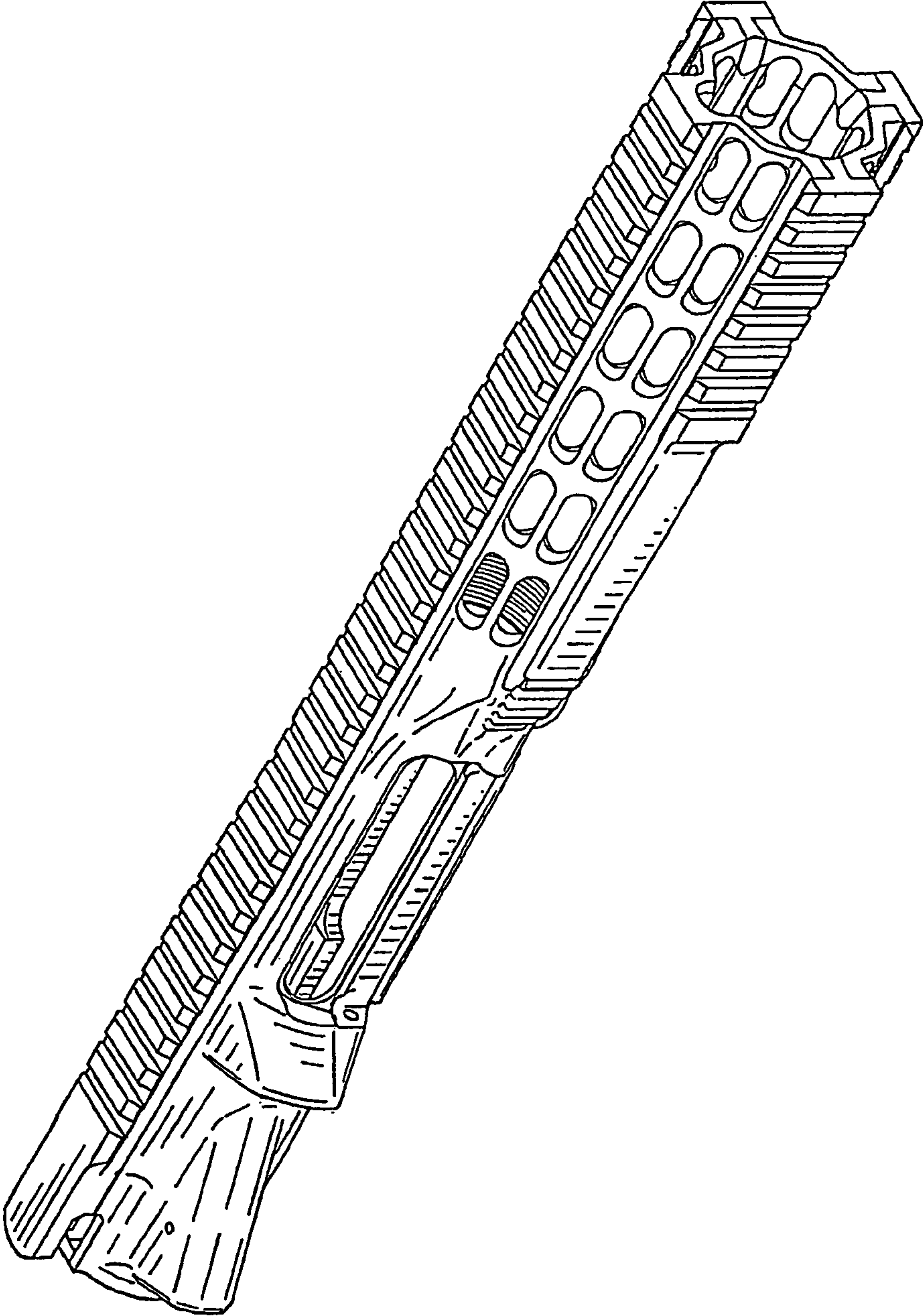


FIG.2

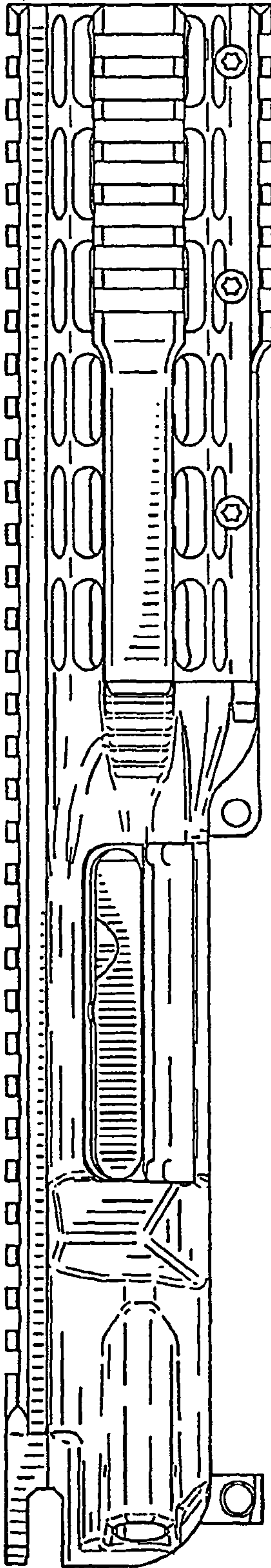


FIG. 3

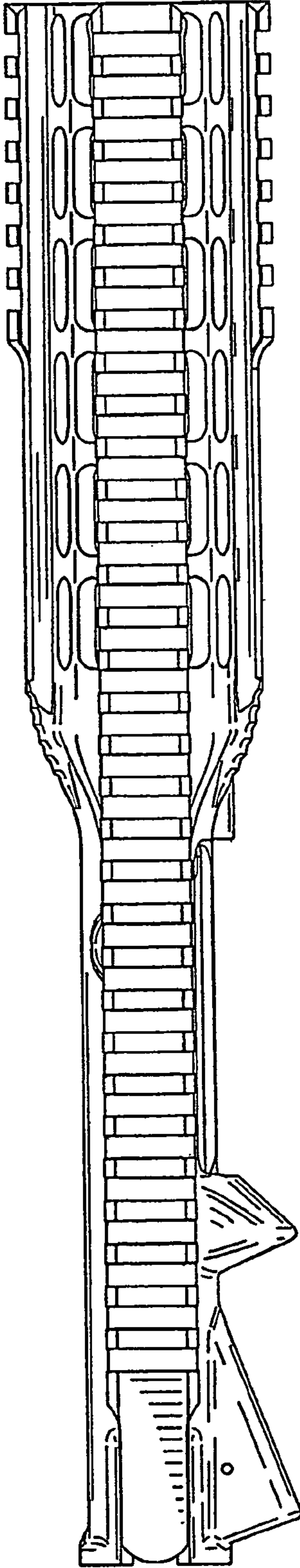


FIG.4

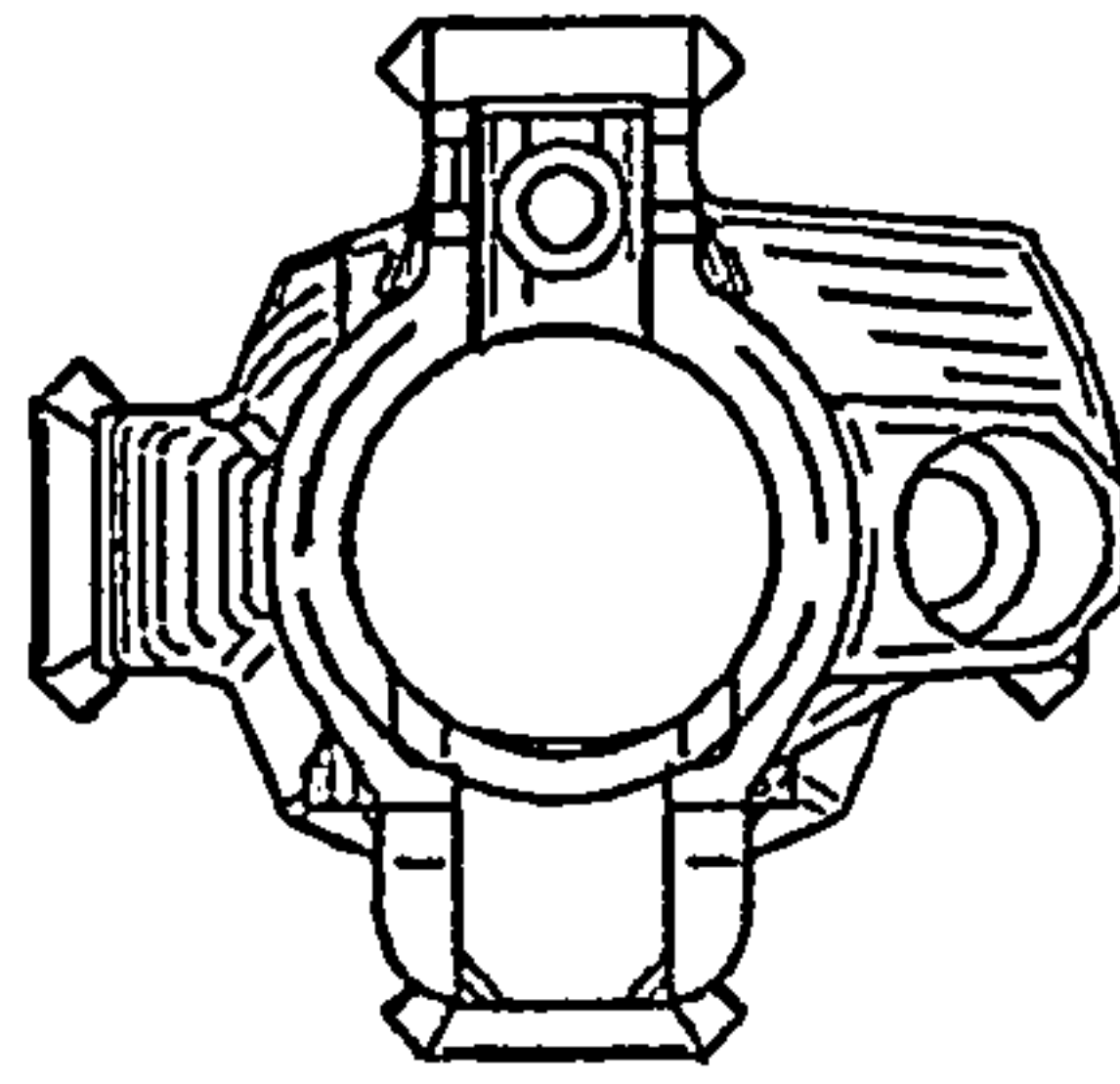


FIG. 5

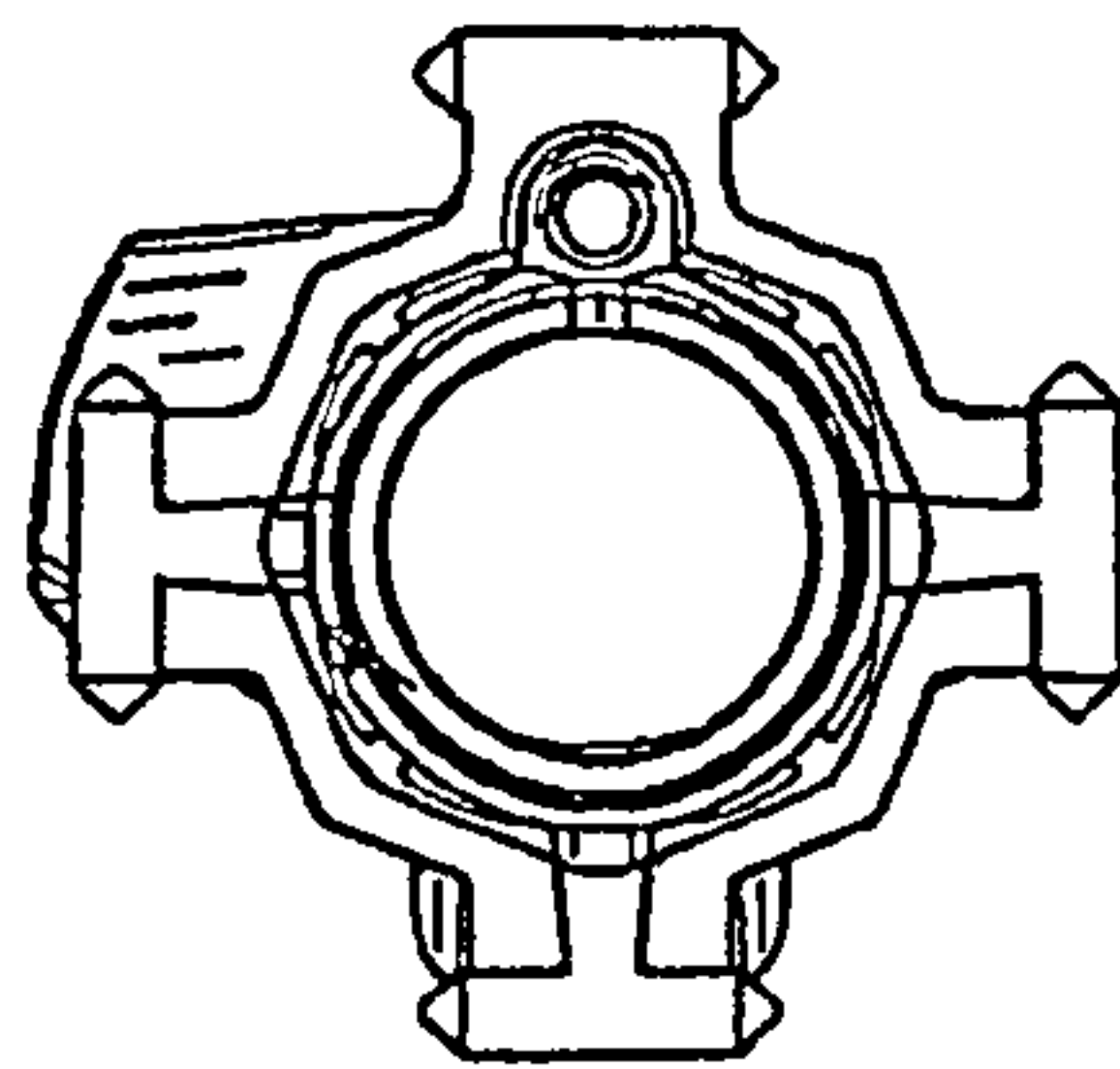


FIG. 6

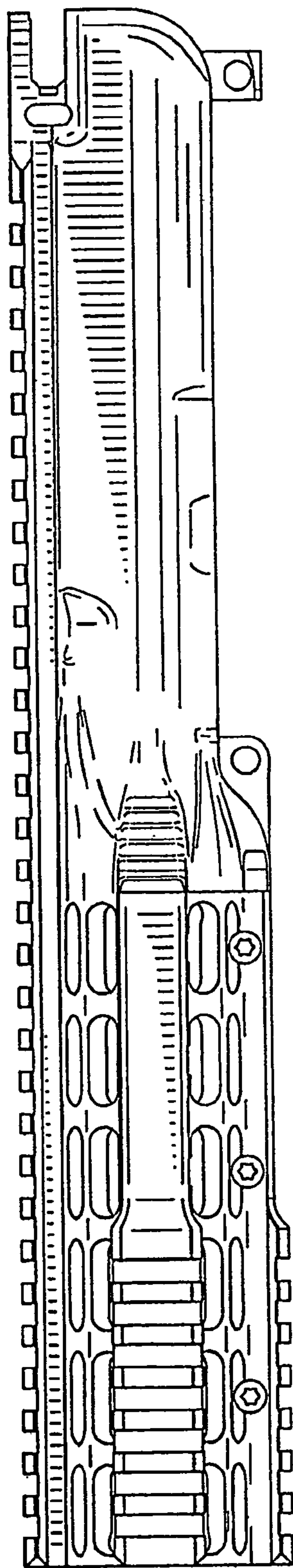


FIG. 7

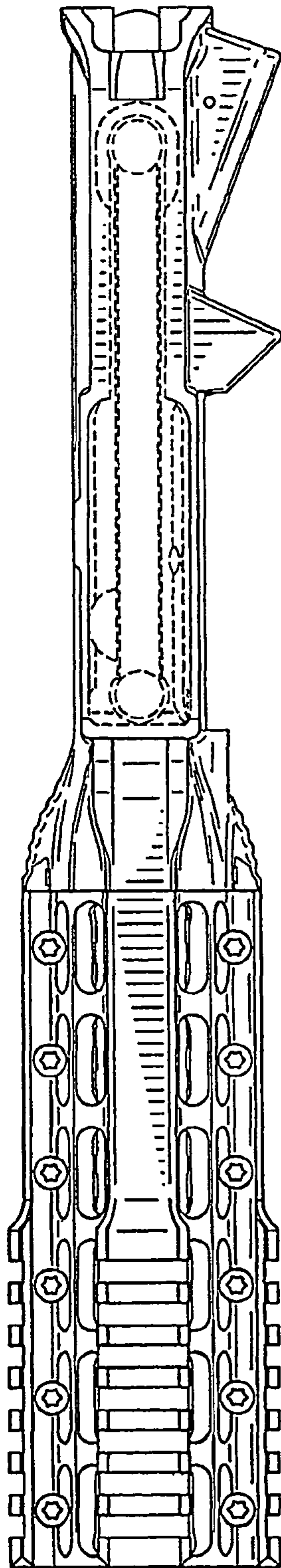


FIG. 8