



US00D716900S

(12) **United States Design Patent**
Boretto

(10) **Patent No.:** **US D716,900 S**

(45) **Date of Patent:** **** Nov. 4, 2014**

(54) **NOCK RECEIVER**

(75) Inventor: **Tod Douglas Boretto**, Poway, CA (US)

(73) Assignee: **Aldila Golf Corp.**

(**) Term: **14 Years**

(21) Appl. No.: **29/430,557**

(22) Filed: **Aug. 27, 2012**

(51) **LOC (10) Cl.** **22-01**

(52) **U.S. Cl.**
USPC **D22/107**

(58) **Field of Classification Search**
USPC D22/107; 33/265; 42/86-88, 136-139,
42/145; D1/100, 127-130, 199;
D11/10-11, 26-28, 40-43, 75, 89-93;
D28/8.1; D21/386; D24/100-101;
119/702, 707-711

See application file for complete search history.

(56) **References Cited**

U.S. PATENT DOCUMENTS

4,210,330 A * 7/1980 Kosbab 473/584
4,706,965 A * 11/1987 Schaar 473/578
5,053,004 A * 10/1991 Markel et al. 604/43

5,516,117 A * 5/1996 Rangel 473/578
6,213,114 B1 * 4/2001 Burkhart 124/91
7,270,618 B2 * 9/2007 Palomaki et al. 473/578
7,374,504 B2 * 5/2008 Palomaki et al. 473/578
7,578,801 B2 * 8/2009 Weststrate et al. 604/104
8,057,330 B2 * 11/2011 Blosser et al. 473/582
8,230,748 B2 * 7/2012 Wang et al. 73/856
8,496,548 B2 * 7/2013 Connolly et al. 473/578
2013/0264738 A1 * 10/2013 Boretto et al. 264/138

* cited by examiner

Primary Examiner — Michael A Pratt

(74) *Attorney, Agent, or Firm* — Gary L. Eastman, Esq.

(57) **CLAIM**

The ornamental design for a nock receiver, as shown and described.

DESCRIPTION

FIG. 1 is a back perspective view of the nock receiver showing my new design;

FIG. 2 is a front perspective view of the nock receiver;

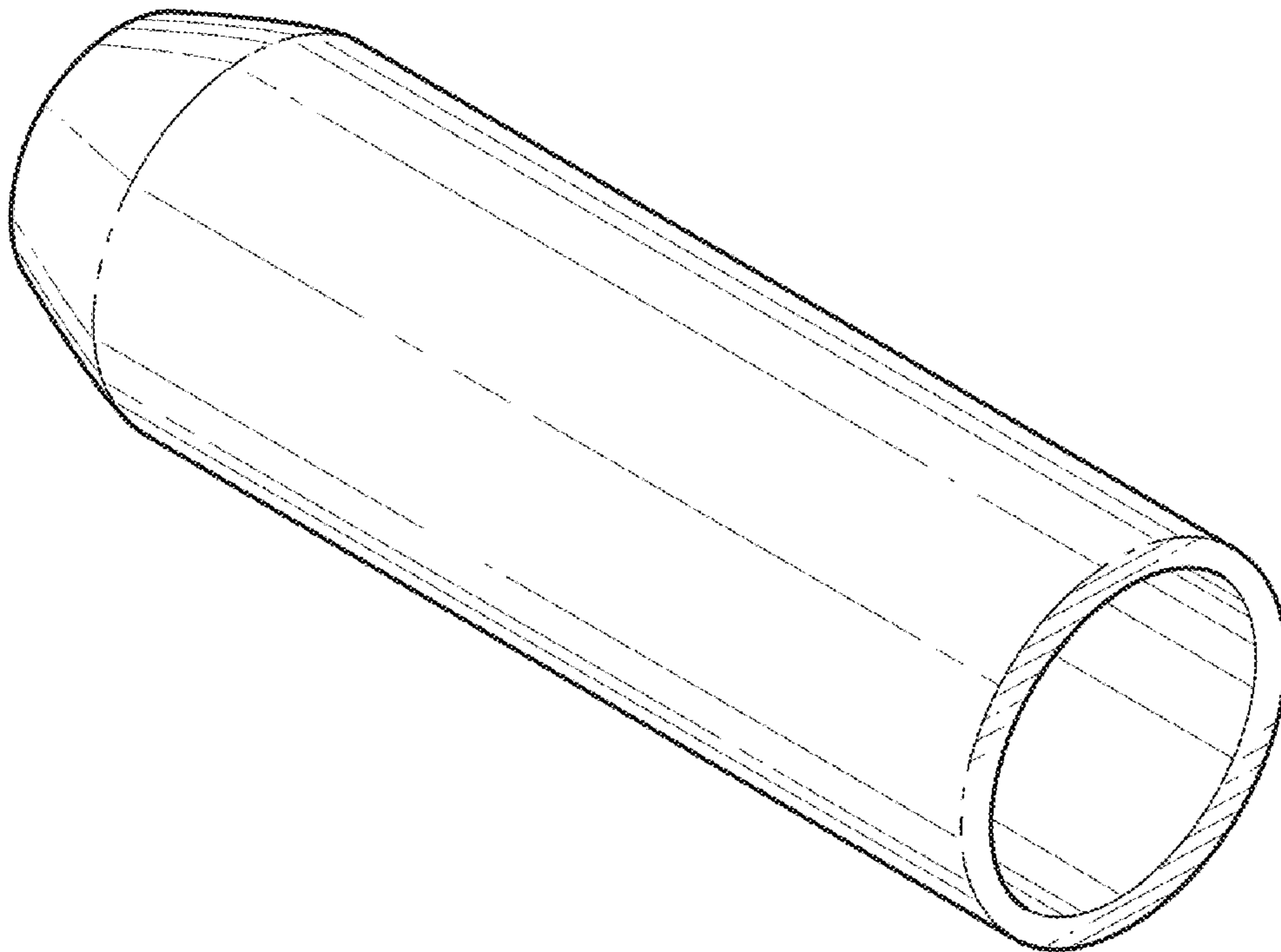
FIG. 3 is a left side view of the nock receiver;

FIG. 4 is a front view of the nock receiver; and,

FIG. 5 is a back view of the nock receiver.

The right side view, top view and bottom view are the same as FIG. 3.

1 Claim, 2 Drawing Sheets



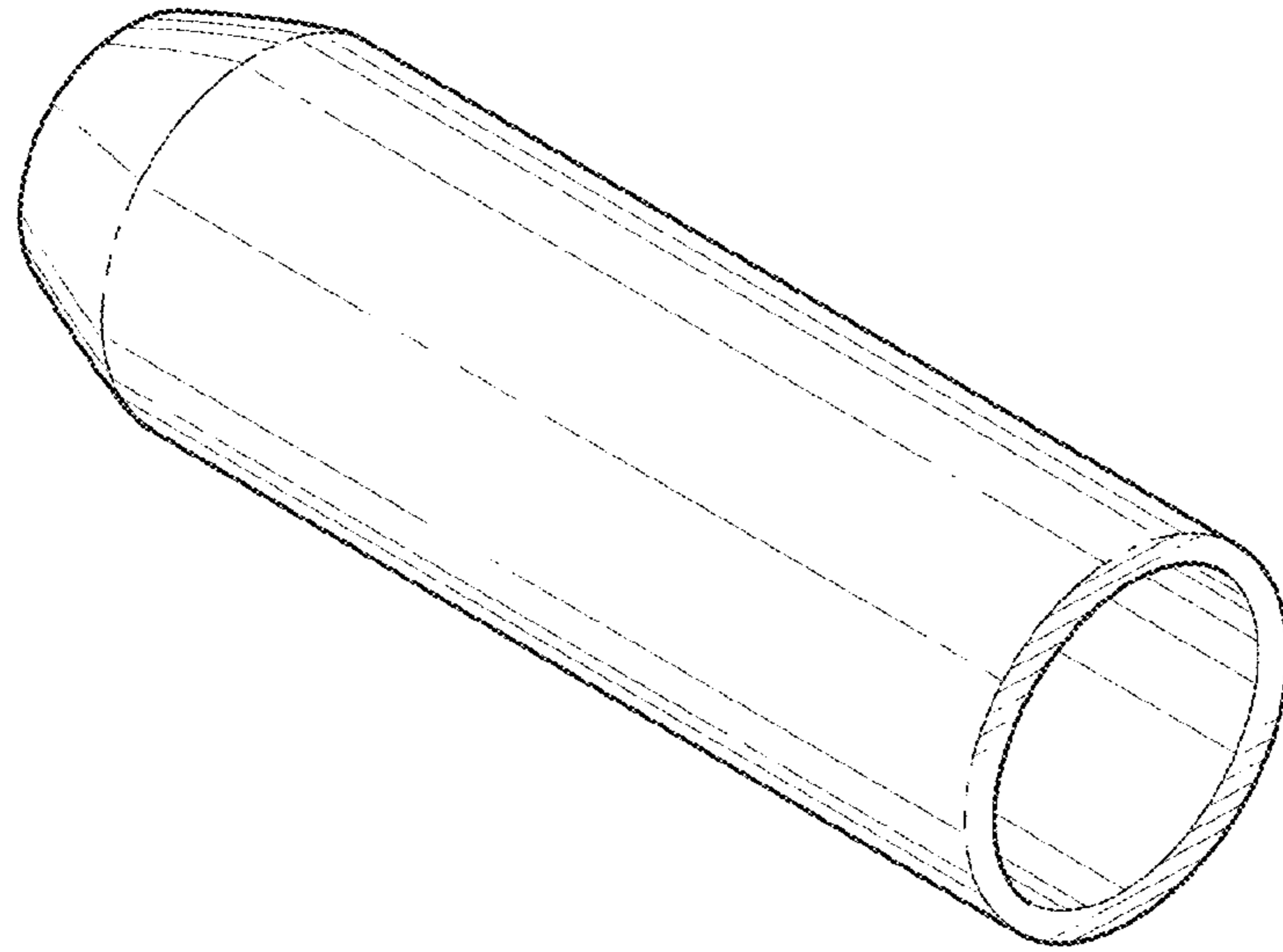


FIG. 1

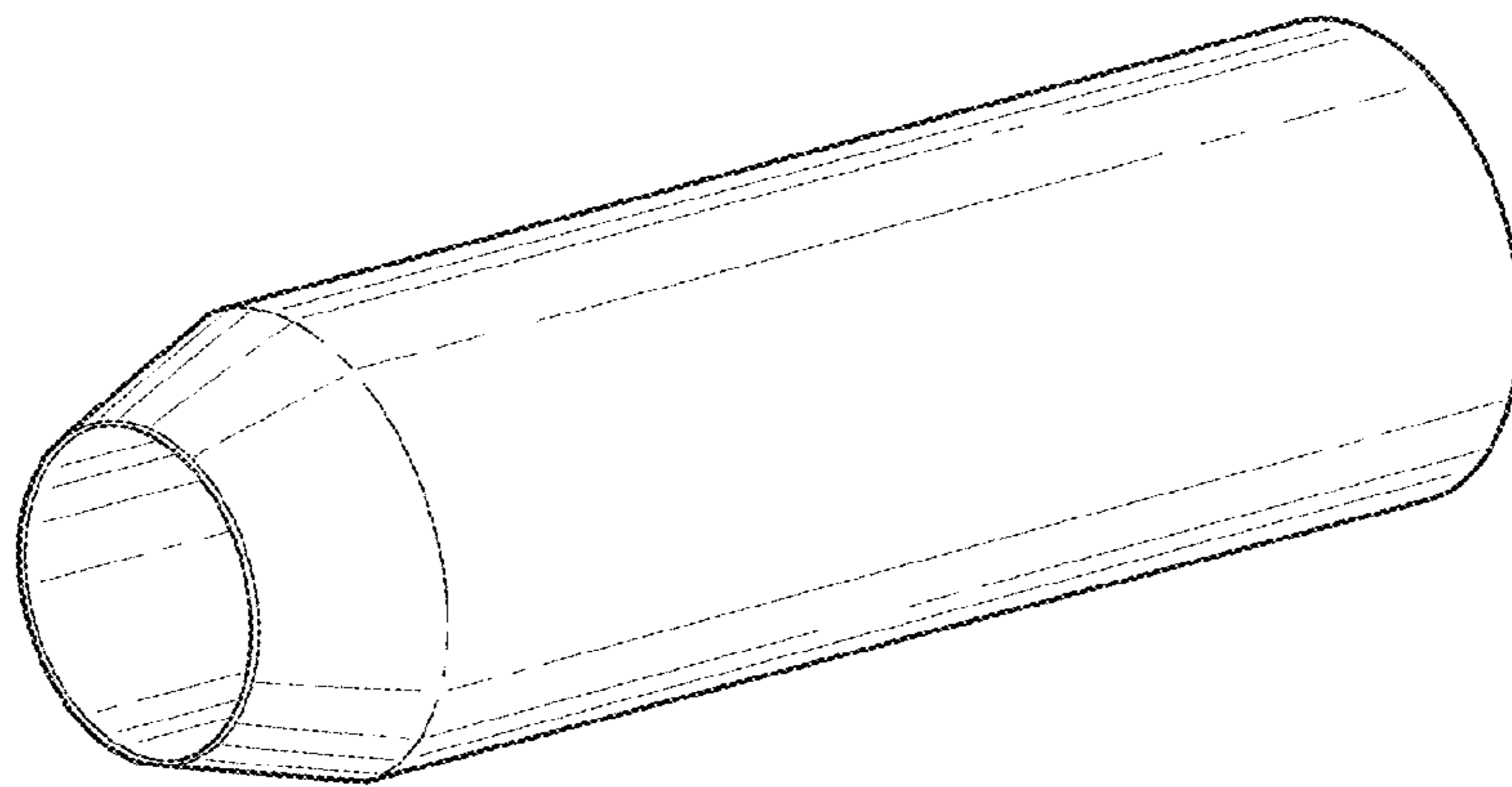


FIG. 2

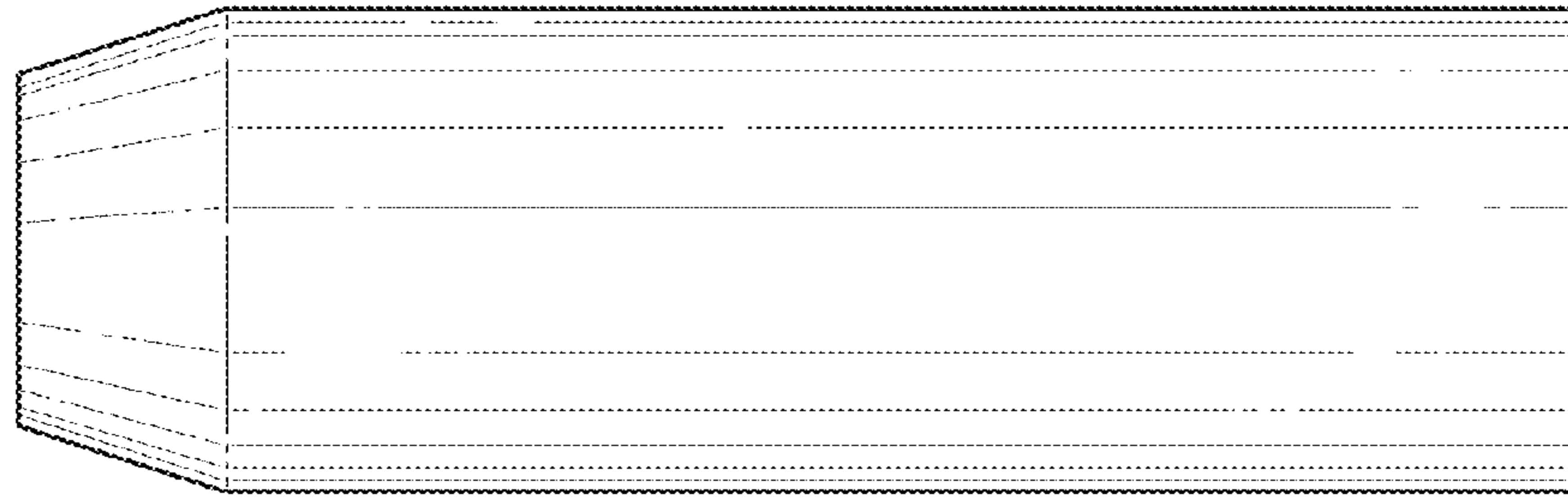


FIG. 3

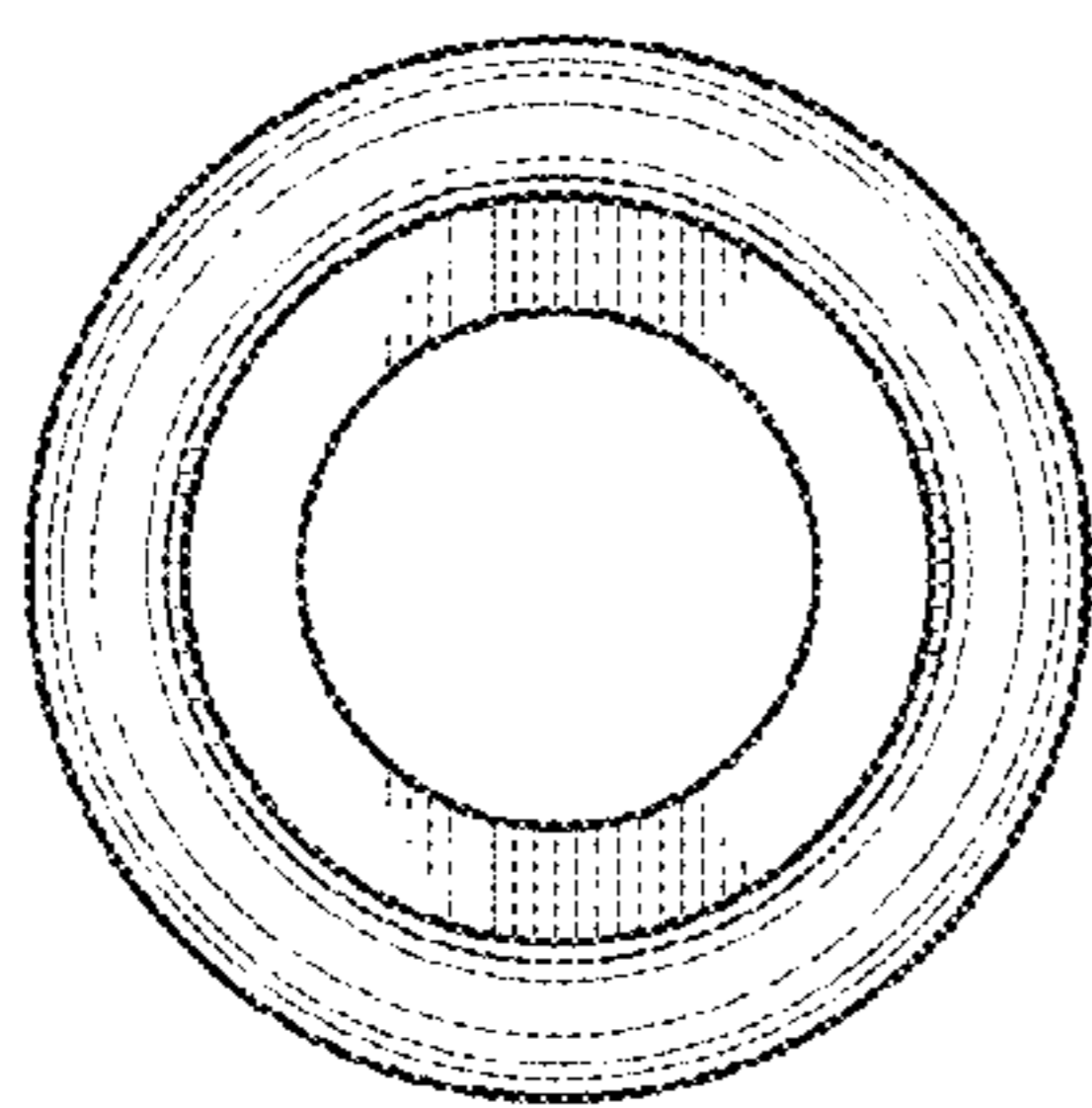


FIG. 4

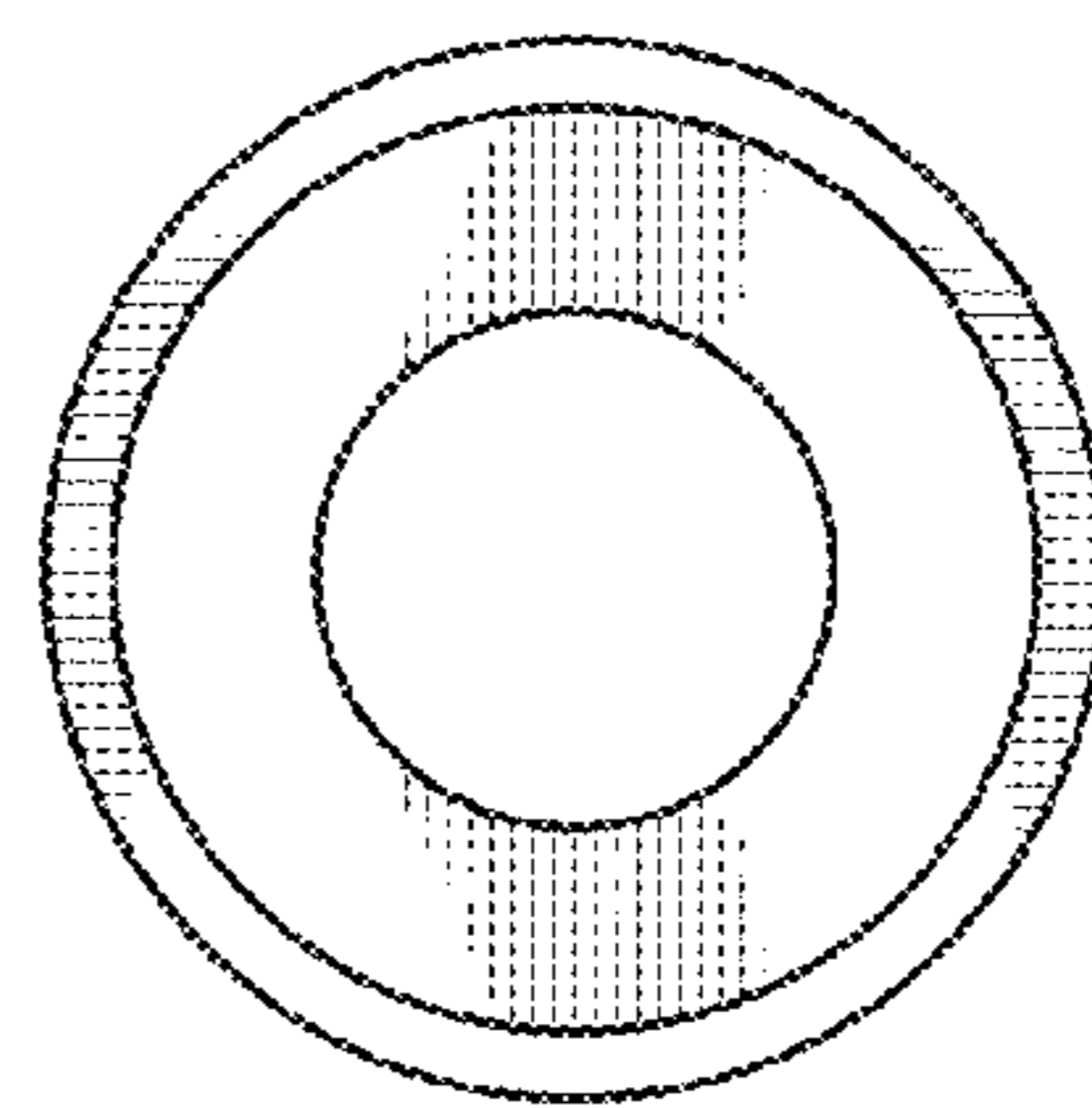


FIG. 5