



US00D716897S

(12) **United States Design Patent**  
**Anastasia**

(10) **Patent No.:** **US D716,897 S**

(45) **Date of Patent:** **\*\* Nov. 4, 2014**

(54) **WATER RAMP**

(71) Applicant: **Super Sweet Air, Inc.**, Austin, TX (US)

(72) Inventor: **Mark Anastasia**, Orlando, FL (US)

(73) Assignee: **Super Sweet Air, Inc.**, Austin, TX (US)

(\*\*) Term: **14 Years**

(21) Appl. No.: **29/477,281**

(22) Filed: **Dec. 20, 2013**

(51) **LOC (10) Cl.** ..... **21-03**

(52) **U.S. Cl.**  
USPC ..... **D21/811**

(58) **Field of Classification Search**  
CPC ..... A63G 3/04; A63G 31/007; B63B 43/14  
USPC ..... D21/811, 814, 817-822, 826, 827, 835;  
472/116-117; 482/35-36; 14/69.2,  
14/71.1

See application file for complete search history.

(56) **References Cited**

**U.S. PATENT DOCUMENTS**

4,538,314	A *	9/1985	Baranowski	.....	14/71.1
D308,563	S *	6/1990	Knight	.....	D21/819
5,025,747	A *	6/1991	Grayson	.....	114/362
D340,099	S *	10/1993	Warren et al.	.....	D21/818
6,502,631	B1 *	1/2003	Fitzgibbon	.....	166/63
D472,292	S *	3/2003	Peterson	.....	D21/818
6,648,767	B1 *	11/2003	Chen	.....	472/117

6,793,039	B2 *	9/2004	Schmid, Jr.	.....	182/84
D514,652	S *	2/2006	Auberger	.....	D21/818
D522,082	S *	5/2006	Peterson	.....	D21/818
D595,801	S *	7/2009	Boulton et al.	.....	D21/819
D597,163	S *	7/2009	Boulton et al.	.....	D21/819
D597,624	S *	8/2009	Boulton et al.	.....	D21/819
D600,769	S *	9/2009	Xiao	.....	D21/820
D600,770	S *	9/2009	Xiao	.....	D21/820
D639,887	S *	6/2011	Cirjak et al.	.....	D21/818
8,047,926	B2 *	11/2011	Chen	.....	472/134
D702,790	S *	4/2014	Cirjak et al.	.....	D21/818

\* cited by examiner

*Primary Examiner* — Mitchell Siegel

(74) *Attorney, Agent, or Firm* — DuBois, Bryant & Campbell LLP; William D. Wiese

(57) **CLAIM**

The ornamental design for water ramp, substantially as shown and described.

**DESCRIPTION**

FIG. 1 is top, right, front perspective view of the water ramp in accordance with the present invention;

FIG. 2 is a right side view thereof;

FIG. 3 is a left side view thereof;

FIG. 4 is a front view thereof;

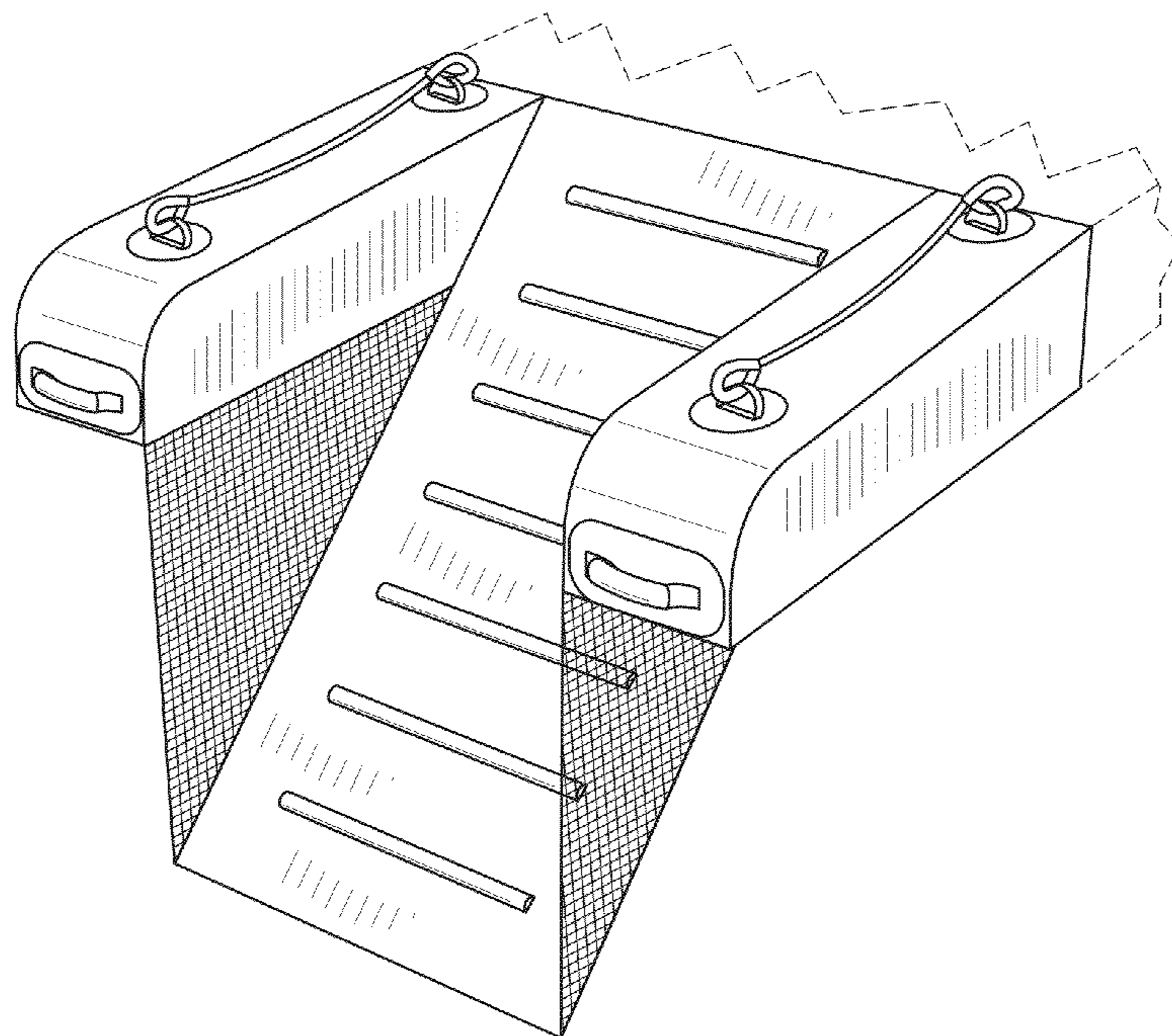
FIG. 5 is a back view thereof;

FIG. 6 is a top view thereof; and,

FIG. 7 is a bottom view thereof.

The broken line showing is included for the purpose of illustrating and forms no part of the claimed design.

**1 Claim, 7 Drawing Sheets**



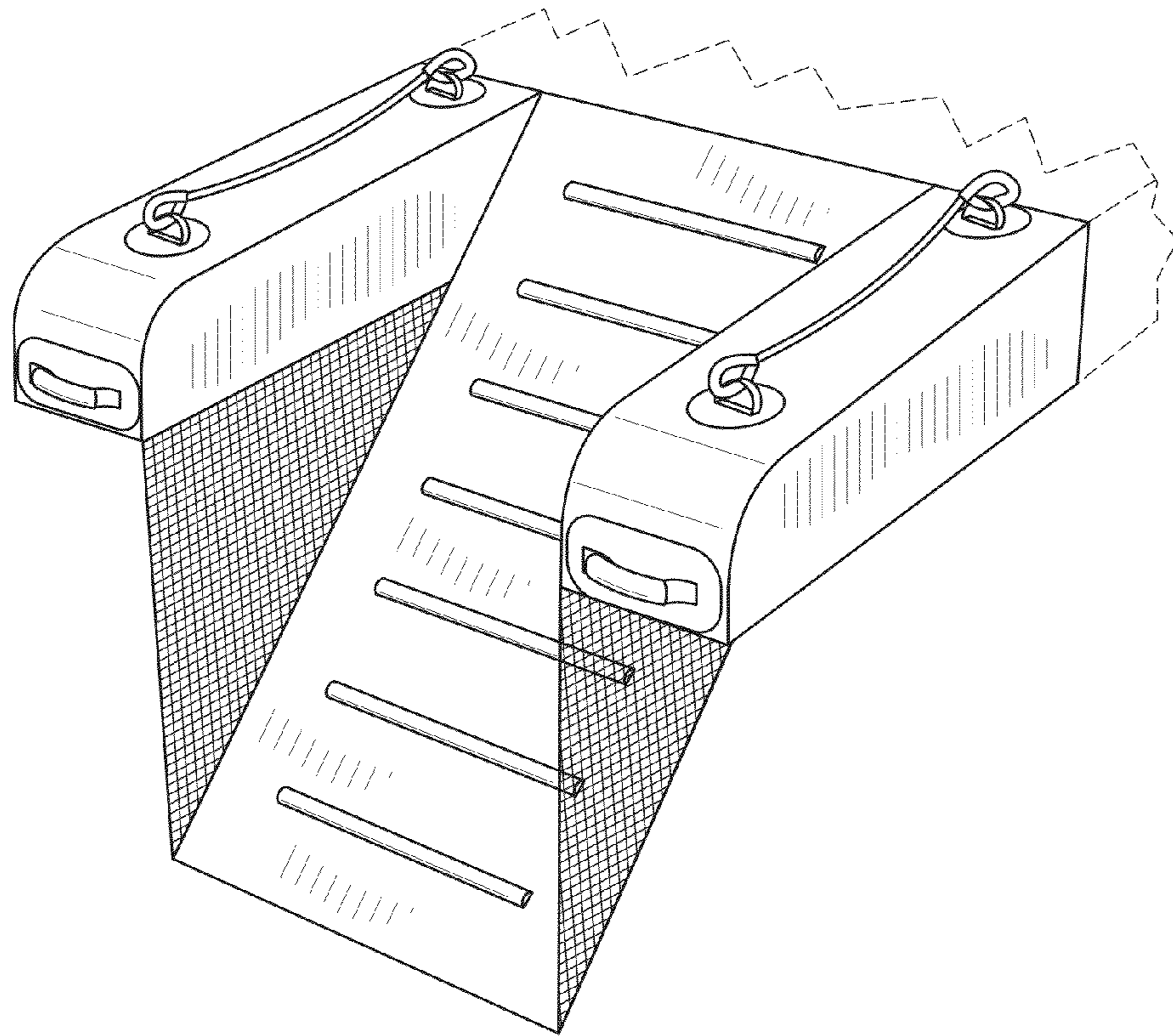
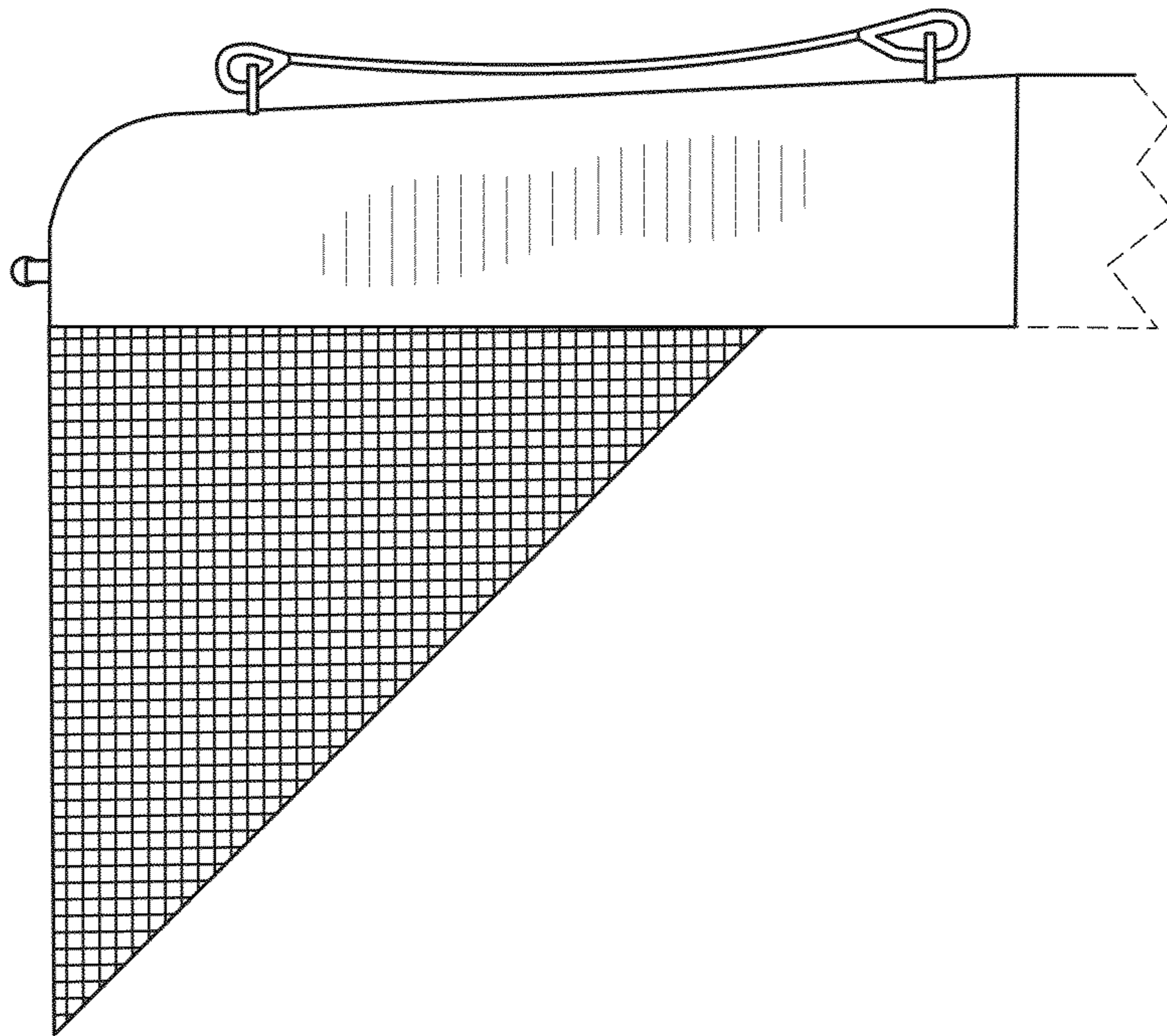
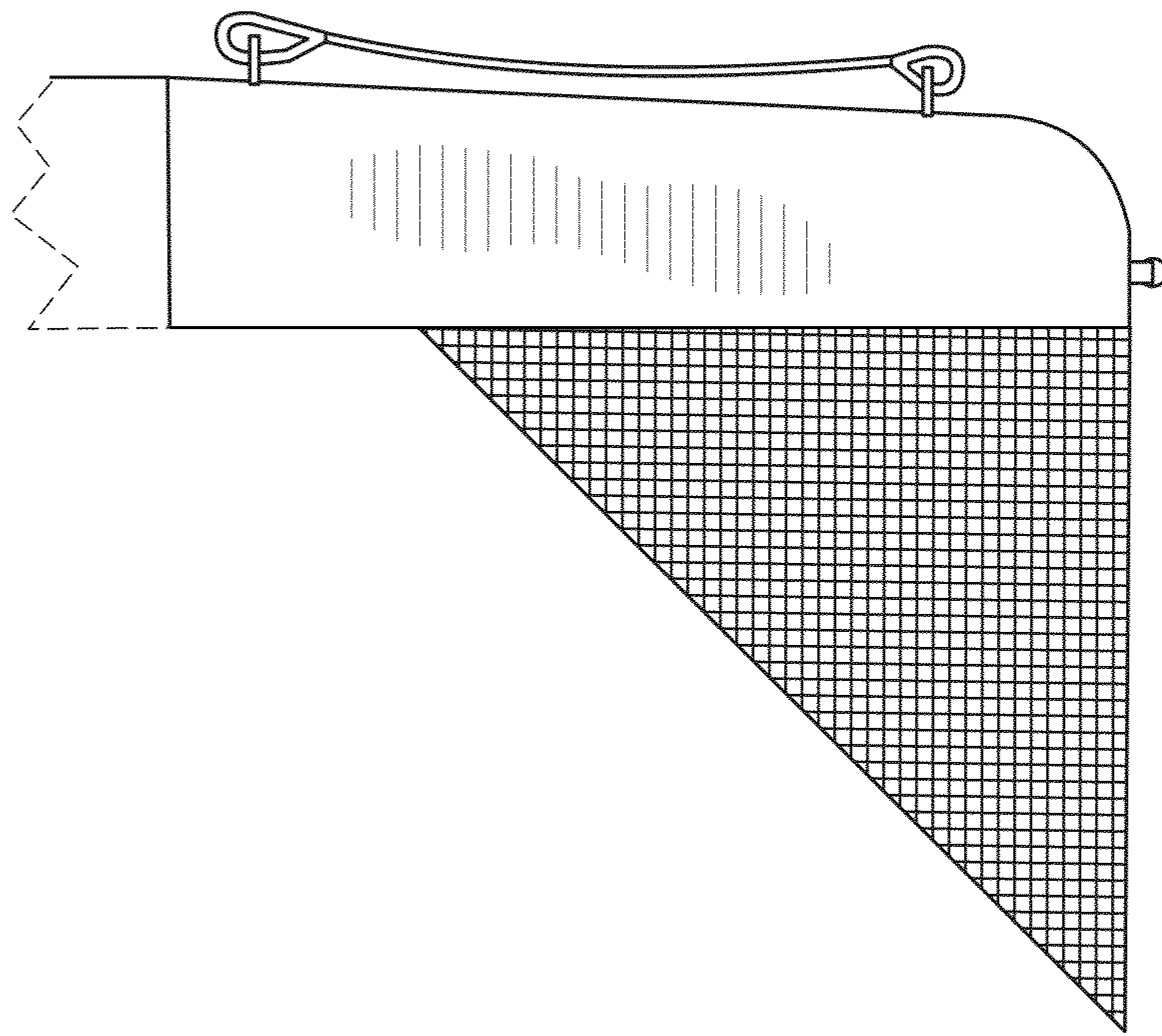


FIG. 1



*FIG. 2*



*FIG. 3*

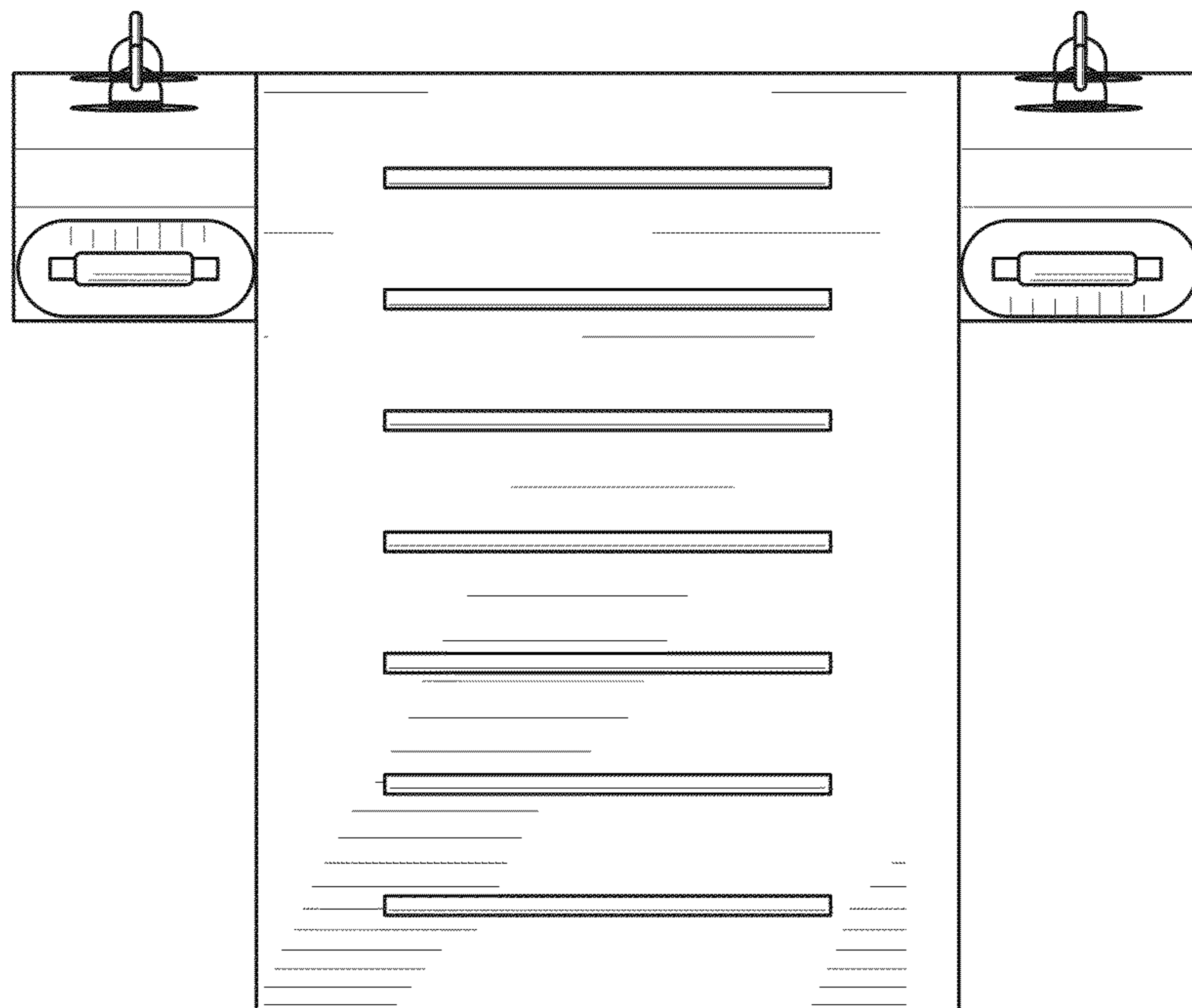
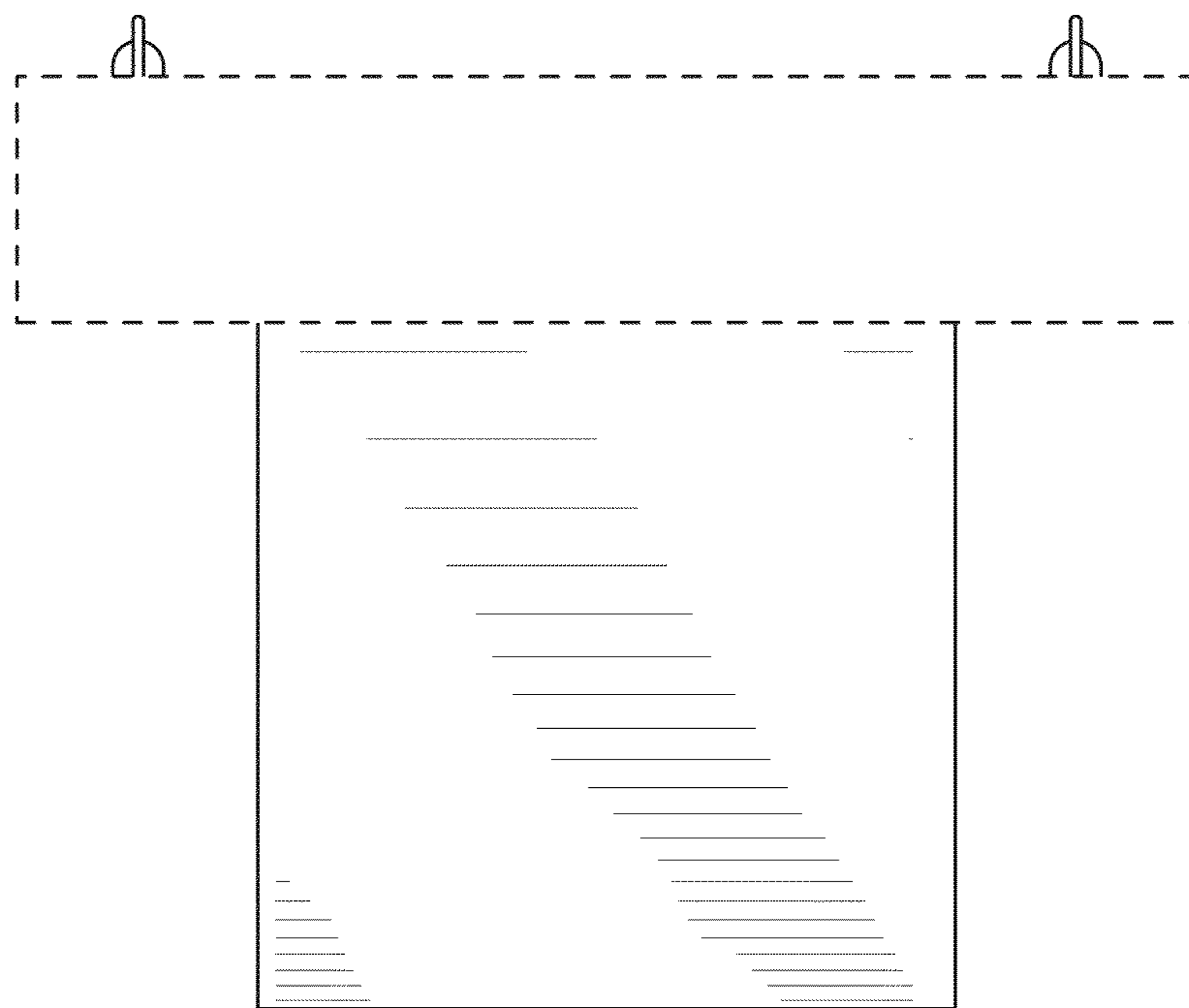


FIG. 4



*FIG. 5*

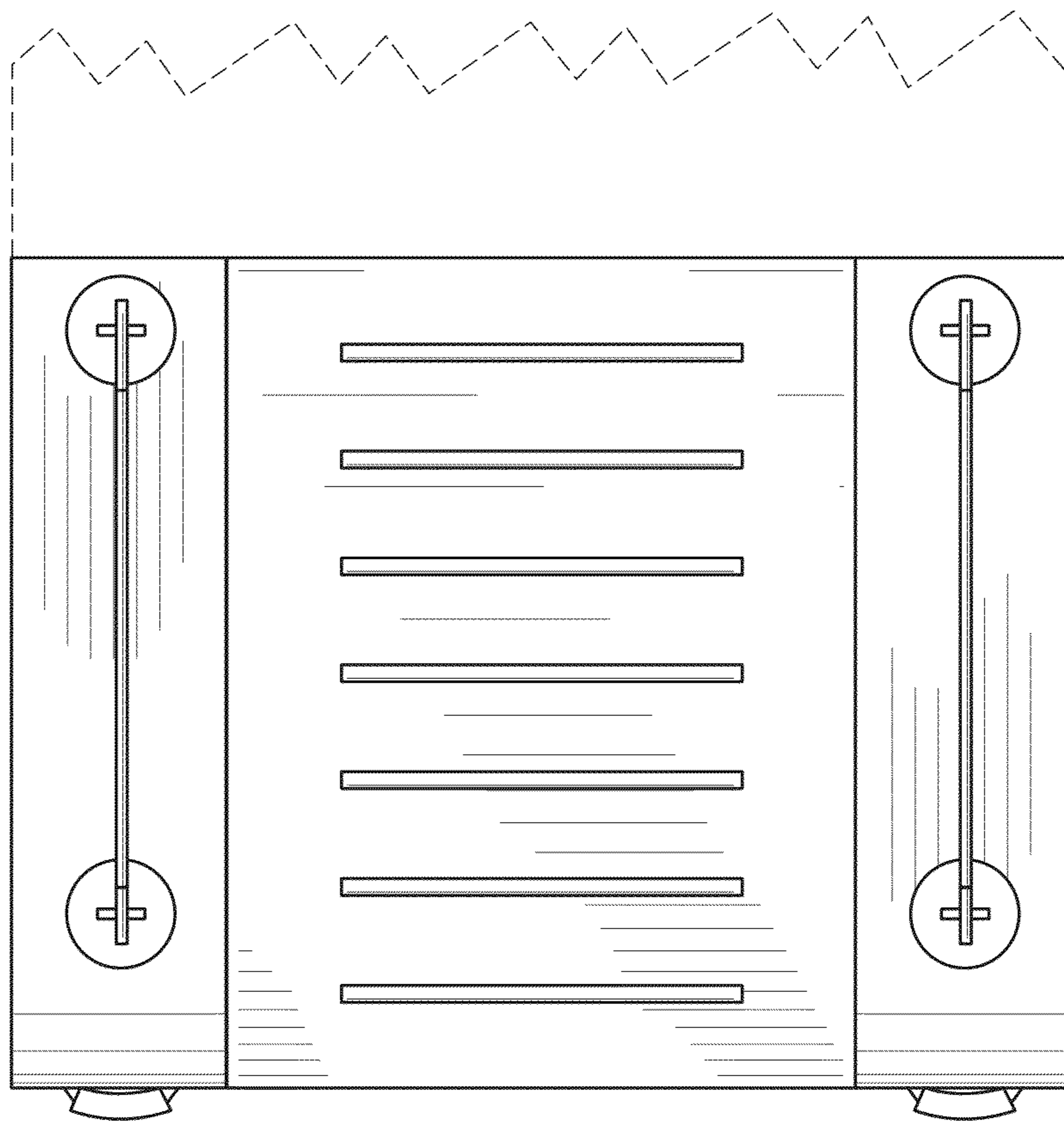


FIG. 6

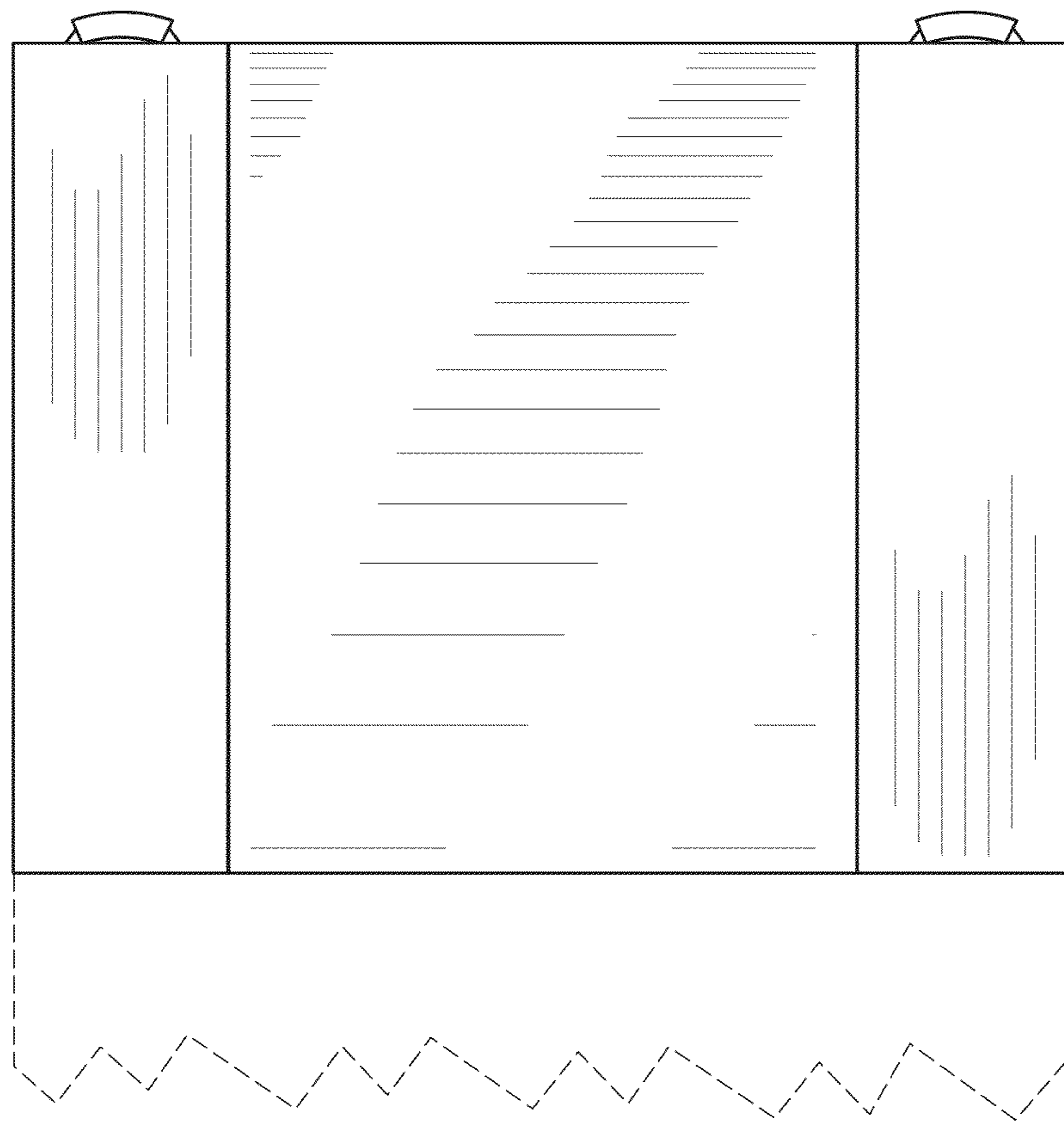


FIG. 7