

US00D716893S

(12) **United States Design Patent**
Todd

(10) **Patent No.:** **US D716,893 S**
(45) **Date of Patent:** **** Nov. 4, 2014**

- (54) **GOLF BALL STORAGE DEVICE**
- (71) Applicant: **Richard Todd**, Amherst, OH (US)
- (72) Inventor: **Richard Todd**, Amherst, OH (US)
- (**) Term: **14 Years**
- (21) Appl. No.: **29/460,995**
- (22) Filed: **Jul. 17, 2013**
- (51) **LOC (10) Cl.** **21-02**
- (52) **U.S. Cl.**
USPC **D21/796**
- (58) **Field of Classification Search**
USPC D21/789, 796; 206/315.2–315.9;
224/919, 274; 294/19.2; D3/259
See application file for complete search history.

5,060,996 A * 10/1991 Garnes 294/19.2
 6,357,586 B2 * 3/2002 Pratt et al. 206/315.9
 8,061,557 B1 * 11/2011 Torrance 221/185
 D652,467 S * 1/2012 Huff D21/796

* cited by examiner

Primary Examiner — Mitchell Siegel
 (74) *Attorney, Agent, or Firm* — Gulf Coast Intellectual Property Group

(57) **CLAIM**
 The ornamental design for a golf ball storage device, as shown and described.

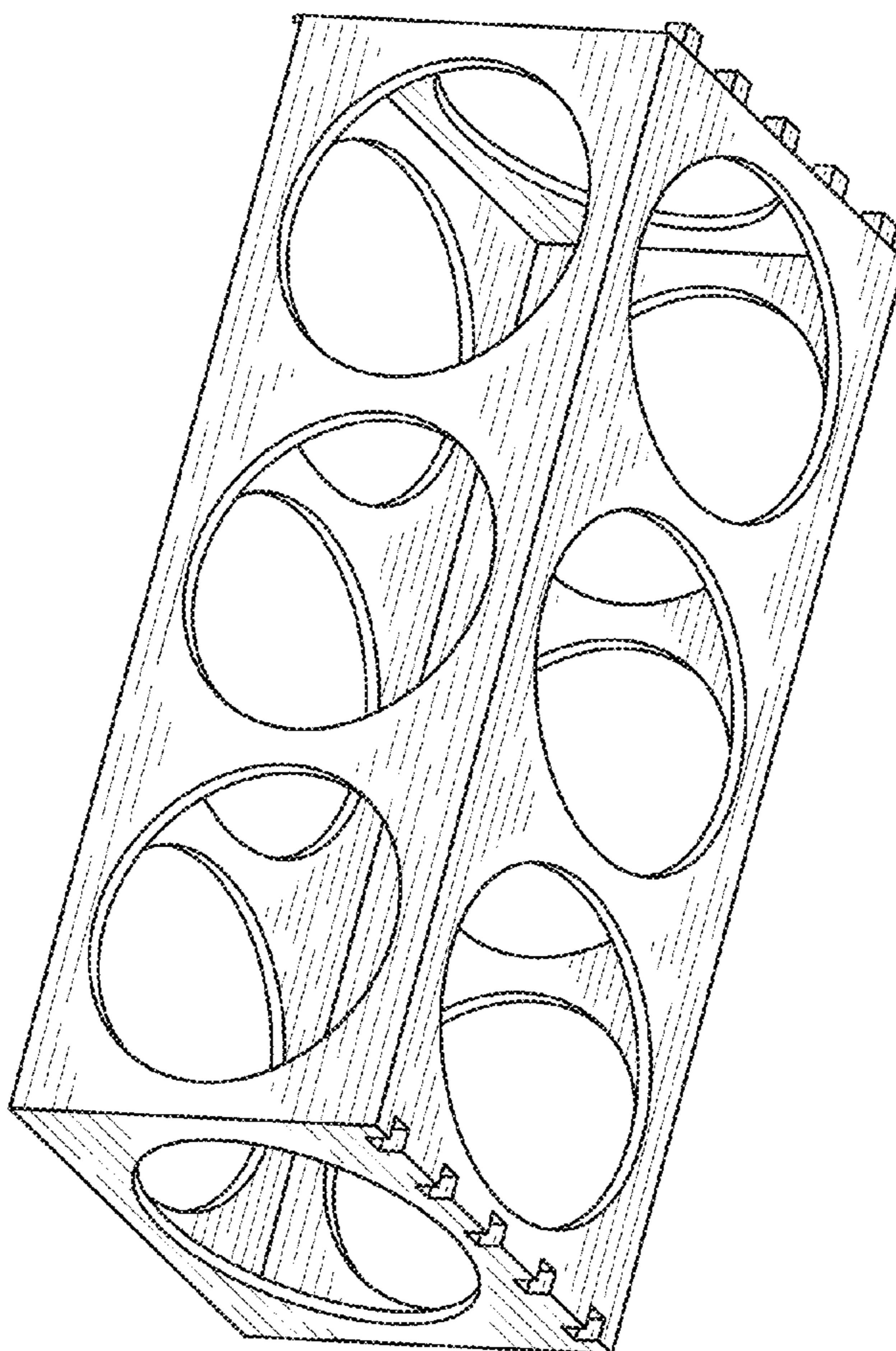
DESCRIPTION

FIG. 1 is a top view of the present invention; and FIG. 2 is a bottom view of the present invention; and FIG. 3 is a left side view of the present invention; and FIG. 4 is a right side view of the present invention; and, FIG. 5 is a perspective view of the present invention.

- (56) **References Cited**
U.S. PATENT DOCUMENTS

D247,256 S * 2/1978 Kevin D3/259
4,917,282 A * 4/1990 Hufford 224/274

1 Claim, 2 Drawing Sheets



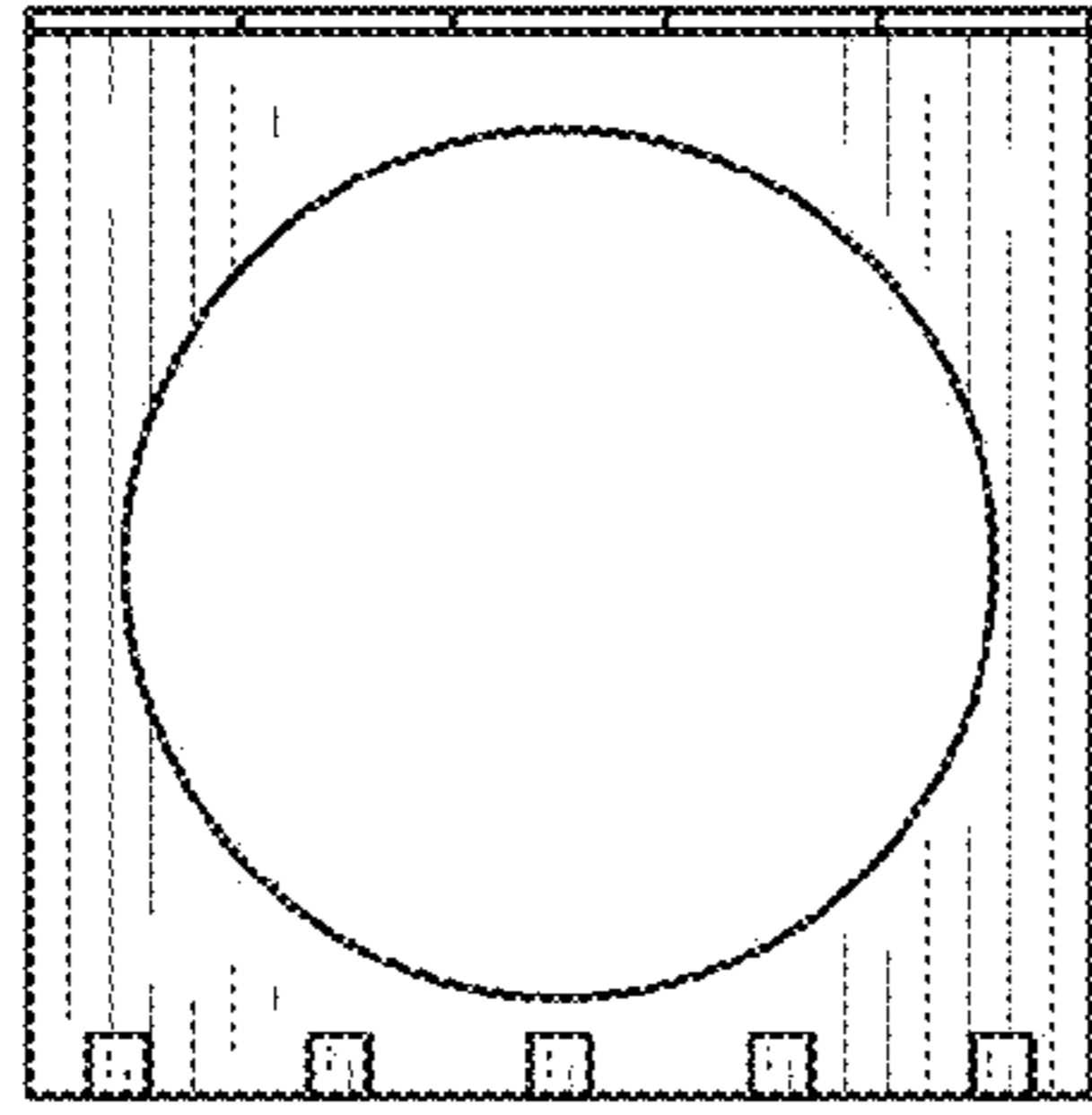


FIG. 1

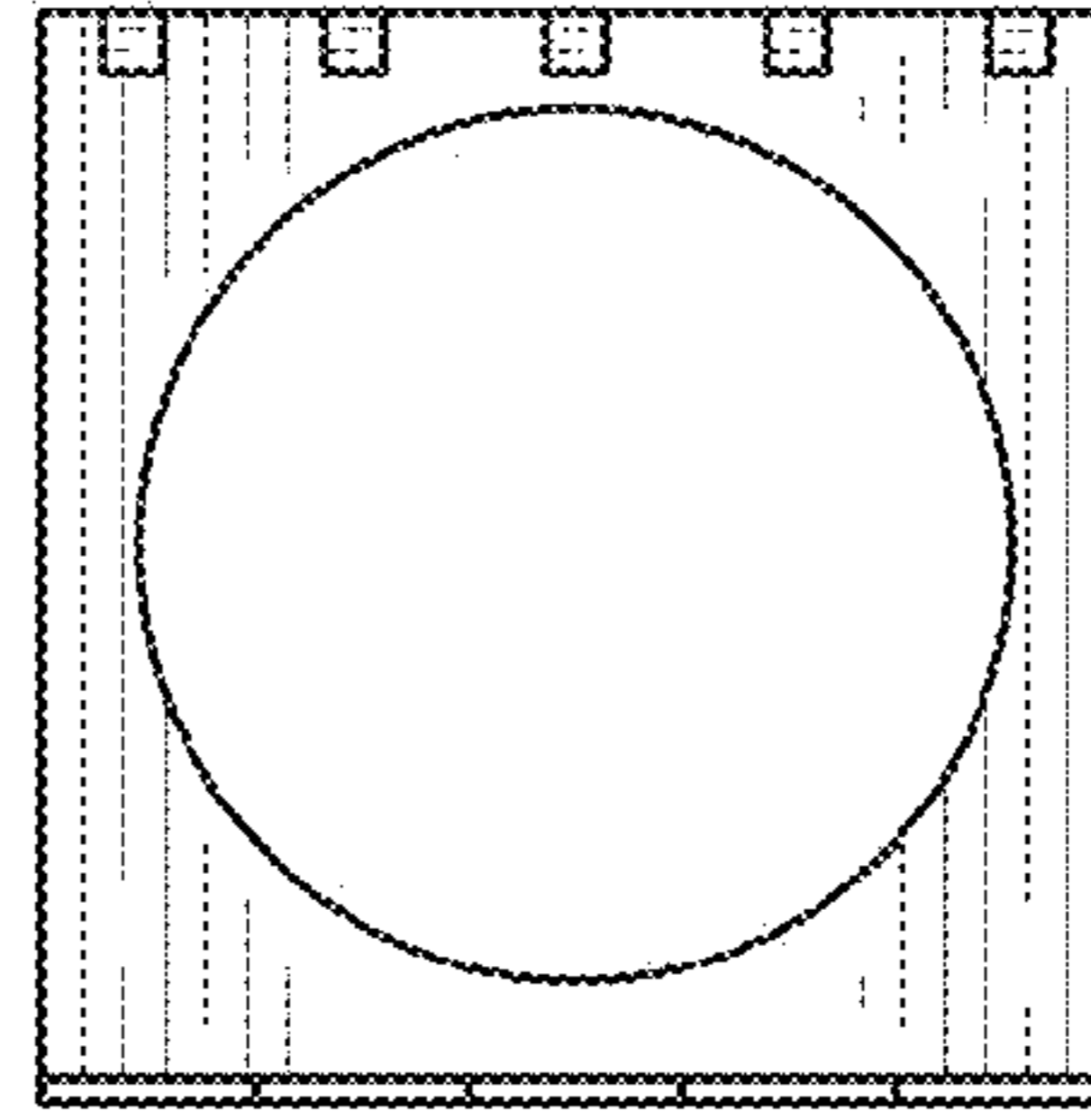


FIG. 2

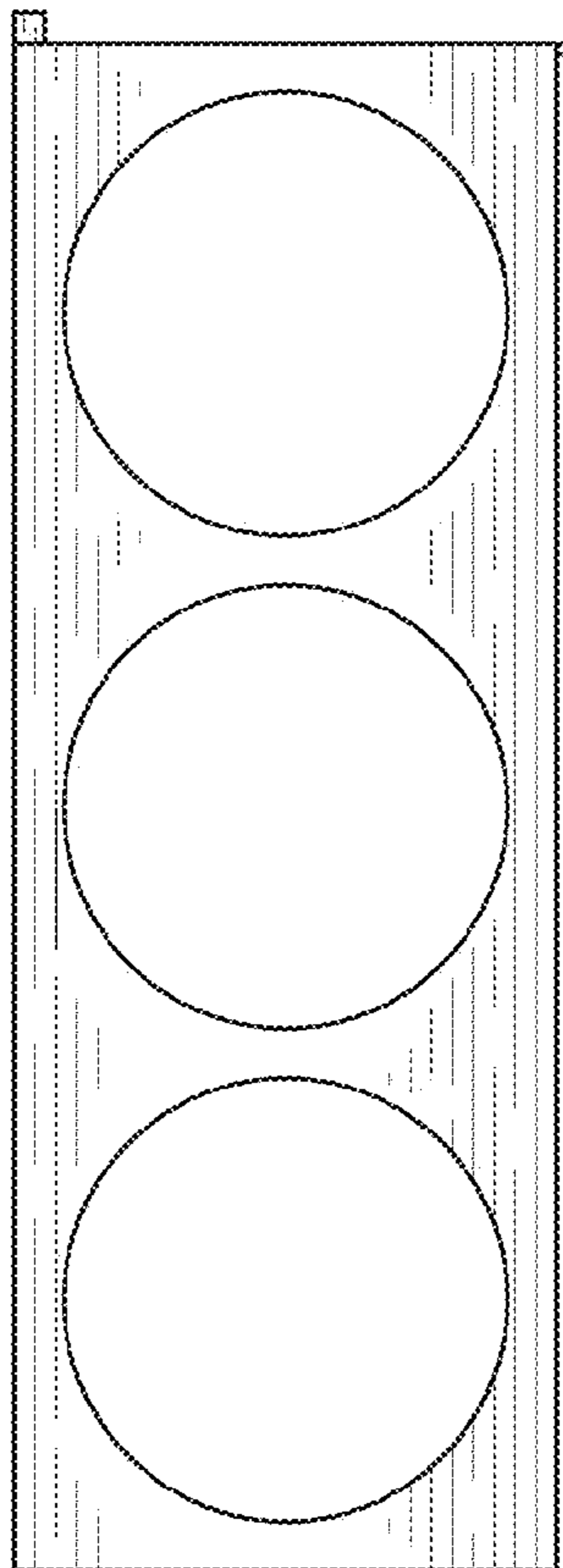


FIG. 3

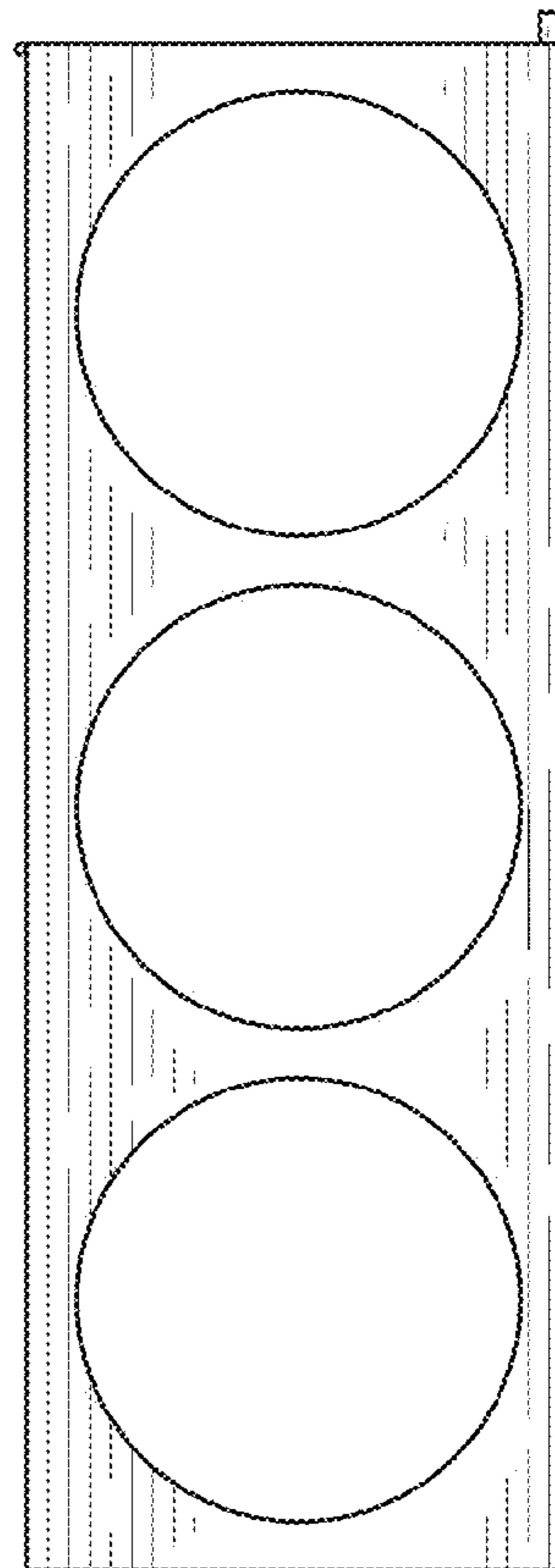


FIG. 4

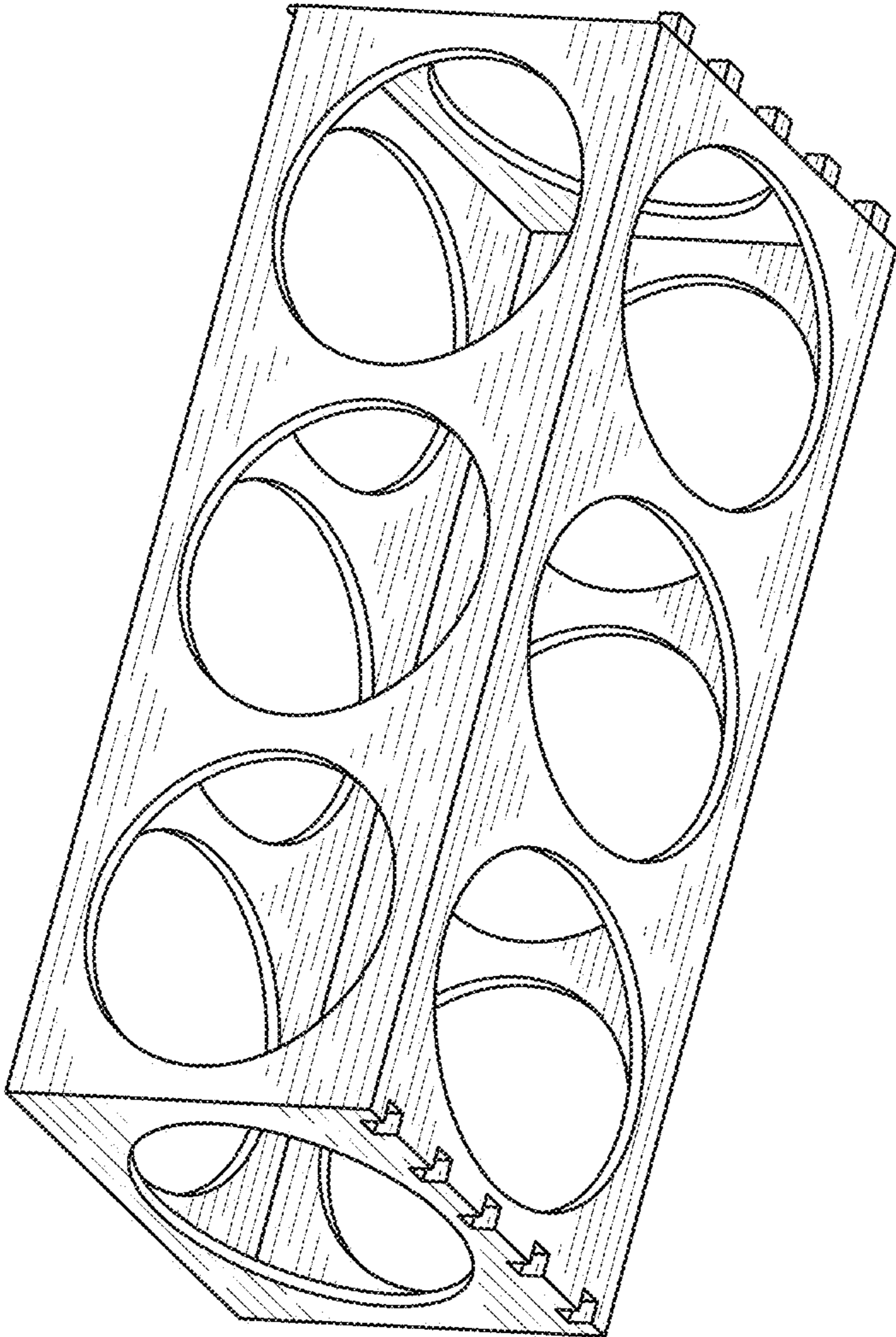


FIG. 5