



US00D716892S

(12) **United States Design Patent**  
**Schlosser et al.**

(10) **Patent No.:** **US D716,892 S**

(45) **Date of Patent:** **\*\* Nov. 4, 2014**

(54) **GOLF MAT**

(71) Applicants: **Steven Schlosser**, Saratoga, CA (US);  
**Michael Frederick Bricker**, San Jose,  
CA (US)

(72) Inventors: **Steven Schlosser**, Saratoga, CA (US);  
**Michael Frederick Bricker**, San Jose,  
CA (US)

(73) Assignee: **Bricker/Schlosser and Associates LLC**,  
Saratoga, CA (US)

(\*\*) Term: **14 Years**

(21) Appl. No.: **29/476,606**

(22) Filed: **Dec. 16, 2013**

(51) **LOC (10) Cl.** ..... **21-02**

(52) **U.S. Cl.**  
USPC ..... **D21/792**

(58) **Field of Classification Search**  
USPC ..... D21/789-791; 473/265, 150, 168, 218,  
473/257, 278

See application file for complete search history.

(56) **References Cited**

U.S. PATENT DOCUMENTS

D249,077	S	*	8/1978	Friskel .....	D21/792
D308,087	S	*	5/1990	Buffey .....	D21/792
D335,696	S	*	5/1993	Byers et al. ....	D21/792
D359,336	S	*	6/1995	DeLapp et al. ....	D21/792
D472,288	S	*	3/2003	Grabowski .....	D21/792
D501,239	S	*	1/2005	Bodor .....	D21/792
D509,873	S	*	9/2005	Dias .....	D21/792
D521,096	S	*	5/2006	Pelz .....	D21/792
D559,344	S	*	1/2008	Walsh et al. ....	D21/792

\* cited by examiner

*Primary Examiner* — Mitchell Siegel

(57) **CLAIM**

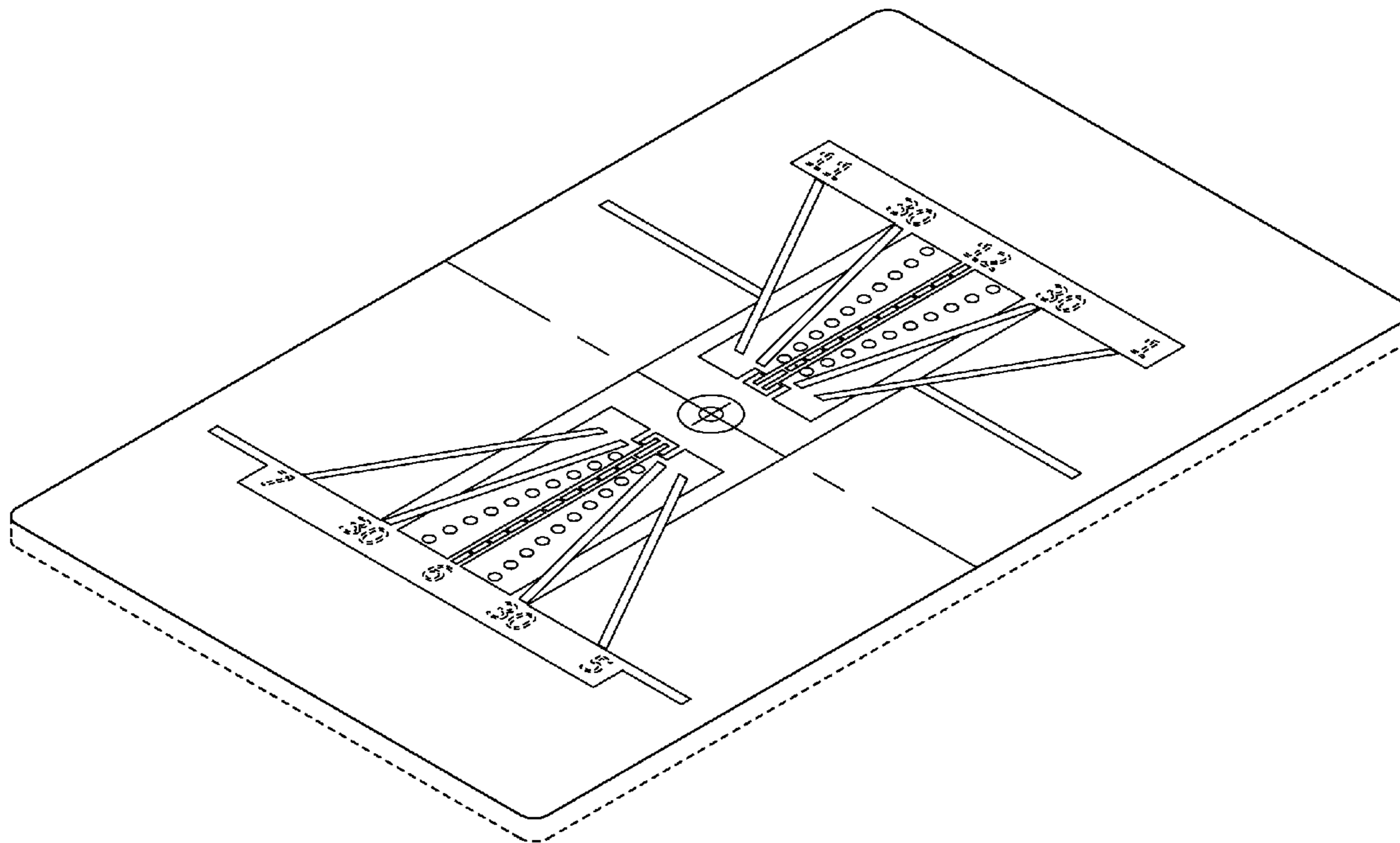
The ornamental design for golf mat, as shown and described.

**DESCRIPTION**

FIG. 1 is a perspective view of a golf mat;  
FIG. 2 is a top view thereof;  
FIG. 3 is a bottom view thereof;  
FIG. 4 is a front side view thereof, the rear side being a mirror  
image; and,  
FIG. 5 is a right side view thereof, the left side being a mirror  
image.

The broken lines showing the sides and bottom surface as  
well as the numbers on the top surface are included for illus-  
trative purposes only and form no part of the claimed design.

**1 Claim, 5 Drawing Sheets**



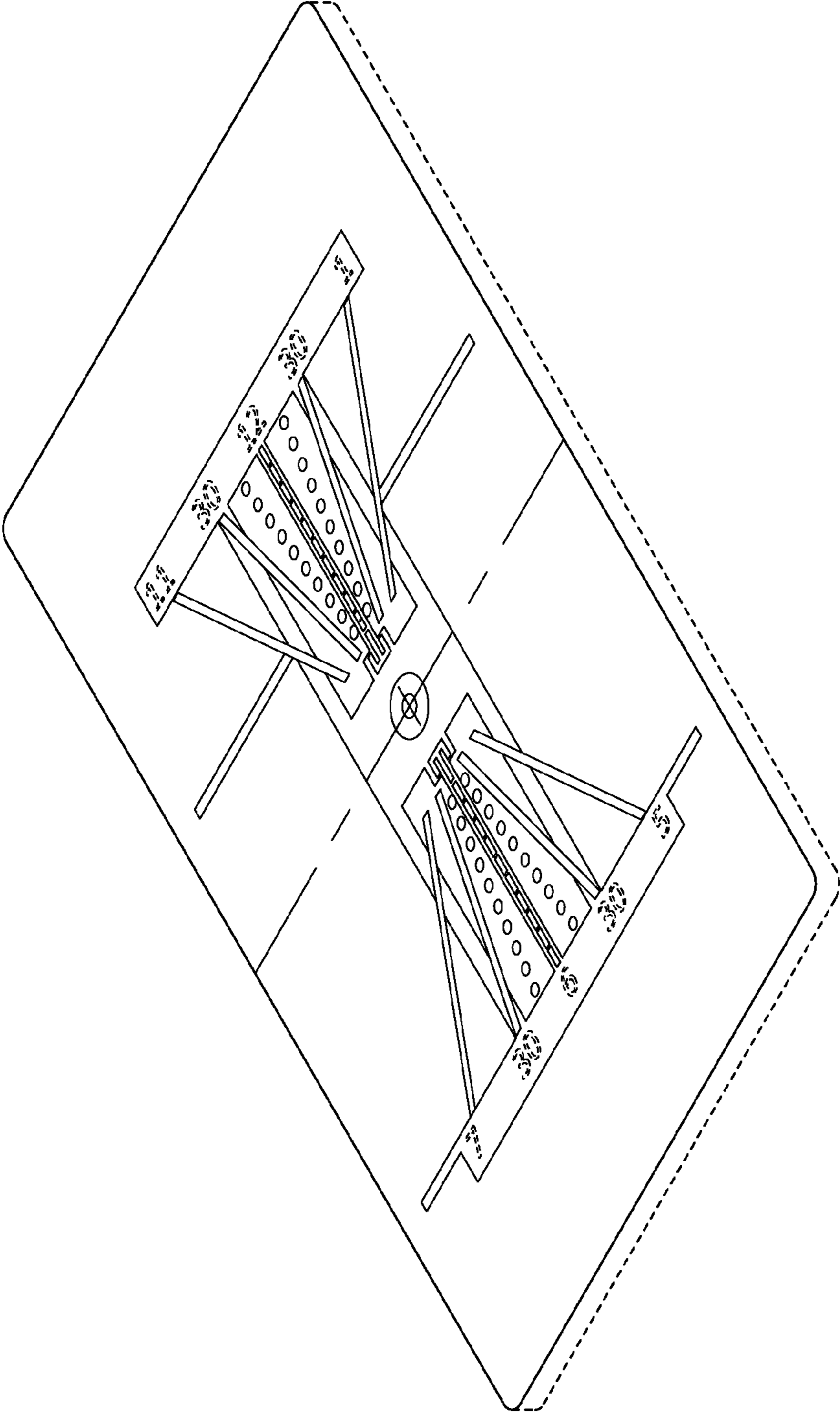


FIG. 1

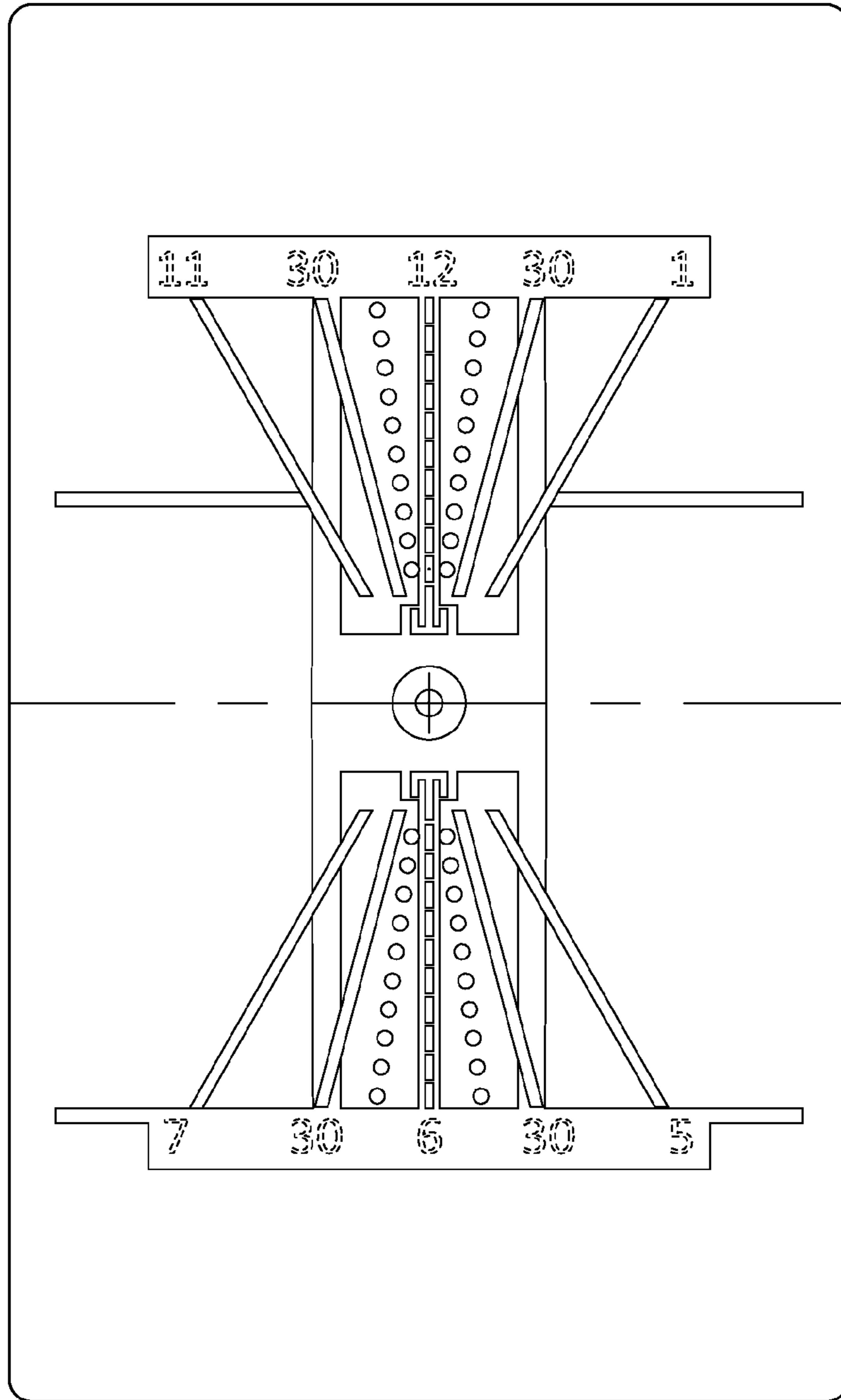


FIG. 2

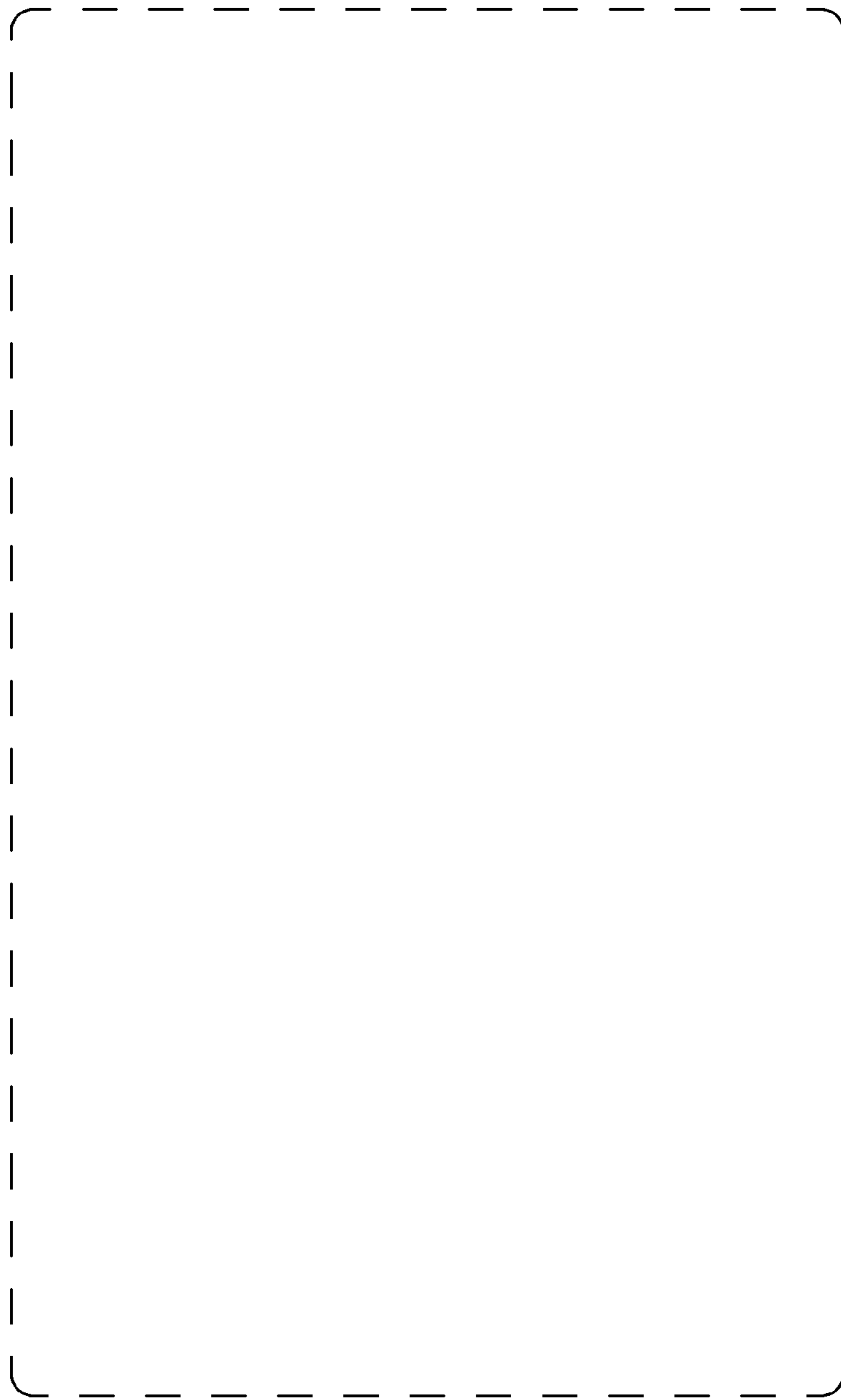


FIG. 3



**FIG. 4**

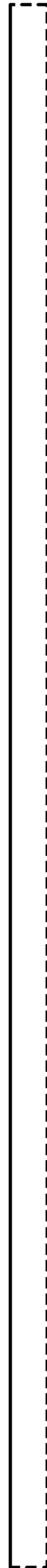


FIG. 5