



US00D716884S

(12) **United States Design Patent**
Chorne

(10) **Patent No.:** **US D716,884 S**

(45) **Date of Patent:** **** Nov. 4, 2014**

(54) **HOCKEY STICK BLADE**

8,608,597 B2 * 12/2013 Avnery et al. 473/563

* cited by examiner

(71) Applicant: **Robert Chorne**, Freeport, NY (US)

Primary Examiner — Mitchell Siegel

(72) Inventor: **Robert Chorne**, Freeport, NY (US)

(57) **CLAIM**

The ornamental design for a hockey stick blade, as shown and described.

(**) Term: **14 Years**

DESCRIPTION

(21) Appl. No.: **29/463,511**

FIG. 1 is a perspective view of the rear of the hockey stick blade showing my new design;

FIG. 2 is a rear elevation view

FIG. 3 is a front elevation view

FIG. 4 is a top plan view

FIG. 5 is a left side elevation view

FIG. 6 is a right side elevation view

FIG. 7 is a perspective view of a second embodiment of the rear of a hockey stick blade;

FIG. 8 is a rear elevation view of FIG. 7;

FIG. 9 is a front elevation view of FIG. 7;

FIG. 10 is a top plan view of FIG. 7;

FIG. 11 is a left side elevation view of FIG. 7; and,

FIG. 12 is a right side elevation view of FIG. 7.

The broken line showing is included for the purpose of illustrating and forms no part of the claimed design.

(22) Filed: **Dec. 16, 2013**

(51) **LOC (10) Cl.** **21-02**

(52) **U.S. Cl.**
USPC **D21/753; D21/727**

(58) **Field of Classification Search**
USPC **D21/727, 753; 473/560-563**
See application file for complete search history.

(56) **References Cited**

U.S. PATENT DOCUMENTS

1,631,960	A *	6/1927	Hall	473/562
3,844,555	A *	10/1974	Tremblay	473/563
4,343,468	A *	8/1982	Lindgren	473/563
5,603,498	A *	2/1997	Crawford et al.	473/563
7,841,959	B2 *	11/2010	Bremner	473/563

1 Claim, 6 Drawing Sheets

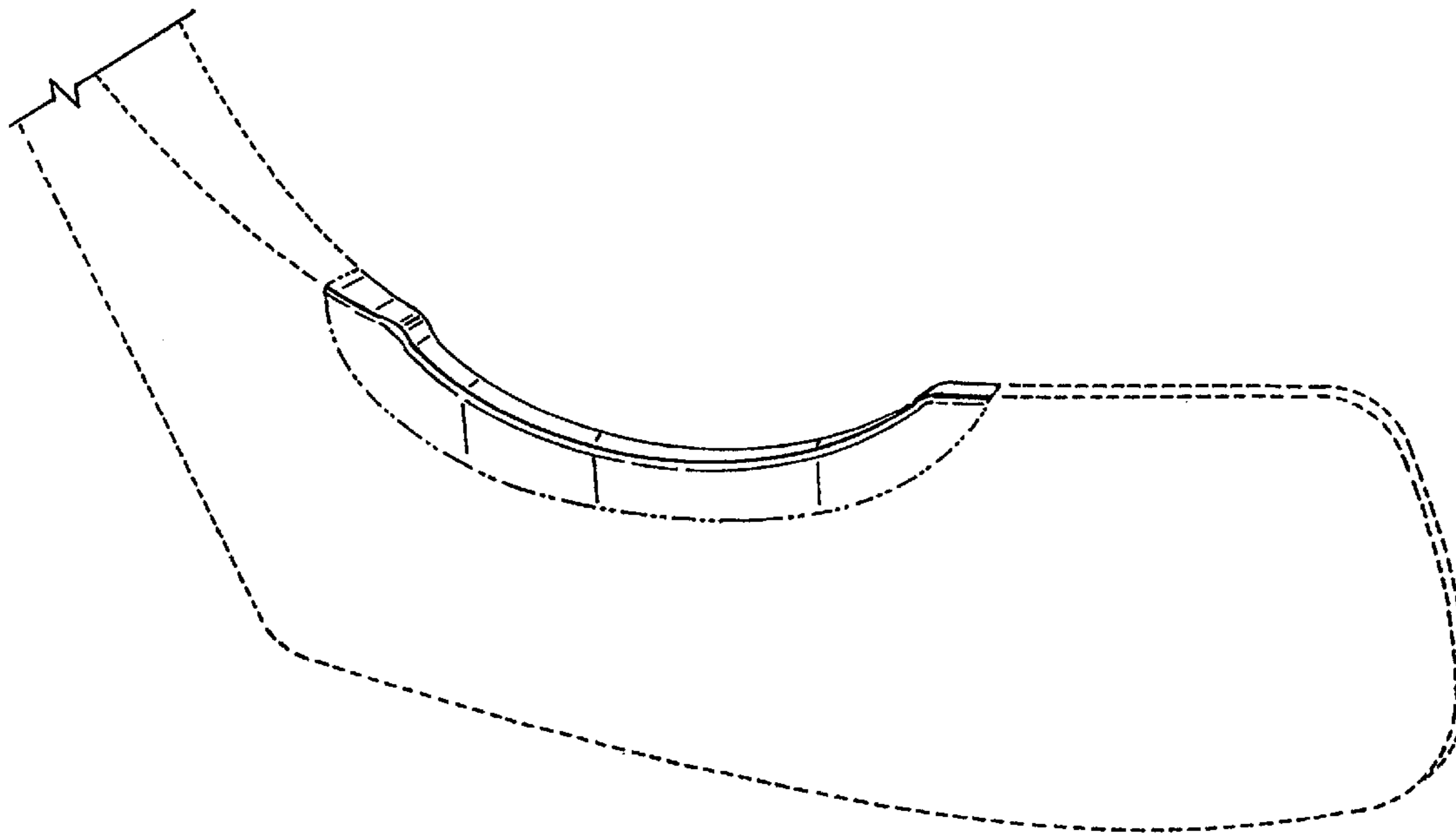
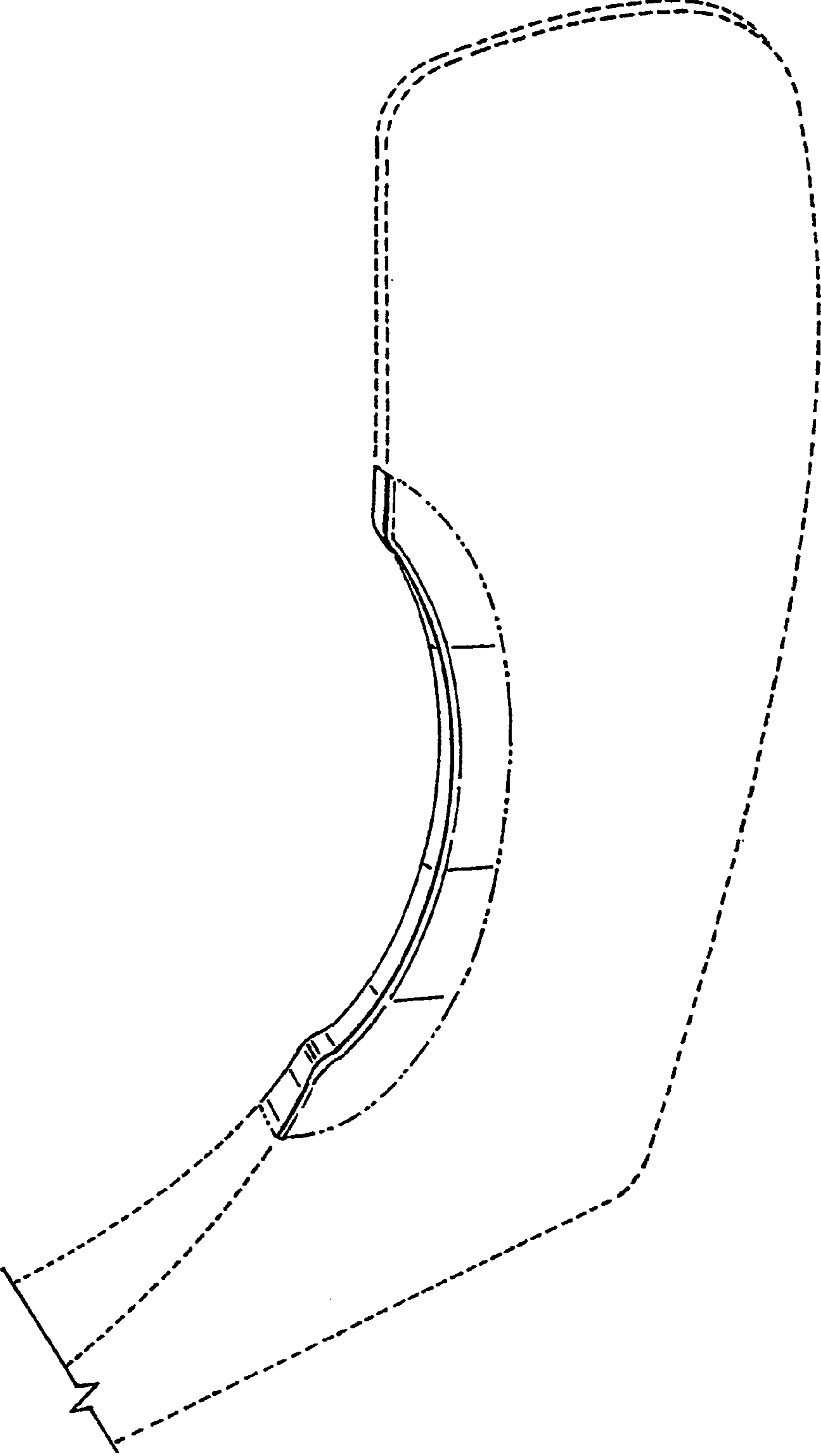
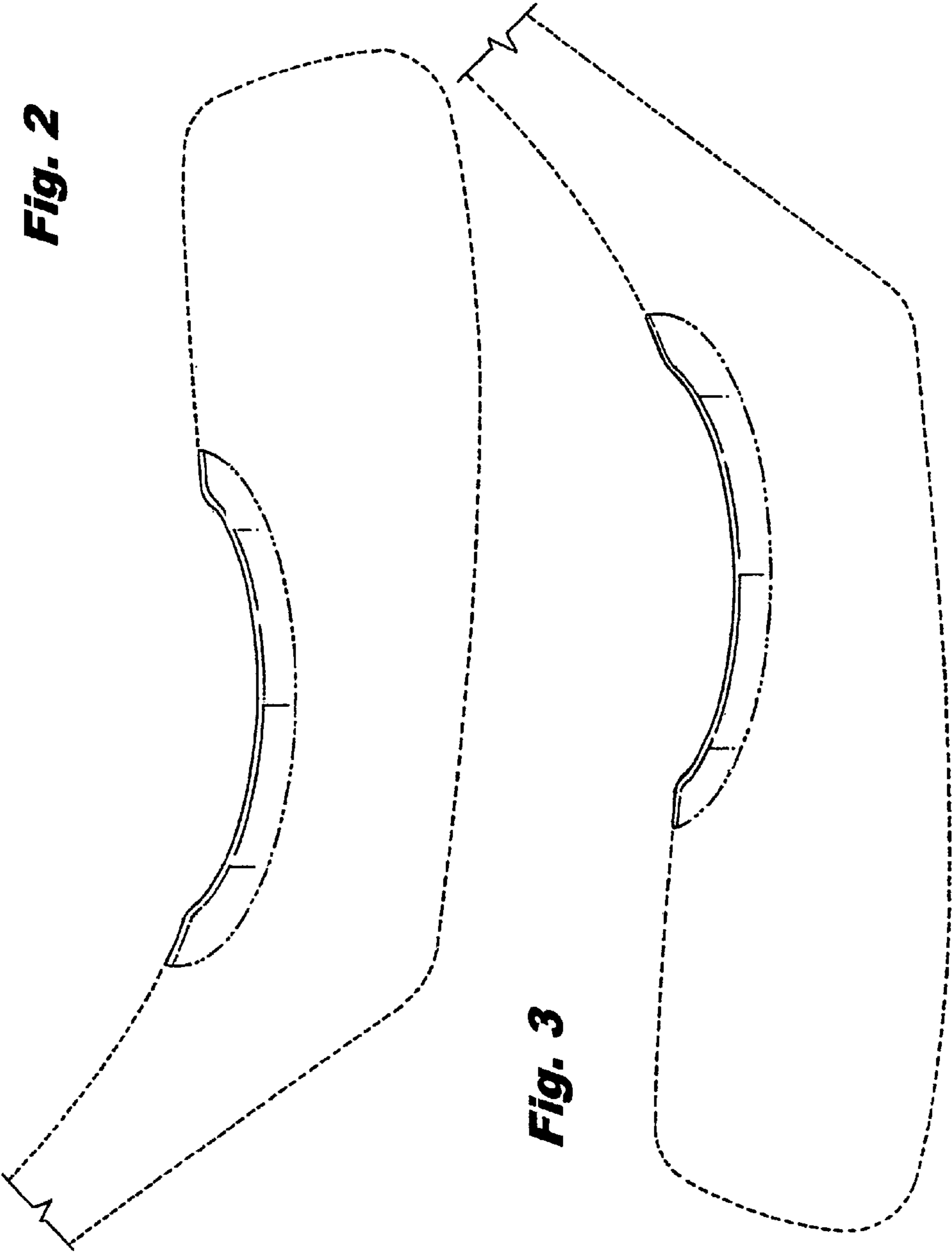


Fig. 1





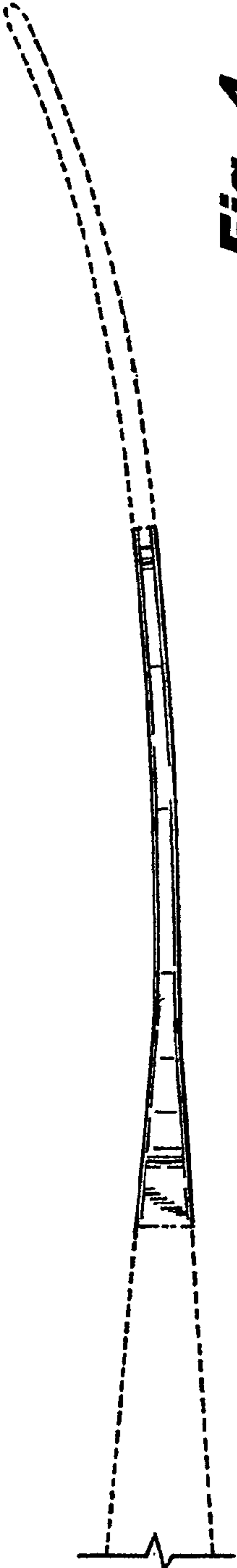


Fig. 4

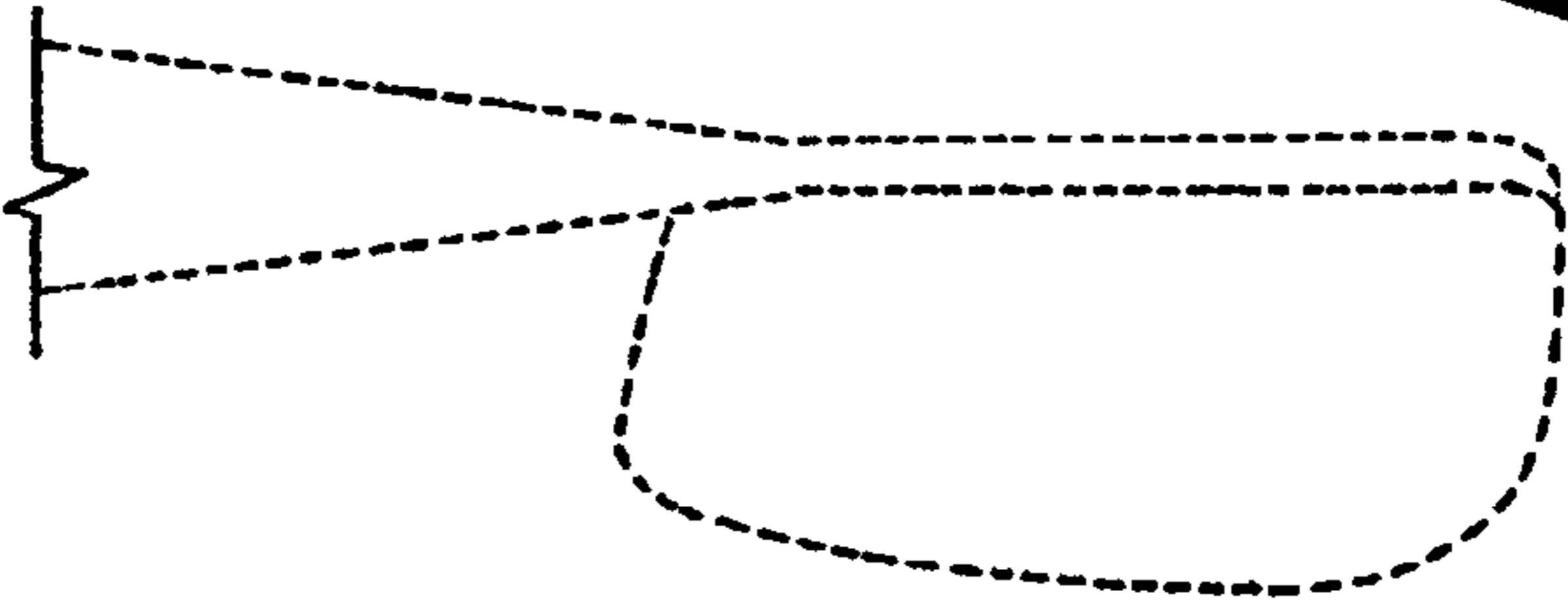


Fig. 6

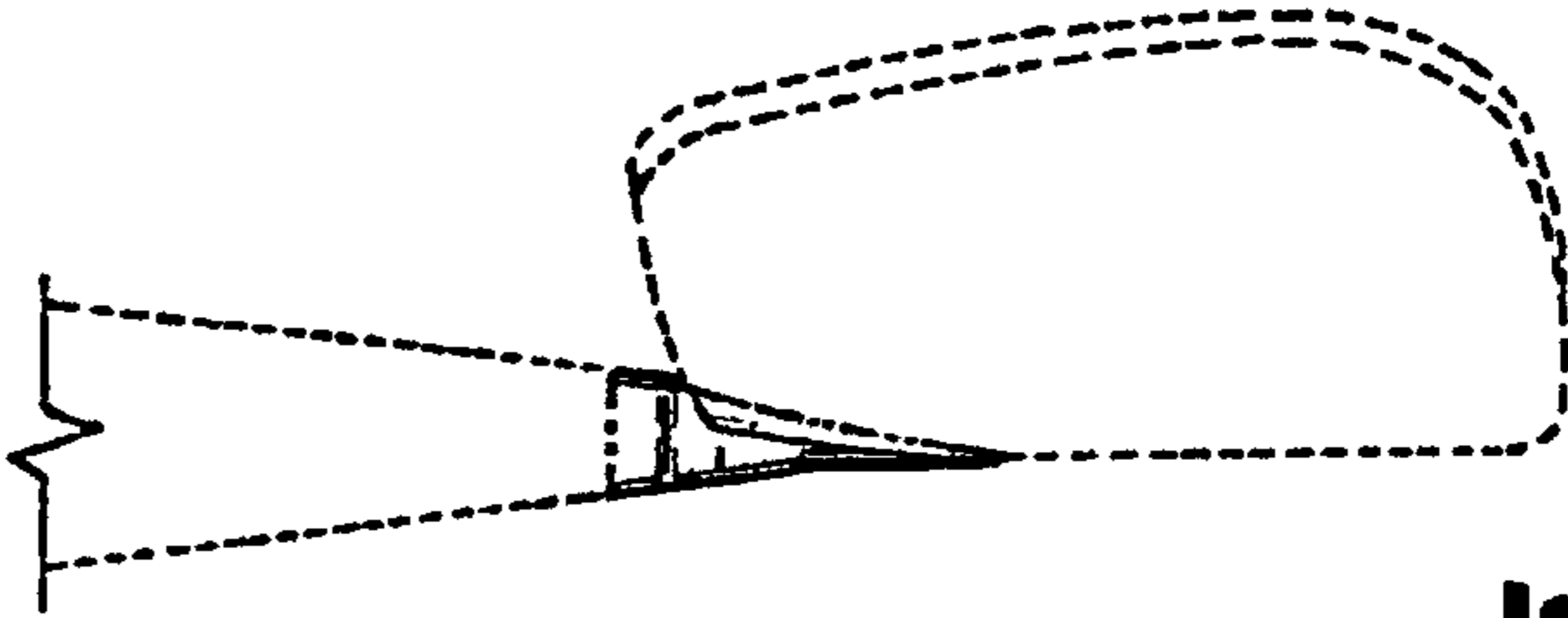
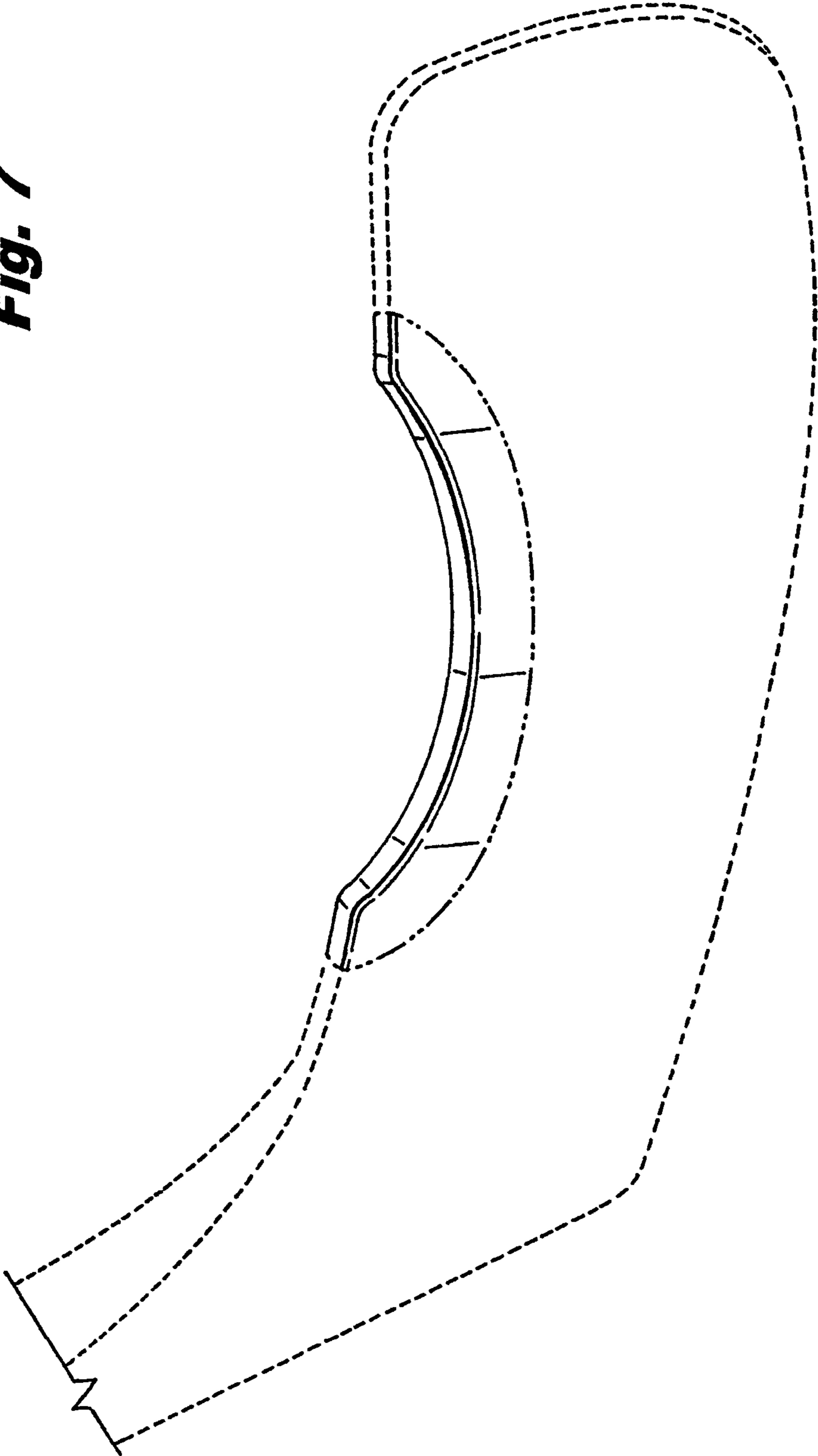


Fig. 5

Fig. 7



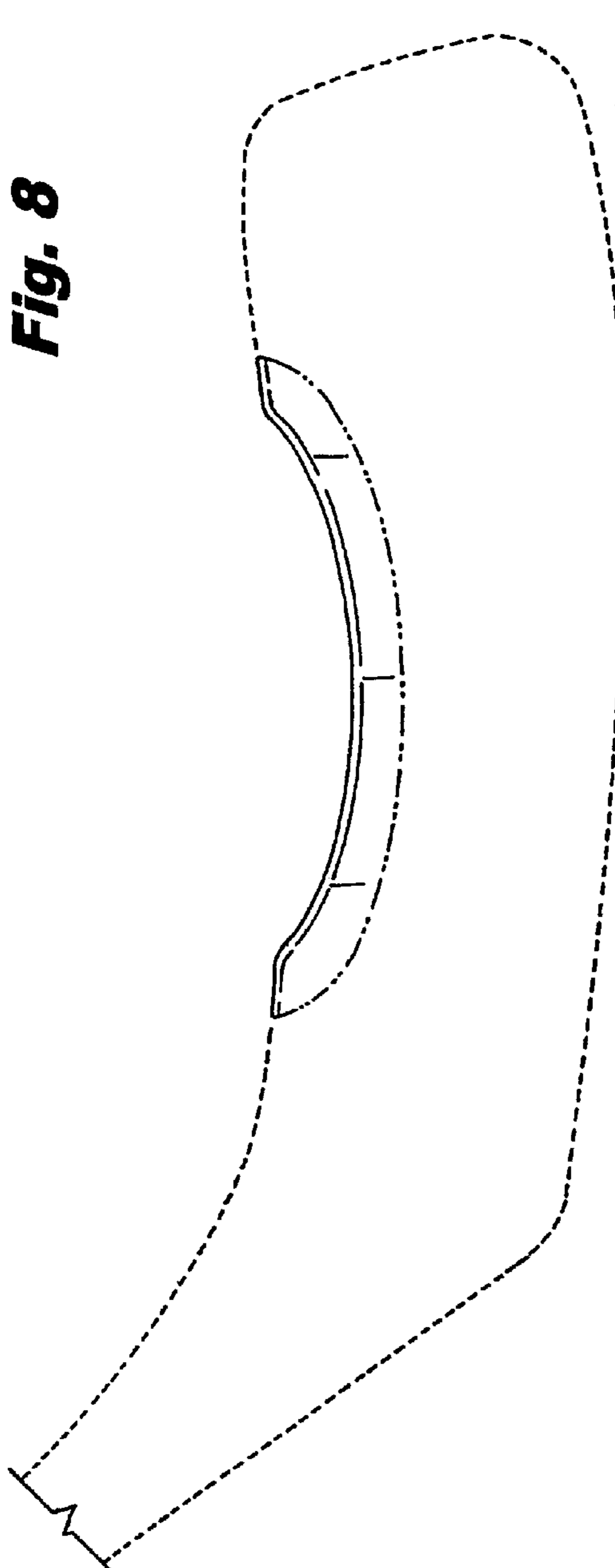


Fig. 8

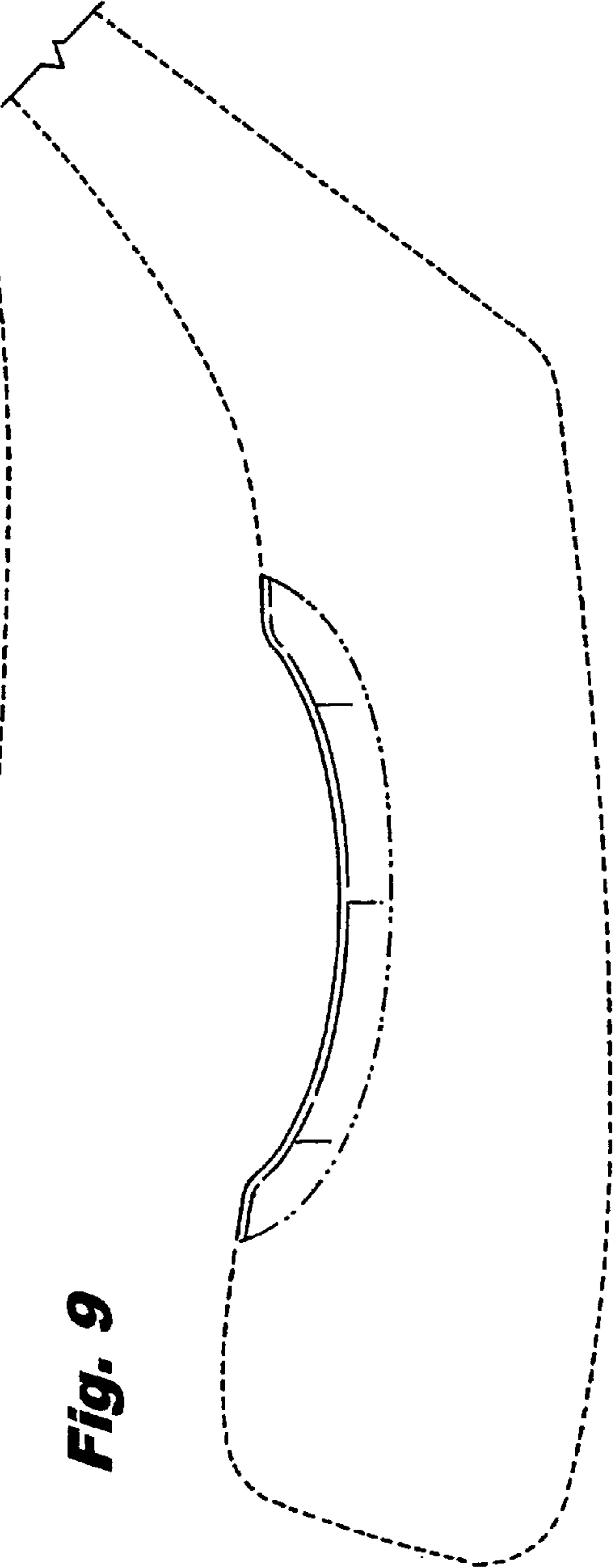


Fig. 9

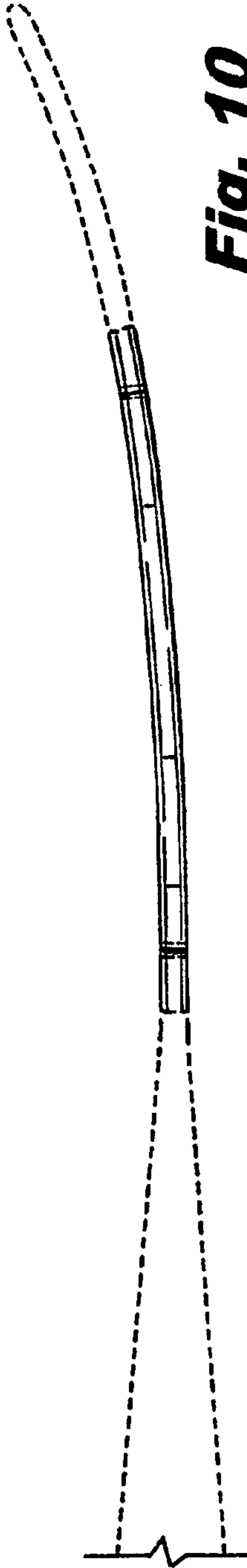


Fig. 10

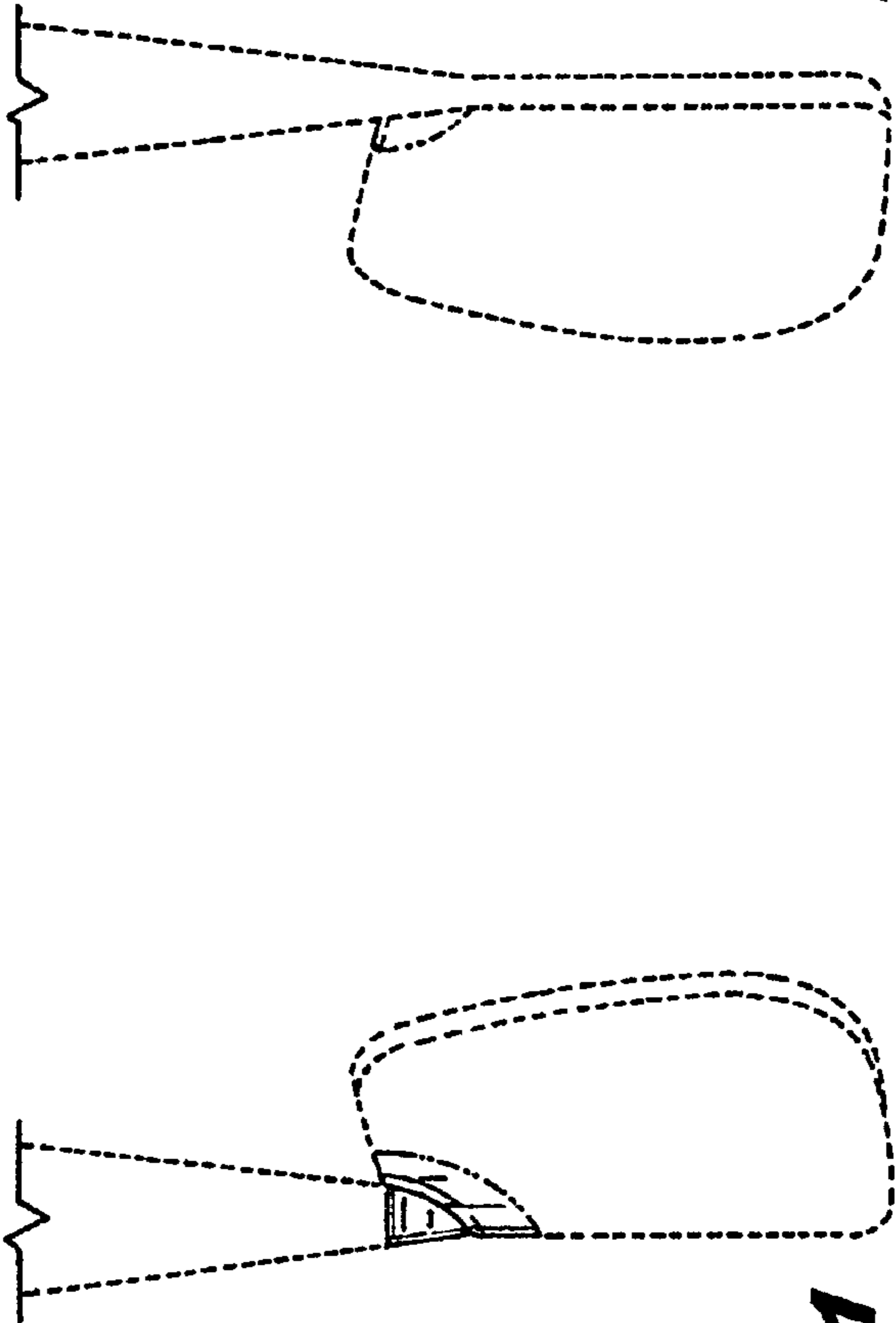


Fig. 11

Fig. 12