



US00D716879S

(12) **United States Design Patent**  
**Norman et al.**

(10) **Patent No.:** **US D716,879 S**

(45) **Date of Patent:** **\*\* Nov. 4, 2014**

(54) **BEAM COMPONENT FOR A CONSTRUCTION KIT**

446/102-128; 434/208, 259, 403; 273/153, 273/156, 160; 428/174; D34/38

See application file for complete search history.

(71) Applicant: **Innovation First, Inc.**, Greenville, TX (US)

(56) **References Cited**

(72) Inventors: **David Anthony Norman**, Greenville, TX (US); **Robert H. Mimplitch, III**, Rowlett, TX (US); **Paul David Copioli**, Rockwall, TX (US); **Gregory James Lavender**, Rockwall, TX (US); **Aren Calder Hill**, Rockford, IL (US); **Douglas Michael Galletti**, Allen, TX (US); **John Edward Vielkind-Neun**, Rockwall, TX (US); **Arthur Philip Dutra, IV**, Greenville, TX (US)

U.S. PATENT DOCUMENTS

D219,230 S	11/1970	Reijnhard	
D285,583 S	9/1986	Kassai	
D304,212 S	10/1989	Moe	
D352,750 S	11/1994	Kushner et al.	
D370,035 S	5/1996	Olsen	
D374,258 S	10/1996	Schmidt et al.	
D385,926 S	11/1997	Nielsen	
D407,178 S *	3/1999	Evans .....	D34/38
D410,704 S	6/1999	Krog	
D420,710 S	2/2000	Poulsen	

(Continued)

(73) Assignee: **Innovation First, Inc.**, Greenville, TX (US)

*Primary Examiner* — Cynthia M Chin

(\*\*) Term: **14 Years**

(74) *Attorney, Agent, or Firm* — Adam K. Sacharoff; Much Shelist

(21) Appl. No.: **29/483,057**

(57) **CLAIM**

The ornamental design for a beam component for a construction kit, as shown and described.

(22) Filed: **Feb. 25, 2014**

**DESCRIPTION**

**Related U.S. Application Data**

(62) Division of application No. 29/451,722, filed on Apr. 8, 2013.

(51) **LOC (10) Cl.** ..... **21-01**

(52) **U.S. Cl.**  
USPC ..... **D21/486**; D21/491; D21/501

(58) **Field of Classification Search**  
CPC ..... A63H 33/00; A63H 33/04; A63H 33/06; A63H 33/08; A63H 33/10; A63H 33/12; A63H 33/14; A63F 9/08; A63F 9/12; G09B 1/36  
USPC ..... D21/484, 485, 486, 488, 489, 491, 494, D21/495, 499, 500-504; 446/69, 85,

FIG. 1 is a front perspective view of a beam component for a construction kit in accordance with a second embodiment;

FIG. 2 is a rear perspective view of FIG. 1;

FIG. 3 is a top side view of FIG. 2;

FIG. 4 is a bottom side view of FIG. 3;

FIG. 5 is a right side view of FIG. 4;

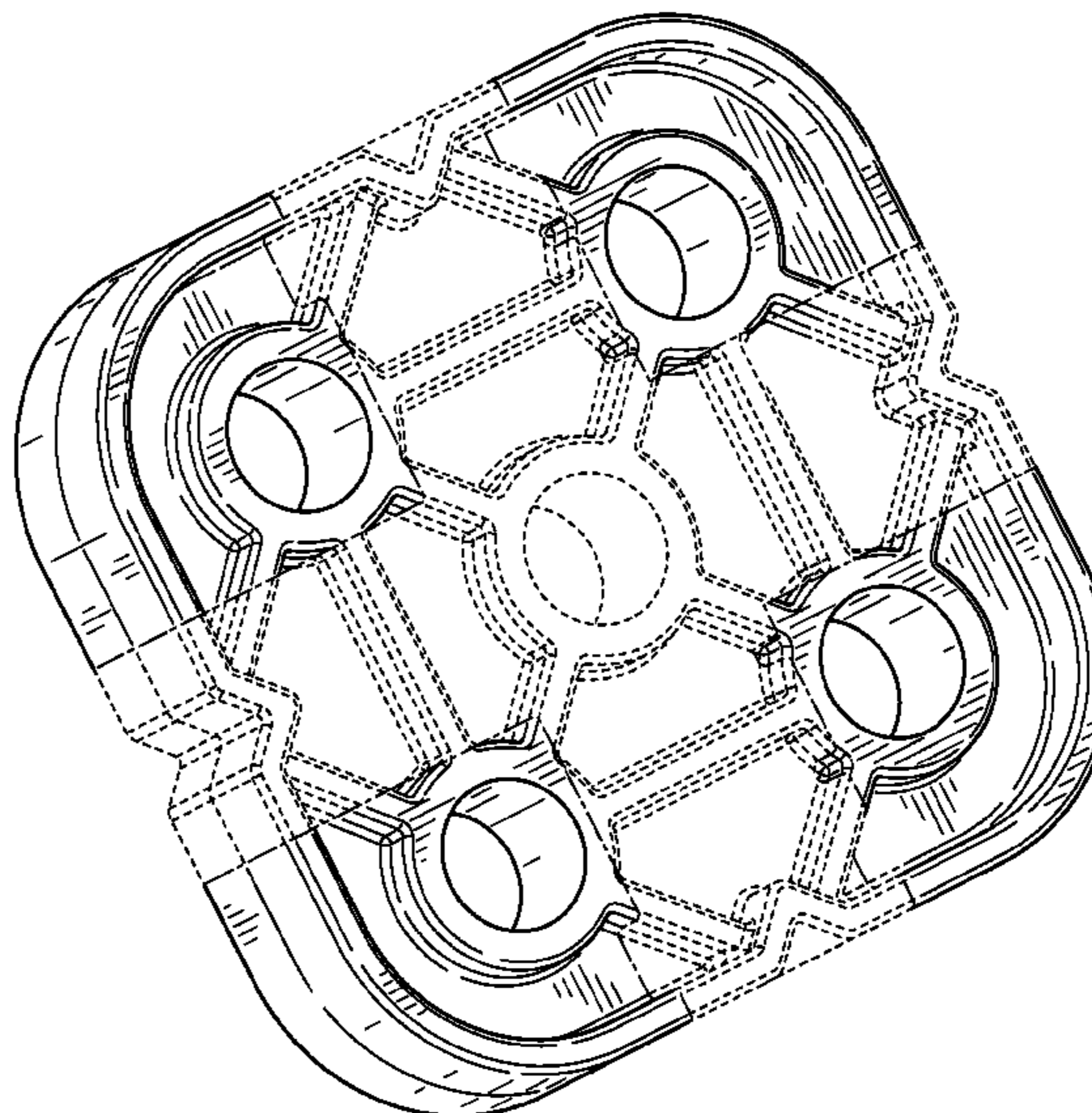
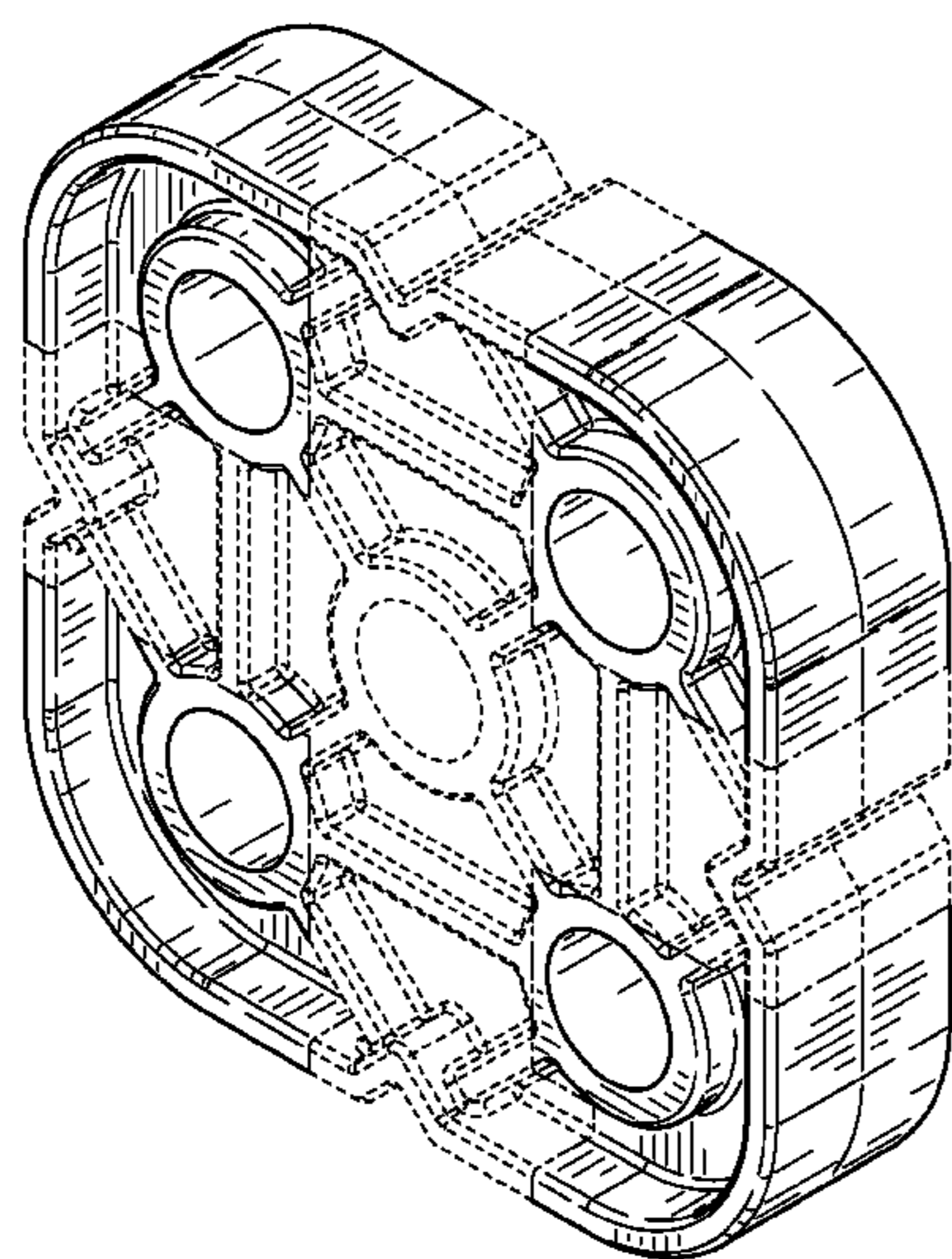
FIG. 6 is a left side view of FIG. 5;

FIG. 7 is a front side view of FIG. 6; and,

FIG. 8 is a rear side view of FIG. 7.

The dash-dot broken lines represent the bounds of the claim and all other broken lines represent the environment in which the article resides. None of the broken lines form a part of the claimed design.

**1 Claim, 8 Drawing Sheets**



(56)

**References Cited**

U.S. PATENT DOCUMENTS

D426,933 S 6/2000 Redfern  
6,176,757 B1 \* 1/2001 Lin ..... 446/115  
D474,871 S \* 5/2003 Bas ..... D34/38  
D508,300 S \* 8/2005 O'Dell et al. .... D34/38  
D517,615 S 3/2006 Kim

D616,505 S \* 5/2010 Kossmann ..... D21/501  
D641,804 S \* 7/2011 Kichijo et al. .... D21/491  
8,002,241 B1 8/2011 Shaw  
D652,952 S \* 1/2012 Angel ..... D25/113  
8,382,548 B2 2/2013 Maggiore et al.  
D686,676 S 7/2013 Telford  
D693,416 S 11/2013 Webb

\* cited by examiner

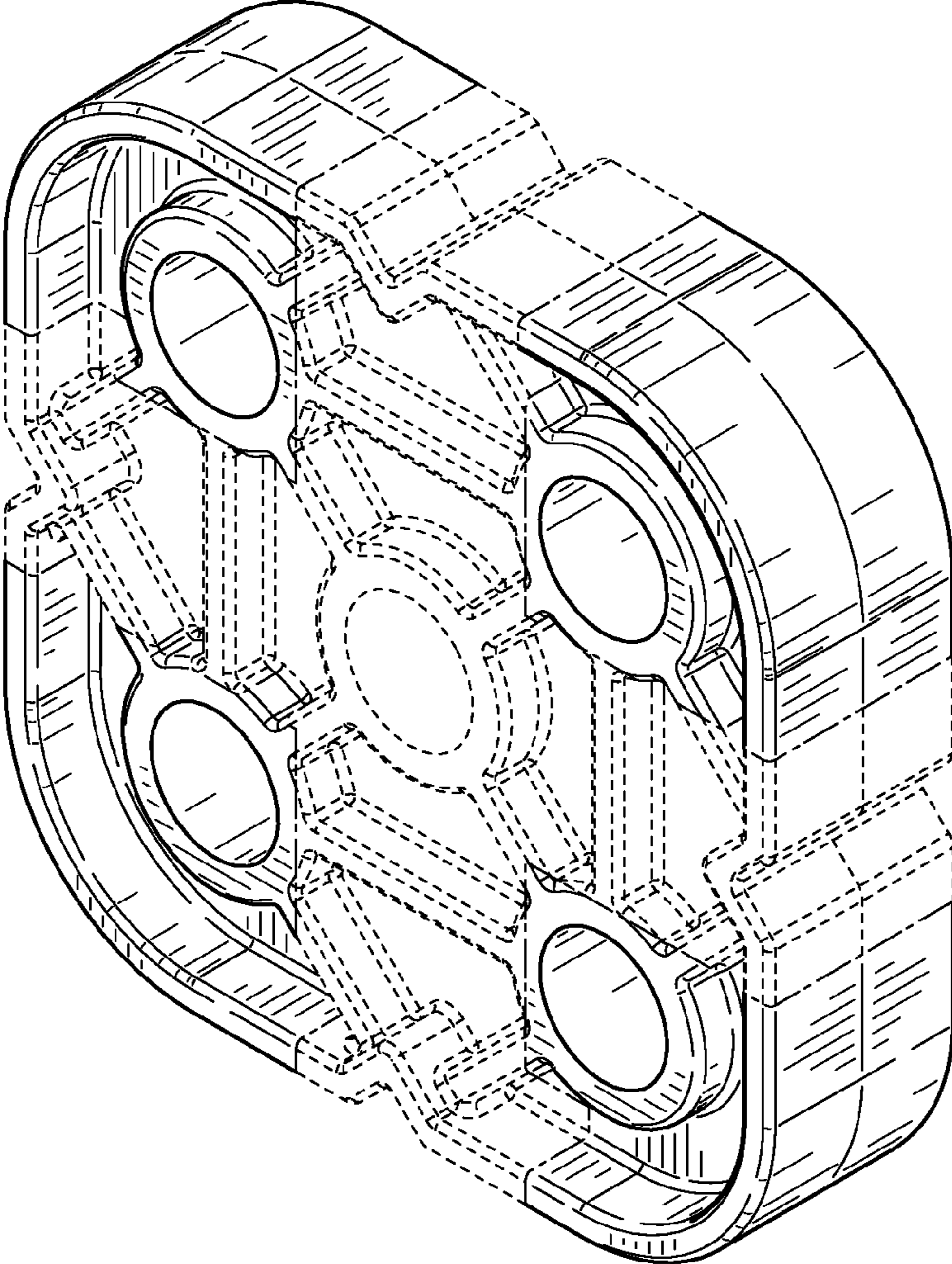


FIG. 1

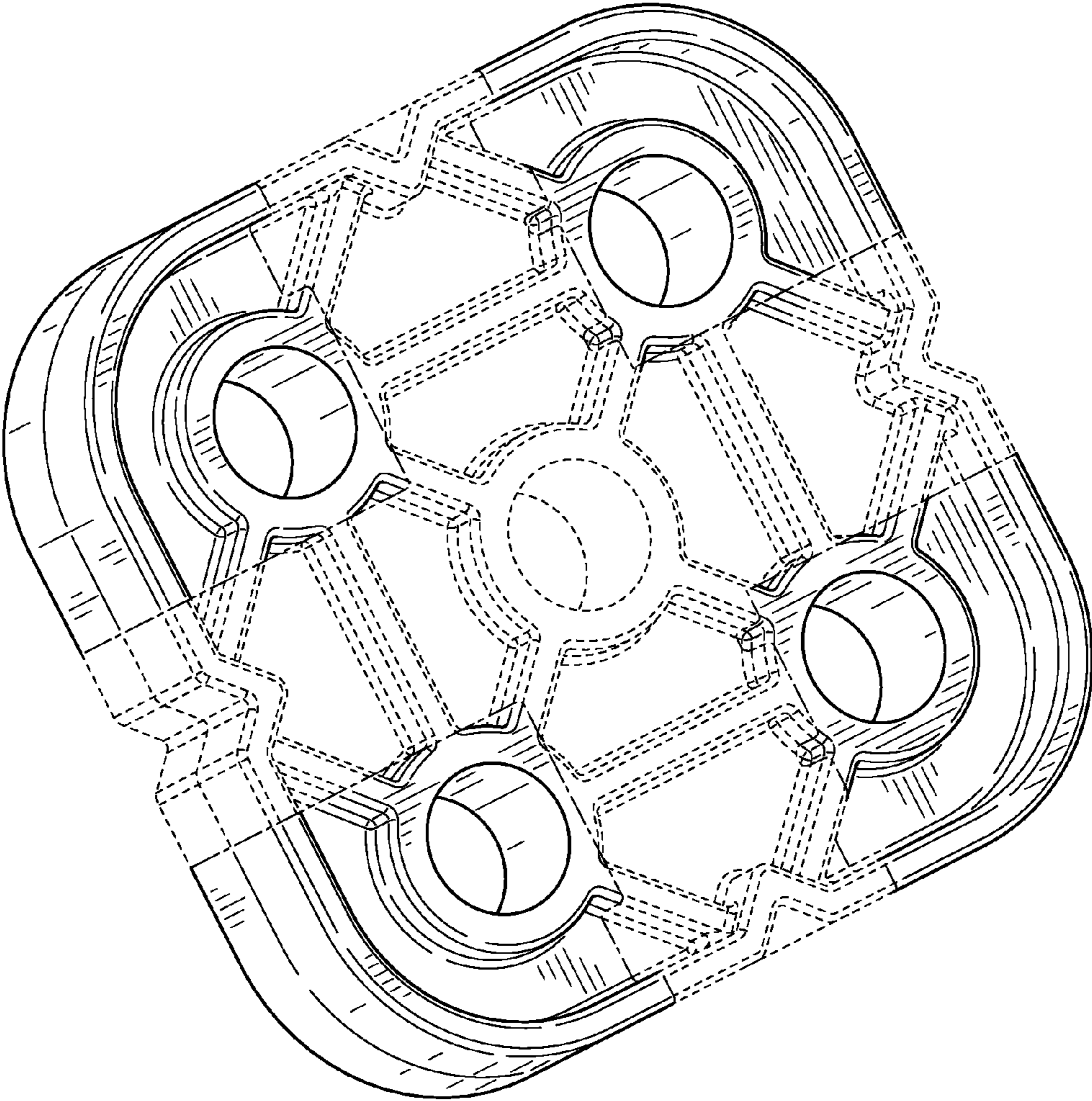


FIG. 2

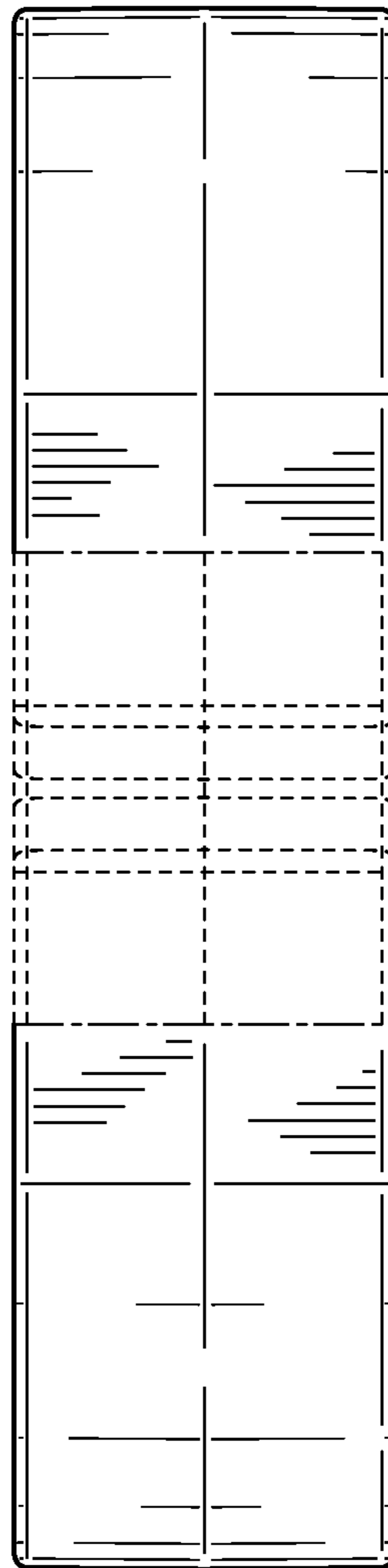


FIG. 3

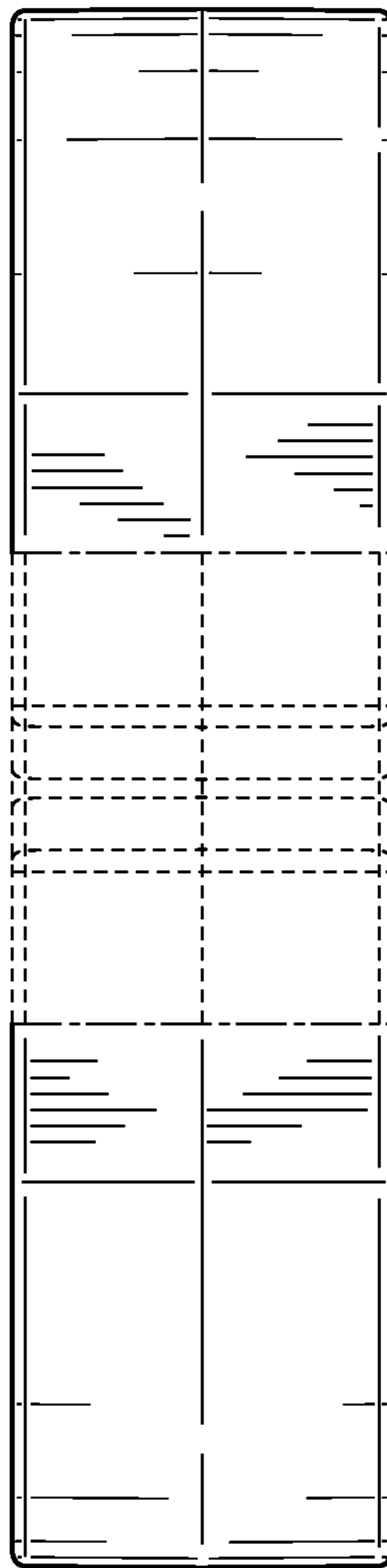


FIG. 4

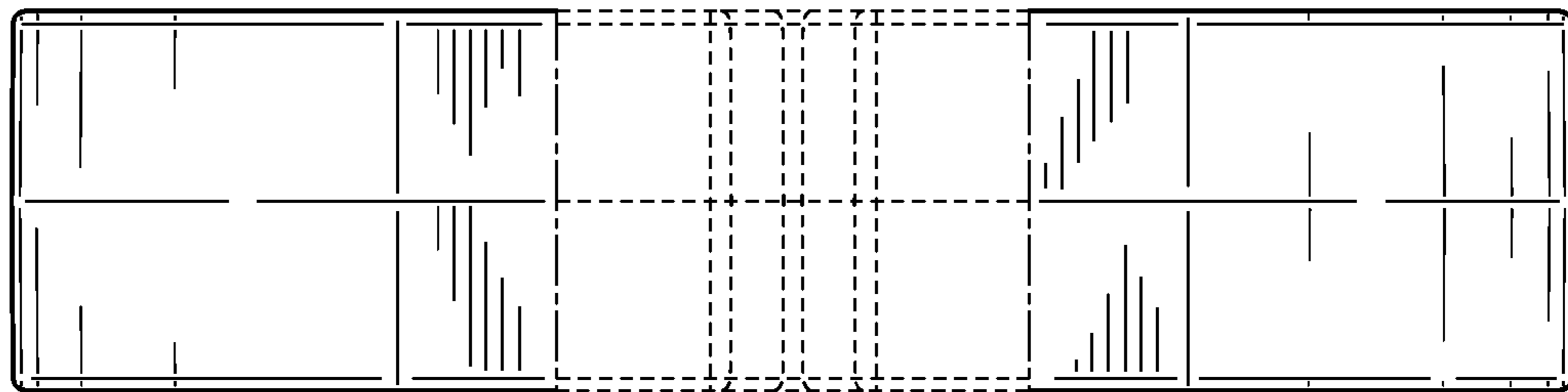


FIG. 5

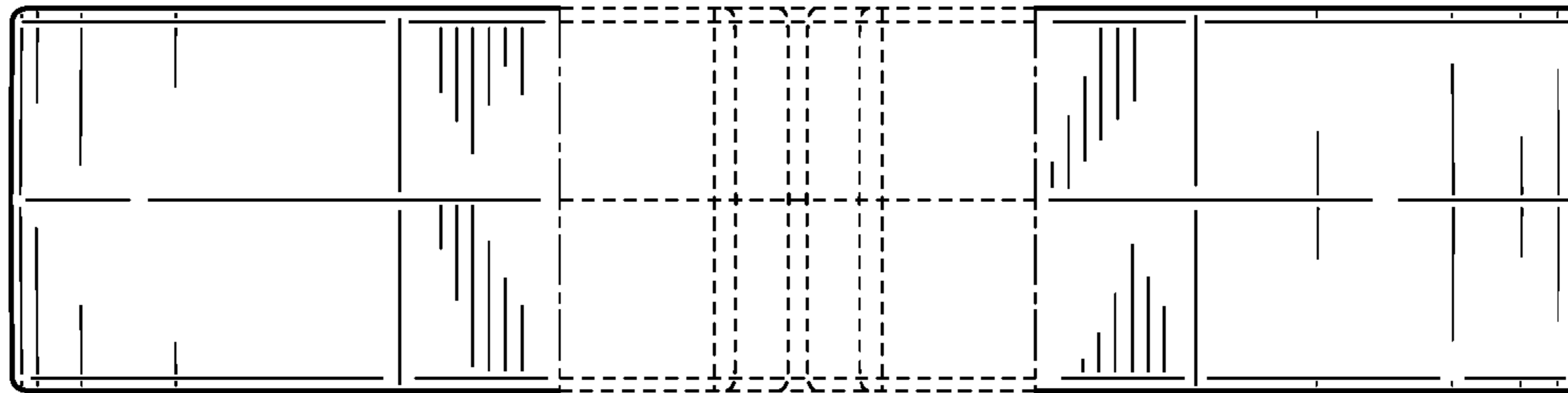


FIG. 6



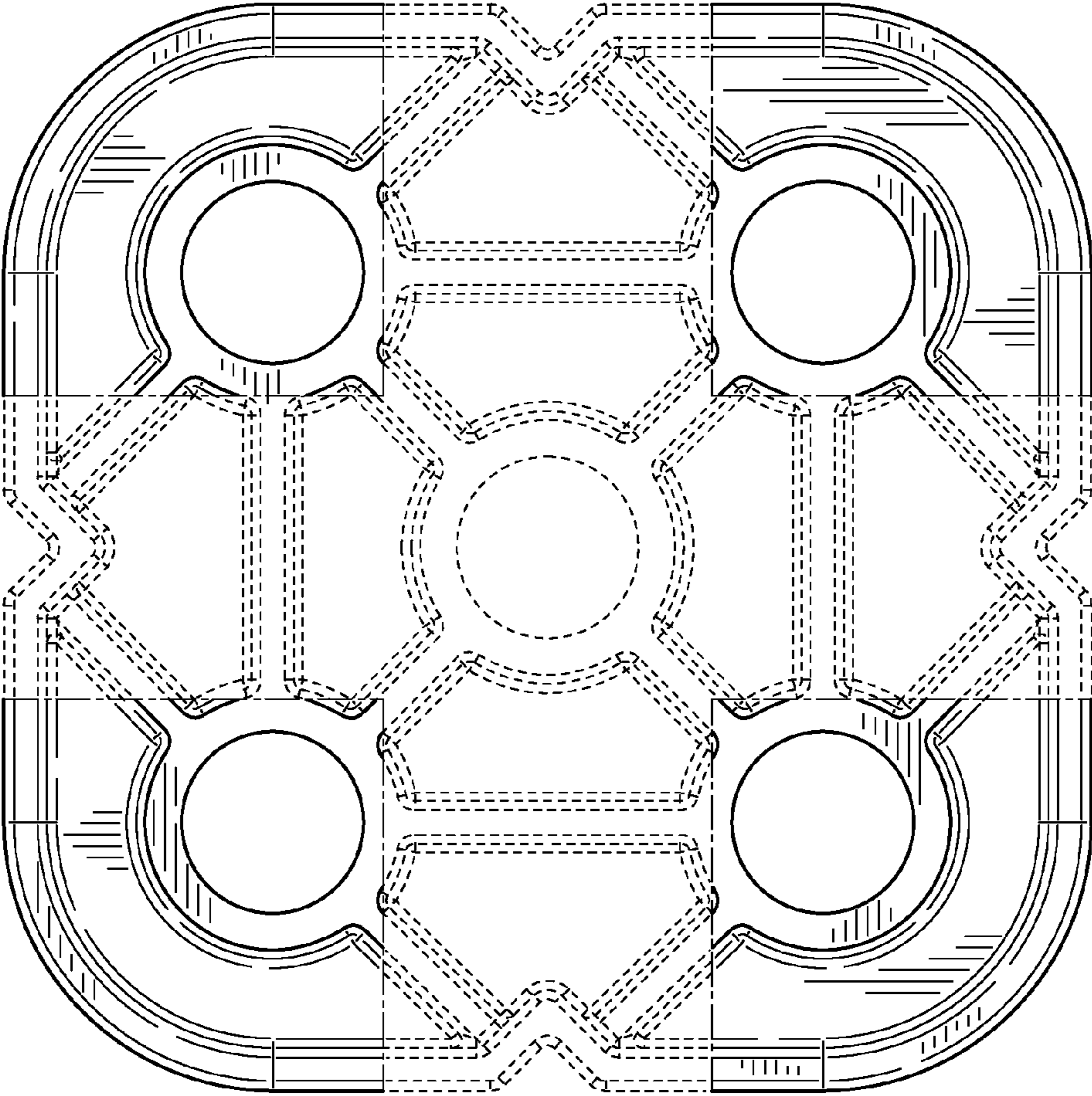


FIG. 7

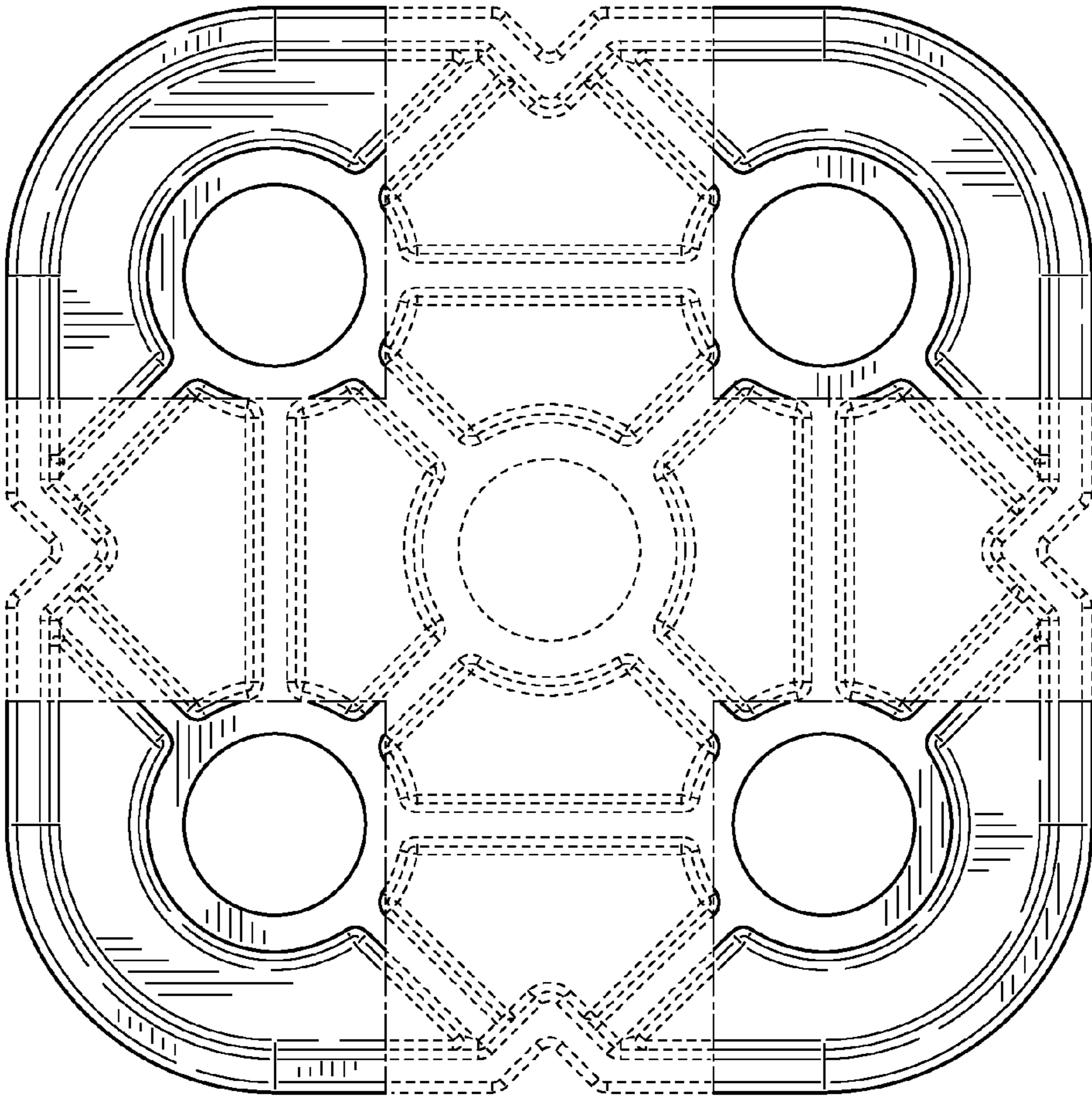


FIG. 8