



US00D716877S

(12) **United States Design Patent**  
**Raymond**

(10) **Patent No.:** **US D716,877 S**  
(45) **Date of Patent:** **\*\* Nov. 4, 2014**

- (54) **CONNECTABLE RING FOR AN ENTERTAINMENT DEVICE**
- (71) Applicant: **Timothy J. Raymond**, West Chicago, IL (US)
- (72) Inventor: **Timothy J. Raymond**, West Chicago, IL (US)
- (\*\*) Term: **14 Years**
- (21) Appl. No.: **29/451,449**
- (22) Filed: **Apr. 2, 2013**
- (51) **LOC (10) Cl.** ..... **21-01**
- (52) **U.S. Cl.**  
USPC ..... **D21/385**
- (58) **Field of Classification Search**  
USPC ..... D21/307-308, 334-368, 376-397;  
273/236-287, 288-291; 446/126, 127,  
446/91, 124  
See application file for complete search history.

2013/0165012	A1*	6/2013	Klauber et al.	.....	446/91
2013/0195547	A1*	8/2013	De Wilde	.....	403/330
2014/0045403	A1*	2/2014	Murphy	.....	446/124

\* cited by examiner

*Primary Examiner* — George D Kirschbaum

(74) *Attorney, Agent, or Firm* — Erickson Law Group, PC

(57) **CLAIM**

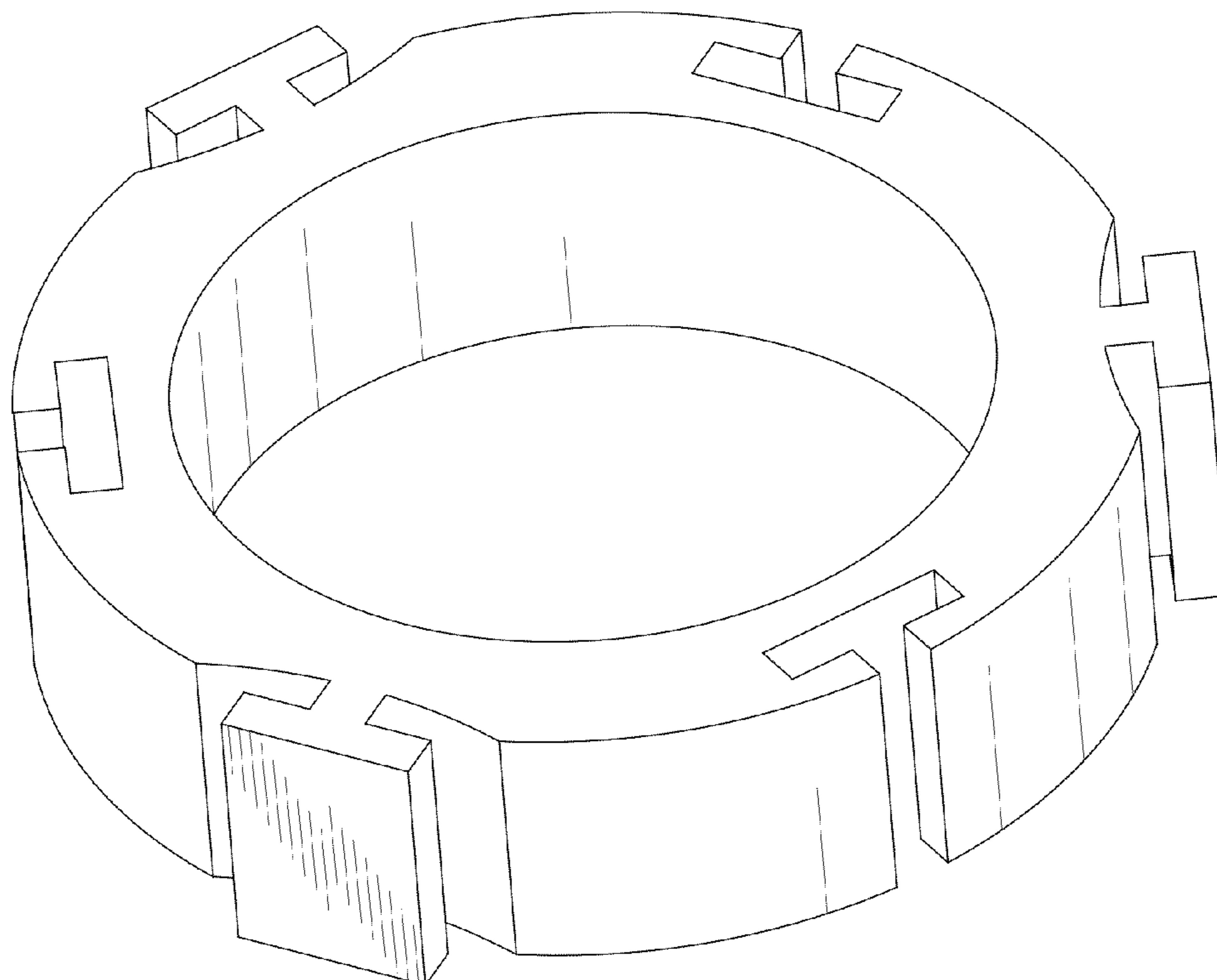
The ornamental design for a connectable ring for an entertainment device, as shown and described.

**DESCRIPTION**

FIG. 1 is a perspective view of a connectable ring for an entertainment device of the invention.  
 FIG. 2 is a top view the ring of FIG. 1.  
 FIG. 3 is a bottom view the ring of FIG. 1.  
 FIG. 4 is a front view the ring of FIG. 2.  
 FIG. 5 is a rear view the ring of FIG. 2.  
 FIG. 6 is a right side view the ring of FIG. 2.  
 FIG. 7 is a left side view the ring of FIG. 2.  
 FIG. 8 is a perspective view of the ring of FIG. 1 connected to a set of interconnected rings; and,  
 FIG. 9 is a perspective view of the ring of FIG. 1 shown floating in a body of water, the ring having a cup placed therein.  
 The items and environment shown in broken lines in FIGS. 8 and 9 are not part of the claimed design and are not intended to limit the claimed design.

- (56) **References Cited**  
U.S. PATENT DOCUMENTS  
6,676,474 B2\* 1/2004 Glickman ..... 446/126  
6,843,700 B2\* 1/2005 Glickman ..... 446/127  
8,152,404 B2\* 4/2012 Berg ..... 403/356  
2012/0118848 A1\* 5/2012 Hendrickson et al. .... 215/40

**1 Claim, 7 Drawing Sheets**



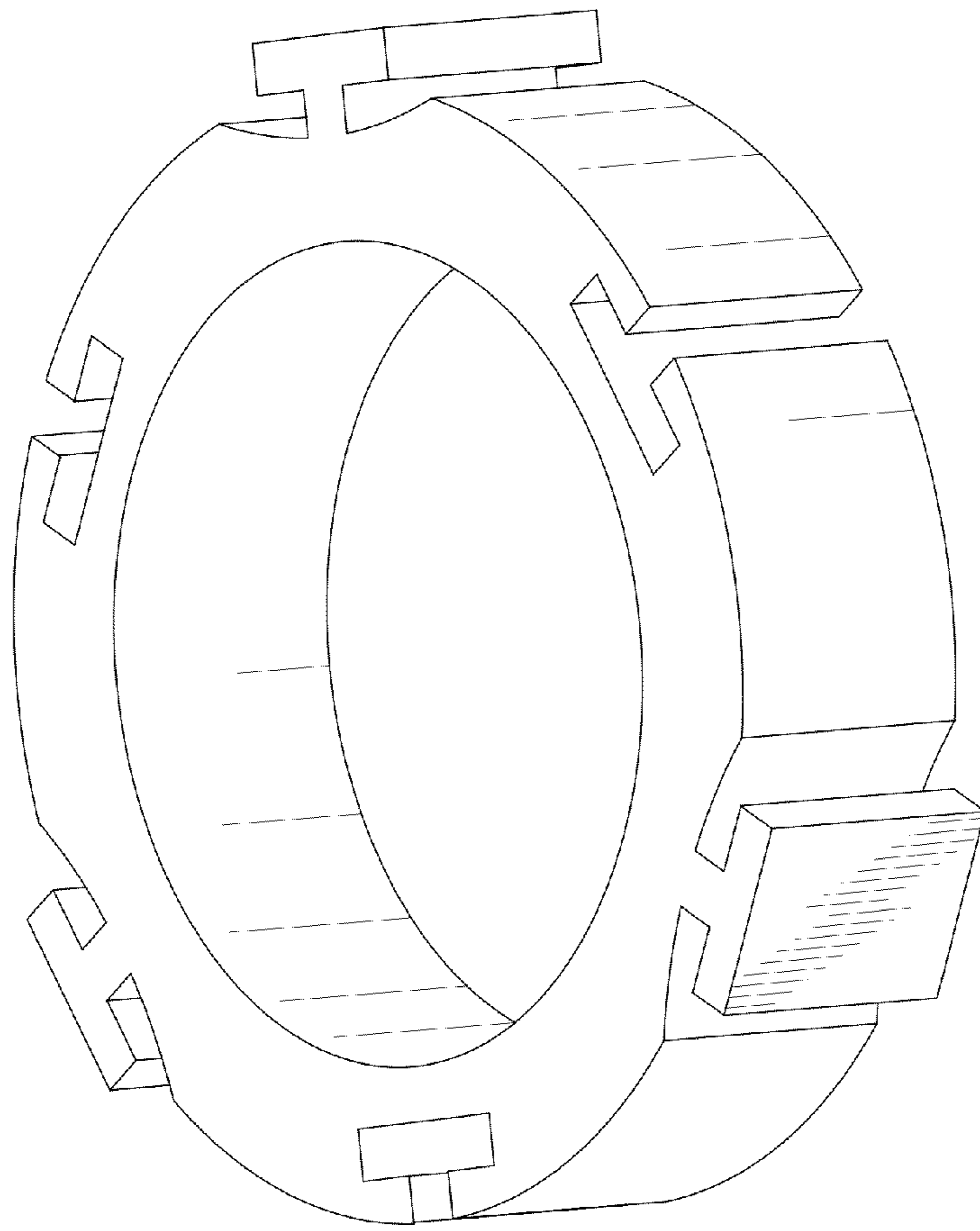


Fig. 1

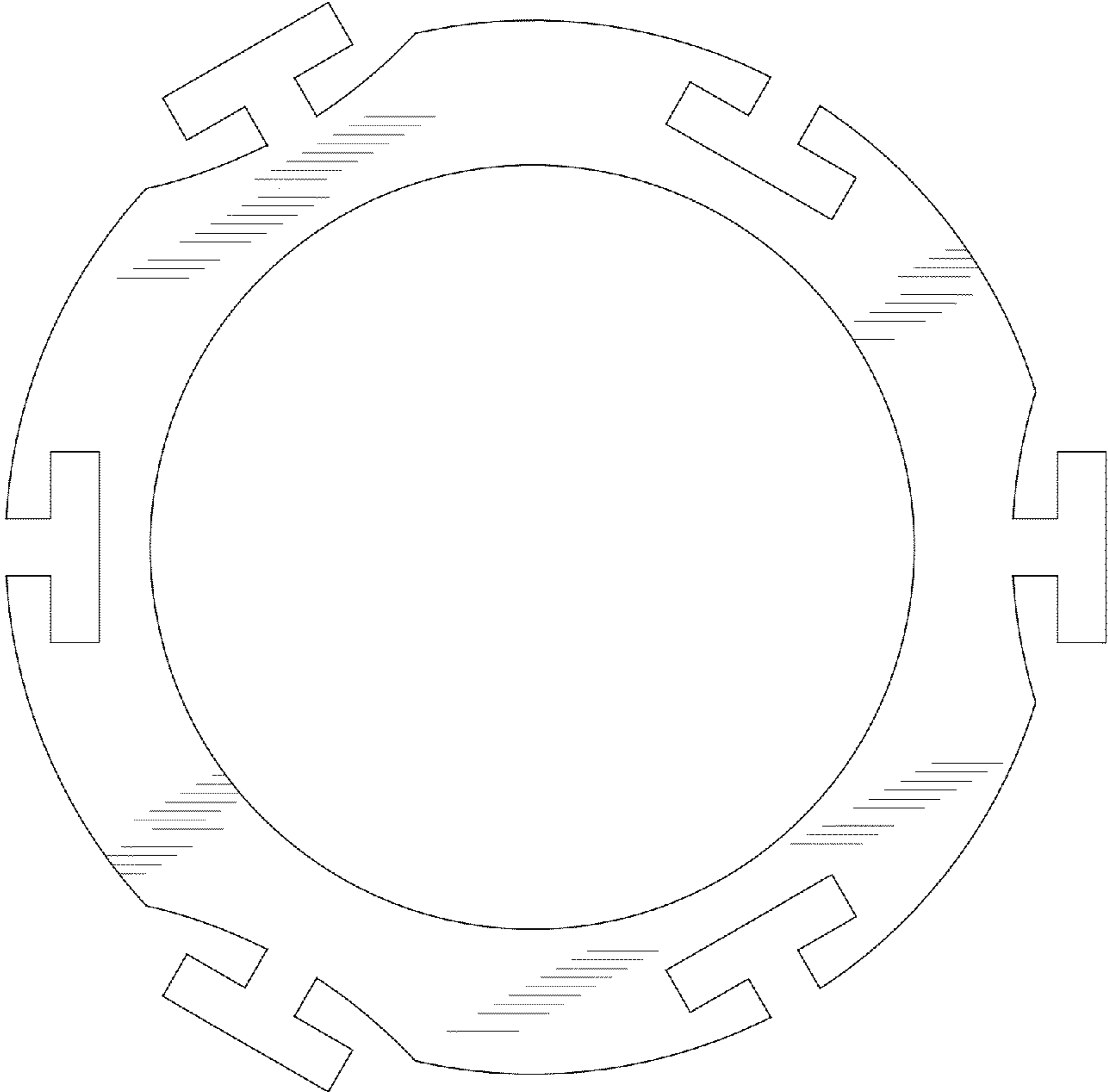


Fig. 2

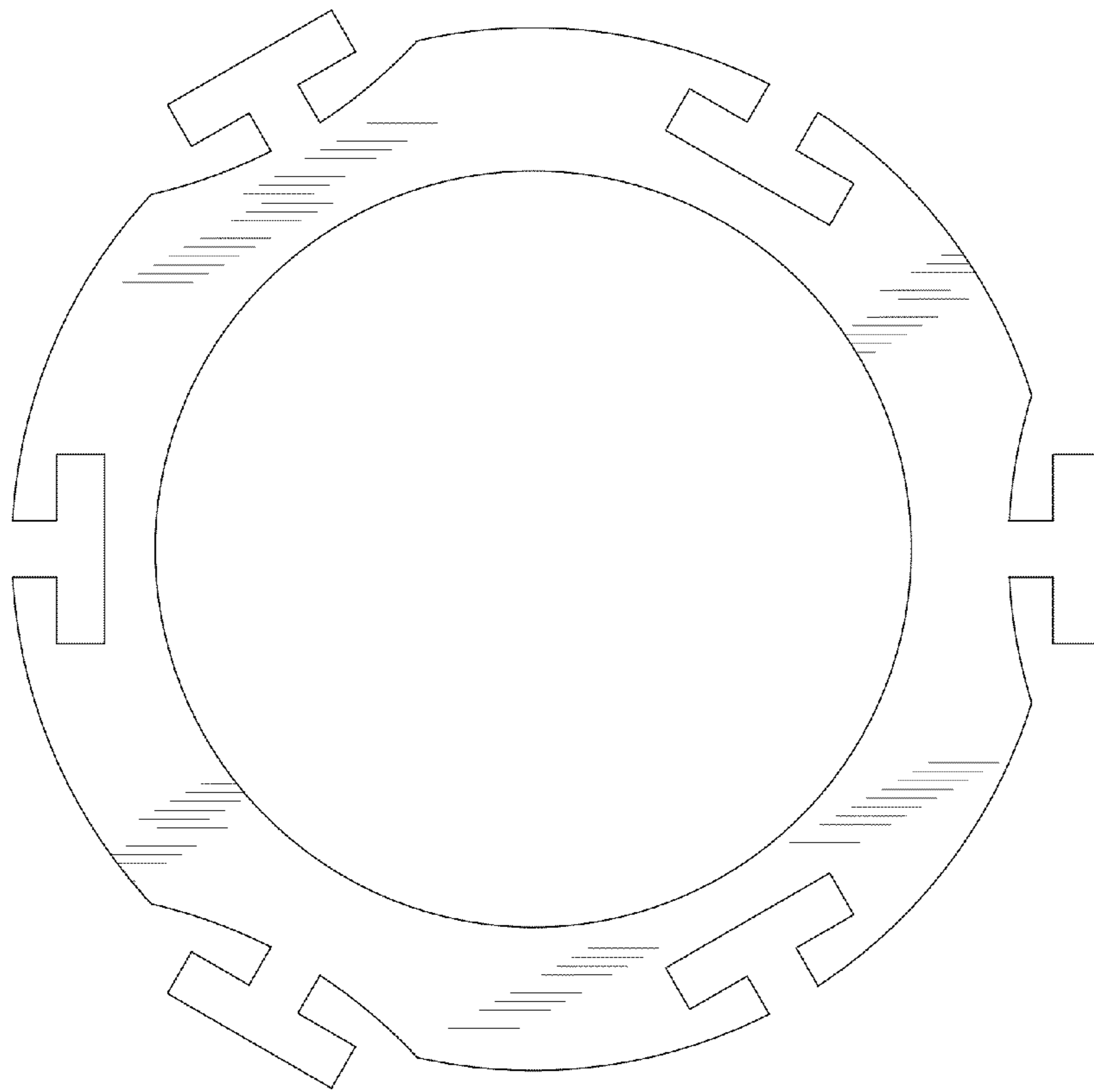


Fig. 3

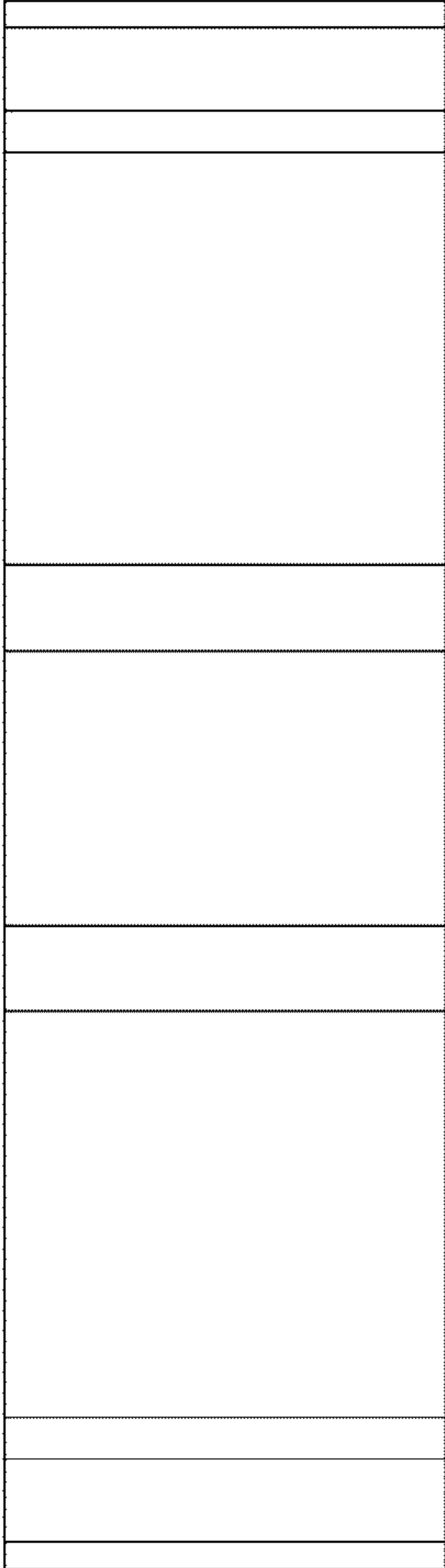


Fig. 4

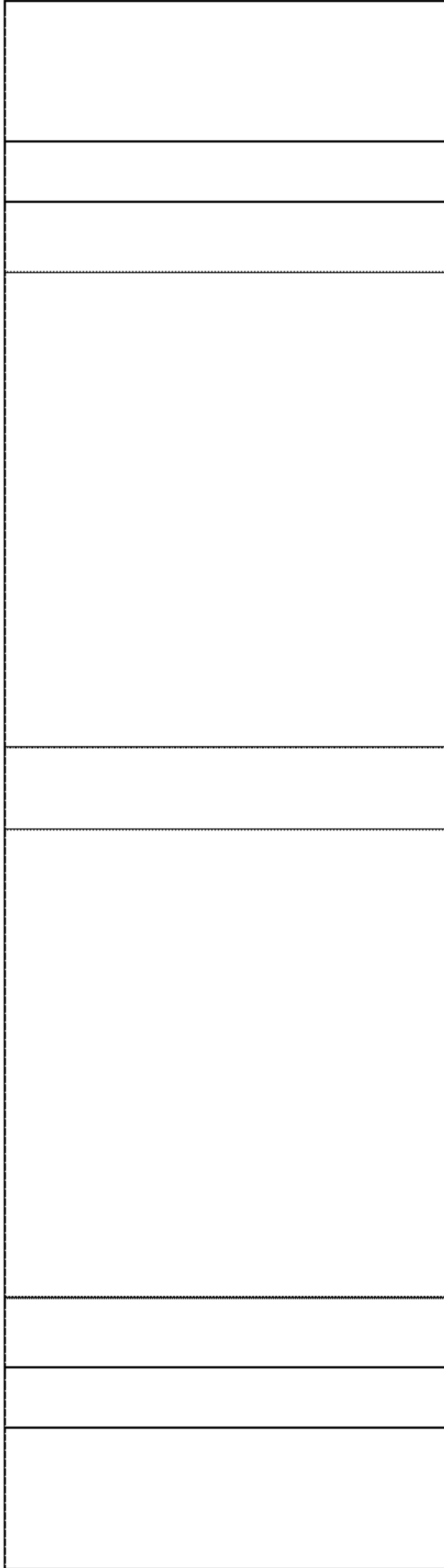


Fig. 5

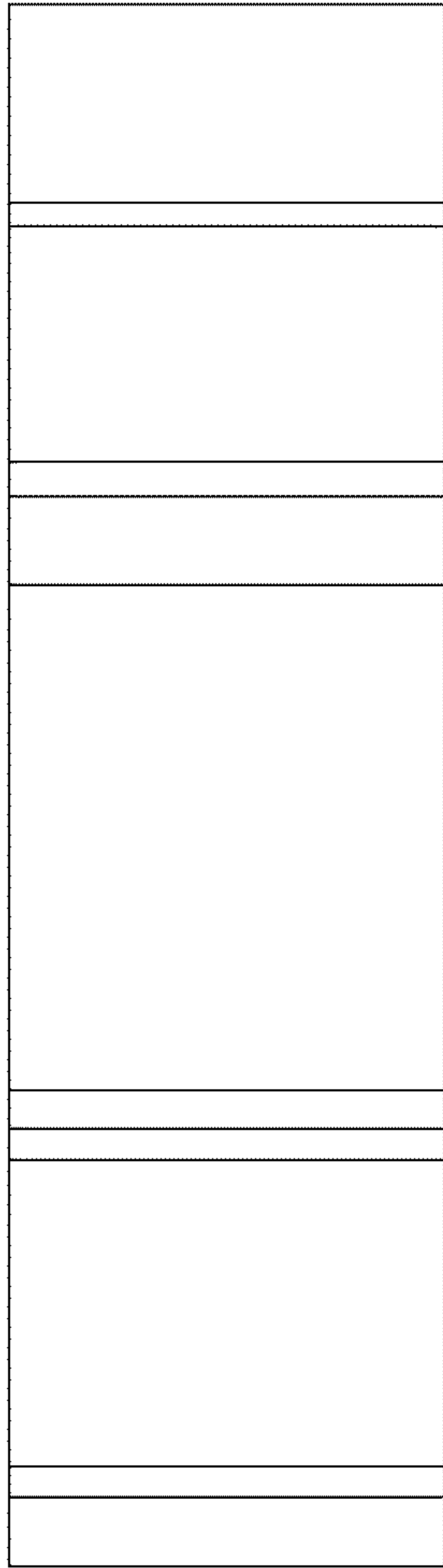


Fig. 6

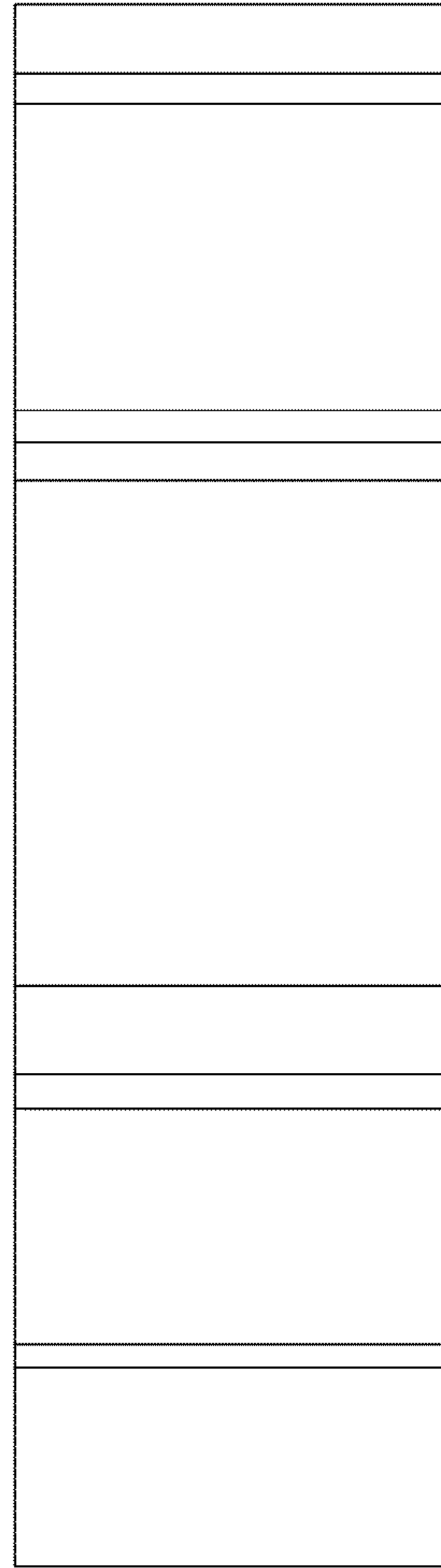


Fig. 7

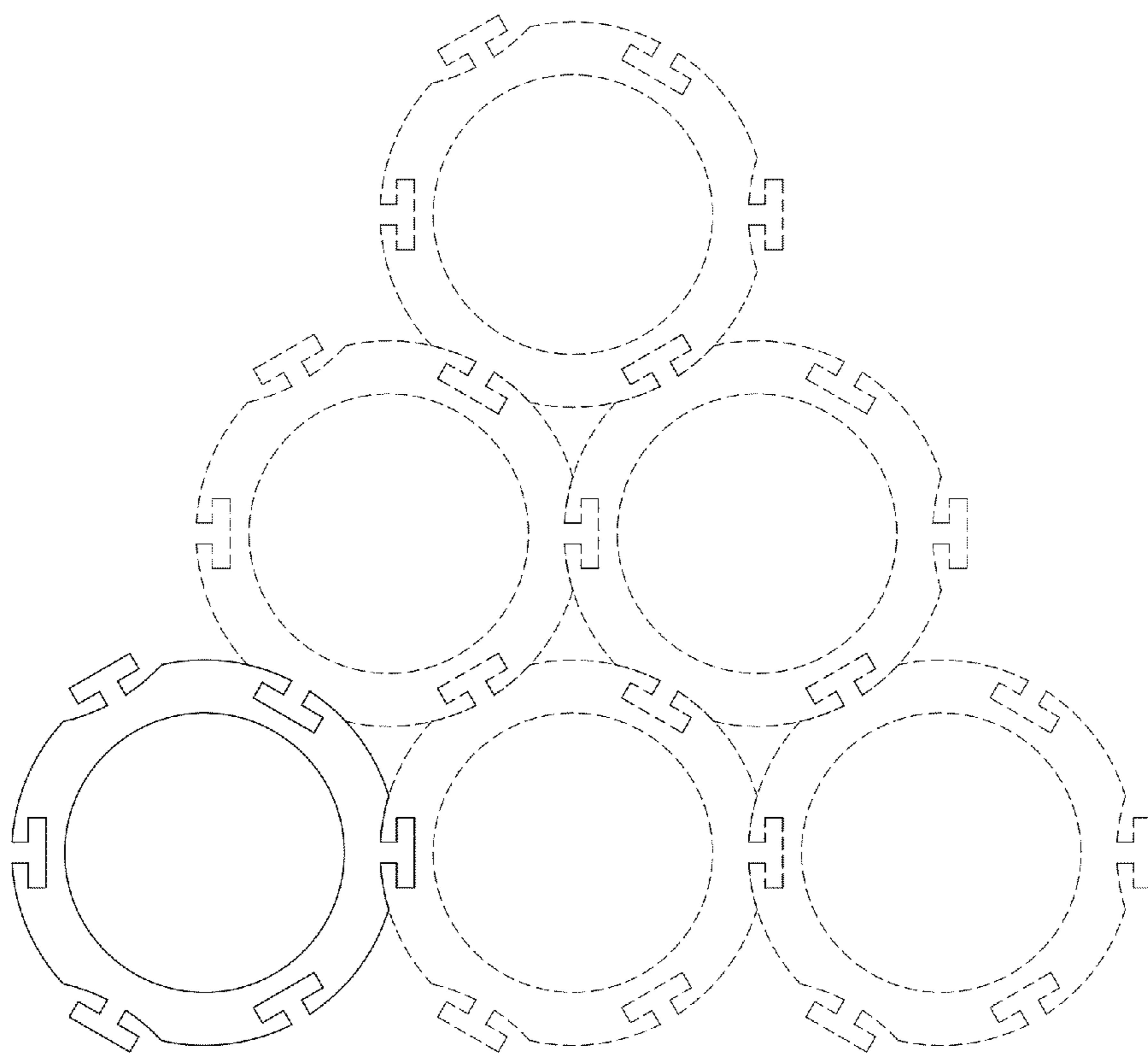


Fig. 8

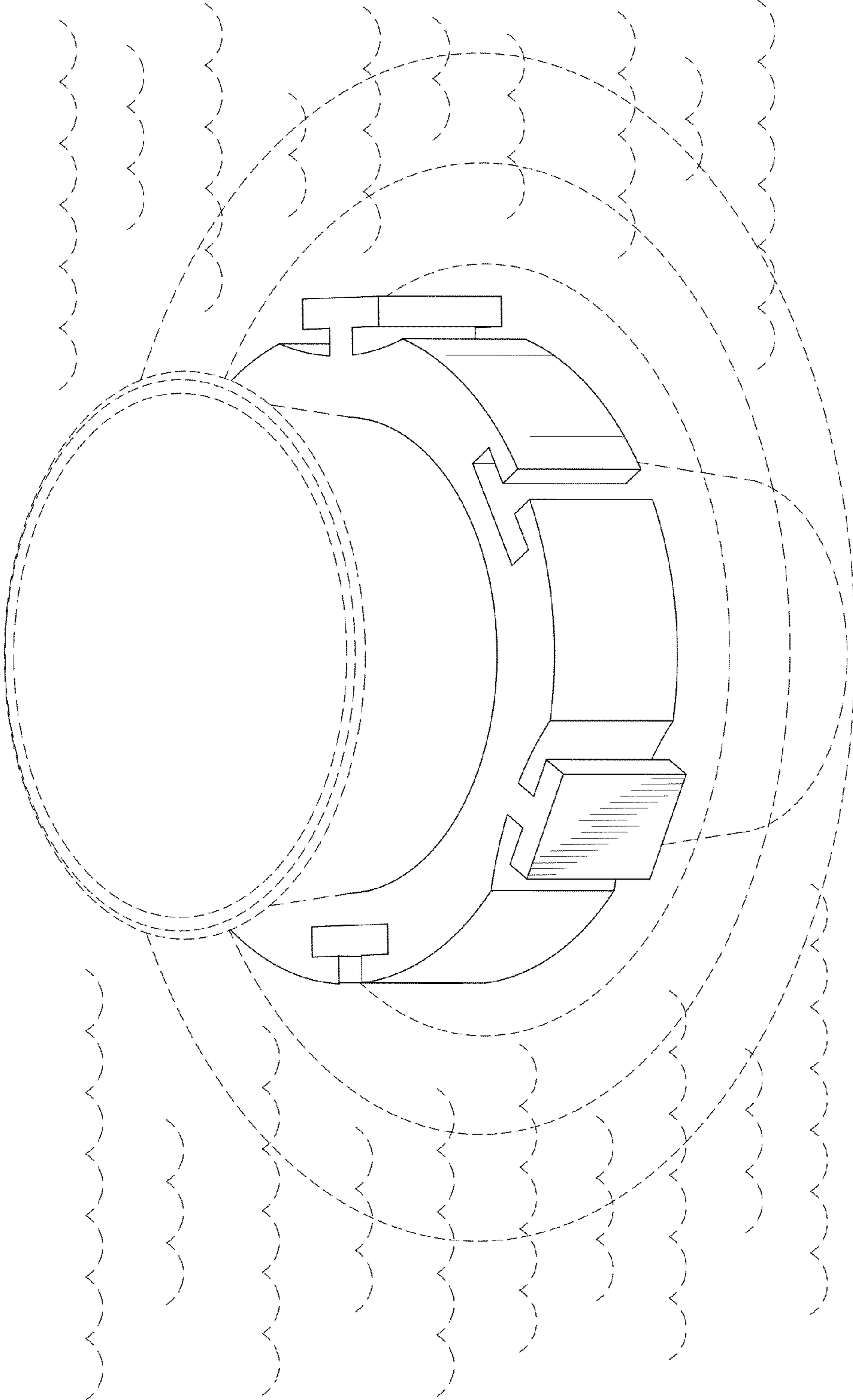


Fig. 9