



US00D716870S

(12) **United States Design Patent**
Jungst

(10) **Patent No.:** **US D716,870 S**

(45) **Date of Patent:** **** Nov. 4, 2014**

(54) **STAND**

(71) Applicant: **Richard D. Jungst**, Littleton, CO (US)

(72) Inventor: **Richard D. Jungst**, Littleton, CO (US)

(**) Term: **14 Years**

(21) Appl. No.: **29/489,029**

(22) Filed: **Apr. 25, 2014**

(51) **LOC (10) Cl.** **19-02**

(52) **U.S. Cl.**
USPC **D19/91**

(58) **Field of Classification Search**
USPC D6/629, 683.1; D19/75, 77, 78, 86-91;
206/39.5, 215, 233, 425, 449, 494.55;
211/10, 11, 45, 50, 55, 87.01, 126.13,
211/126.16

See application file for complete search history.

(56) **References Cited**

U.S. PATENT DOCUMENTS

1,415,110	A *	5/1922	Pearl	211/11
3,300,057	A *	1/1967	Wheaton	211/184
3,557,965	A *	1/1971	Agerholm	211/11
3,767,057	A *	10/1973	Holmes	211/10
4,163,497	A *	8/1979	McEwen	211/11
4,507,330	A *	3/1985	Schaaf	427/98.5
D302,569	S *	8/1989	Albright et al.	D19/91
D308,077	S *	5/1990	Gecchelin	D19/90
D357,939	S *	5/1995	Turmala	D19/90
D445,287	S *	7/2001	Kujala	D6/629
6,607,084	B1 *	8/2003	Spinelli	211/71.01
D665,451	S *	8/2012	Dambricourt	D19/90

OTHER PUBLICATIONS

Deluxe Cookbook Holder with Wooden Base by CS Household, located at www.amazon.com/Deluxe-Cookbook-Holder-Wooden-Base/dp/B0000X11O6, 5 pp.

Kamenstein Cookbook Holder with Acrylic Page Protector, located at www.popscreenc.com/p/MTUxNDUxNDg3/ Amazoncom-Kamenstein-Cookbook-Holder-with-Acrylic-Page-Protector-, 3 pp.
Musings of a Madwoman, Best New Thing Ever, located at www.zeromusings.com/2011/10/best-new-thing-ever.html, Oct. 17, 2011, 4 pp.

* cited by examiner

Primary Examiner — Elizabeth Albert

(74) *Attorney, Agent, or Firm* — Mark D. Trenner; Trenner Law Firm, LLC

(57) **CLAIM**

The ornamental design for a stand, as shown and described.

DESCRIPTION

FIG. 1 is a perspective view of a stand showing my new design;

FIG. 2 is a front view of FIG. 1;

FIG. 3 is a back view of FIG. 1;

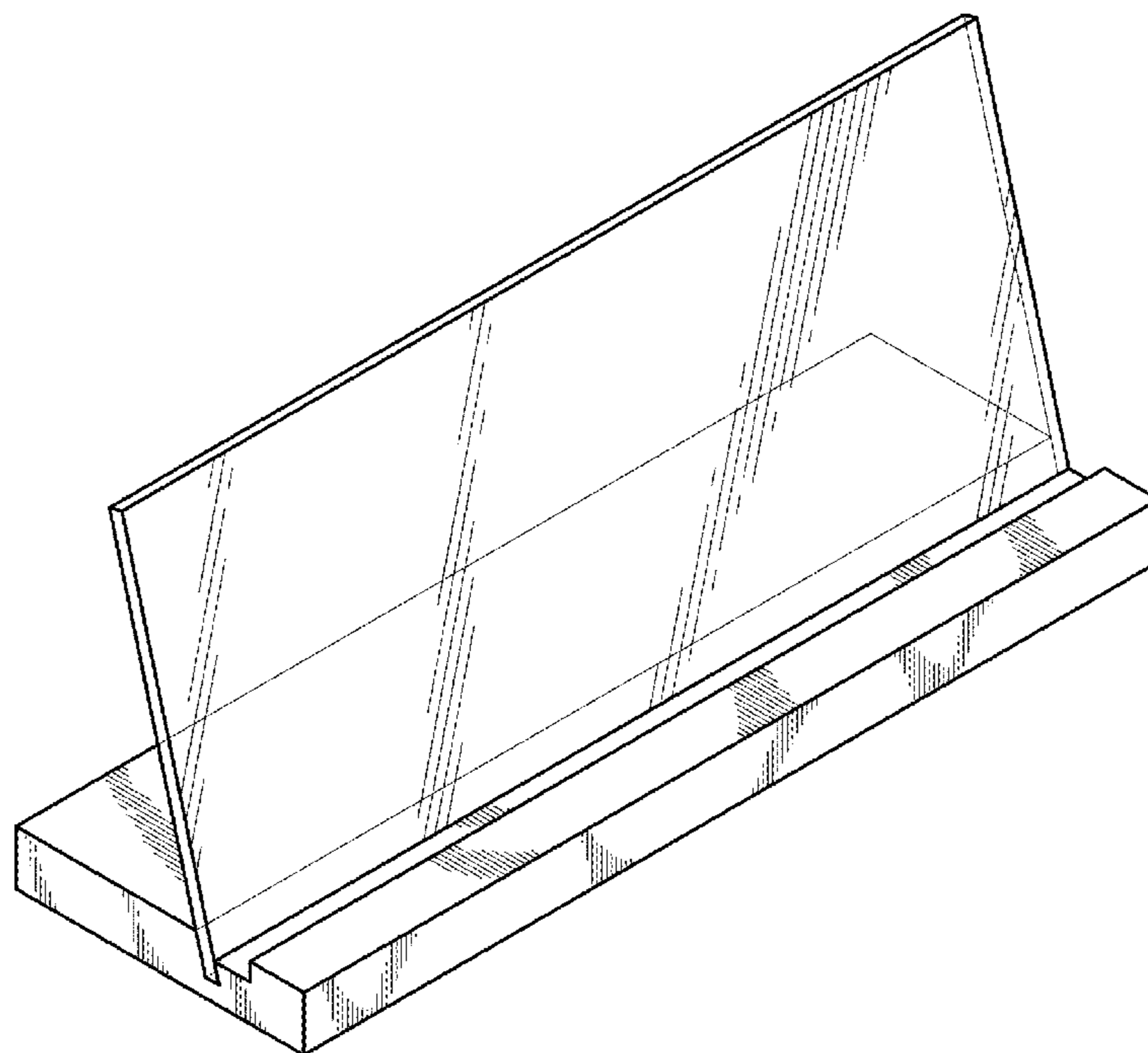
FIG. 4 is a right side view of FIG. 1;

FIG. 5 is a left side view of FIG. 1;

FIG. 6 is a top view of FIG. 1; and,

FIG. 7 is a bottom view of FIG. 1.

1 Claim, 6 Drawing Sheets



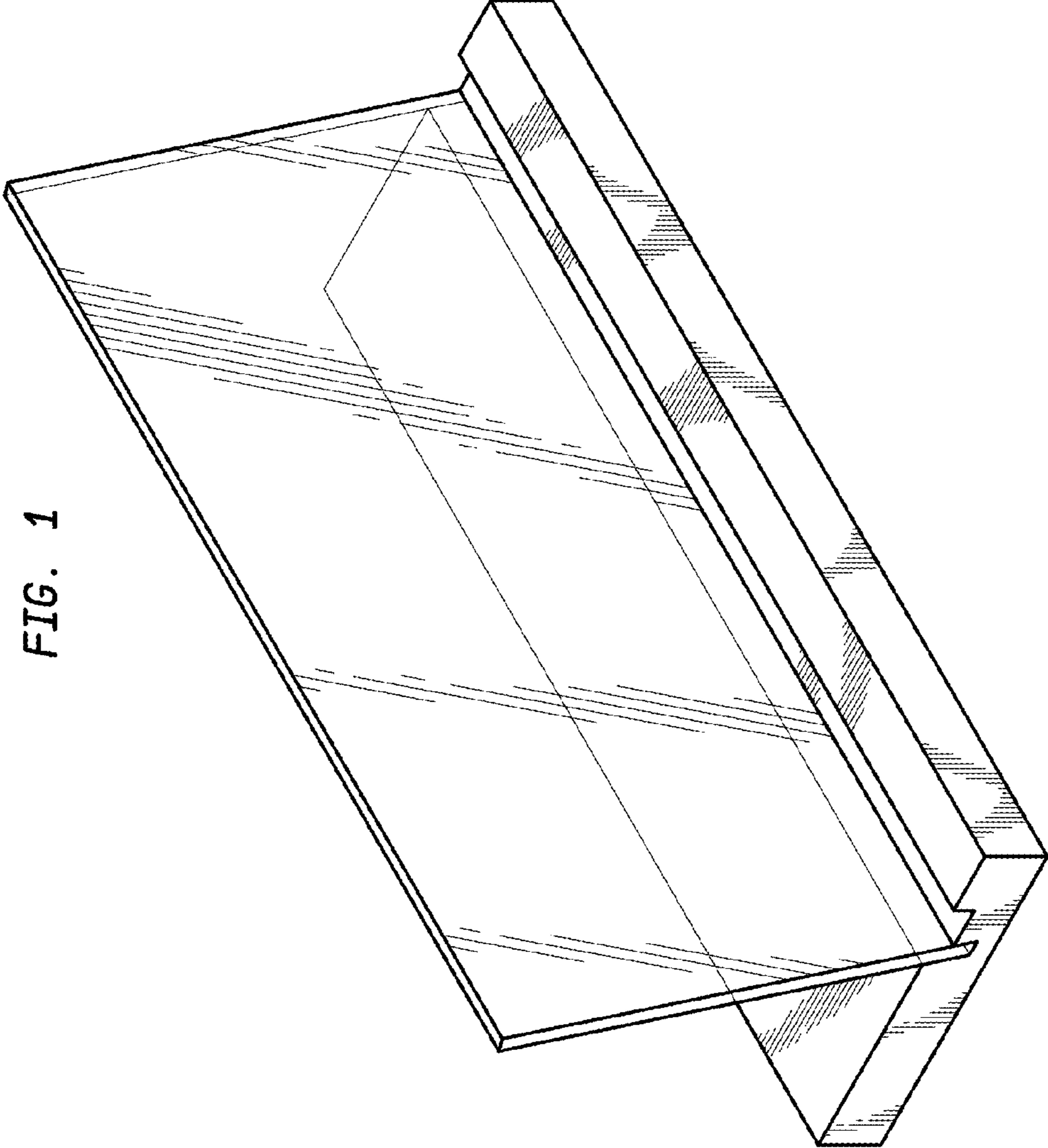


FIG. 1

FIG. 2

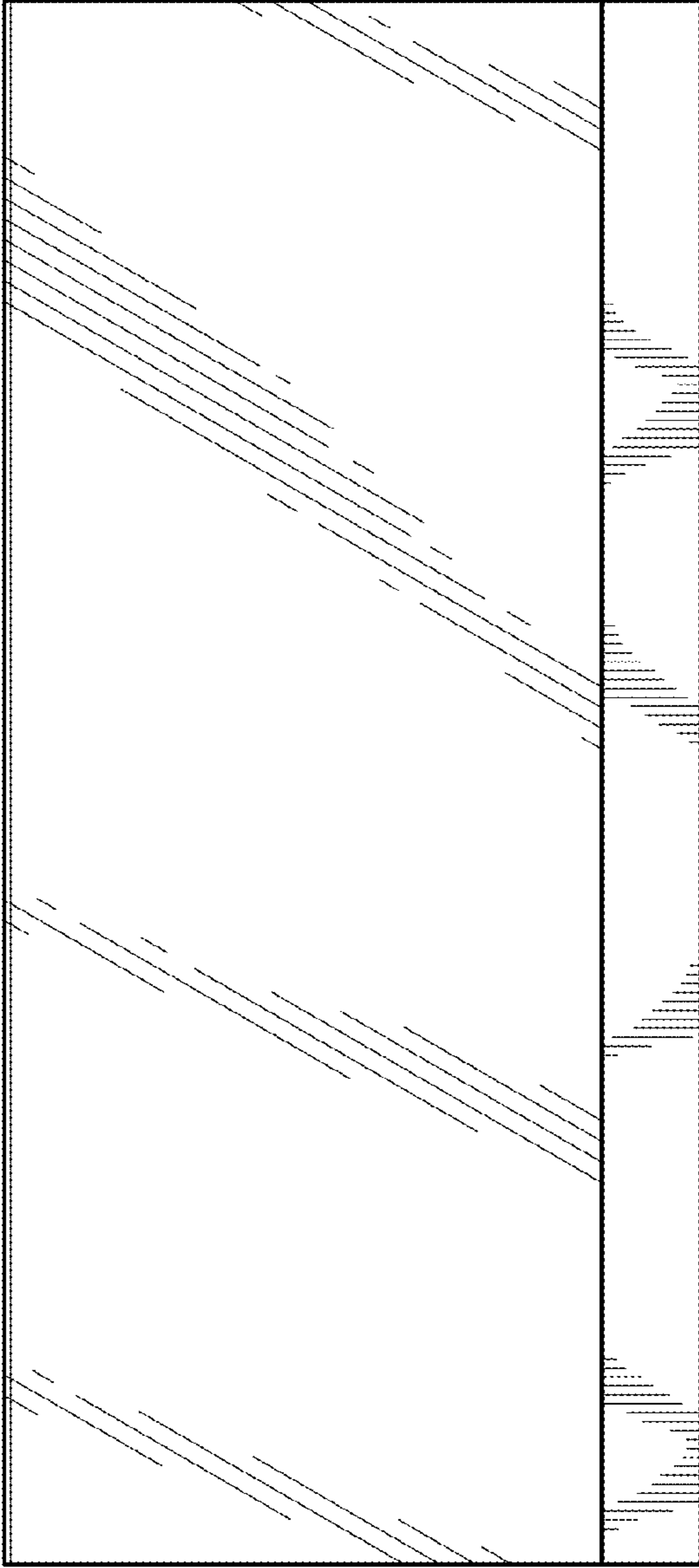


FIG. 3

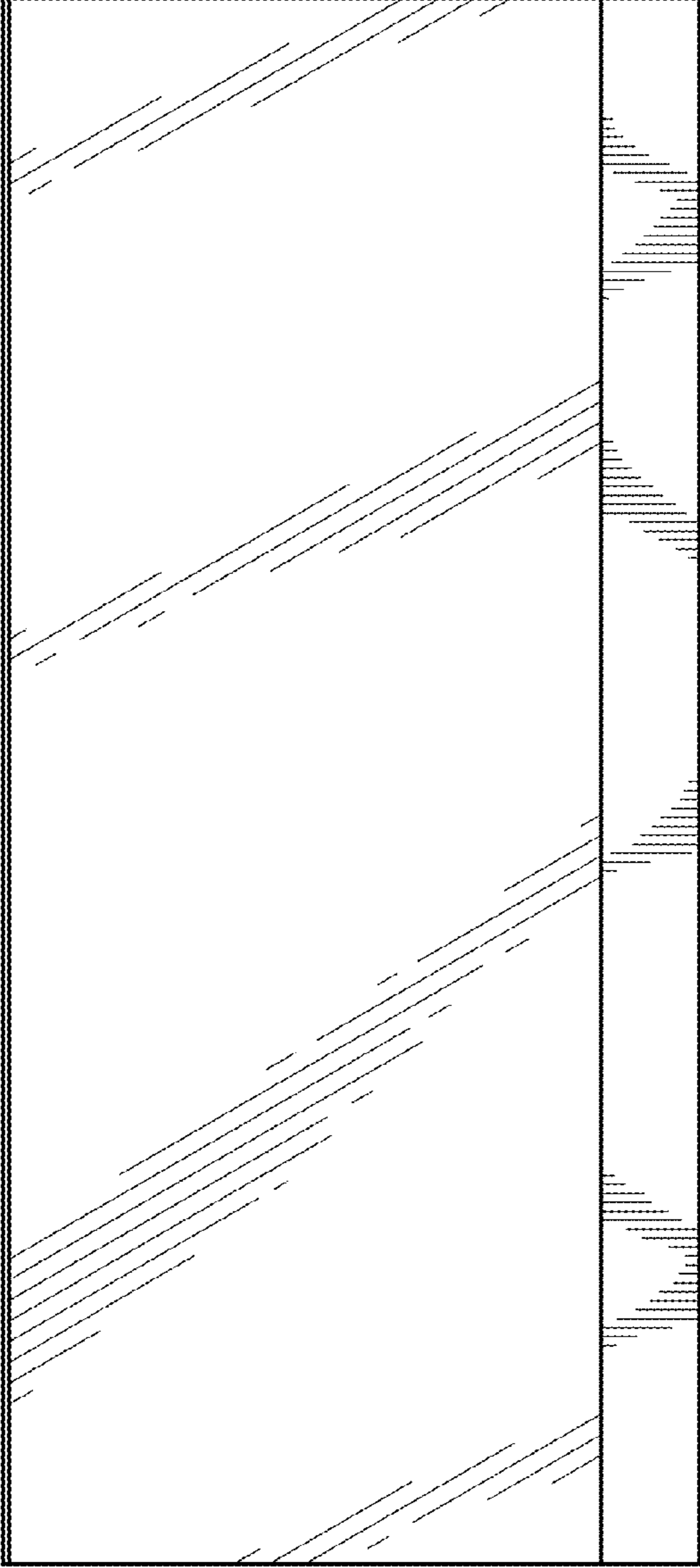


FIG. 4

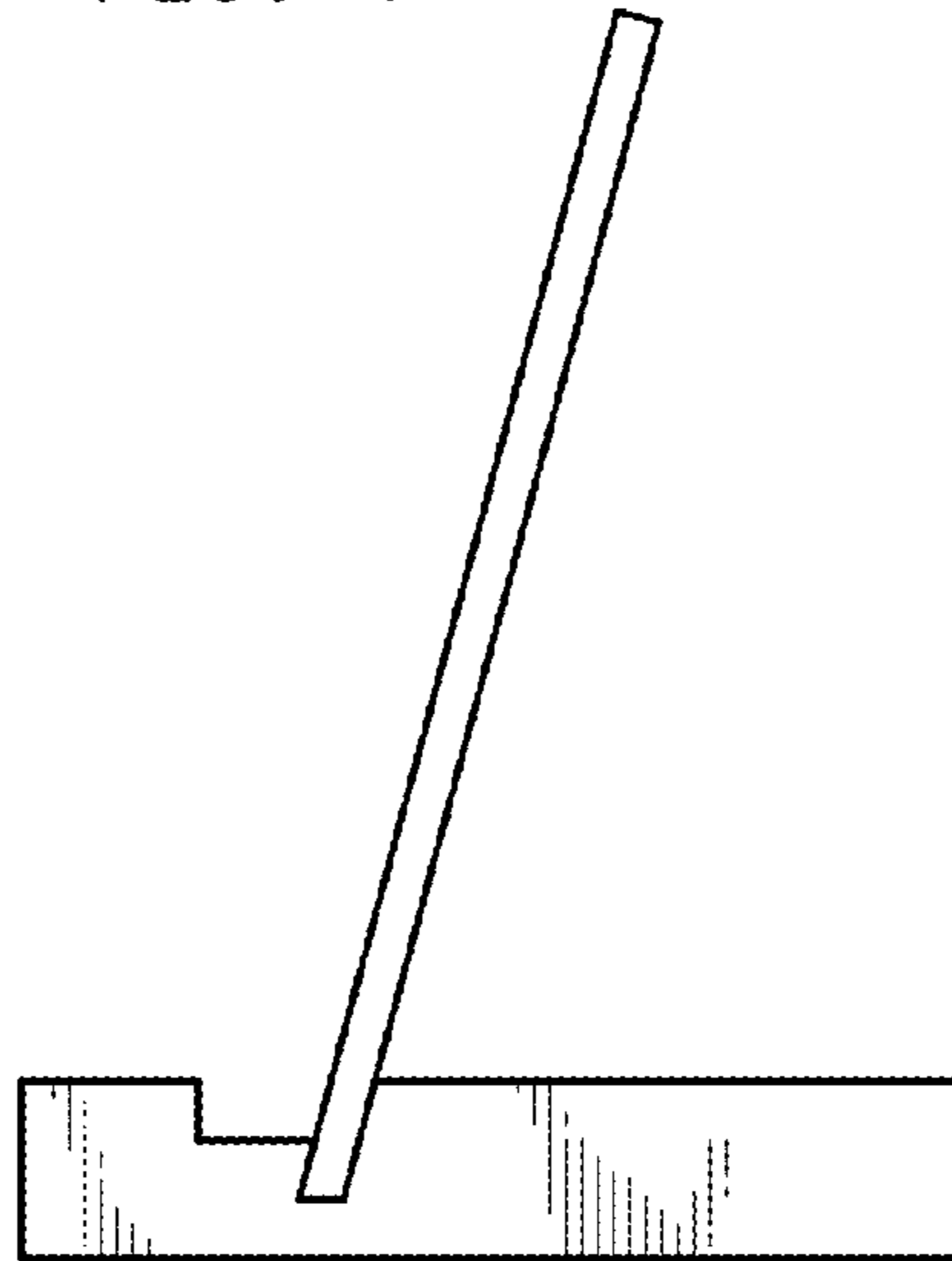


FIG. 5

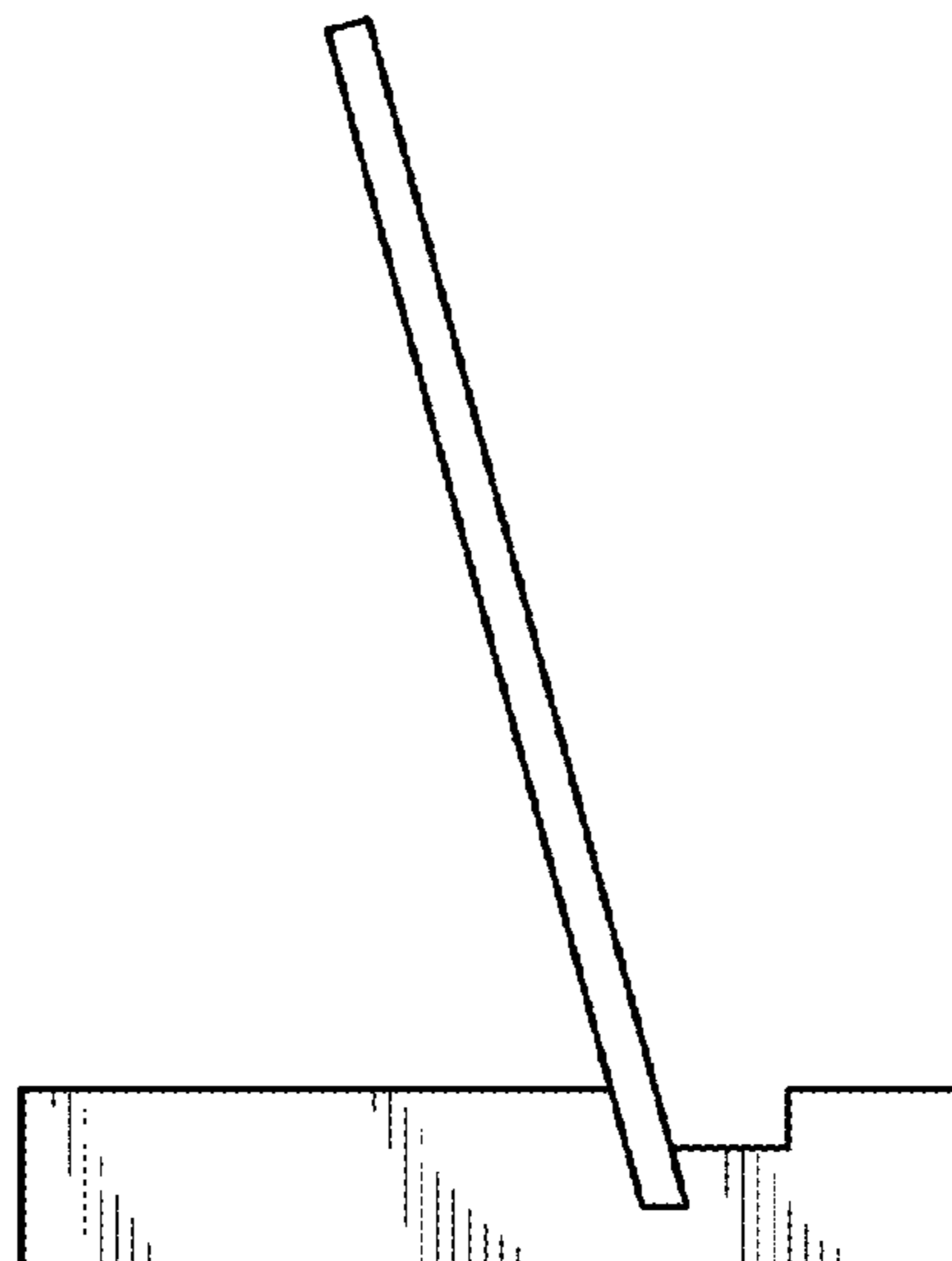


FIG. 6

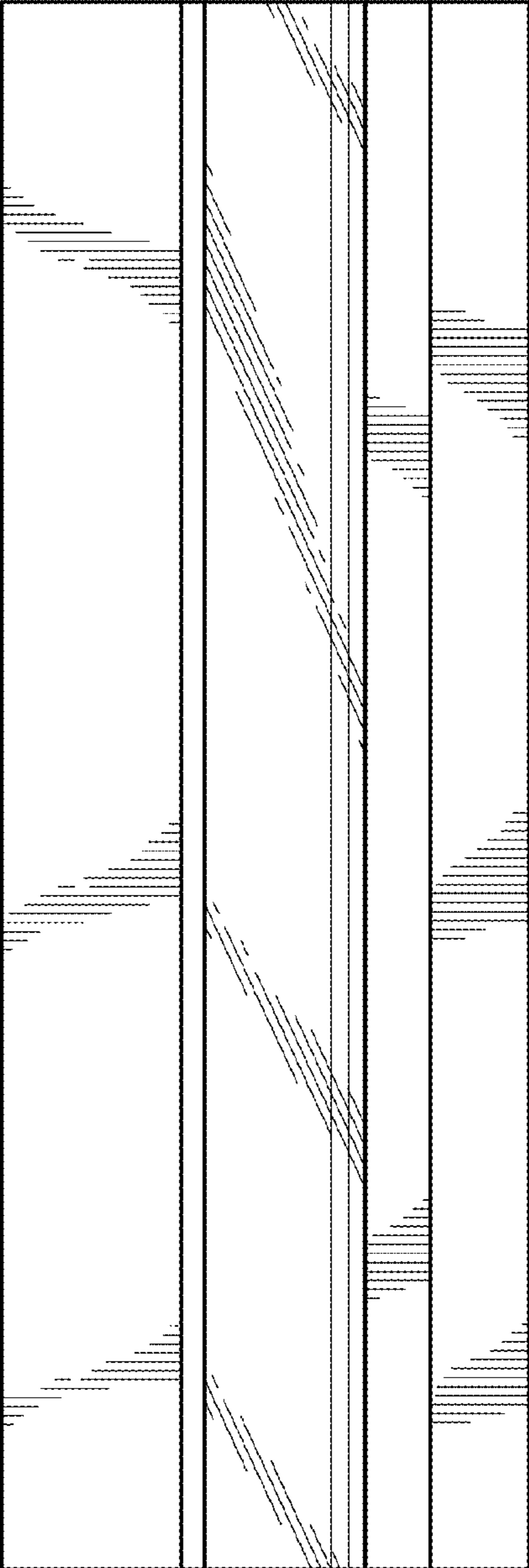


FIG. 7

