



US00D716869S

(12) **United States Design Patent**
Fukaya et al.

(10) **Patent No.:** **US D716,869 S**
(45) **Date of Patent:** **** Nov. 4, 2014**

(54) **MODEL OF LACHRYMAL DUCT**
(71) Applicant: **Kaneka Corporation**, Osaka (JP)
(72) Inventors: **Kohei Fukaya**, Settsu (JP); **Mariko Matsumoto**, Settsu (JP)
(73) Assignee: **Kaneka Corporation**, Osaka-Shi (JP)
(**) Term: **14 Years**
(21) Appl. No.: **29/439,622**

(22) Filed: **Dec. 13, 2012**
(30) **Foreign Application Priority Data**
Jul. 10, 2012 (JP) D2012-016352
(51) **LOC (10) Cl.** **19-07**
(52) **U.S. Cl.**
USPC **D19/62**
(58) **Field of Classification Search**
USPC D19/59-64, 99-100; 264/277, 305;
434/82, 262, 265, 267, 270-272;
604/28-29, 174-175, 523-524,
604/533-534, 544; 137/557; D23/245
See application file for complete search history.

(56) **References Cited**
U.S. PATENT DOCUMENTS
2,053,357 A * 9/1936 Winder 264/305
3,613,265 A * 10/1971 Stern et al. 264/277
3,802,096 A * 4/1974 Matern 434/270
D256,373 S * 8/1980 Marks D19/62
D258,668 S * 3/1981 Moss D19/62
4,288,222 A * 9/1981 Kling 434/272
4,938,696 A * 7/1990 Foster et al. 434/267
5,090,910 A * 2/1992 Narlo 434/82
5,807,311 A * 9/1998 Palestrant 604/28

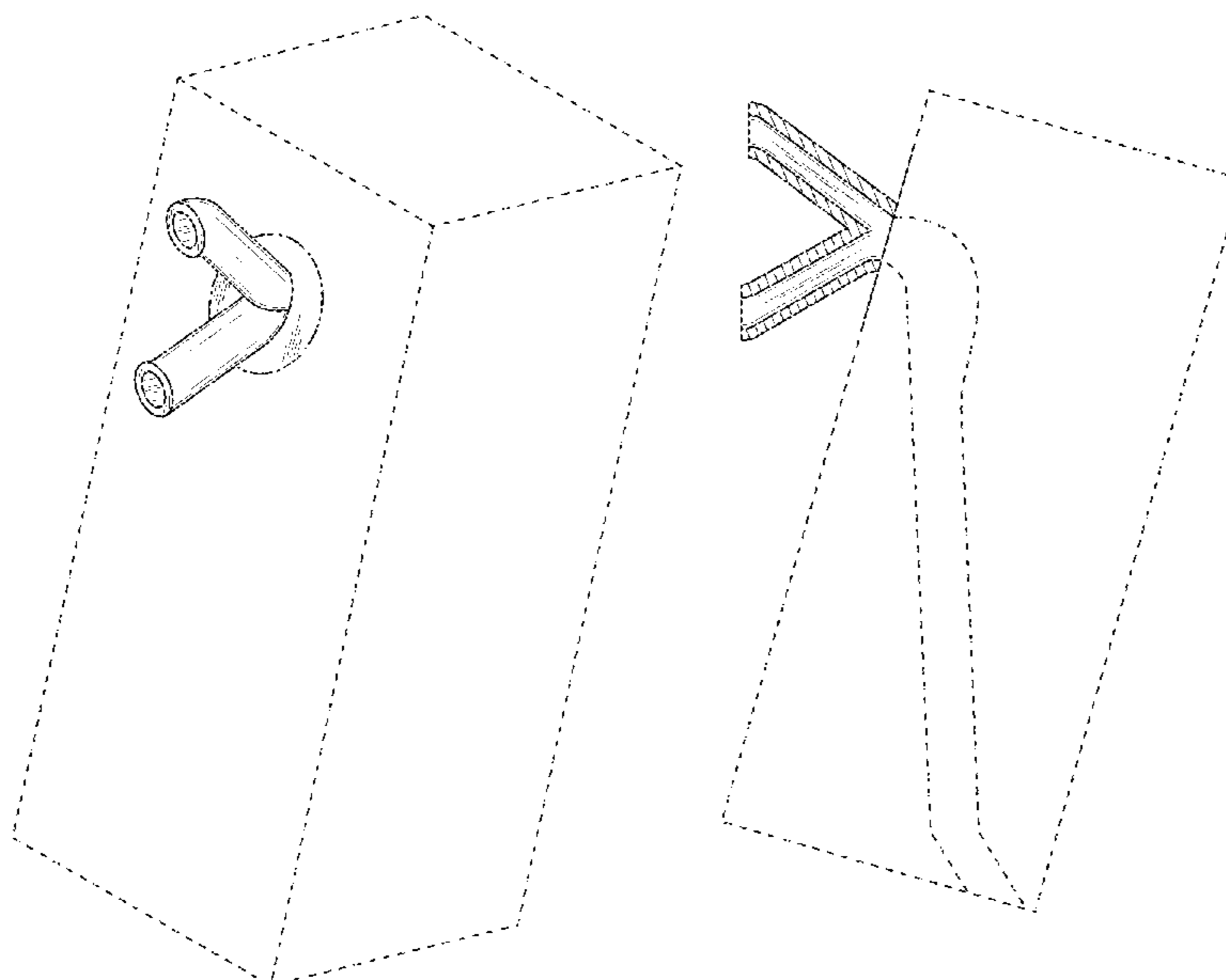
D413,629 S * 9/1999 Wolff D19/62
6,321,782 B1 * 11/2001 Hollister 137/557
6,428,513 B1 * 8/2002 Abrahamson 604/174
D498,819 S * 11/2004 Goetz et al. D23/245
6,872,198 B1 * 3/2005 Wilson et al. 604/175
D534,216 S * 12/2006 Makower et al. D19/62
7,377,915 B2 * 5/2008 Rasmussen et al. 604/523
7,875,019 B2 * 1/2011 Barron et al. 604/534
7,883,502 B2 * 2/2011 Powers et al. 604/523
8,021,321 B2 * 9/2011 Zawacki 604/29
8,529,544 B2 * 9/2013 Haarala et al. 604/533
8,617,116 B2 * 12/2013 Davey 604/175
2003/0153898 A1 * 8/2003 Schon et al. 604/544

* cited by examiner
Primary Examiner — T. Chase Nelson
Assistant Examiner — Mark Cavanna
(74) *Attorney, Agent, or Firm* — Birch, Stewart, Kolasch & Birch, LLP

(57) **CLAIM**
The ornamental design for a model of lachrymal duct, as shown and described.

DESCRIPTION
FIG. 1 is a top, right perspective view of a model of lachrymal duct showing the new design;
FIG. 2 is a front view thereof;
FIG. 3 is a back view thereof;
FIG. 4 is a right side view thereof;
FIG. 5 is a left side view thereof;
FIG. 6 is a top view thereof;
FIG. 7 is a bottom view thereof; and,
FIG. 8 is a cross sectional view of FIG. 5 taken along line 8-8. The broken lines are for illustrative purposes only and form no part of the claimed design. Also, the alternate and short dash lines in FIGS. 1, 5, and 6 are boundary lines and form no part of the claimed design.

1 Claim, 5 Drawing Sheets



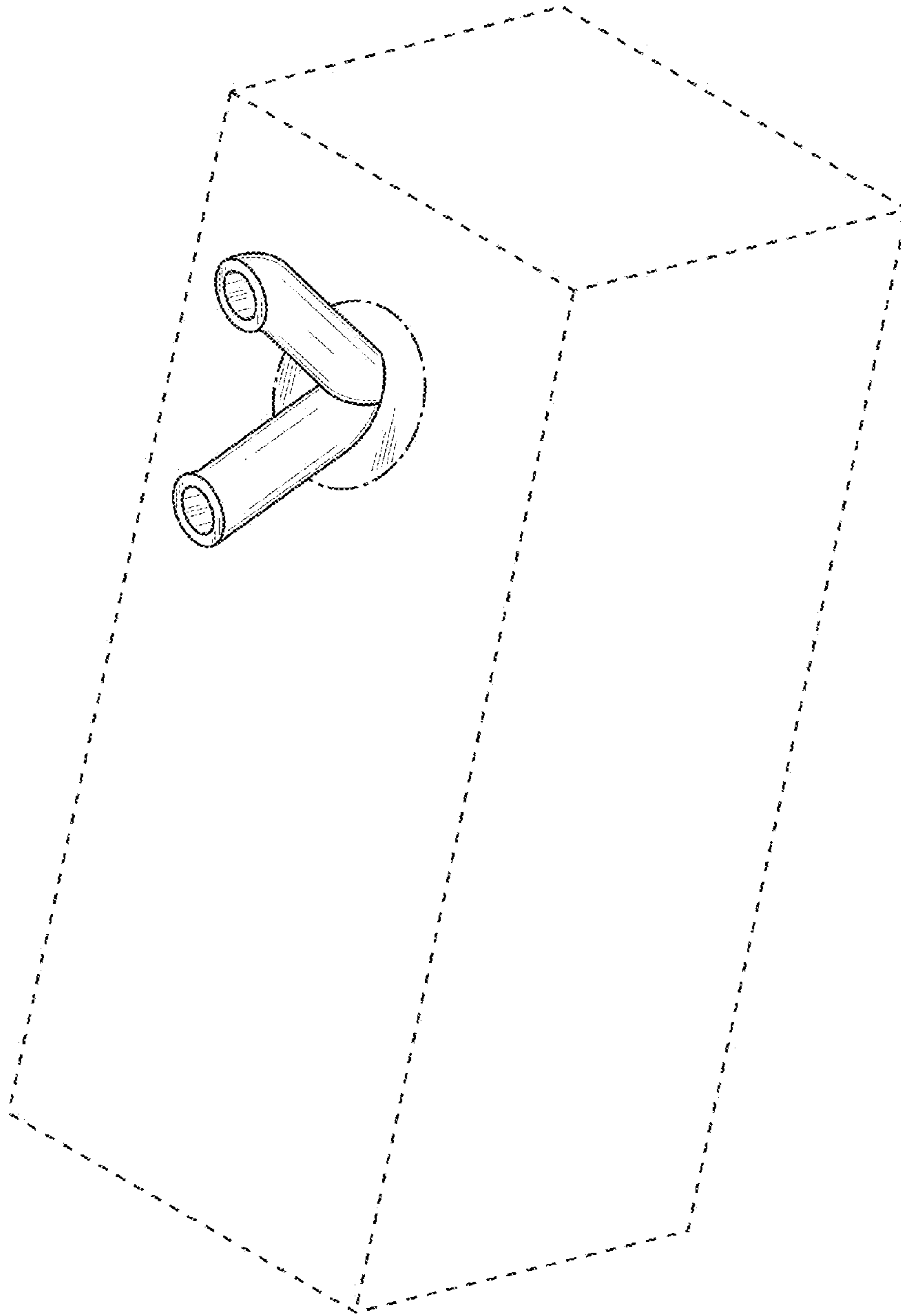


FIG. 1

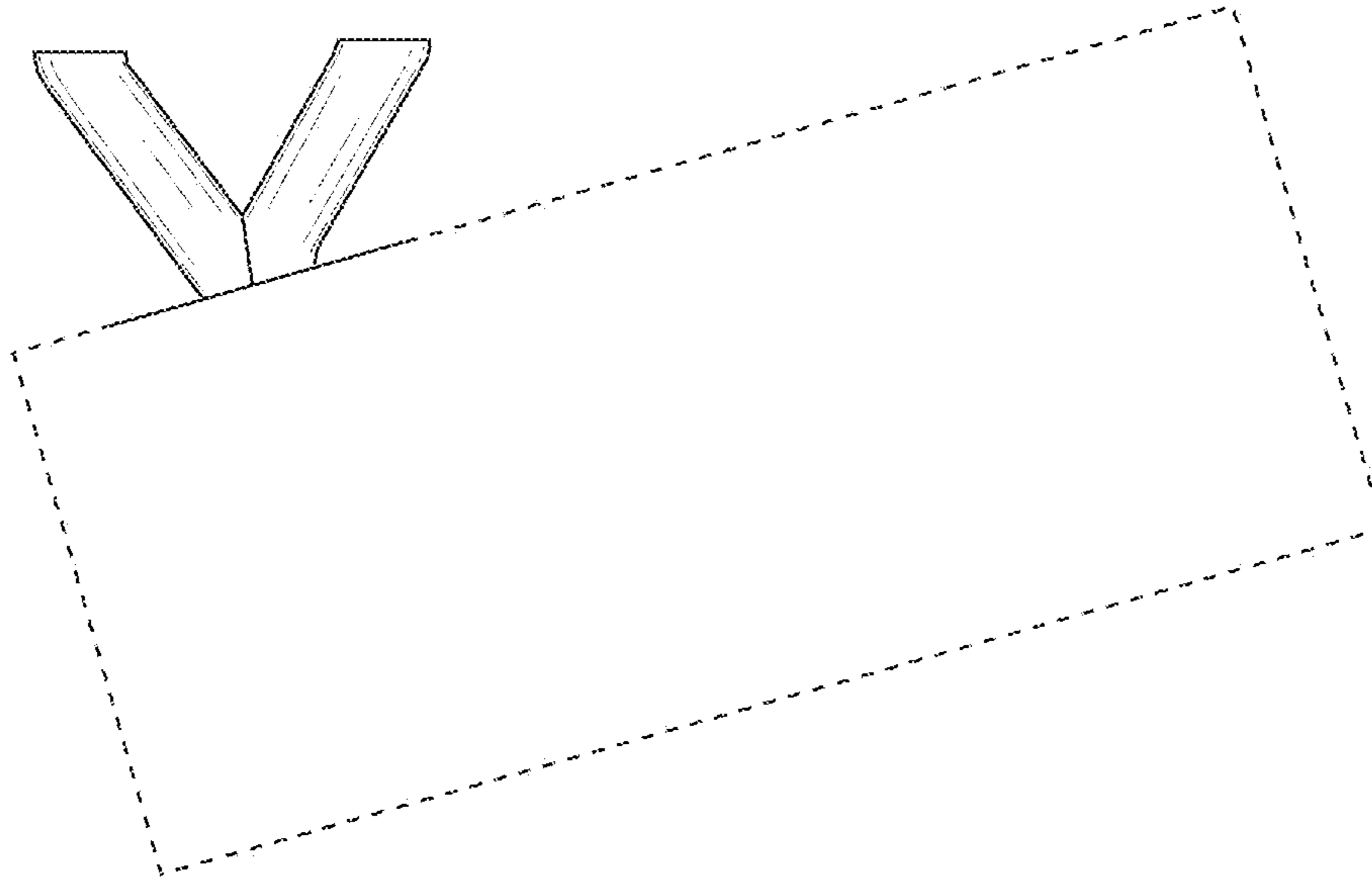


FIG. 3

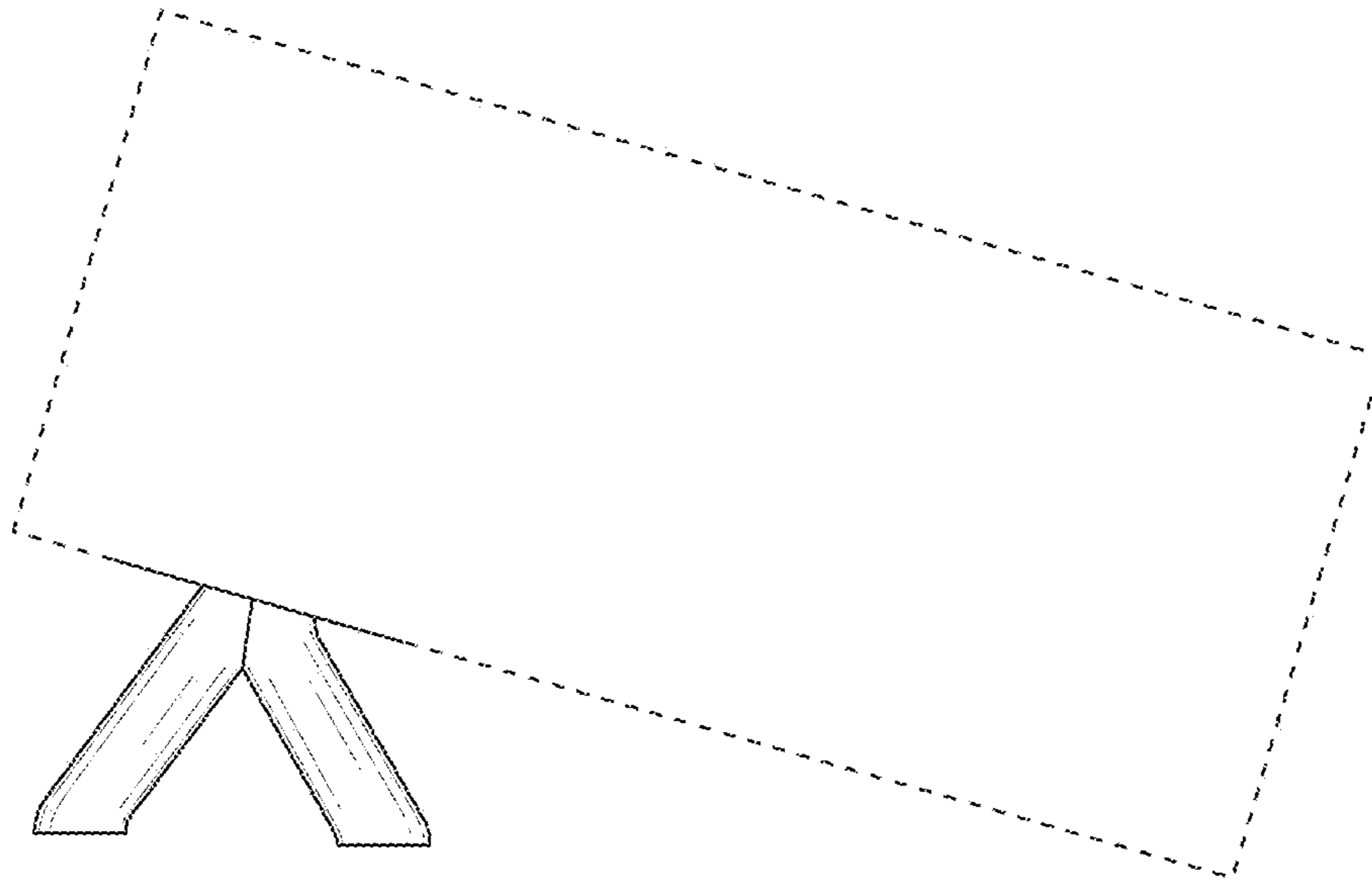


FIG. 2

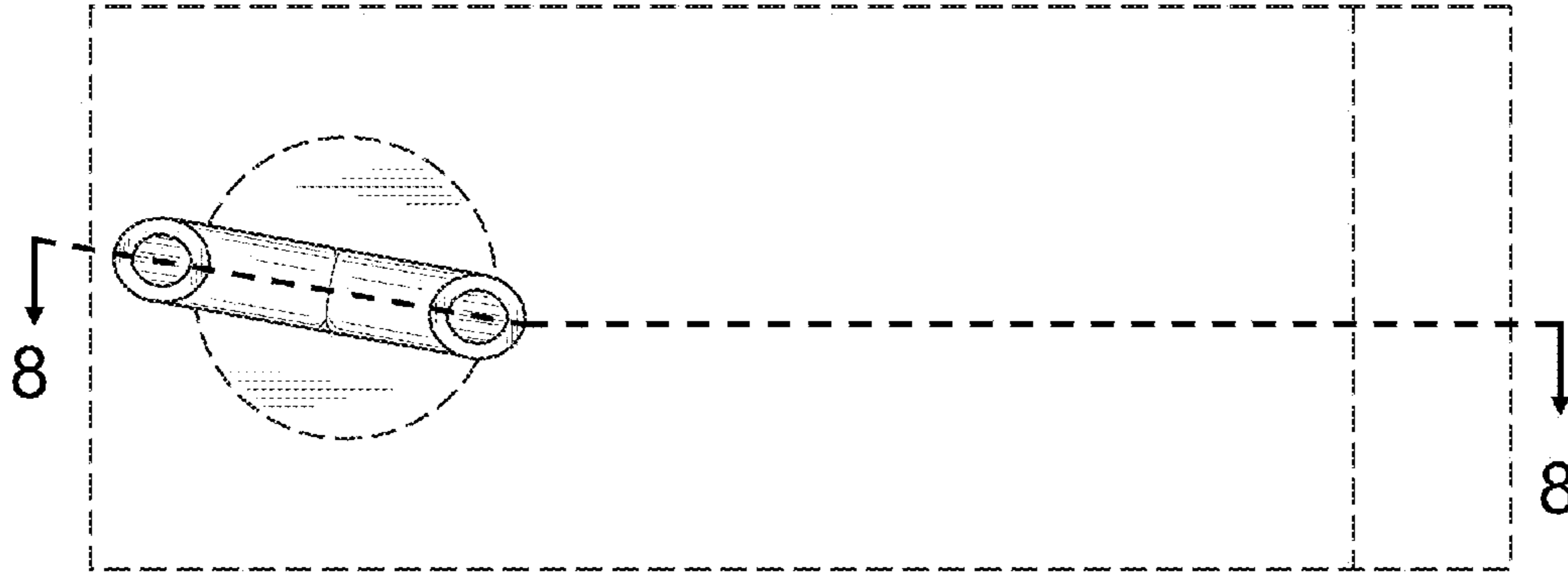


FIG. 5



FIG. 4

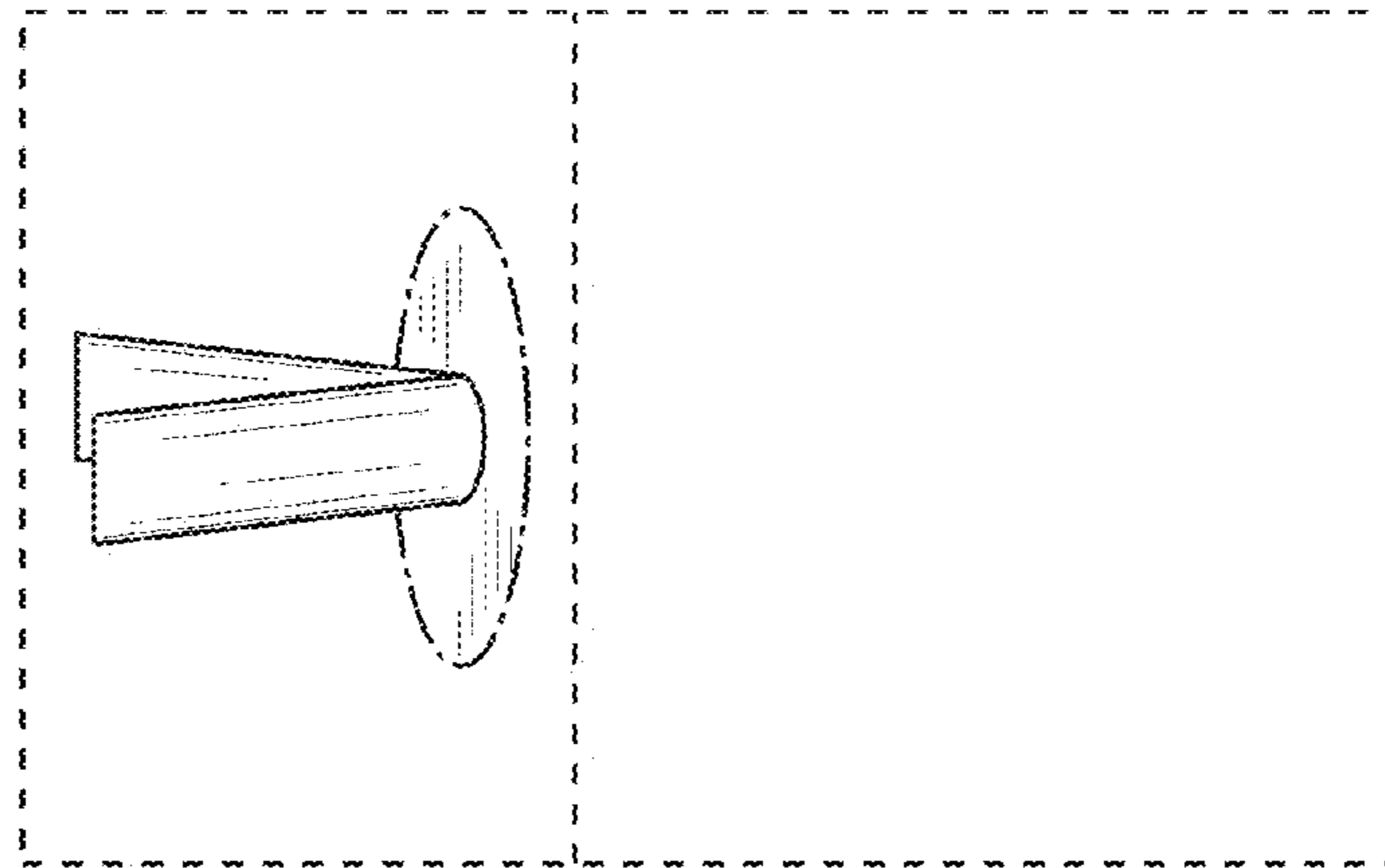


FIG. 6

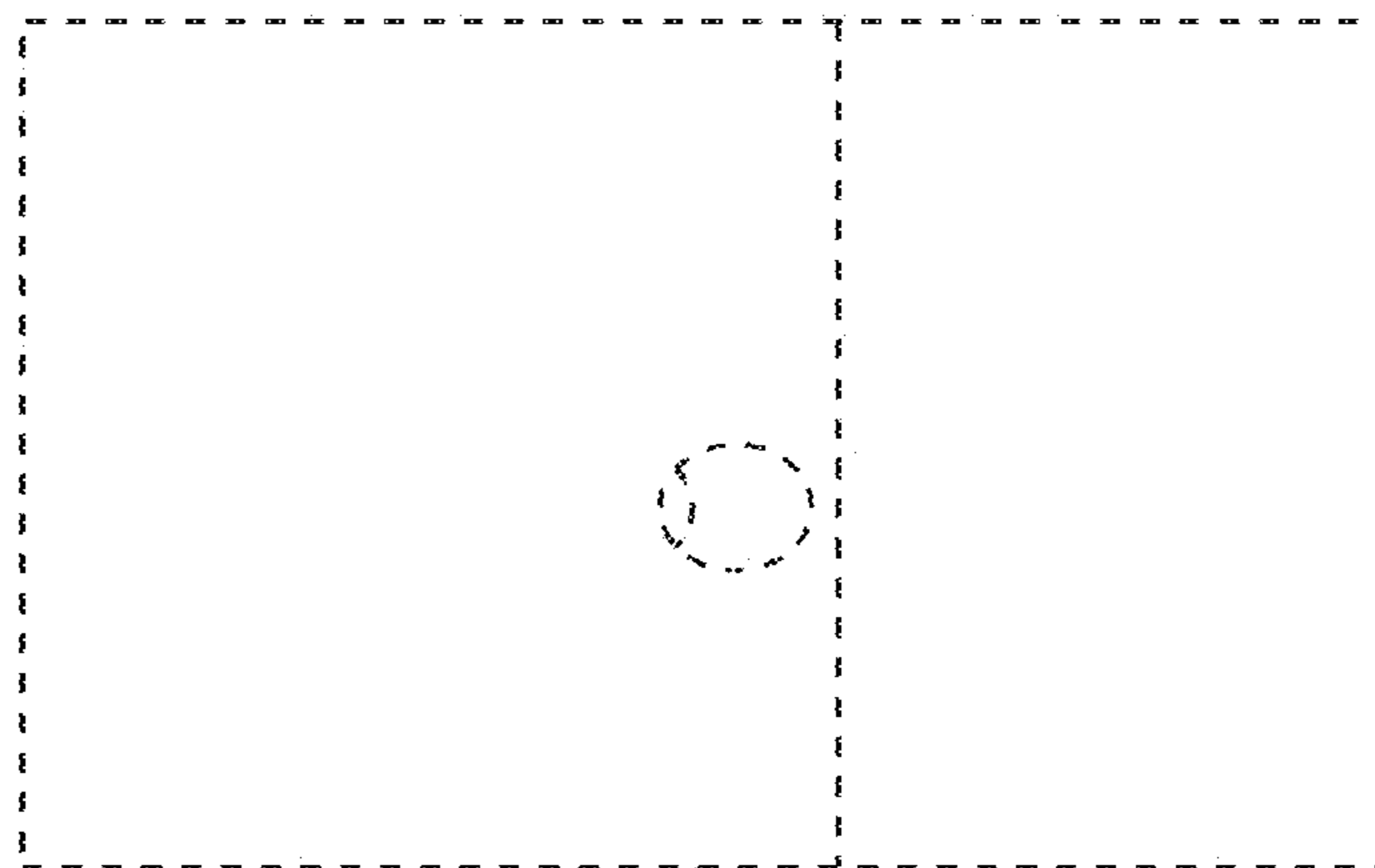


FIG. 7

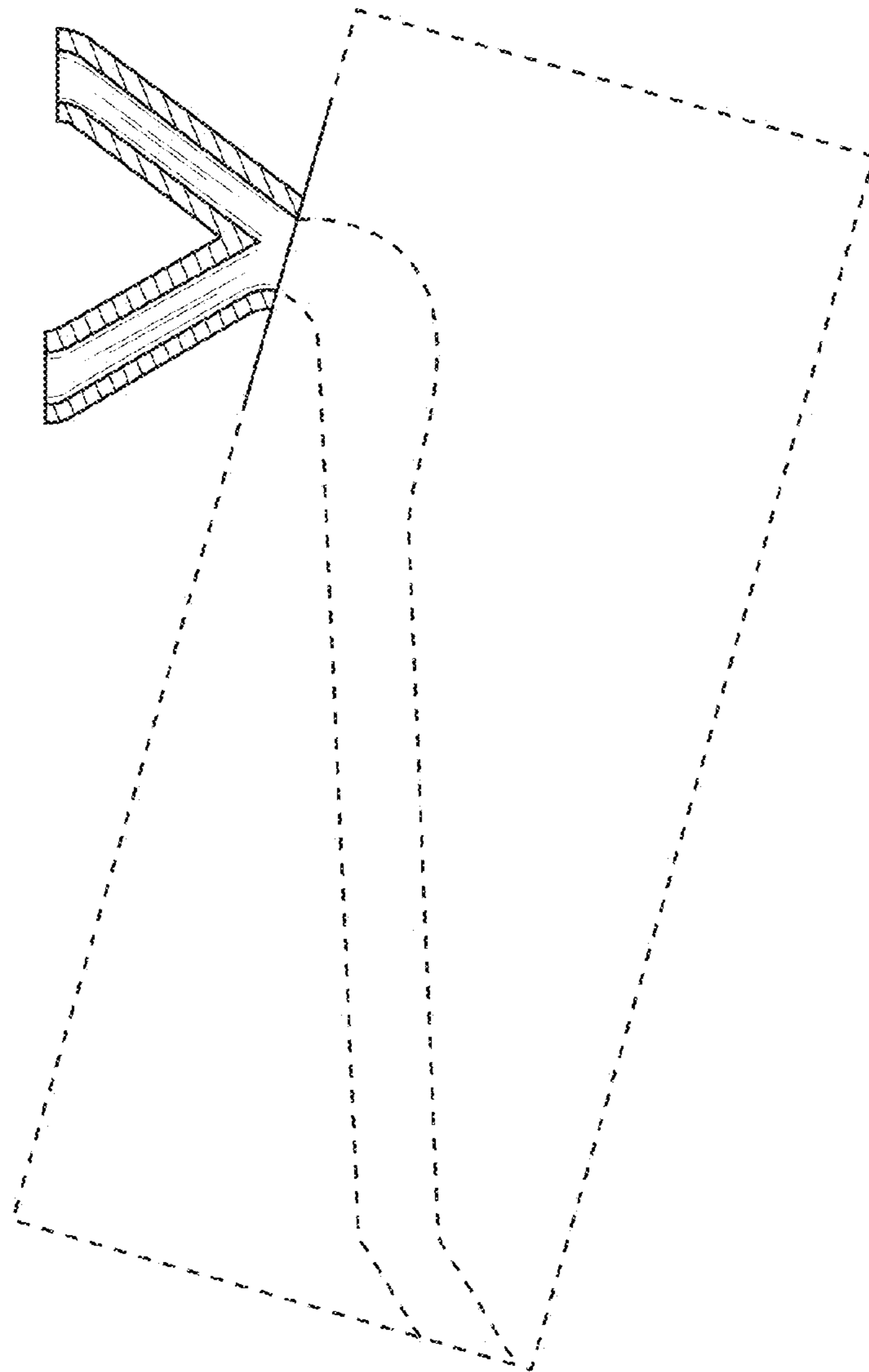


FIG. 8