

US00D716868S

(12) **United States Design Patent**
Jansen et al.

(10) **Patent No.:** **US D716,868 S**
(45) **Date of Patent:** **** Nov. 4, 2014**

(54) **BINDER SHEET WITH PILL POCKET**

(75) Inventors: **Kathy Yvette Jansen**, Lynden, WA (US); **Robin Marie Grangruth**, Menifee, CA (US); **Karen Renee Blankenforth**, Lynden, WA (US)

(73) Assignee: **Sisbro Products, LLC**, Lynden, WA (US)

(**) Term: **14 Years**

(21) Appl. No.: **29/429,027**

(22) Filed: **Aug. 6, 2012**

(51) **LOC (10) Cl.** **19-04**

(52) **U.S. Cl.**
USPC **D19/33; D3/203.3**

(58) **Field of Classification Search**
CPC A61J 1/00; A61J 1/03; A61J 7/0069; A61J 7/0076
USPC D3/201, 203.1, 203.2, 203.3, 304, 318, D3/319, 901; D19/26, 27, 32, 33, 100, D19/102, 103; D9/702, 711, 499; 206/6.1, 206/348, 527, 528, 535, 538
See application file for complete search history.

(56) **References Cited**

U.S. PATENT DOCUMENTS

D227,552 S * 7/1973 Bridges D3/203.3
D257,584 S * 12/1980 Finkel D9/423

6,021,902 A * 2/2000 Wu 206/534
D514,308 S * 2/2006 Wahl et al. D3/203.2
7,494,012 B1 * 2/2009 Priebe et al. 206/538
2006/0086641 A1 * 4/2006 Priebe et al. 206/538
2007/0068960 A1 * 3/2007 Valentine et al. 221/25
2010/0314283 A1 * 12/2010 Noble et al. 206/534
2013/0233735 A1 * 9/2013 Hurley et al. 206/209

* cited by examiner

Primary Examiner — Ian Simmons

Assistant Examiner — Ieisha Price

(74) *Attorney, Agent, or Firm* — Todd J. Langford; Eric A. Hanscom

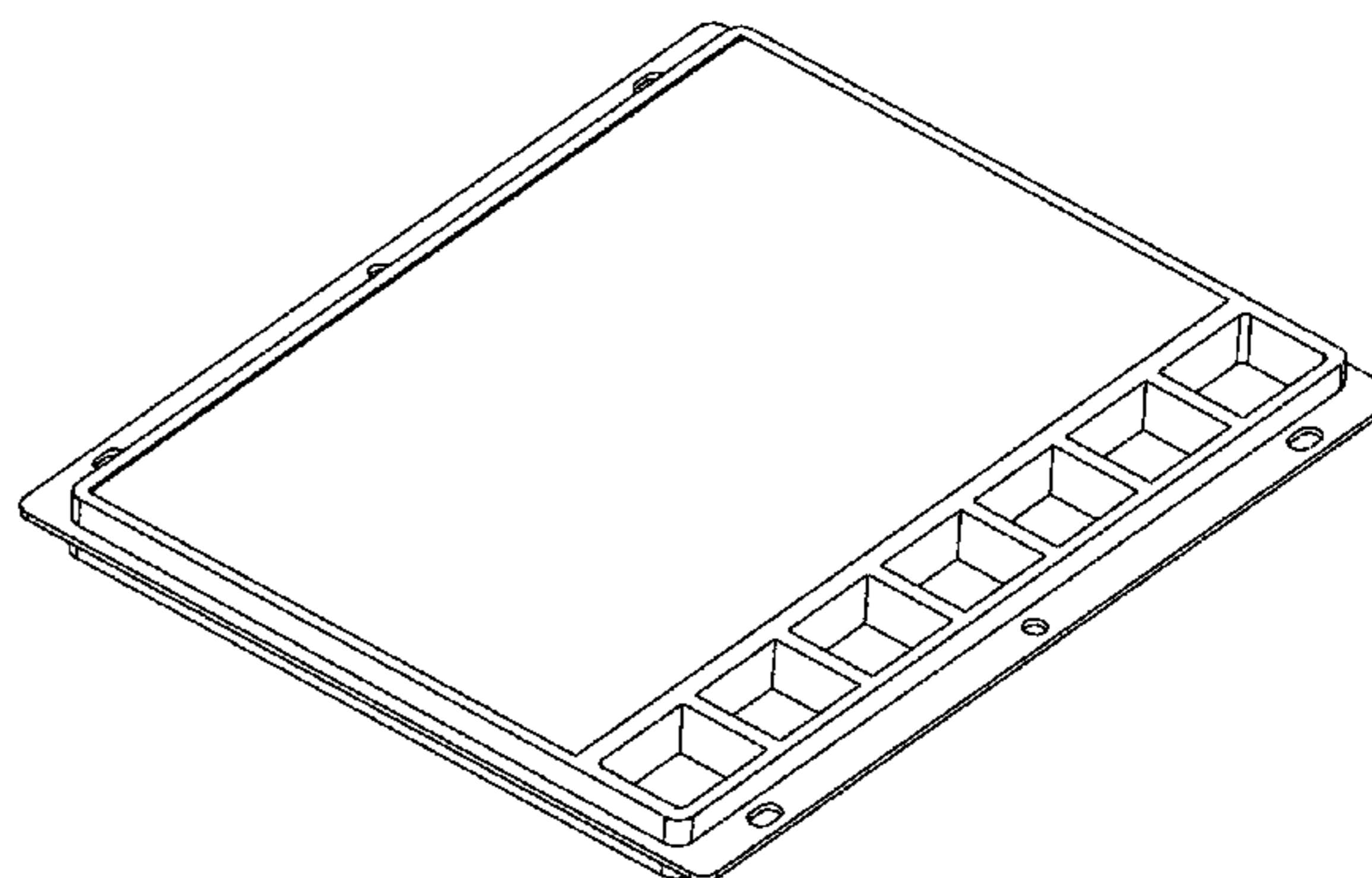
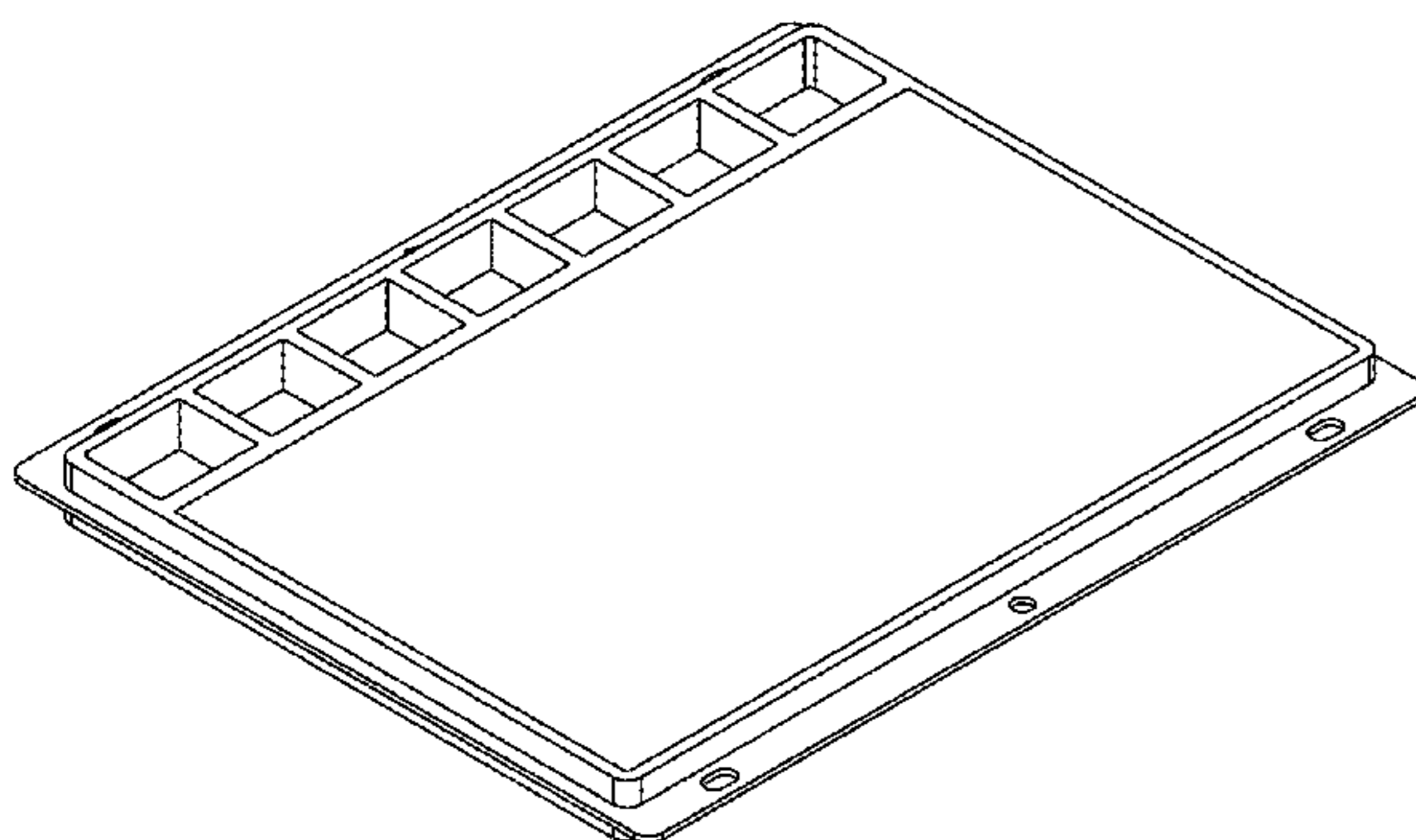
(57) **CLAIM**

The ornamental design for a binder sheet with pill pocket, as shown and described.

DESCRIPTION

FIG. 1 is a front perspective view of the binder sheet with pill pockets;
FIG. 2 is a back perspective view;
FIG. 3 is a top view;
FIG. 4 is a right side view;
FIG. 5 is a bottom view;
FIG. 6 is a top view;
FIG. 7 is a back view; and,
FIG. 8 is a left side view thereof.

1 Claim, 8 Drawing Sheets



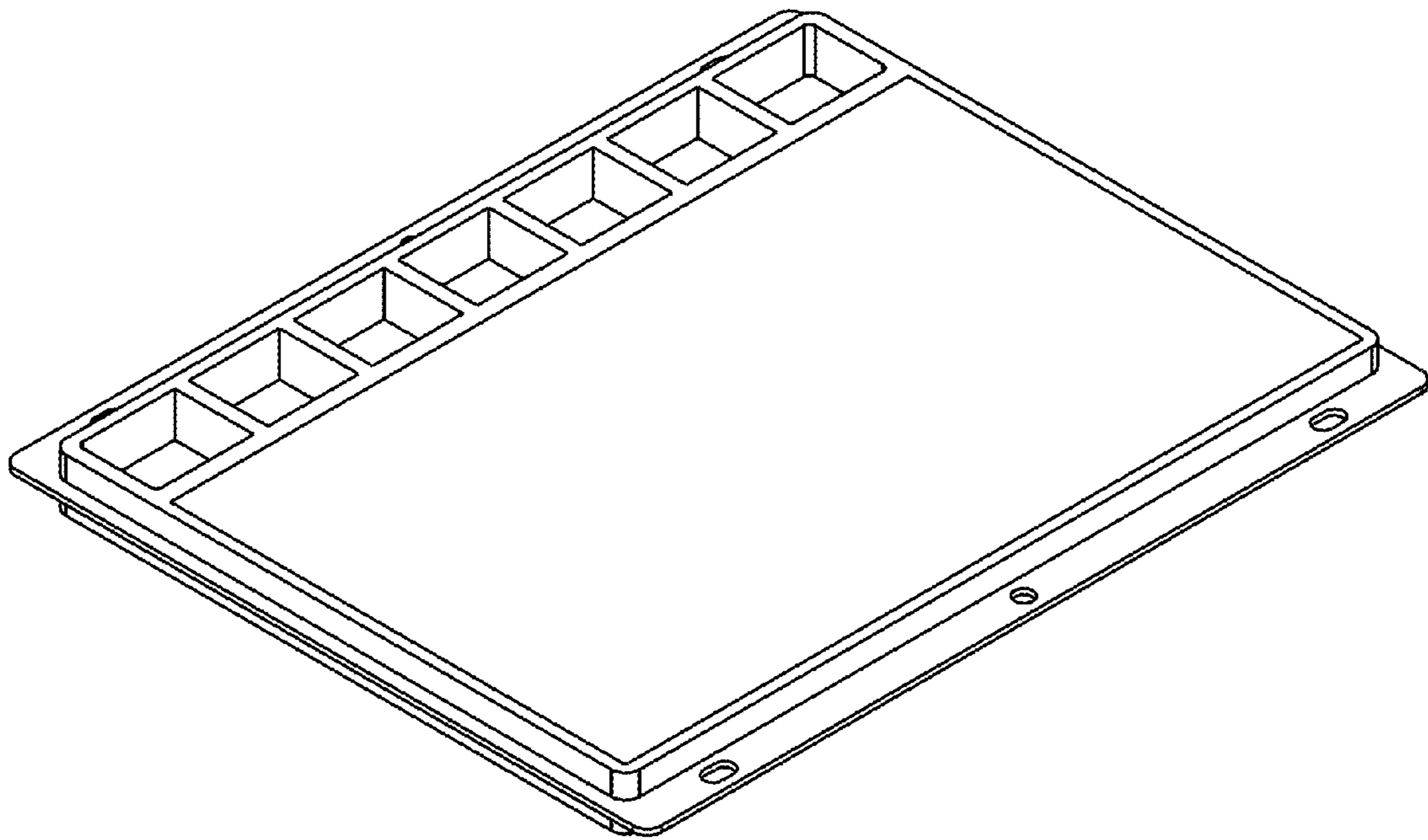


fig. 1

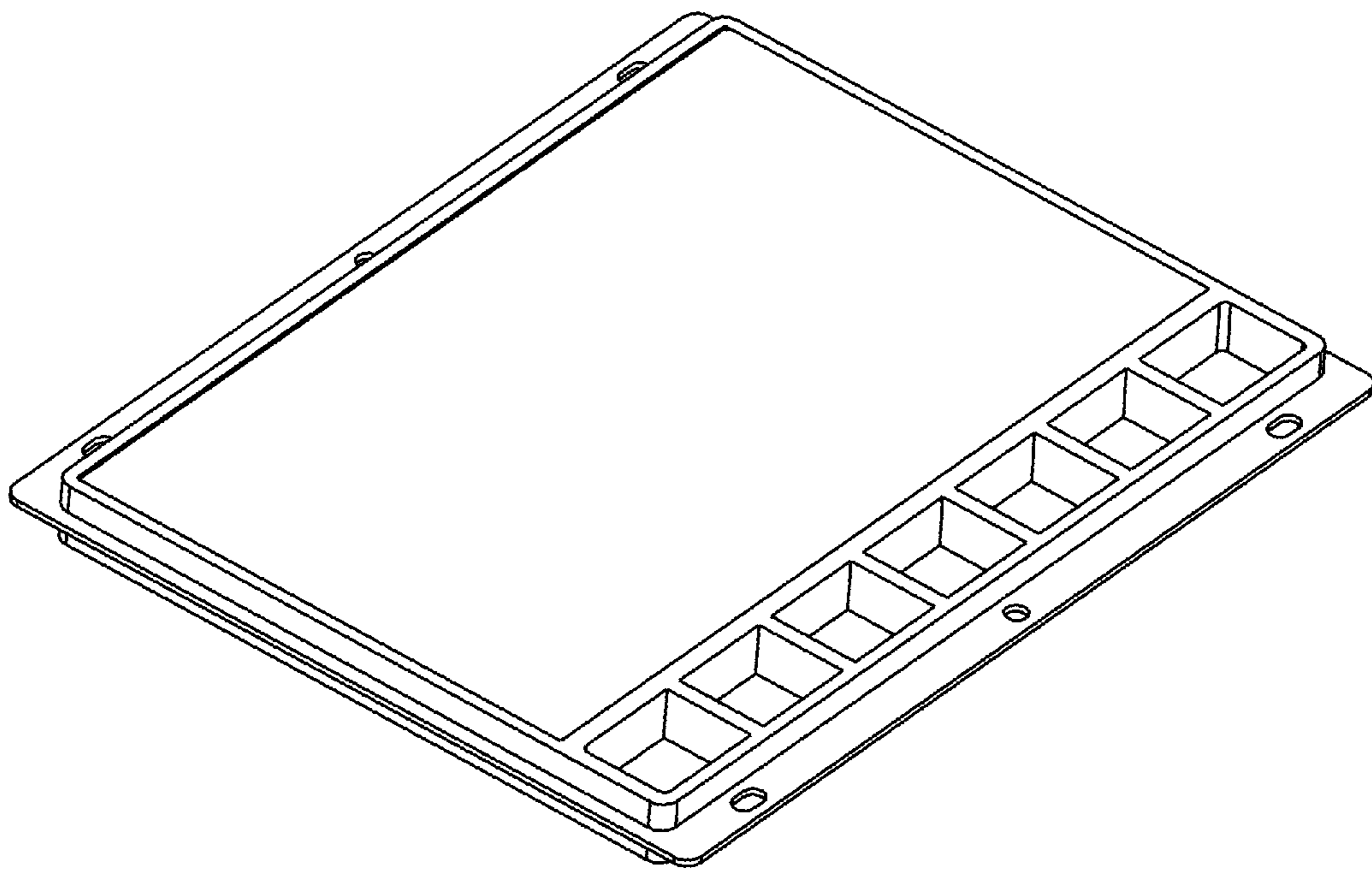


fig. 2

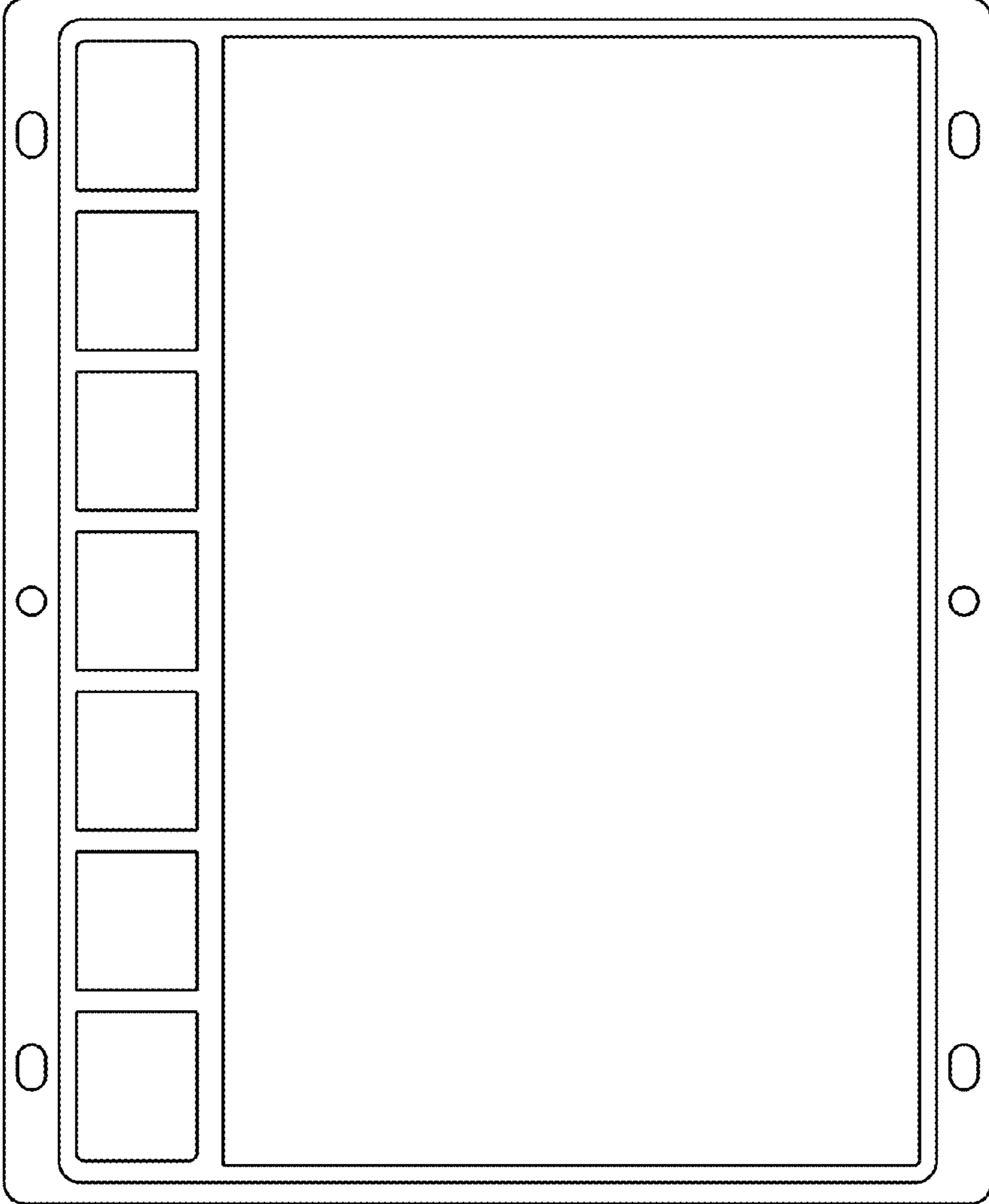


fig. 3

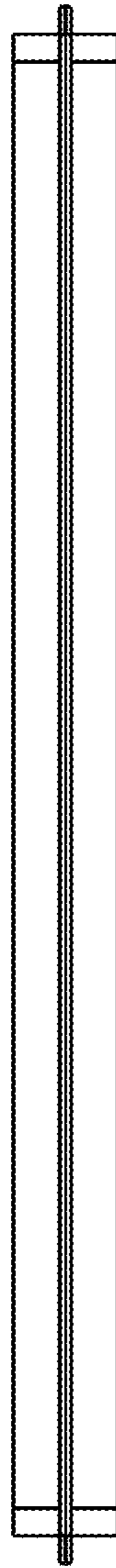


fig. 4



fig. 5



fig. 6

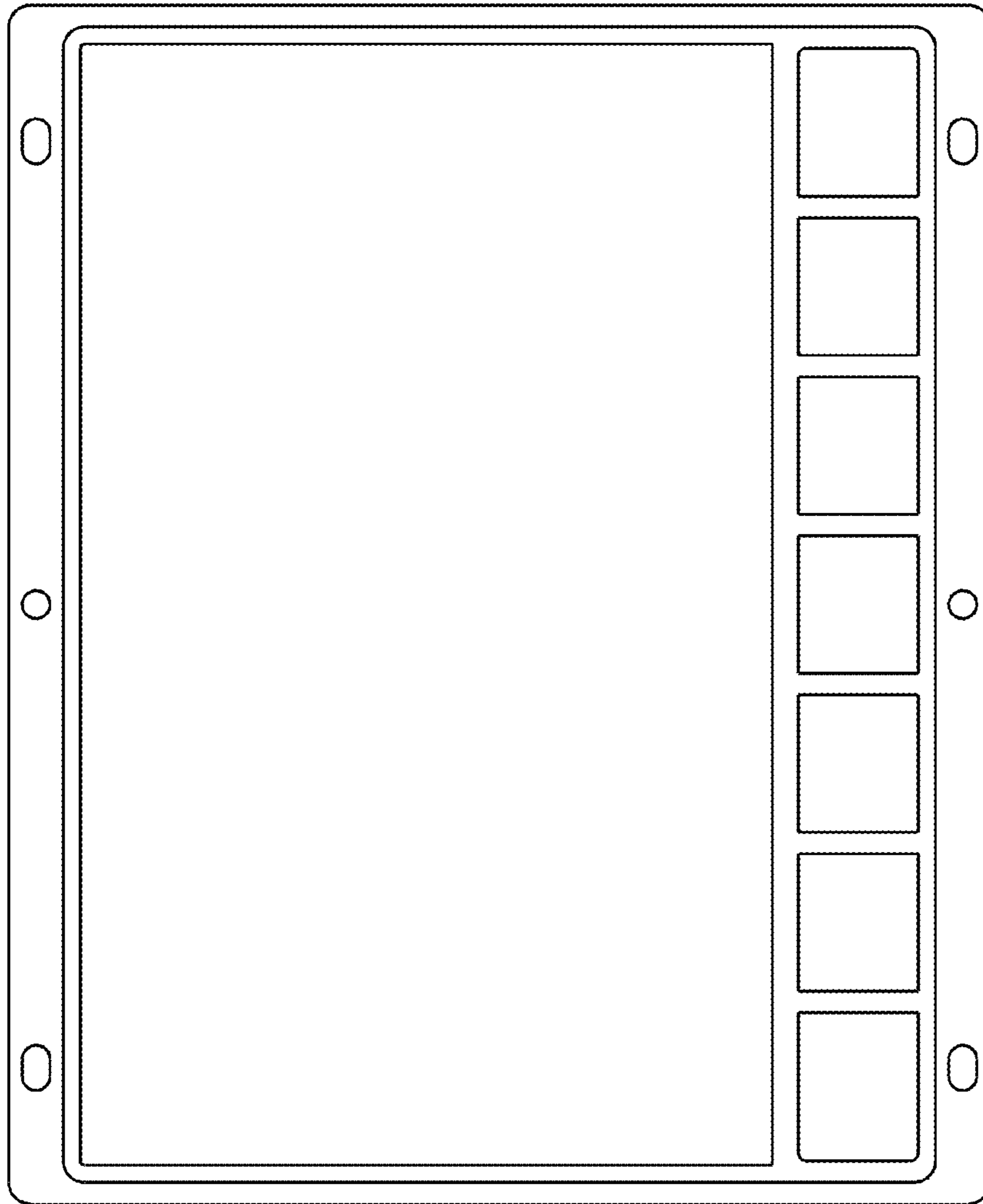


fig. 7

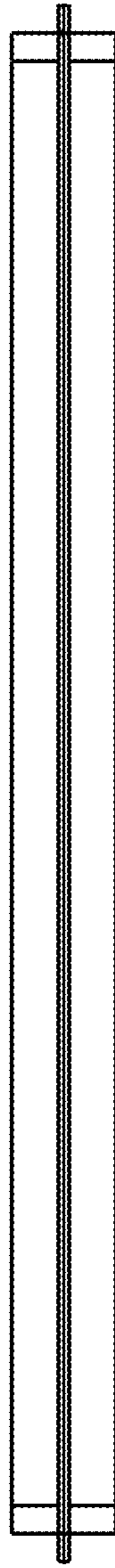


fig. 8