



US00D716867S

(12) **United States Design Patent**  
**Crossley**

(10) **Patent No.:** **US D716,867 S**

(45) **Date of Patent:** **\*\* Nov. 4, 2014**

(54) **LABEL APPLICATOR**

(75) Inventor: **David W. Crossley**, Charlestown, RI  
(US)

(73) Assignee: **Applied Results LLC**, Westport, CT  
(US)

(\*\*) Term: **14 Years**

(21) Appl. No.: **29/385,555**

(22) Filed: **Feb. 16, 2011**

(51) **LOC (10) Cl.** ..... **18-03**

(52) **U.S. Cl.**  
USPC ..... **D18/19**

(58) **Field of Classification Search**  
USPC ..... D18/14-21, 6-7, 52; D19/68, 69;  
358/1.1, 1.6, 1.8; 101/111, 288;  
156/DIG. 48  
See application file for complete search history.

(56) **References Cited**

**U.S. PATENT DOCUMENTS**

D247,389 S *	2/1978	Sato	.....	D18/19
D250,292 S *	11/1978	Sato	.....	D18/19
D267,017 S *	11/1982	Sato	.....	D18/19
D273,122 S *	3/1984	Sato et al.	.....	D18/19
D305,131 S *	12/1989	Sato et al.	.....	D18/19

5,015,324 A *	5/1991	Goodwin et al.	.....	156/384
D365,597 S *	12/1995	Patzak et al.	.....	D18/19
D520,061 S *	5/2006	Daunter et al.	.....	D19/69
D564,592 S *	3/2008	Kwok	.....	D19/69
D565,663 S *	4/2008	Yu Chen	.....	D19/69
D570,917 S *	6/2008	Bailey et al.	.....	D19/69
D574,891 S *	8/2008	Steele et al.	.....	D19/69

\* cited by examiner

*Primary Examiner* — Ian Simmons

*Assistant Examiner* — Charles Hanson

(74) *Attorney, Agent, or Firm* — Cooper & Dunham LLP

(57) **CLAIM**

The ornamental design for label applicator, as shown and described.

**DESCRIPTION**

FIG. 1 is a front perspective view of the claimed design.  
FIG. 2 is a rear perspective view of the claimed design.  
FIG. 3 is a front elevational view of the claimed design.  
FIG. 4 is a rear elevational view of the claimed design.  
FIG. 5 is a right side view of the claimed design.  
FIG. 6 is a left side view of the claimed design.  
FIG. 7 is a top view of the claimed design; and,  
FIG. 8 is a bottom view of the claimed design.  
The subject matter shown in broken line in the FIGS. 2 and 4 forms no part of the claimed design.

**1 Claim, 8 Drawing Sheets**

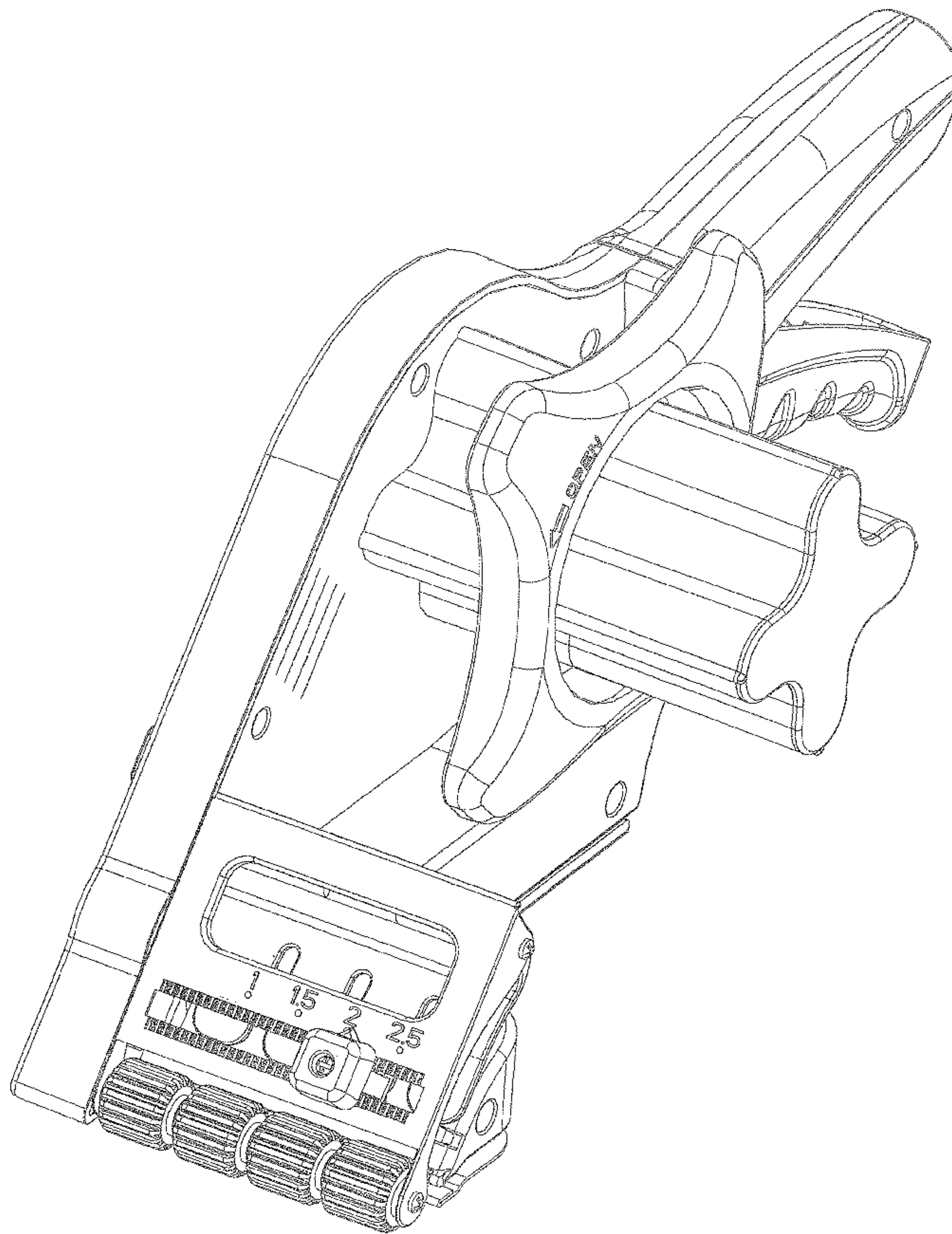


FIG. 1

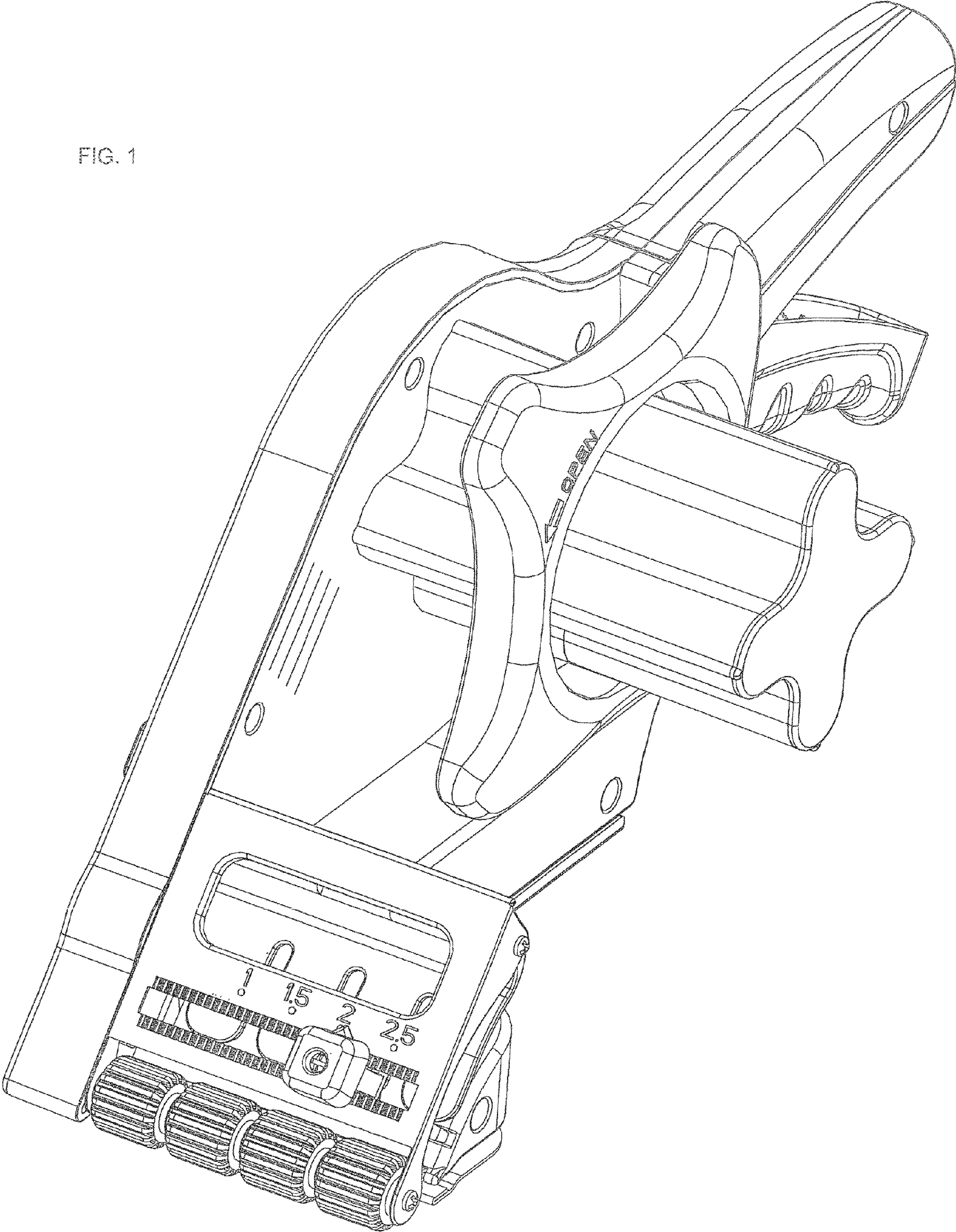




FIG. 2

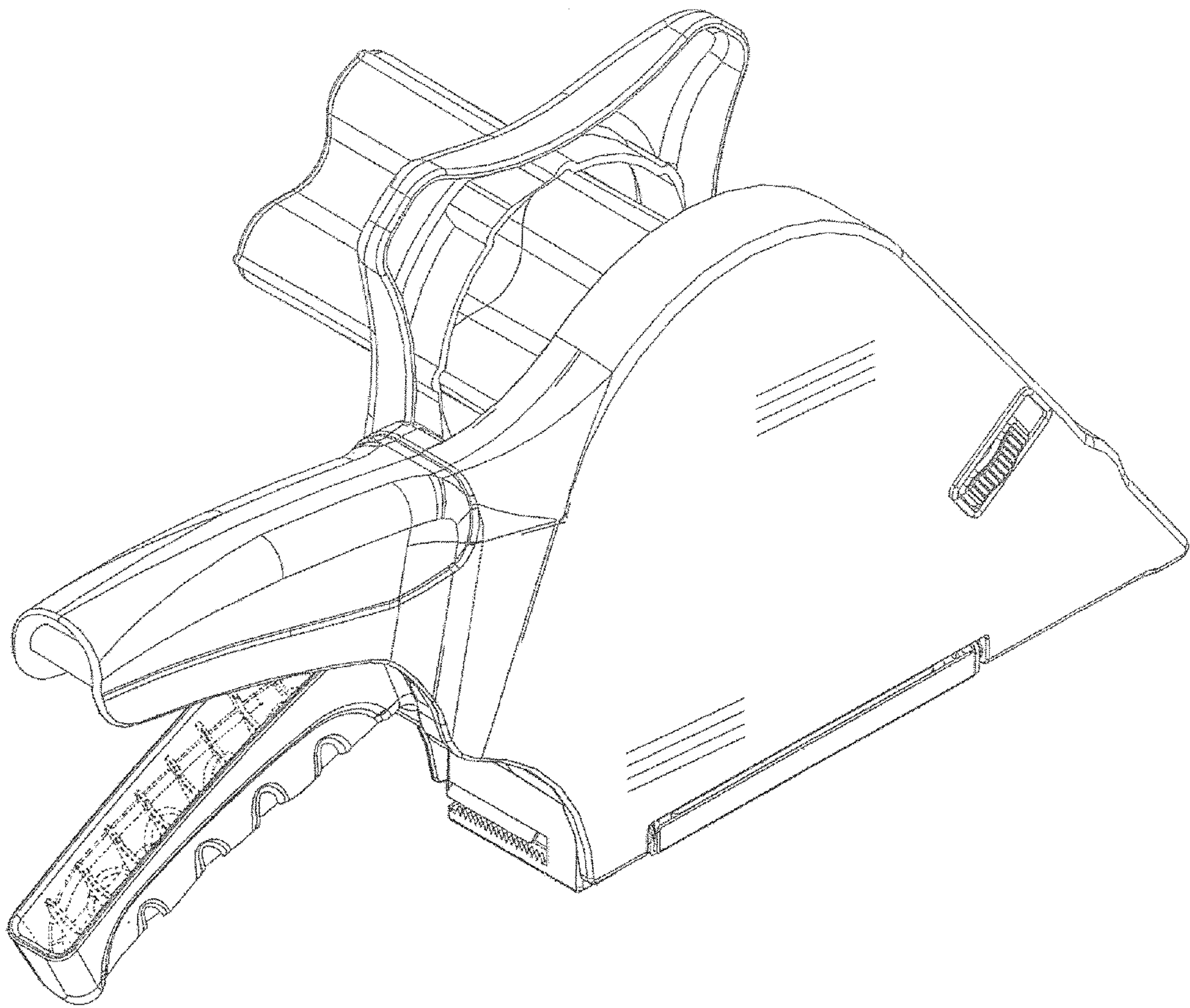


FIG. 3

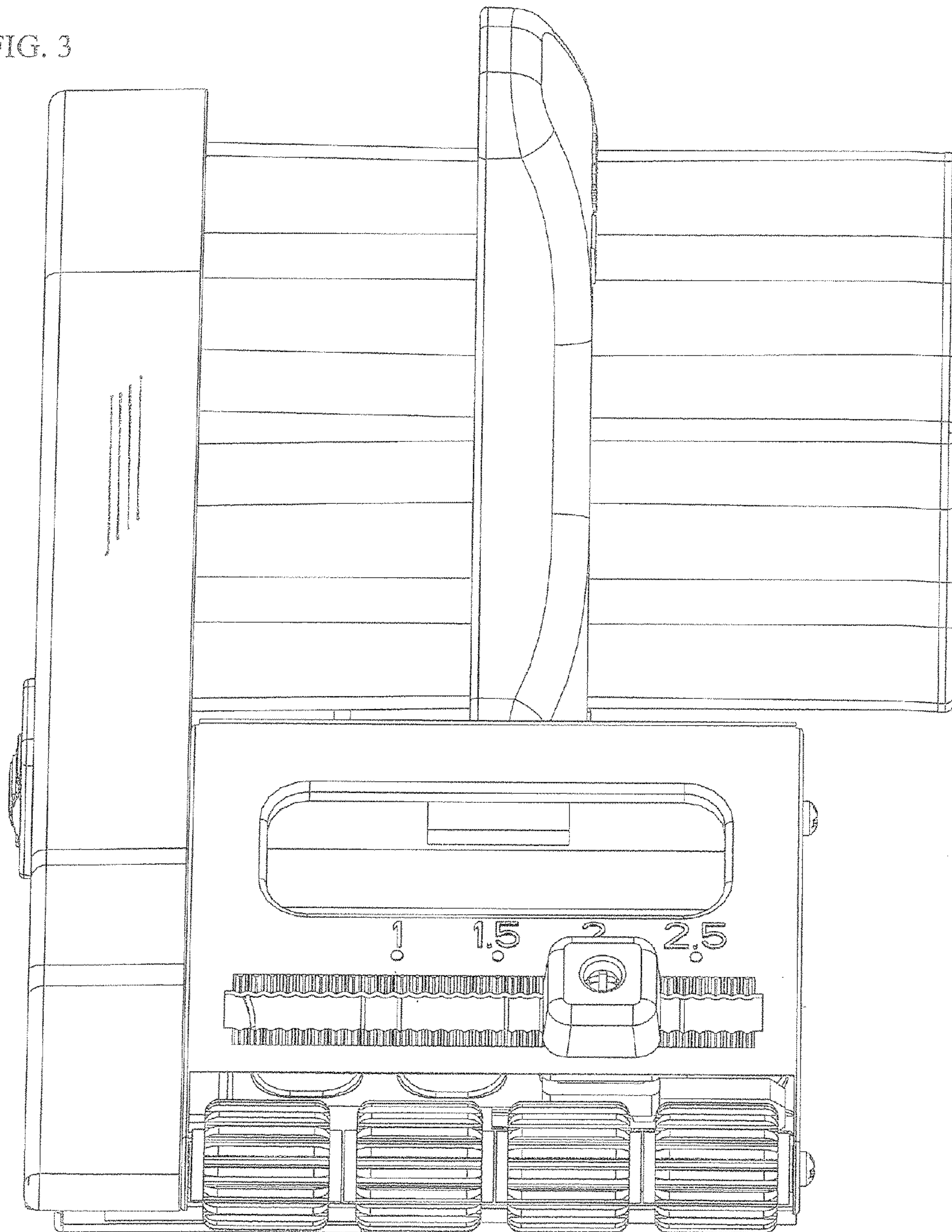




FIG. 4

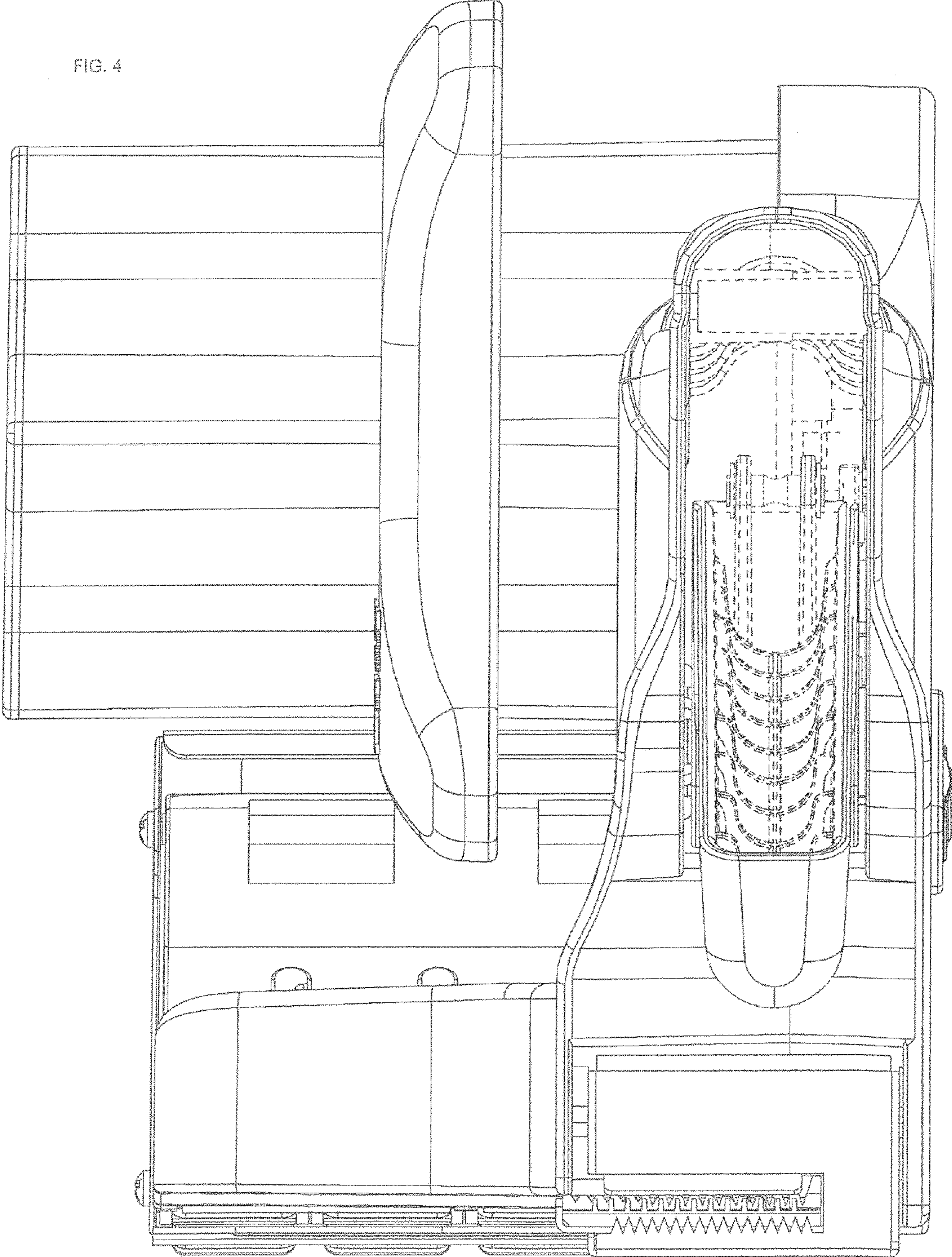


FIG. 5

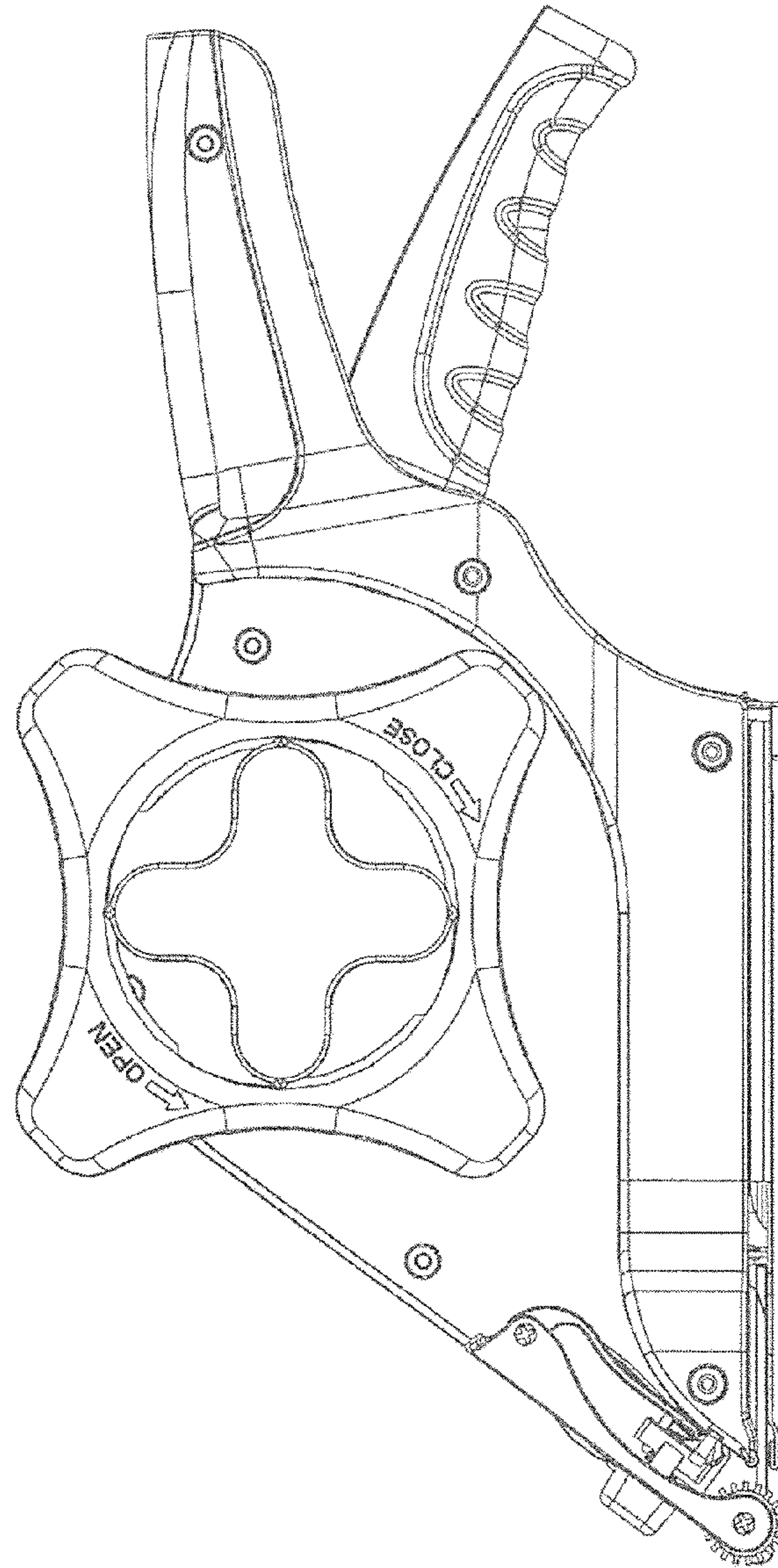




FIG. 6

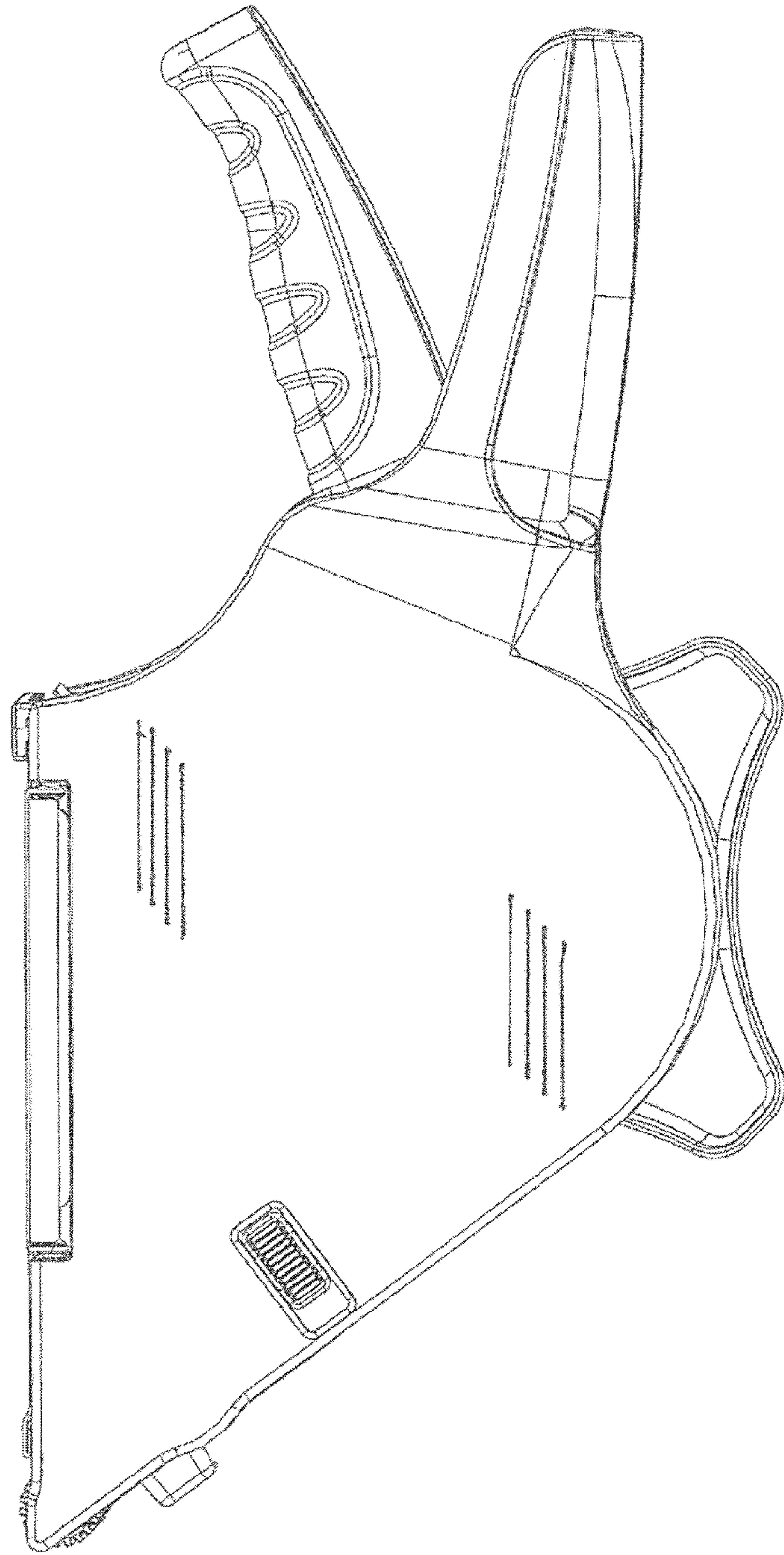


FIG. 7

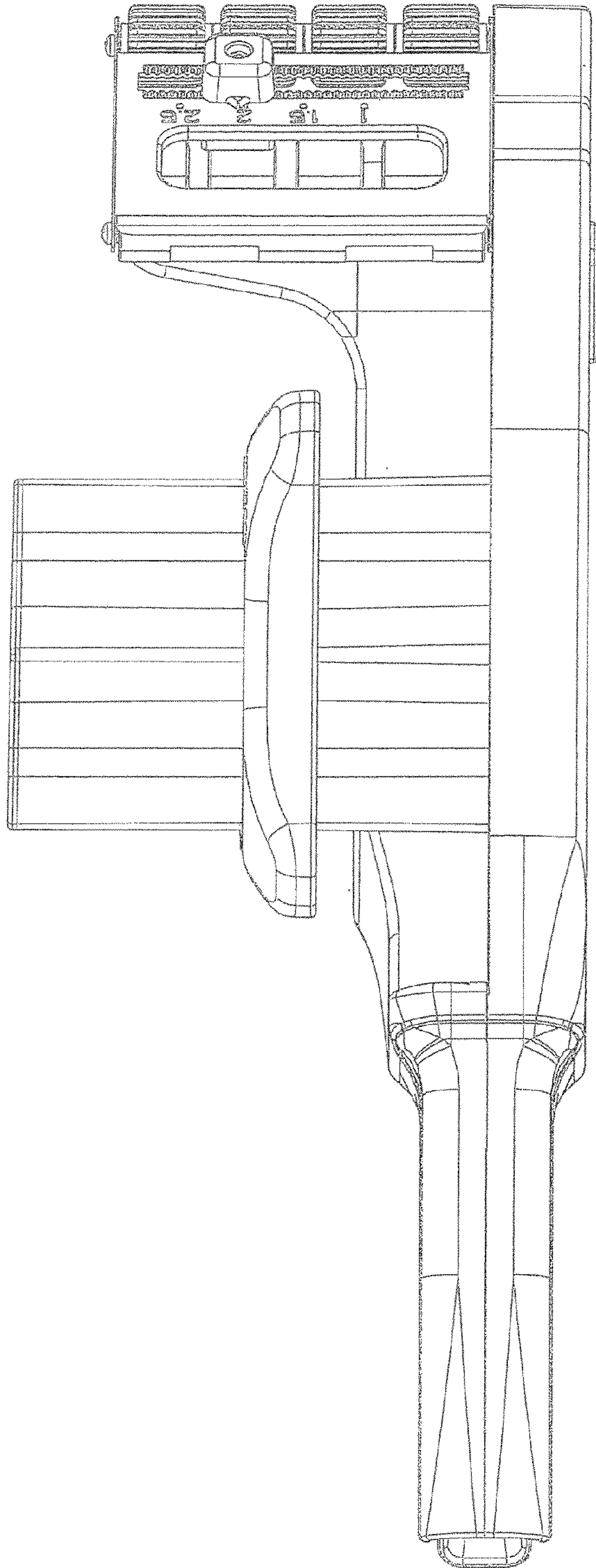




FIG. 8

