



US00D716864S

(12) **United States Design Patent**
Hansen

(10) **Patent No.:** **US D716,864 S**

(45) **Date of Patent:** **** Nov. 4, 2014**

(54) **EYEGLASSES**

(71) Applicant: **John Hansen**, Sioux Falls, SD (US)

(72) Inventor: **John Hansen**, Sioux Falls, SD (US)

(**) Term: **14 Years**

(21) Appl. No.: **29/487,875**

(22) Filed: **Apr. 14, 2014**

(51) **LOC (10) Cl.** **16-06**

(52) **U.S. Cl.**
USPC **D16/317; D16/306**

(58) **Field of Classification Search**
CPC G02C 2200/08; G02C 1/06
USPC D16/101, 300-342, 900; D29/109-110;
351/41, 44, 51-52, 62, 158, 92,
351/103-123, 140-153, 63, 59, 45-46;
2/426-432, 447-449, 441, 434-437,
2/13, 15; D21/483, 659-661; D14/372

See application file for complete search history.

(56) **References Cited**

U.S. PATENT DOCUMENTS

D327,716 S * 7/1992 Conway D16/317
D351,175 S * 10/1994 Celentano D16/317
D377,040 S * 12/1996 Khantzis et al. D16/317

* cited by examiner

Primary Examiner — Raphael Barkai
(74) *Attorney, Agent, or Firm* — Jeffrey A. Proehl; Woods,
Fuller, Schultz & Smith, P.C.

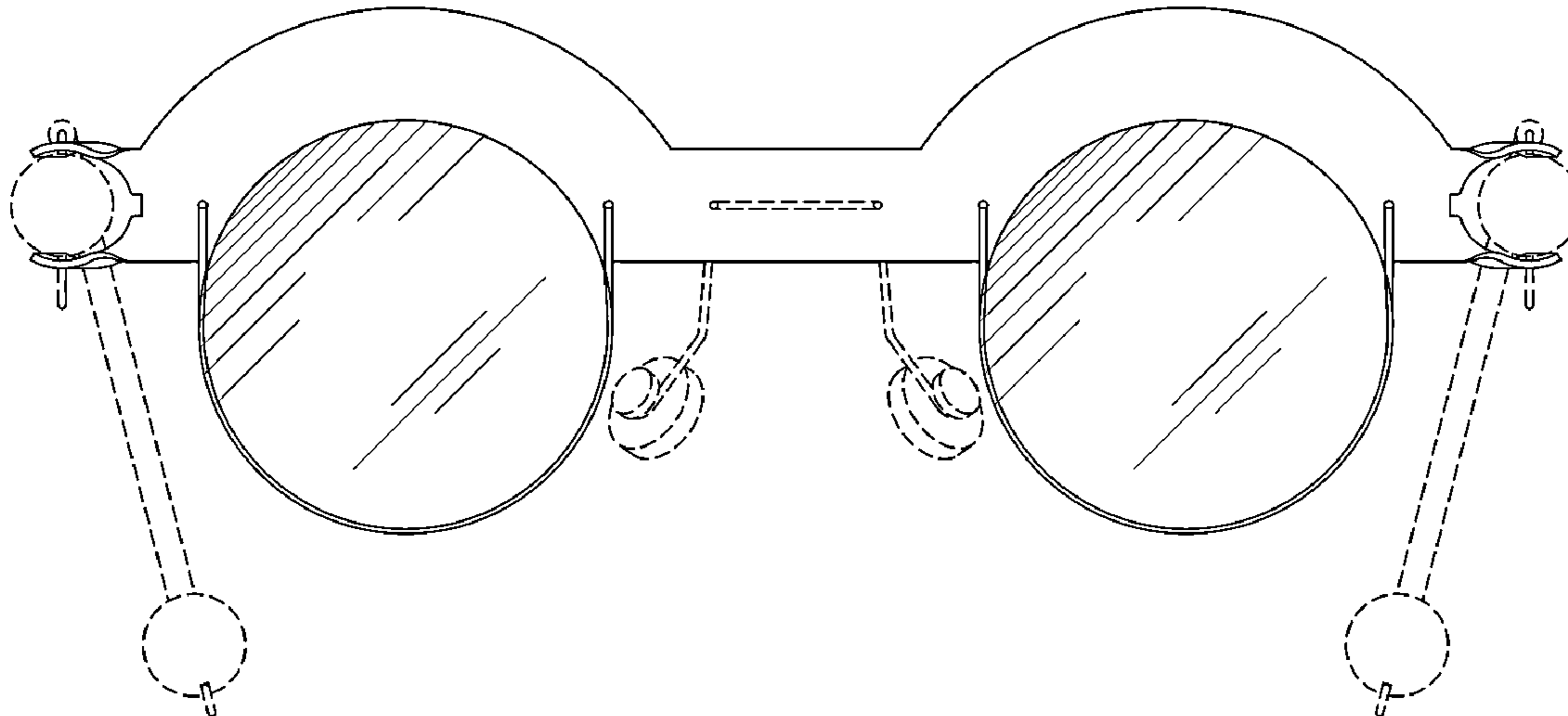
(57) **CLAIM**

The ornamental design for eyeglasses, as shown and described.

DESCRIPTION

FIG. 1 is a top view of eyeglasses showing my new design;
FIG. 2 is a front view of the eyeglasses;
FIG. 3 is a rear view of the eyeglasses;
FIG. 4 is a bottom view of the eyeglasses;
FIG. 5 is a left side view of the eyeglasses; and,
FIG. 6 is a right side view of the eyeglasses.
The elements shown in broken lines are for illustrative purposes only and form no part of the claimed design.

1 Claim, 3 Drawing Sheets



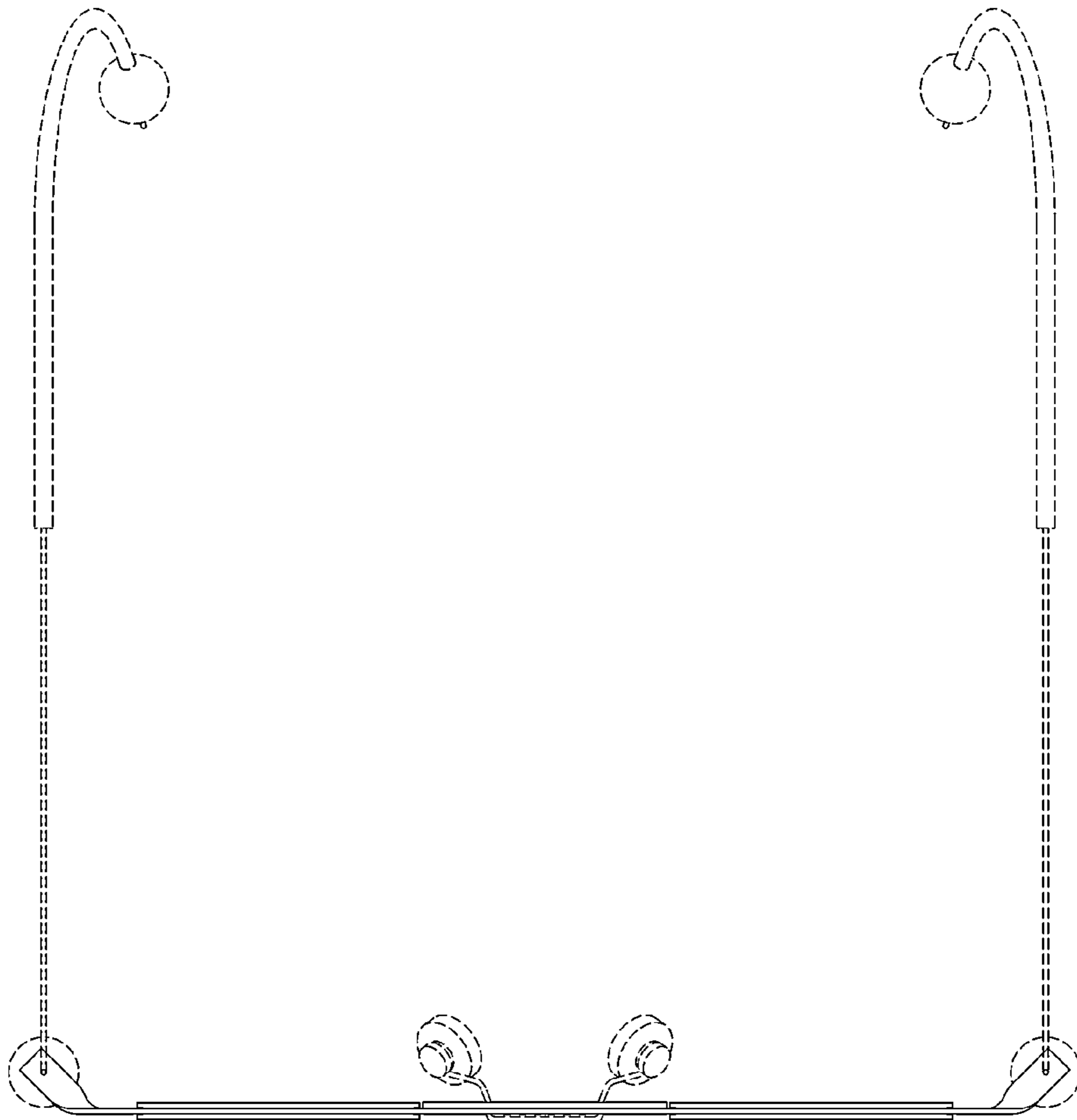


Fig. 1

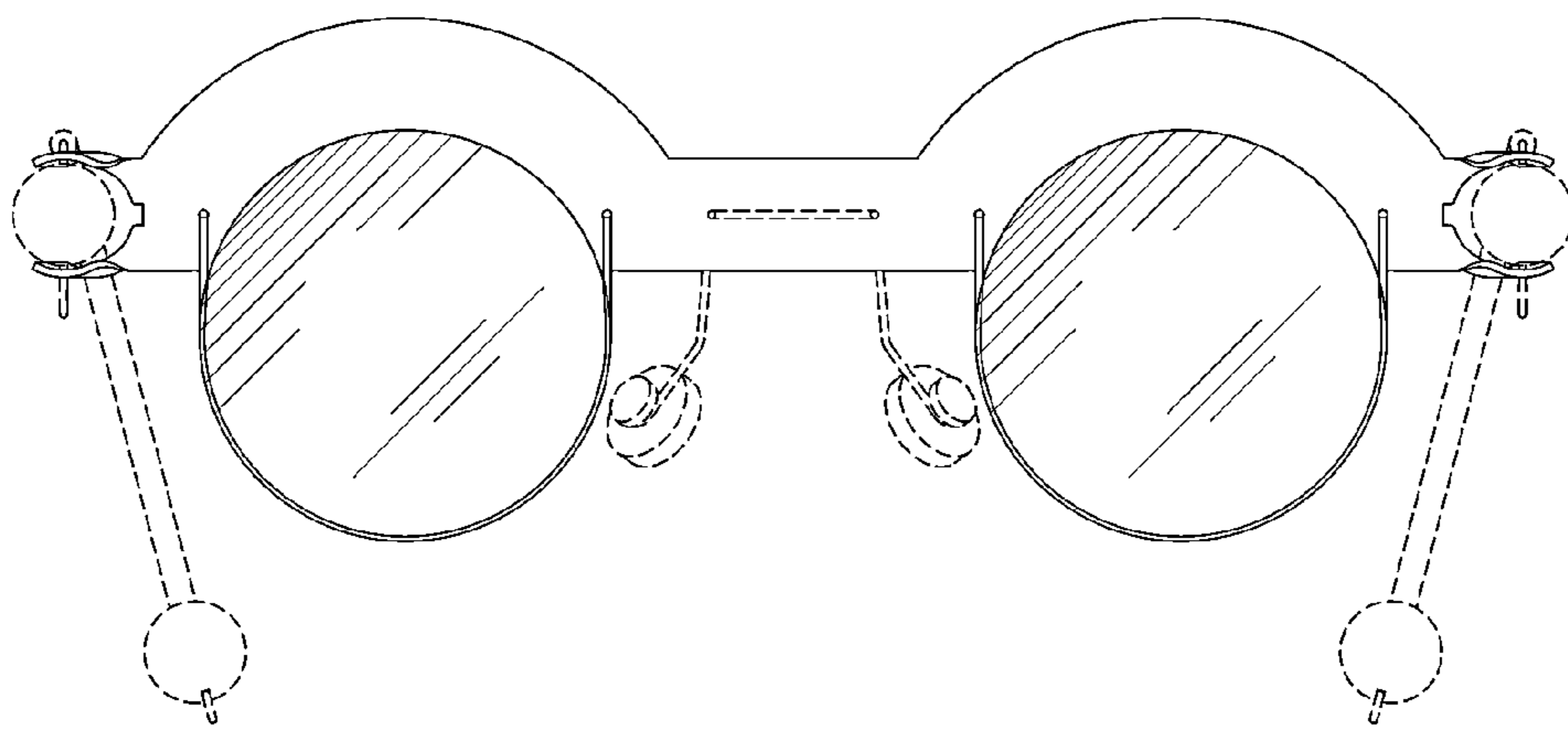


Fig. 2

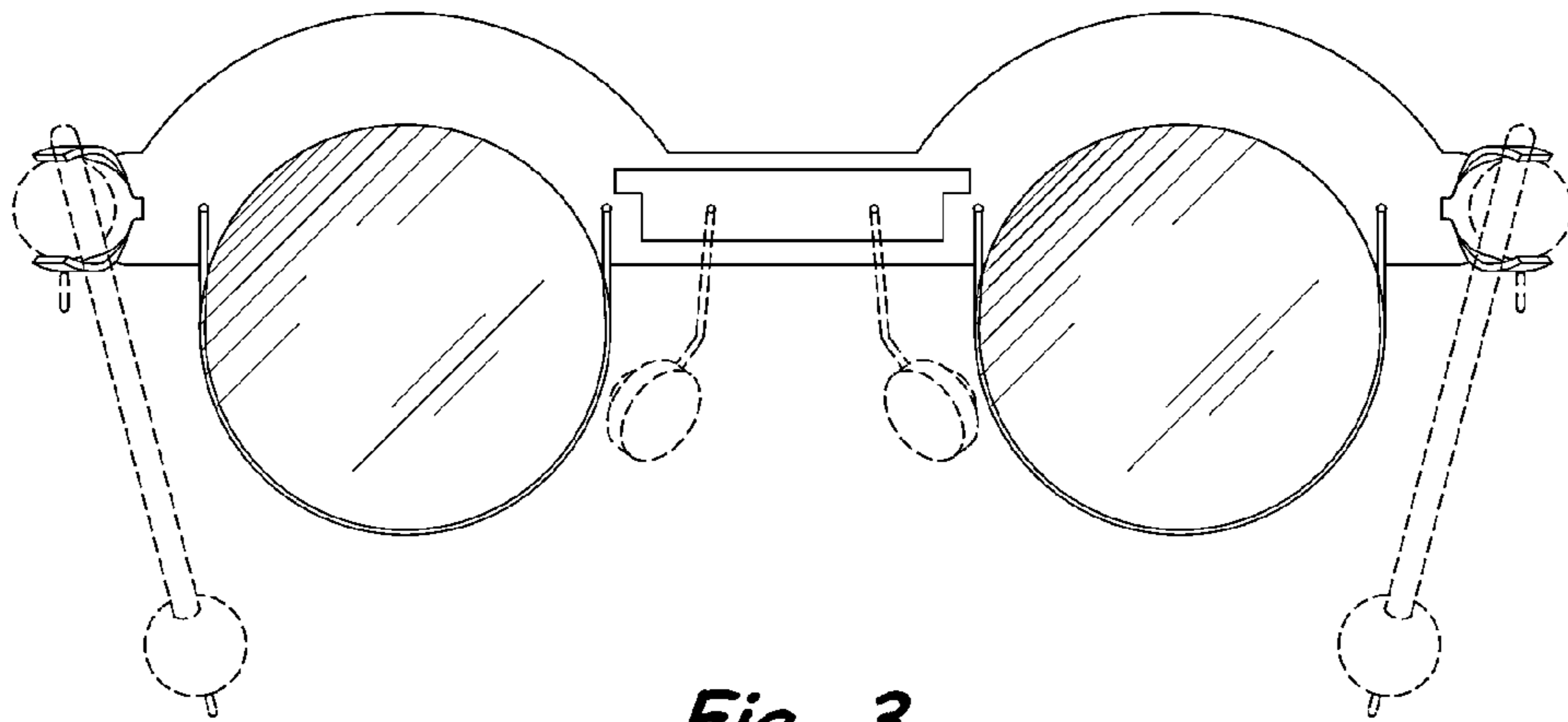


Fig. 3

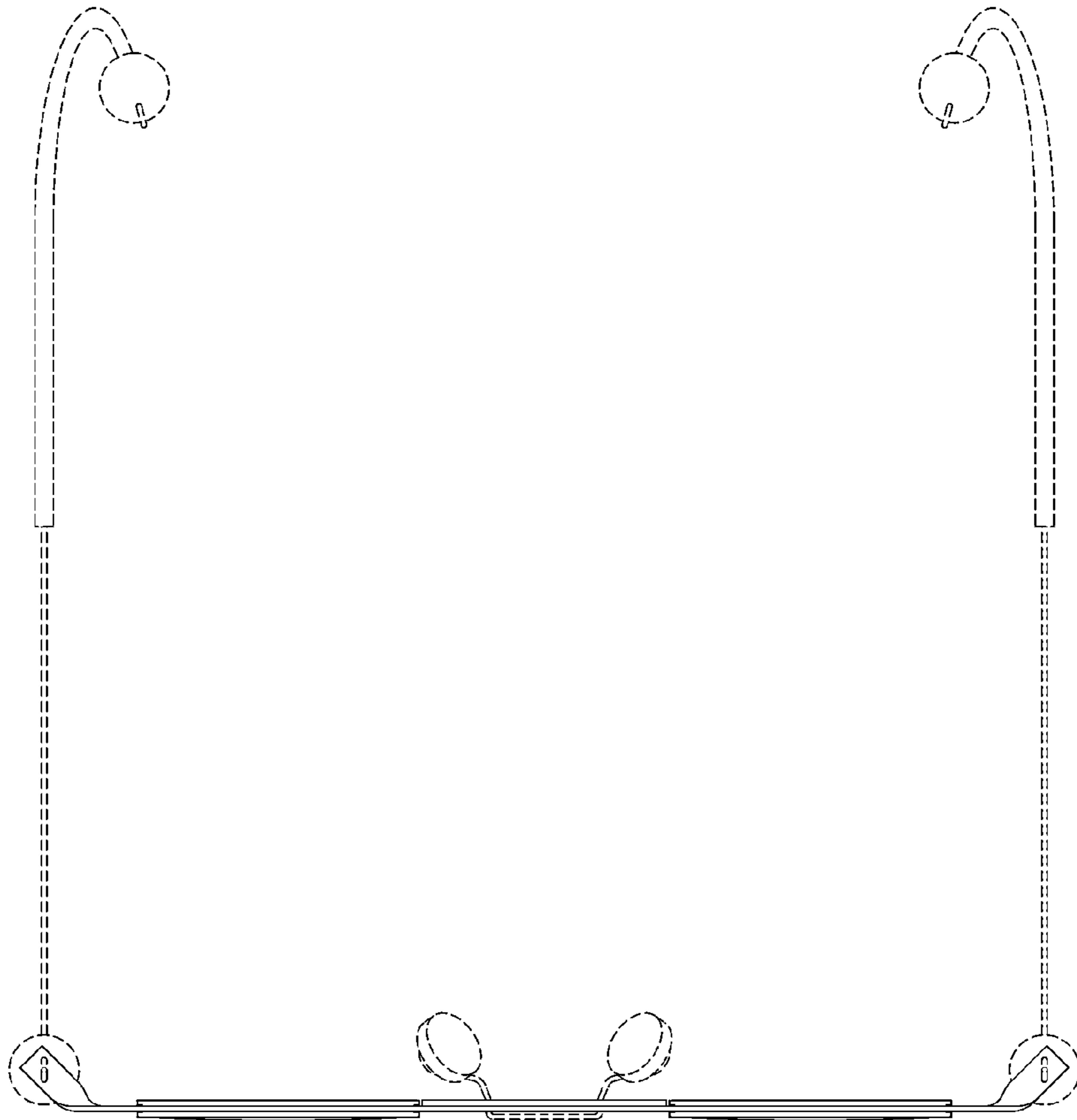


Fig. 4

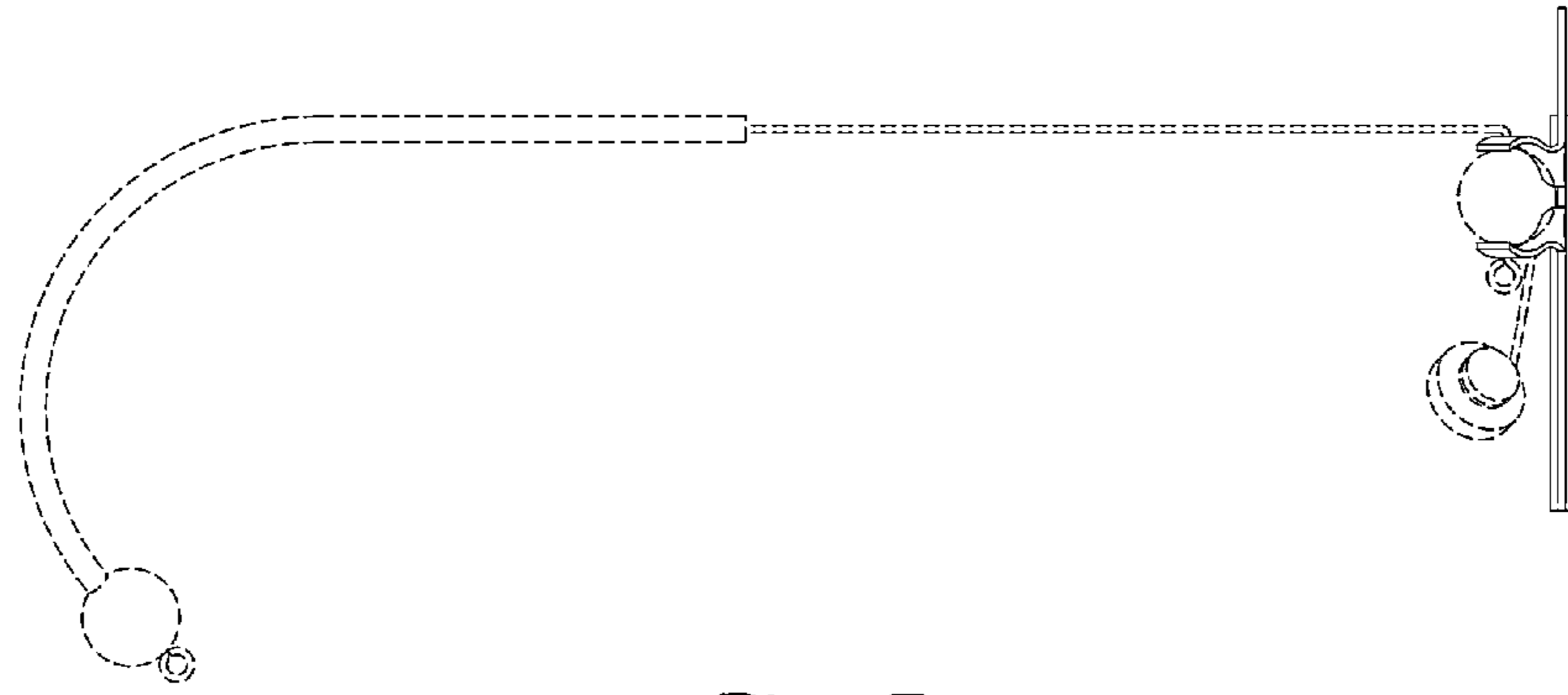


Fig. 5

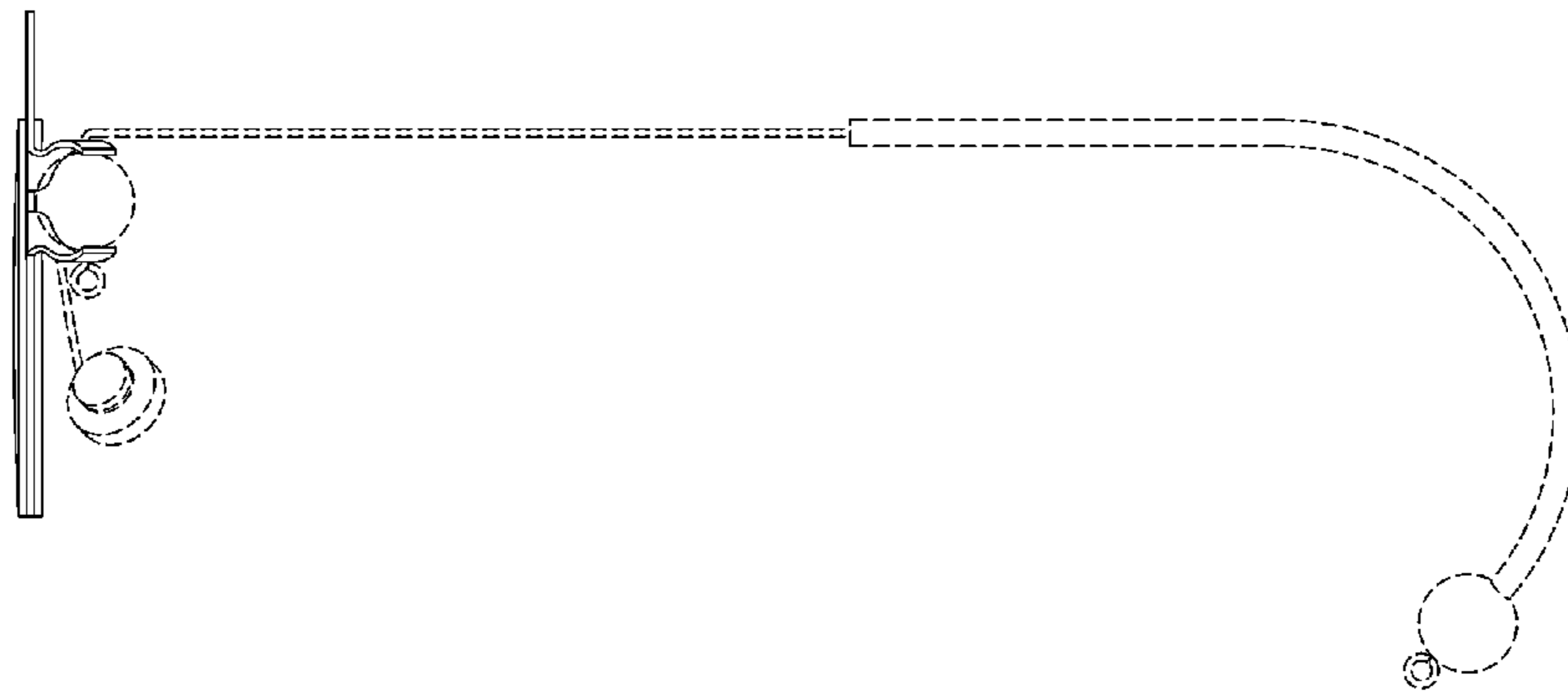


Fig. 6