



US00D716863S

(12) **United States Design Patent**
Zutell et al.

(10) **Patent No.:** **US D716,863 S**
(45) **Date of Patent:** **** Nov. 4, 2014**

(54) **CAMERA**
(71) Applicant: **Robert Bosch GmbH**, Stuttgart (DE)
(72) Inventors: **Kevin S. Zutell**, Lancaster, PA (US);
Oliver Bruhn, Newmanstown, PA (US)

D576,651 S * 9/2008 Willis et al. D16/208
D576,652 S * 9/2008 Willis D16/208
D576,653 S * 9/2008 Malthouse D16/208
D583,845 S * 12/2008 Hayashi et al. D16/203
D604,350 S * 11/2009 Fujii et al. D16/208
D649,175 S * 11/2011 Willis D16/242

(73) Assignee: **Robert Bosch GmbH**, Stuttgart (DE)

(**) Term: **14 Years**

(21) Appl. No.: **29/460,635**

(22) Filed: **Jul. 12, 2013**

(51) **LOC (10) Cl.** **16-01**

(52) **U.S. Cl.**
USPC **D16/203**

(58) **Field of Classification Search**
CPC G03B 17/02; G03B 19/04; G03B 17/56;
G03B 17/04; G03B 15/03; H04N 5/2251;
H04N 5/2252; H04N 5/2253; H04N 5/2254;
H04N 7/181; H04N 7/183; H04N 7/18;
G08B 13/1963; G08B 13/19619; G08B
13/19632; F16M 11/04; F16M 13/00
USPC D16/200, 202–205, 208, 218, 219, 242;
348/143, 148, 151, 373–376; 396/419,
396/427, 535, 539–541

See application file for complete search history.

(56) **References Cited**

U.S. PATENT DOCUMENTS

3,916,097 A * 10/1975 Imai 348/151
4,736,218 A * 4/1988 Kutman 396/427
D452,697 S * 1/2002 Fallowfield et al. D16/242
D554,170 S * 10/2007 Grotto D16/203
D555,691 S * 11/2007 Kato et al. D16/203
D558,249 S * 12/2007 Hsia D16/203
D572,288 S * 7/2008 Neoh et al. D16/208

OTHER PUBLICATIONS

MIC Series 550 Camera, Product Fact Sheet, Bosch Security, Apr. 26, 2013, Retrieved from Internet <URL: http://stna.resource.bosch.com/documents/MIC_Series_550_Data_sheet_enUS_18014400835618955.pdf> 8 pages.

(Continued)

Primary Examiner — Adir Aronovich
Assistant Examiner — Ramzi Almatrahi
(74) *Attorney, Agent, or Firm* — Michael Best & Friedrich LLP

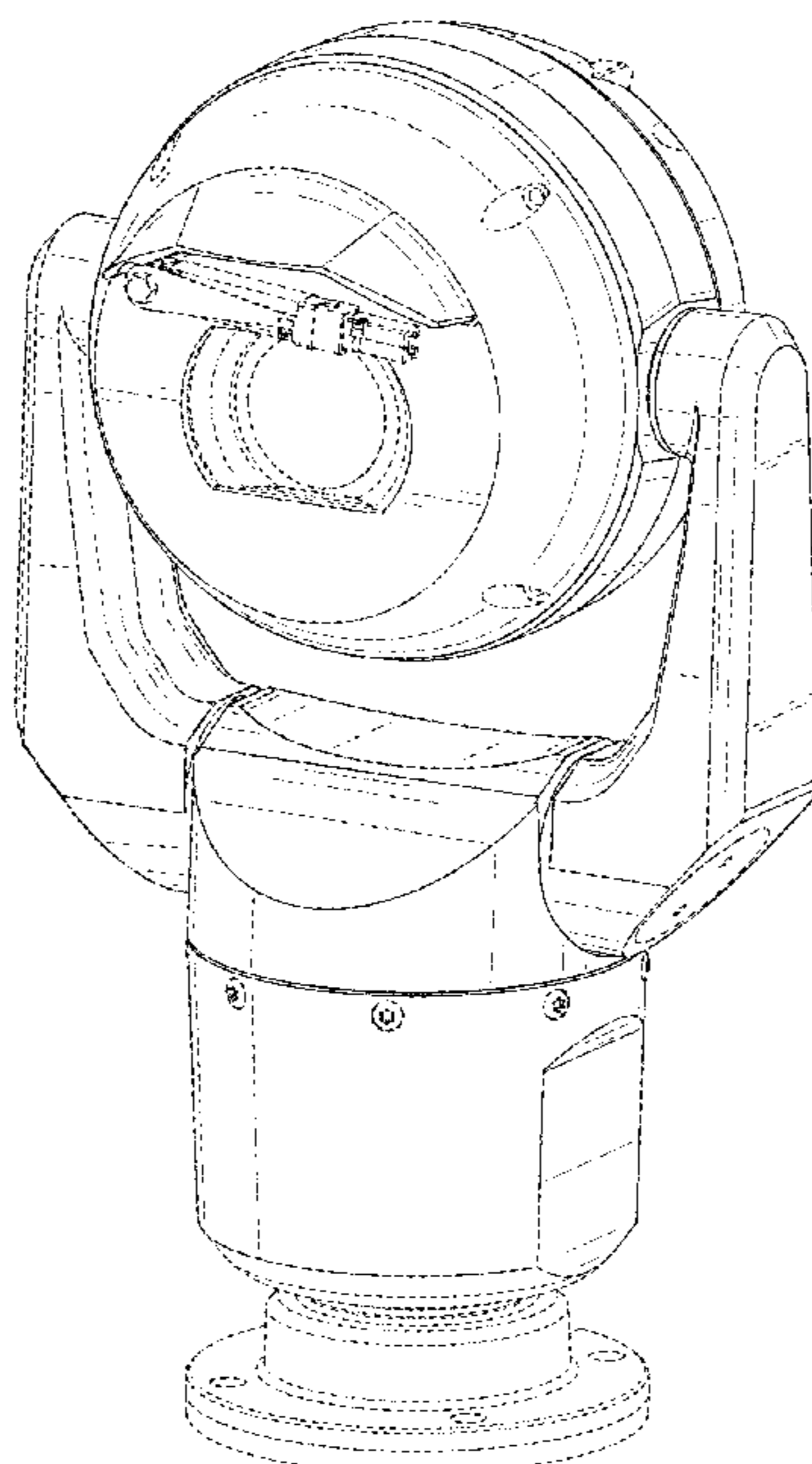
(57) **CLAIM**

The ornamental design for a camera, as shown and described.

DESCRIPTION

FIG. 1 is a perspective view of a camera showing our new design.
FIG. 2 is a front view of the camera shown in FIG. 1.
FIG. 3 is a left side view of the camera shown in FIG. 1.
FIG. 4 is a right side view of the camera shown in FIG. 1.
FIG. 5 is a rear view of the camera shown in FIG. 1.
FIG. 6 is a top view of the camera shown in FIG. 1; and,
FIG. 7 is a bottom view of the camera shown in FIG. 1.
The broken lines in the drawing are included for the purpose of illustrating environmental subject matter and form no part of the claimed design.

1 Claim, 7 Drawing Sheets



(56)

References Cited

OTHER PUBLICATIONS

MIC Series 400 Stainless Steel Camera, Product Fact Sheet, Bosch Security, Apr. 26, 2013, Retrieved from Internet <URL: http://stna.resource.bosch.com/documents/MIC_400_Series_Data_sheet_enUS_2307654283.pdf> 5 pages.

MIC Series 412TI Thermal Camera, Product Fact Sheet, Bosch Security, Jun. 11, 2012, Retrieved from Internet <URL: http://stna.resource.bosch.com/documents/Data_sheet_enUS_2317502987.pdf> 6 pages.

MIC Series 440 Explosion-Protected Camera, Product Fact Sheet, Bosch Security, May 13, 2013, Retrieved from Internet <URL: http://stna.resource.bosch.com/documents/MIC_Series_440_Data_sheet_enUS_2322412683.pdf> 6 pages.

MIC Series 550 Infrared Camera, Product Fact Sheet, Bosch Security, Apr. 26, 2013, Retrieved from Internet <URL: http://stna.resource.bosch.com/documents/MIC_Series_550_IR_Data_sheet_enUS_18014400835923979.pdf> 8 pages.

MIC Series 612 Thermal Camera, Product Fact Sheet, Bosch Security, Jun. 21, 2013, Retrieved from Internet <URL: http://stna.resource.bosch.com/documents/MIC_Series_612_Data_sheet_enUS_7880732043.pdf> 9 pages.

* cited by examiner

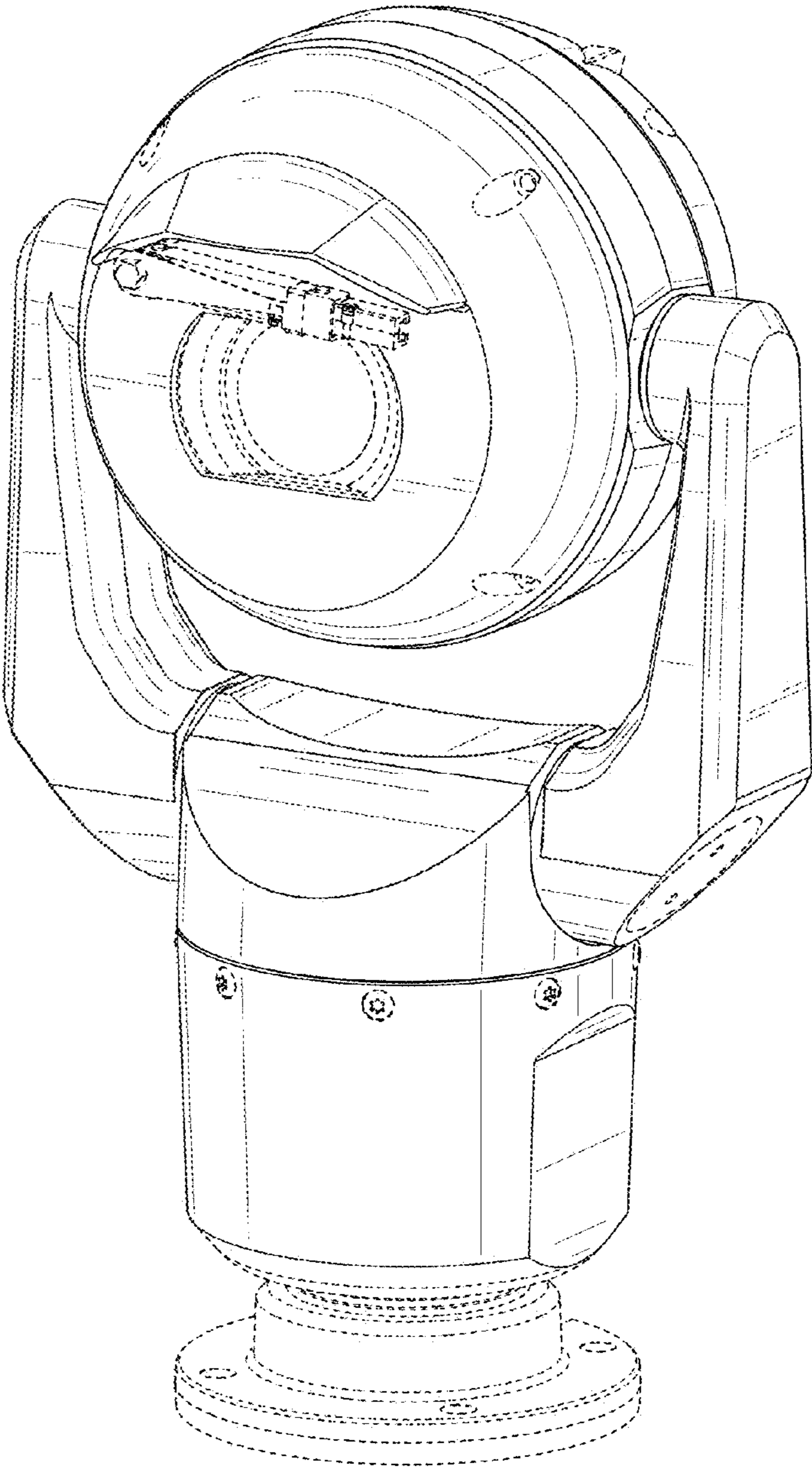


FIG. 1

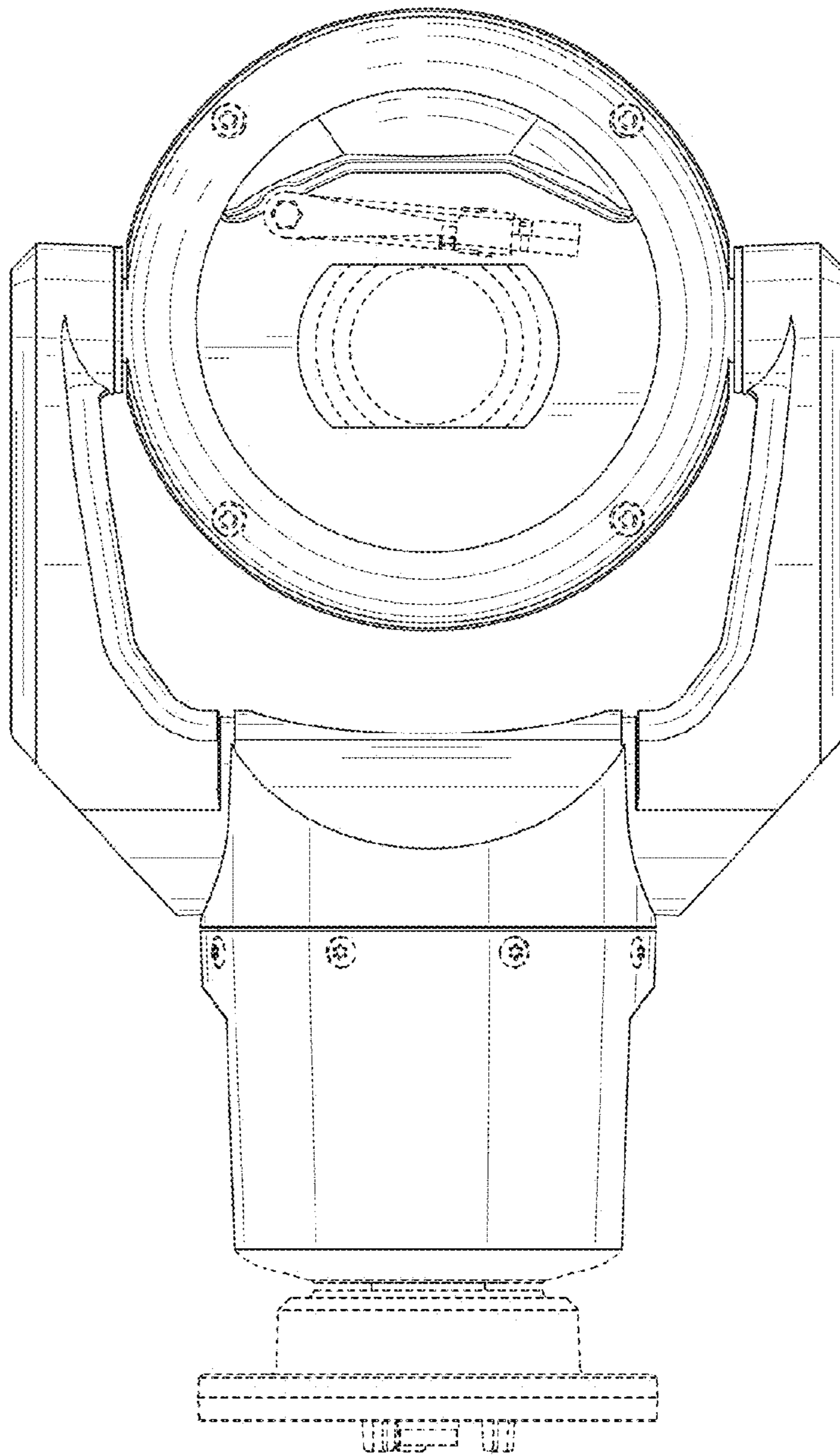


FIG. 2

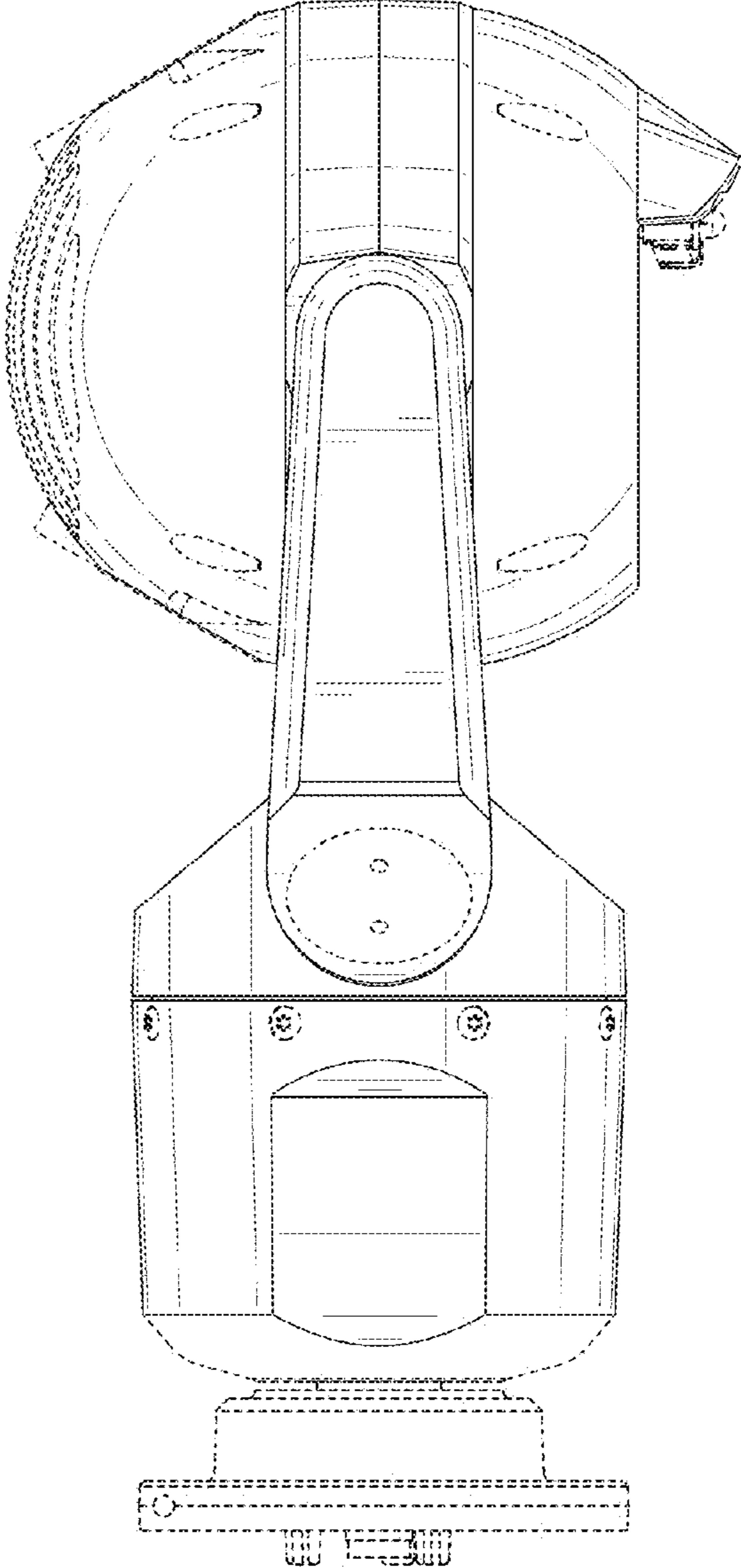


FIG. 3

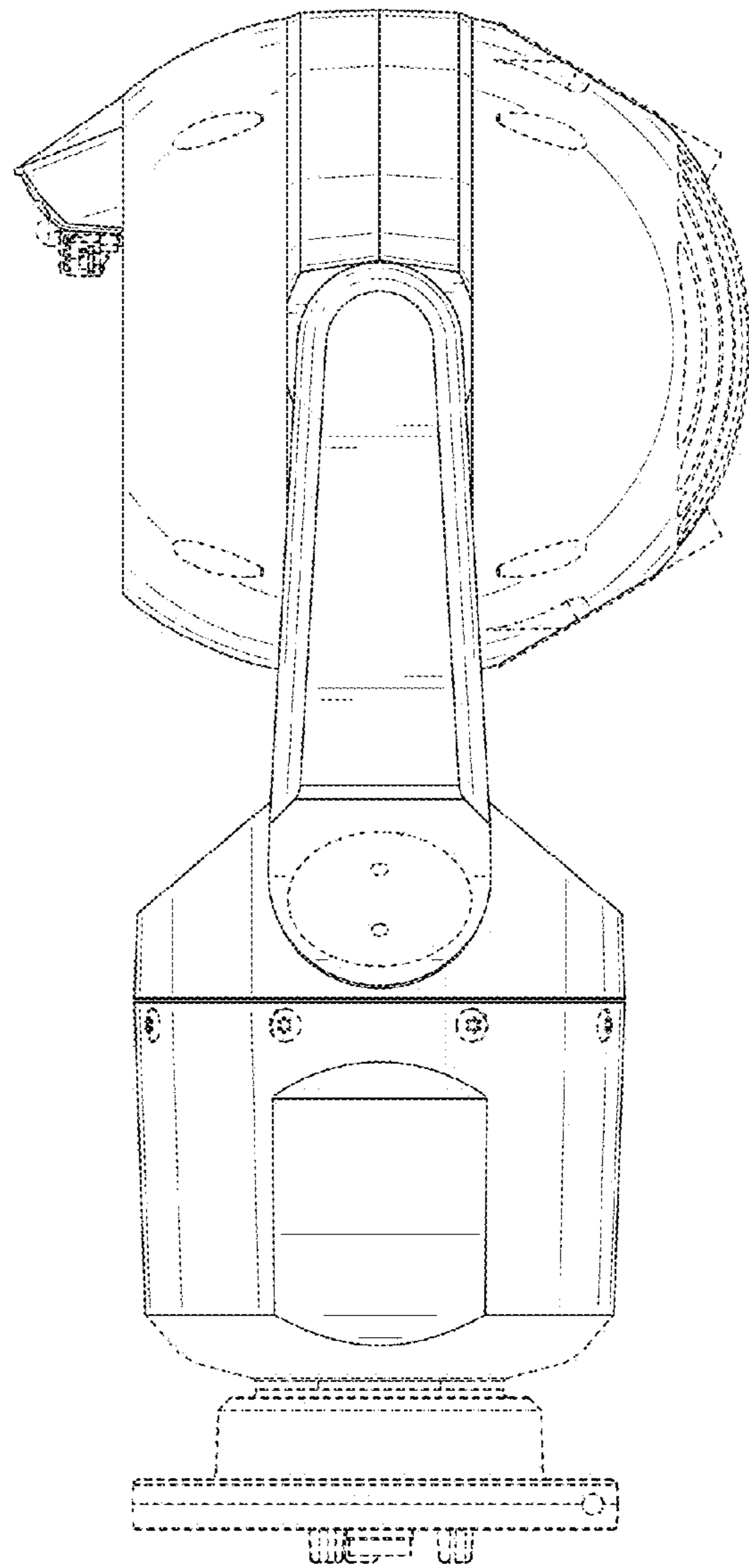


FIG. 4

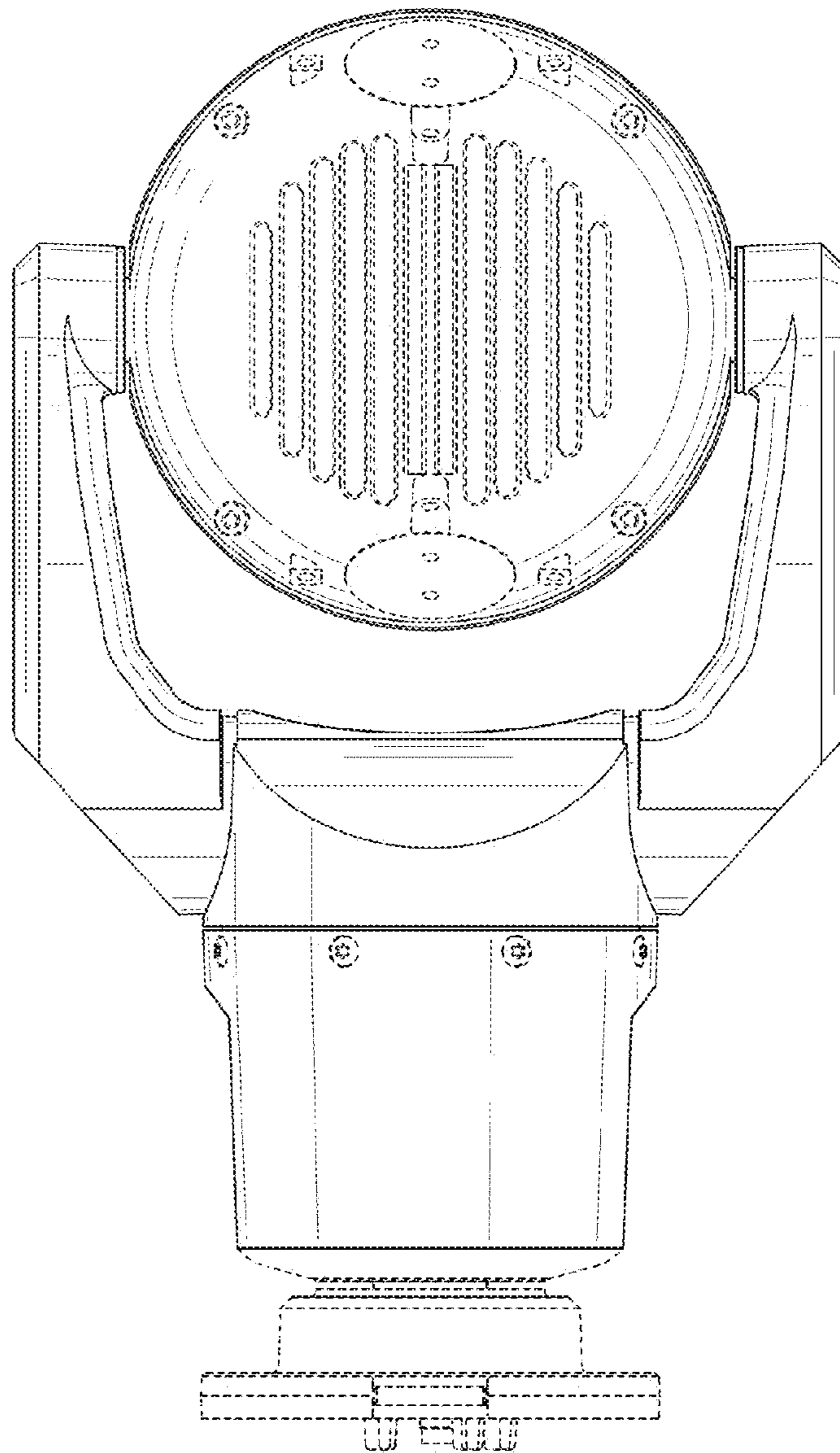


FIG. 5

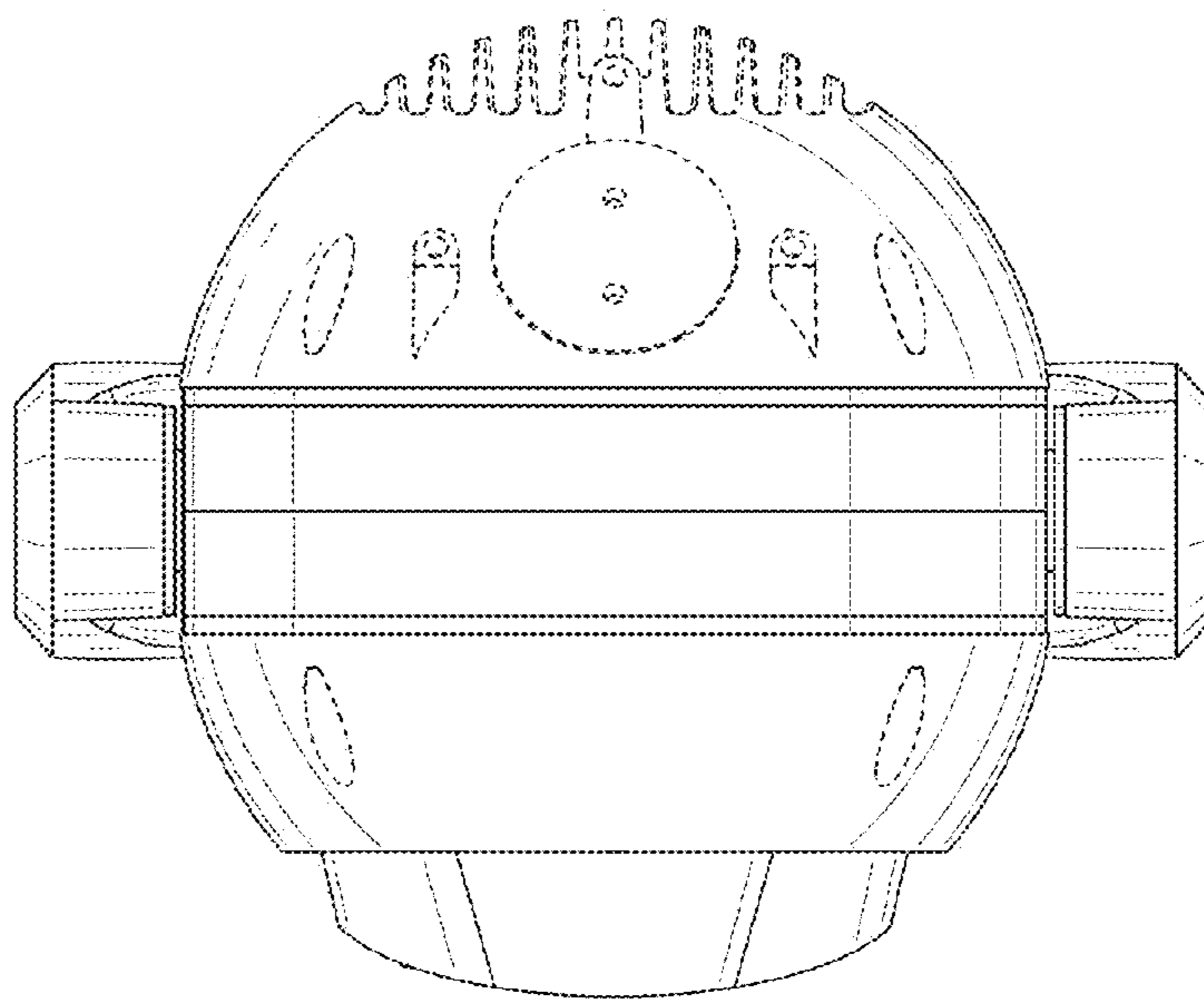


FIG. 6

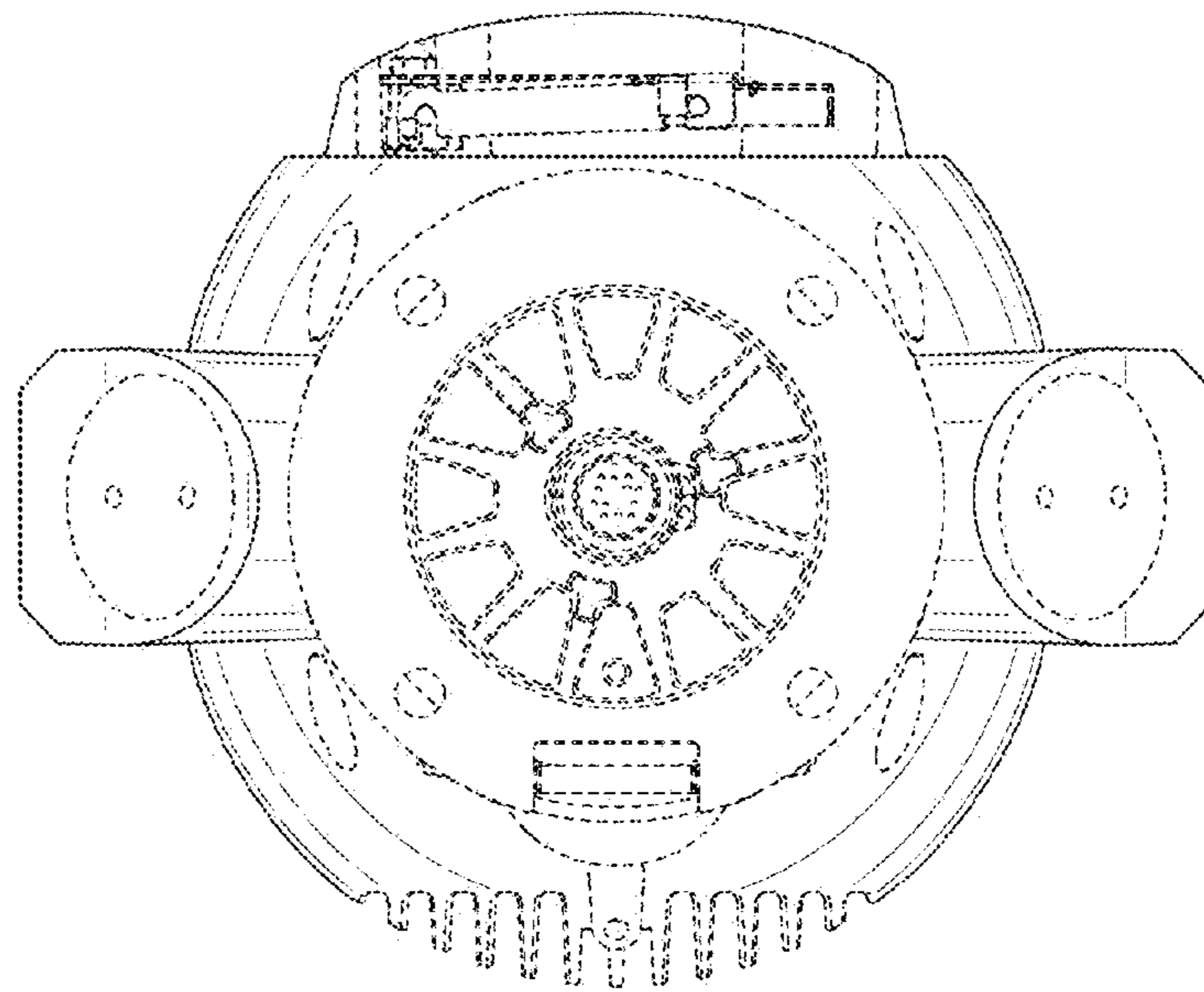


FIG. 7