



US00D716862S

(12) **United States Design Patent**
Hoshi

(10) **Patent No.:** **US D716,862 S**
(45) **Date of Patent:** **** Nov. 4, 2014**

(54) **DIGITAL CAMERA**

(71) Applicant: **Nikon Corporation**, Tokyo (JP)

(72) Inventor: **Tomohiro Hoshi**, Tokyo (JP)

(73) Assignee: **Nikon Corporation**, Tokyo (JP)

(**) Term: **14 Years**

(21) Appl. No.: **29/462,070**

(22) Filed: **Jul. 30, 2013**

(30) **Foreign Application Priority Data**

Jan. 31, 2013 (JP) 2013-001901

(51) **LOC (10) Cl.** **16-01**

(52) **U.S. Cl.**
USPC **D16/202**

(58) **Field of Classification Search**
USPC D16/200, 202, 204, 206, 208, 218;
348/373-376; 358/909.1; 396/535-541
See application file for complete search history.

(56) **References Cited**

U.S. PATENT DOCUMENTS

7,646,426	B2 *	1/2010	Saiki et al.	348/373
D641,033	S *	7/2011	Nohara	D16/202
D647,552	S *	10/2011	Ogasawara et al.	D16/202
D654,943	S *	2/2012	Ogasawara et al.	D16/202
D695,329	S *	12/2013	Fujita et al.	D16/202
D701,257	S *	3/2014	Ogawa	D16/202

FOREIGN PATENT DOCUMENTS

JP 1429763 S 12/2011

OTHER PUBLICATIONS

Web page of Nikon Corporation, Digital Compact Camera Nikon Coolpix P330 http://www.nikon.com/news/2013/0305_cpx_03.htm, dated Mar. 5, 2013, pp. 1-3.

Web page of Nikon Corporation, http://www.nikon-image.com/products/camera/compact/cool_pix/performance/p330/gallery.htm, dated Jul. 18, 2003, pp. 1-3.

* cited by examiner

Primary Examiner — Adir Aronovich

(74) *Attorney, Agent, or Firm* — Wolf, Greenfield & Sacks, P.C.; Randy J. Pritzker

(57) **CLAIM**

The ornamental design for a digital camera, as shown and described.

DESCRIPTION

FIG. 1 is a front perspective view of a digital camera showing my new design;

FIG. 2 is a rear perspective view thereof;

FIG. 3 is a front view thereof;

FIG. 4 is a rear view thereof;

FIG. 5 is a top plan view thereof;

FIG. 6 is a bottom plan view thereof;

FIG. 7 is a right side view thereof; and,

FIG. 8 is a left side view thereof.

1 Claim, 8 Drawing Sheets

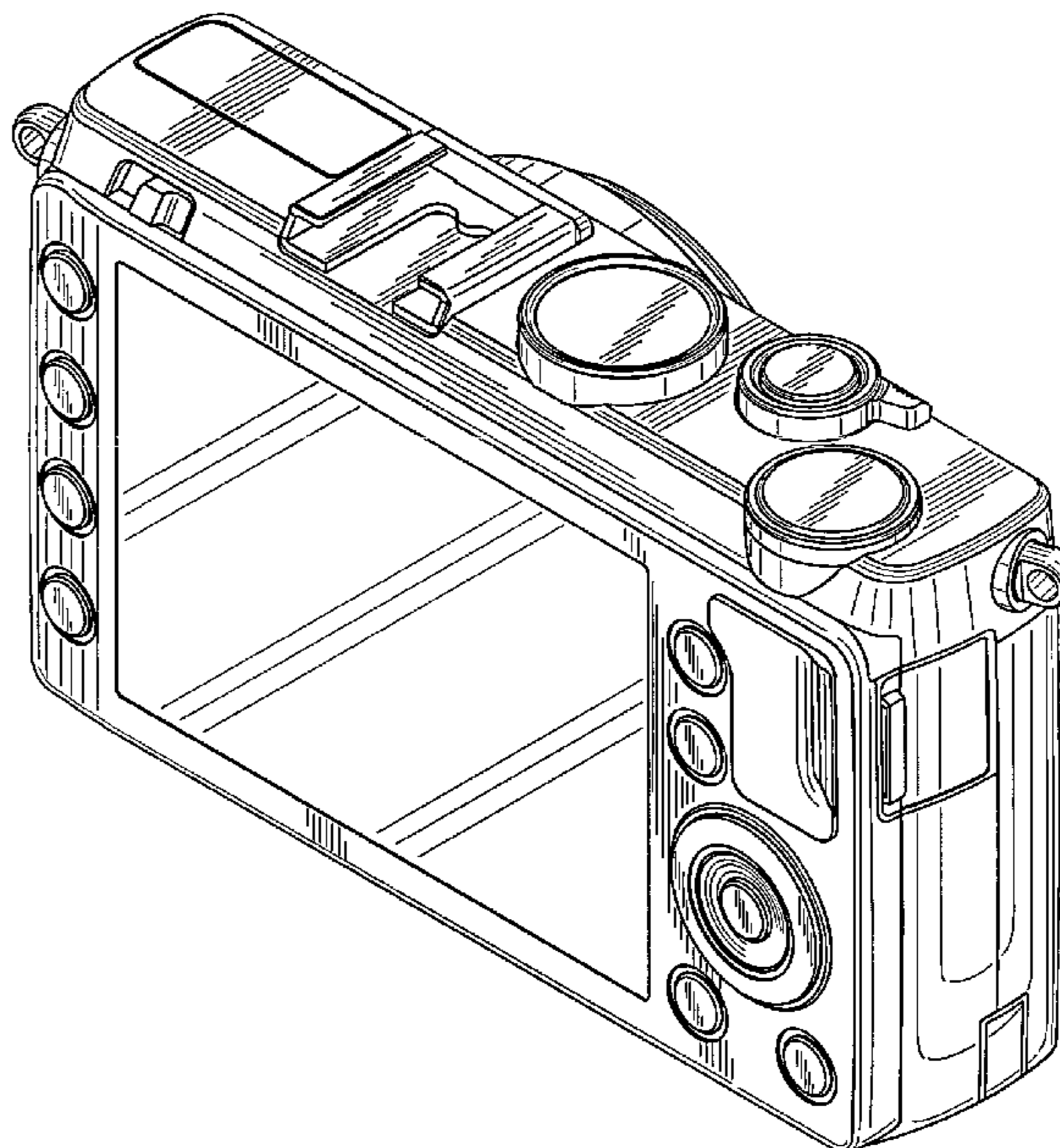
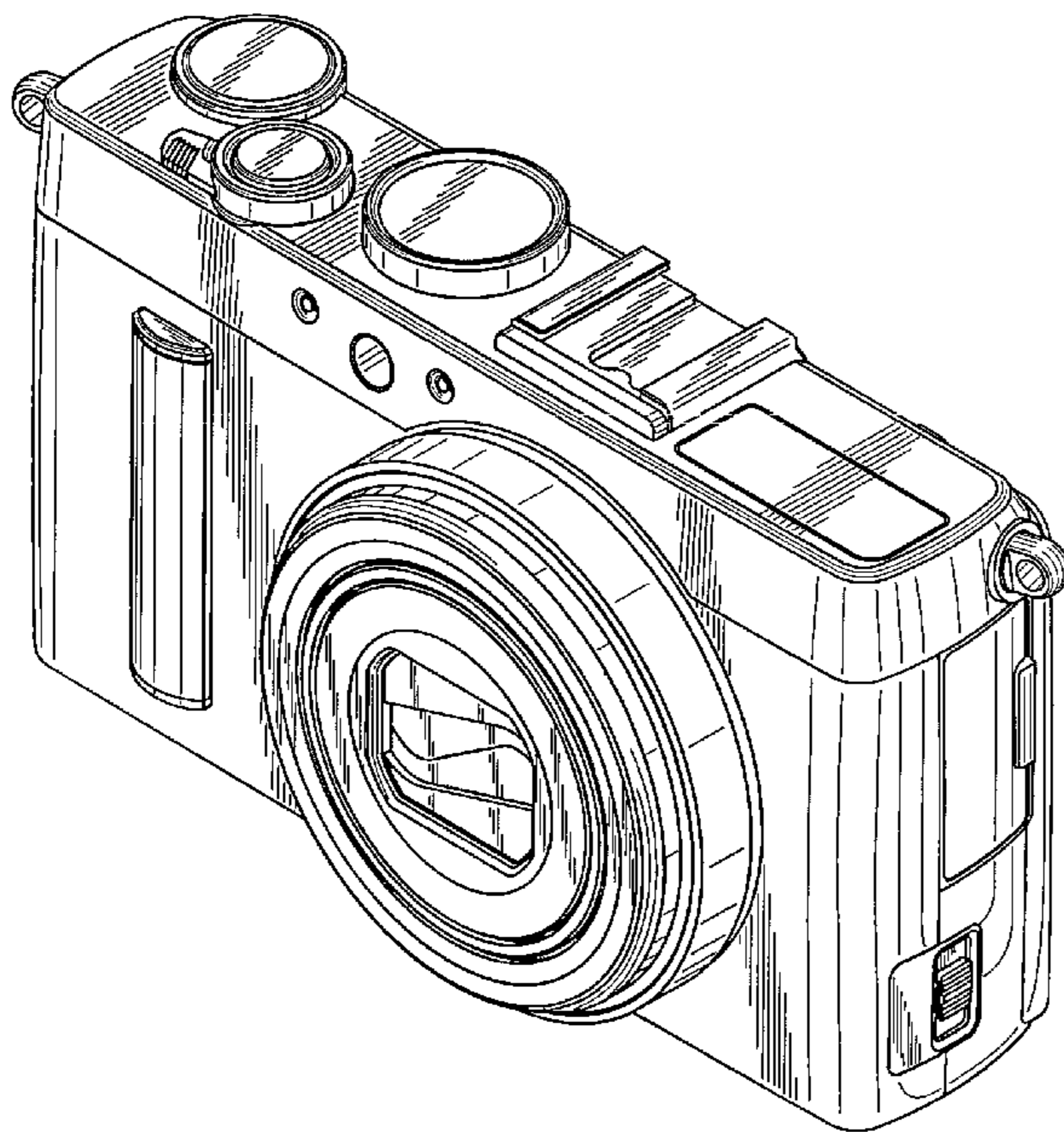


FIG. 1

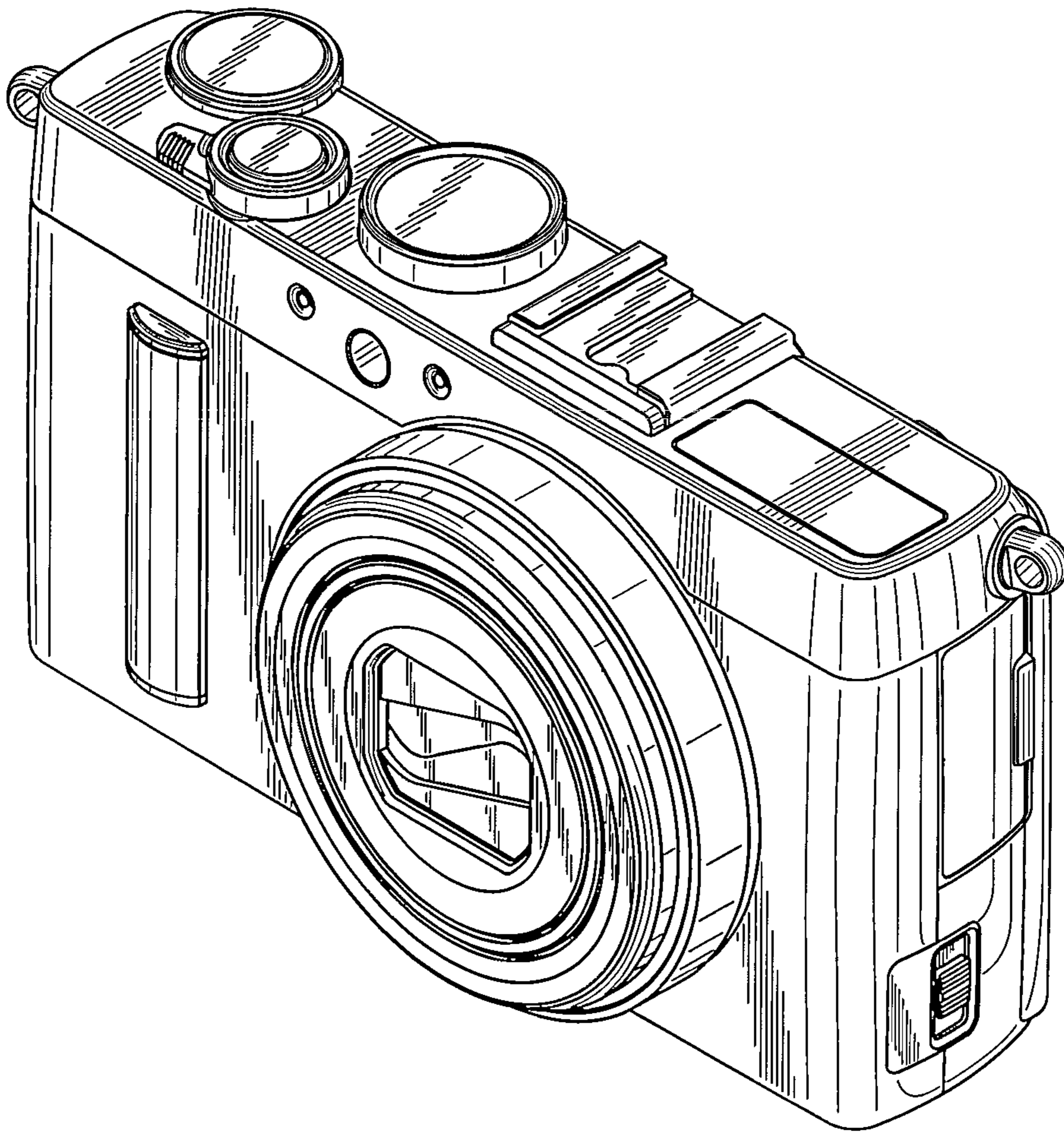


FIG. 2

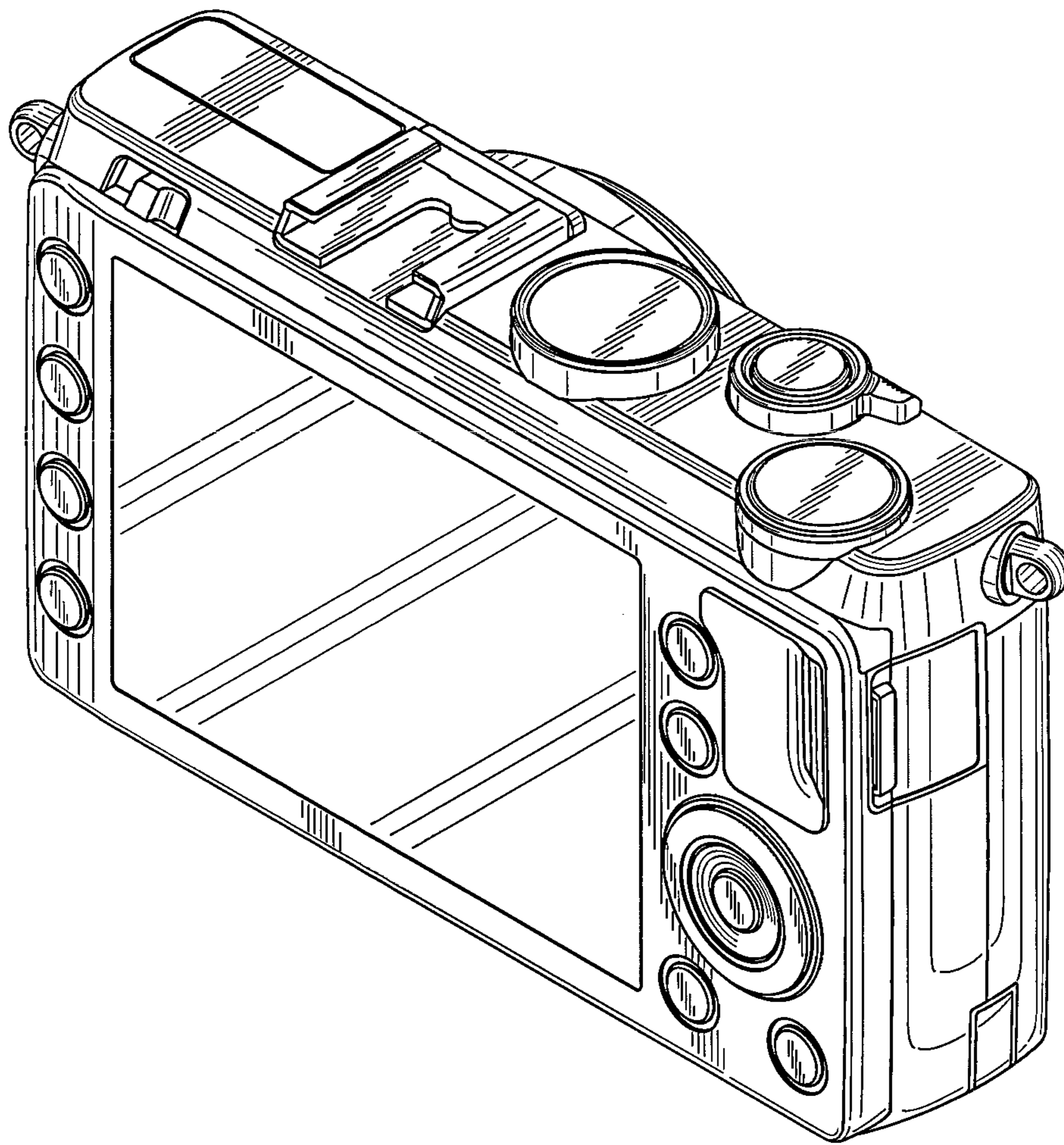


FIG. 3

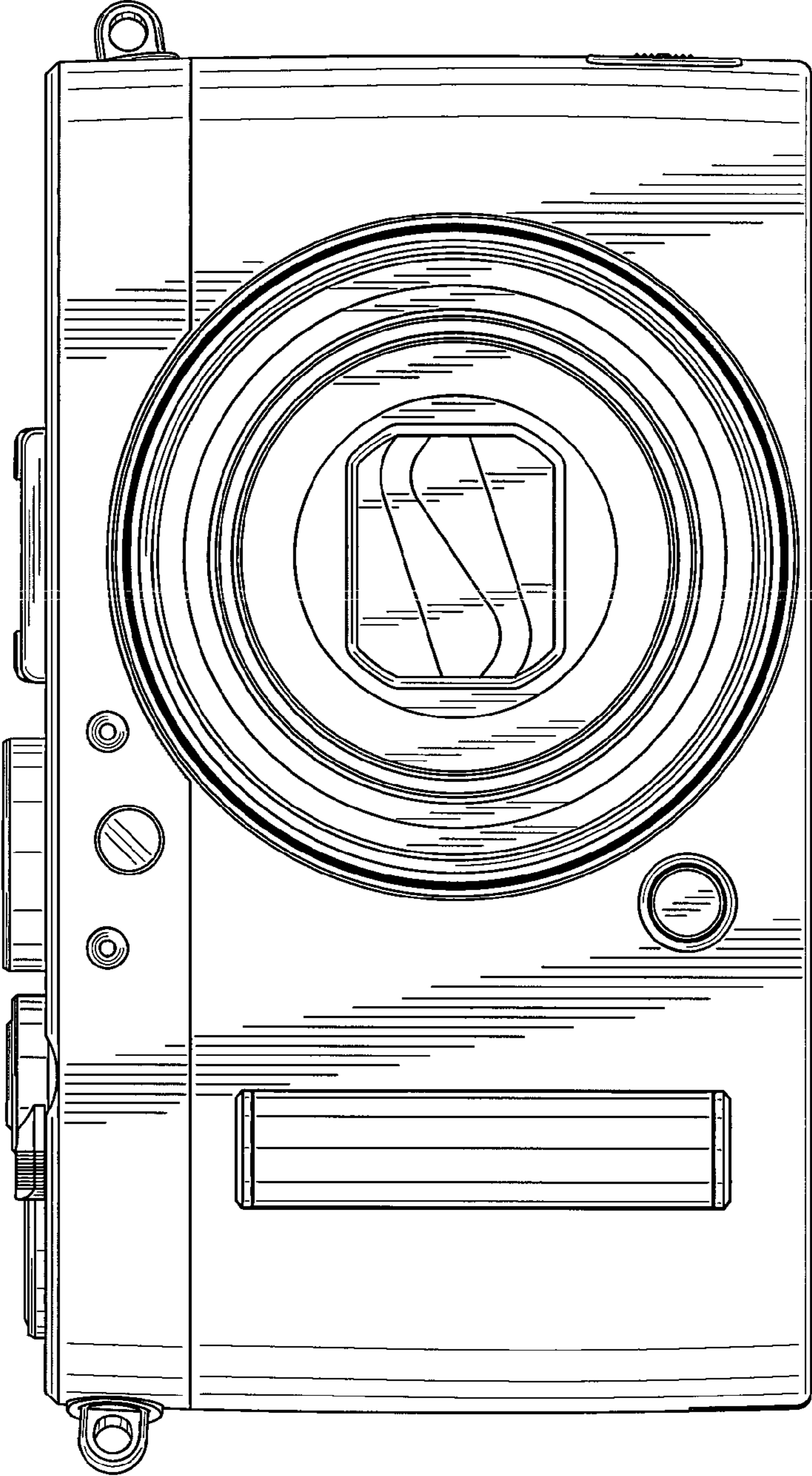


FIG. 4

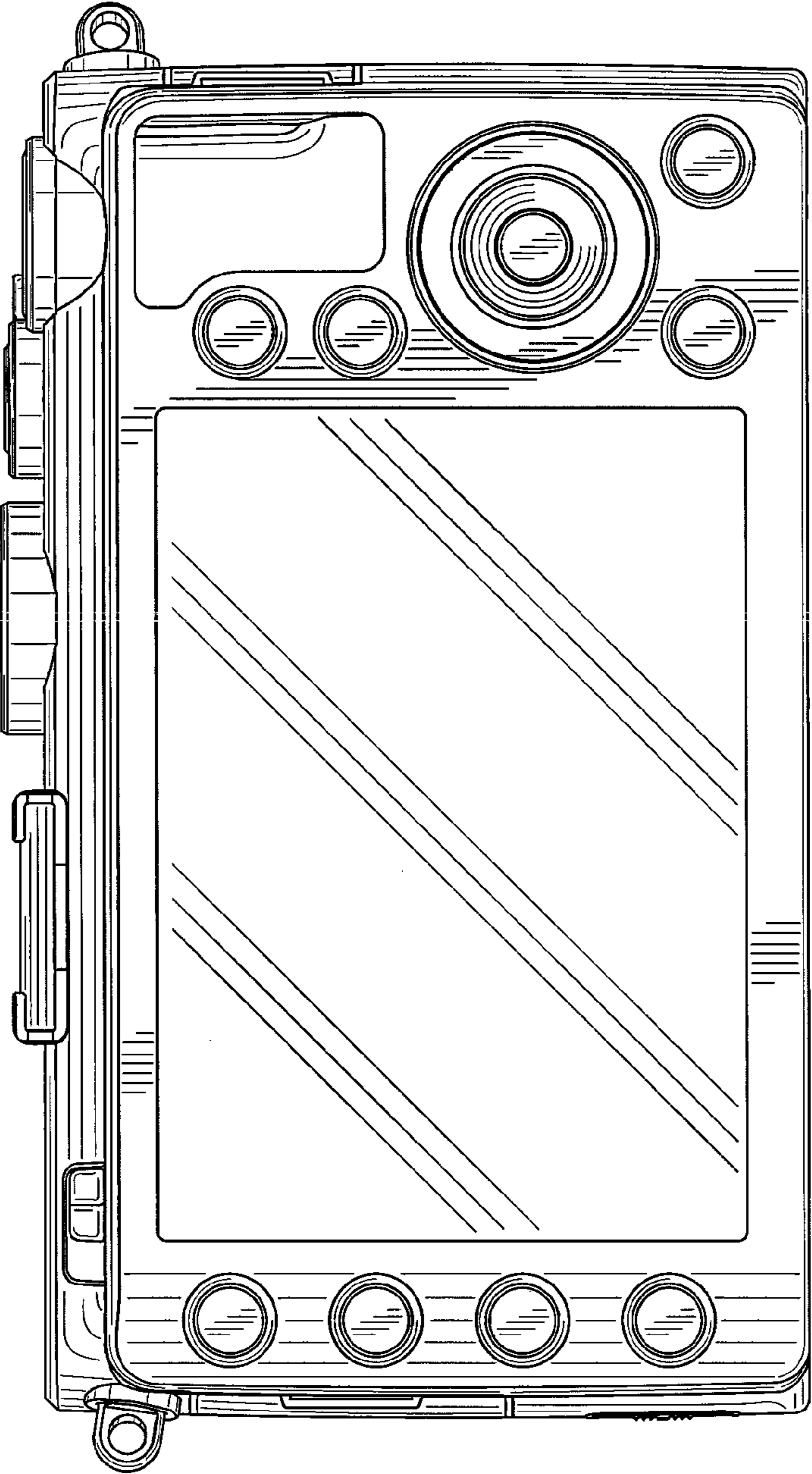


FIG. 5

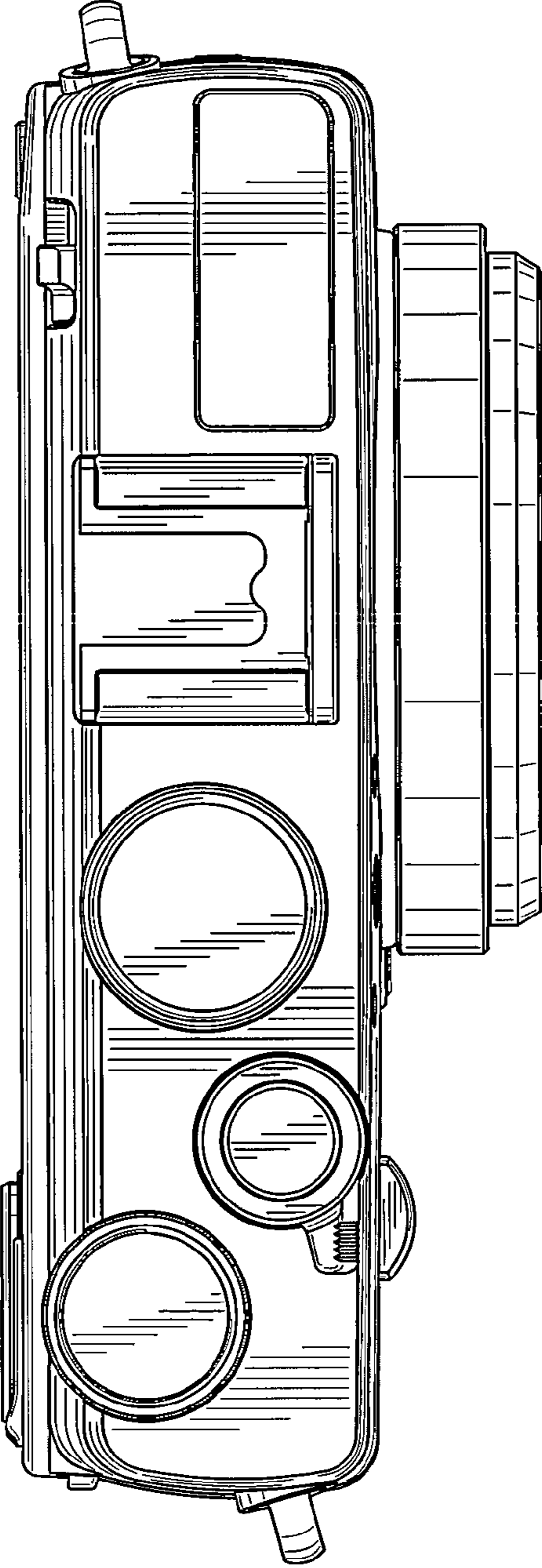


FIG. 6

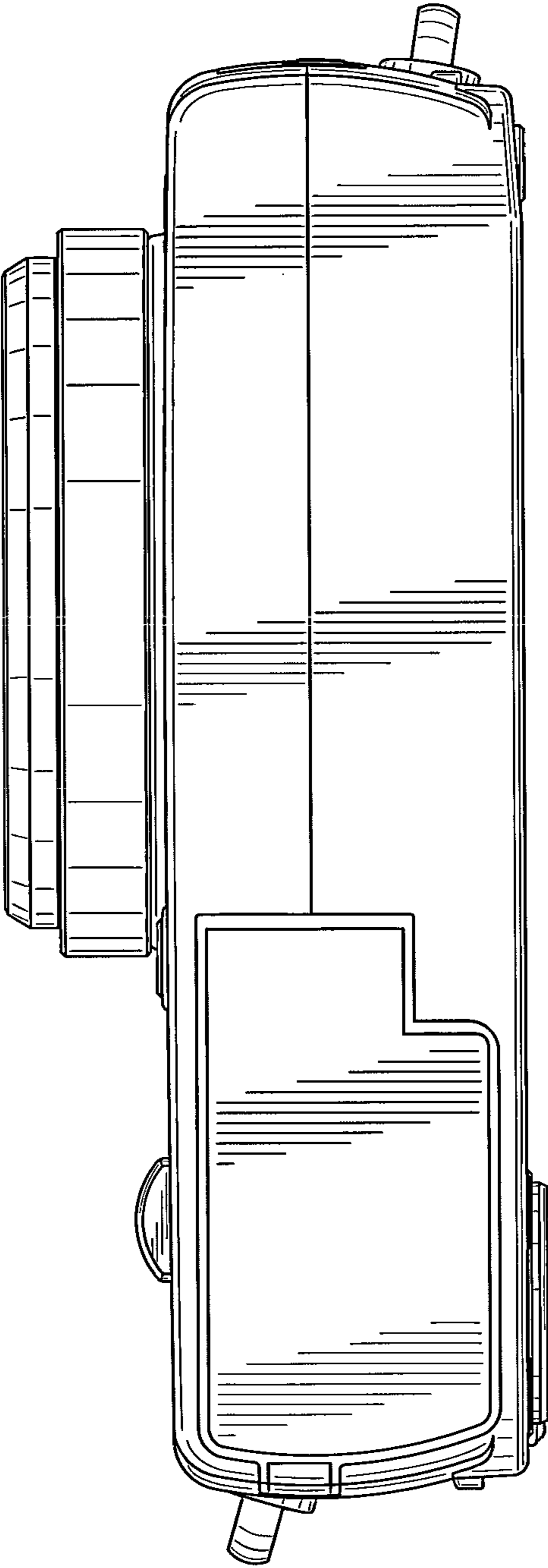


FIG. 7

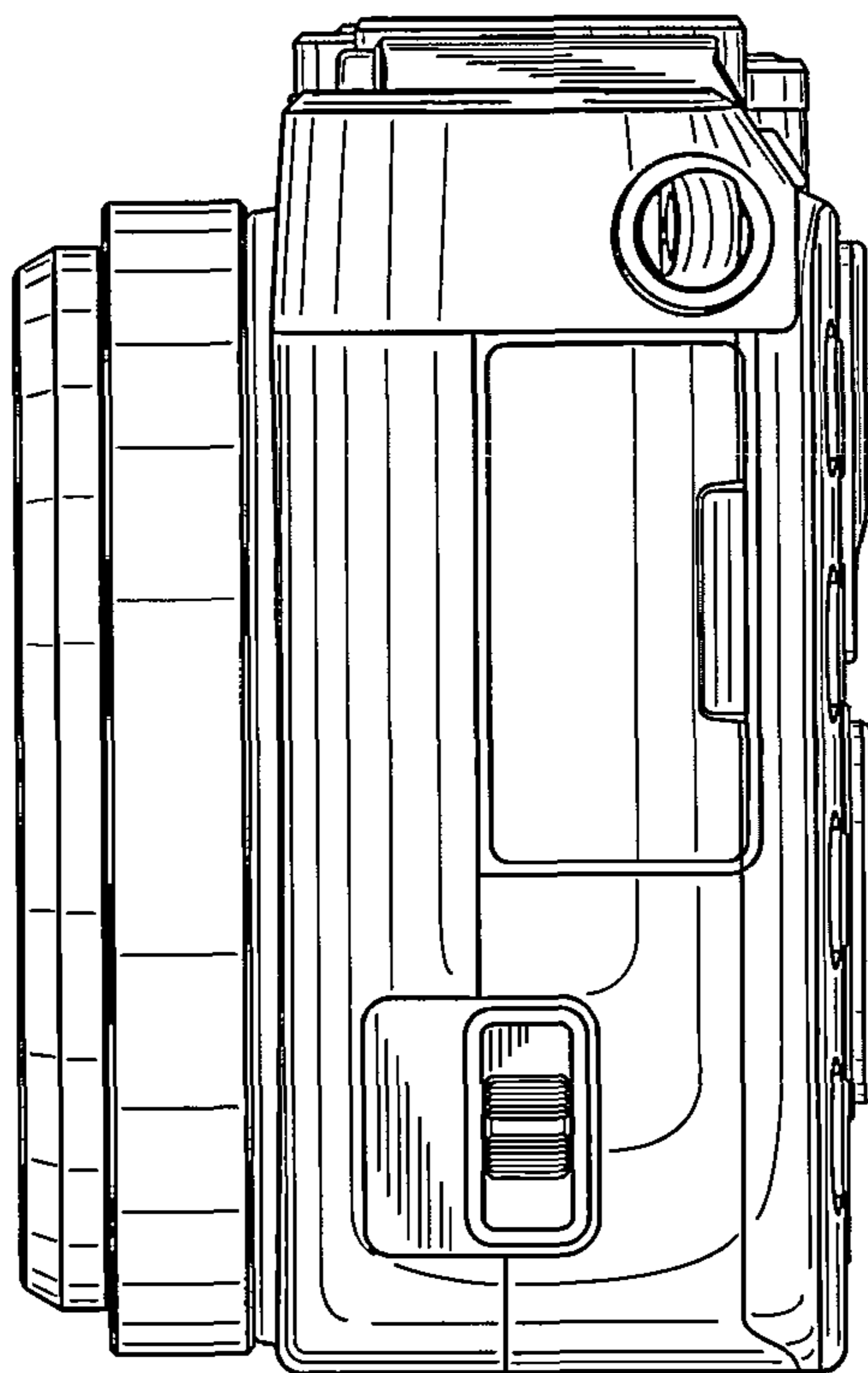


FIG. 8

