



US00D716861S

(12) **United States Design Patent**
Sakai

(10) **Patent No.:** **US D716,861 S**
(45) **Date of Patent:** **** Nov. 4, 2014**

(54) **ELECTRONIC CAMERA**
(75) Inventor: **Hiroyuki Sakai**, Minato-ku (JP)
(73) Assignee: **FUJIFILM Corporation**, Tokyo (JP)
(**) Term: **14 Years**

D605,679	S	*	12/2009	Hayashi	D16/206
D609,730	S	*	2/2010	Nakamura	D16/202
D611,977	S	*	3/2010	Kim et al.	D16/202
D620,036	S	*	7/2010	Obata	D16/202
8,149,316	B2	*	4/2012	Kusatsugu et al.	348/333.06
D671,583	S	*	11/2012	Sakai	D16/202
D672,801	S	*	12/2012	Nakamura et al.	D16/202
D672,802	S	*	12/2012	Nojima et al.	D16/219
2013/0076975	A1	*	3/2013	Kumoi et al.	348/373

(21) Appl. No.: **29/420,716**
(22) Filed: **May 11, 2012**
(30) **Foreign Application Priority Data**

Dec. 14, 2011 (JP) 2011-029045
(51) **LOC (10) Cl.** **16-01**
(52) **U.S. Cl.**
USPC **D16/202**
(58) **Field of Classification Search**
USPC D16/200, 202, 204, 206, 216, 217, 218;
348/373, 374, 375, 376; 358/909.1;
396/176, 177, 178, 354, 535
See application file for complete search history.

* cited by examiner
Primary Examiner — Phillip S Hyder
(74) *Attorney, Agent, or Firm* — Sughrue Mion, PLLC

(56) **References Cited**
U.S. PATENT DOCUMENTS
D497,173 S * 10/2004 Ogura D16/202
D537,857 S * 3/2007 Nakamura D16/202
D547,783 S * 7/2007 Sakai D16/202
D563,445 S * 3/2008 Sakai D16/202
D568,363 S * 5/2008 Funakoshi D16/217
D581,440 S * 11/2008 Nakamura D16/202

(57) **CLAIM**
The ornamental design for an electronic camera, as shown and described.

DESCRIPTION
FIG. 1 is a top, front and side perspective view of an electronic camera showing my new design;
FIG. 2 is a front elevational view thereof;
FIG. 3 is a rear elevational view thereof;
FIG. 4 is a top plan view thereof;
FIG. 5 is a bottom plan view thereof;
FIG. 6 is a left side elevational view thereof; and,
FIG. 7 is a right side elevational view thereof.
The broken lines illustrate portions of the electronic camera that form no part of the claimed design.

1 Claim, 7 Drawing Sheets

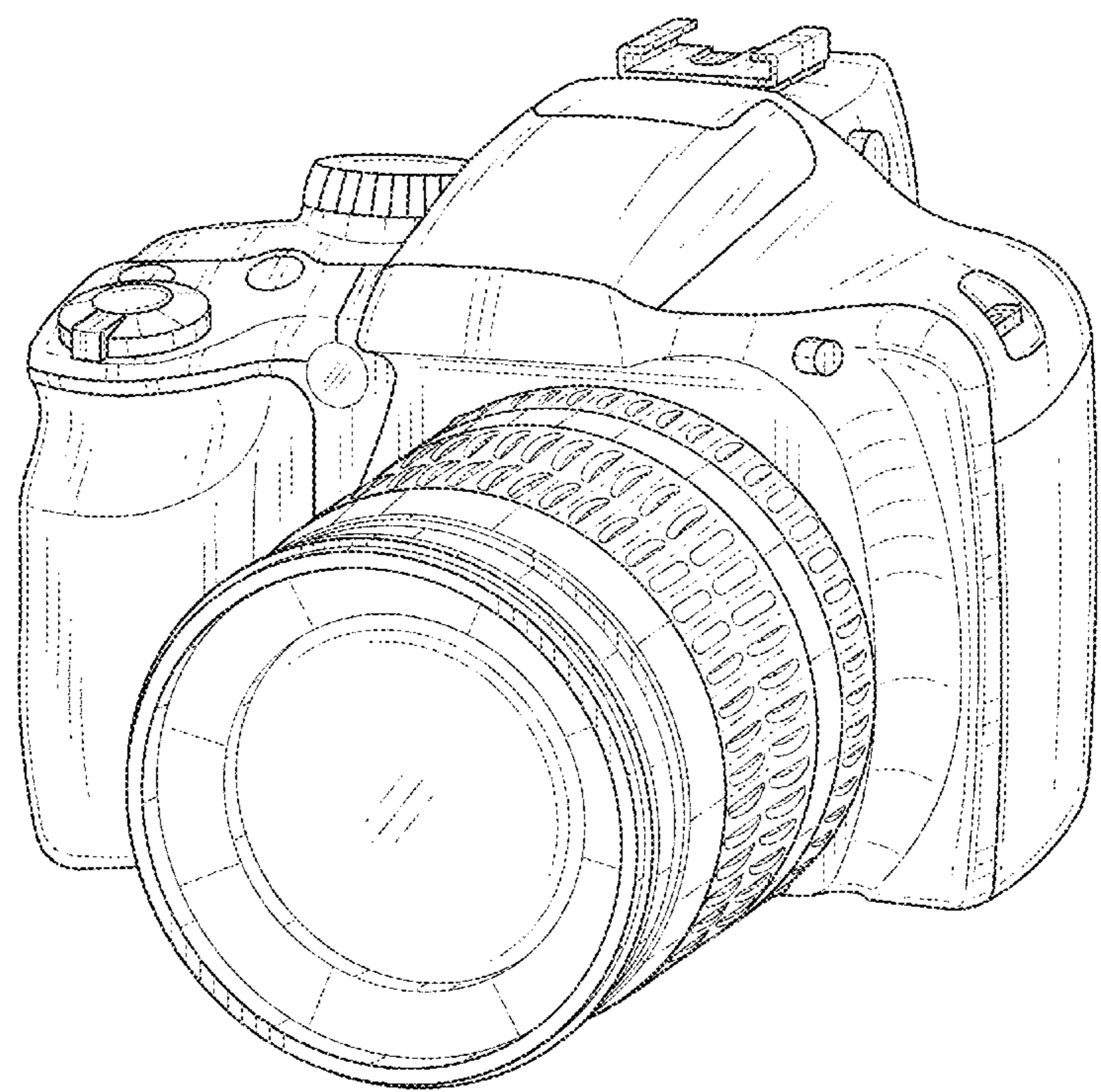


FIG.1

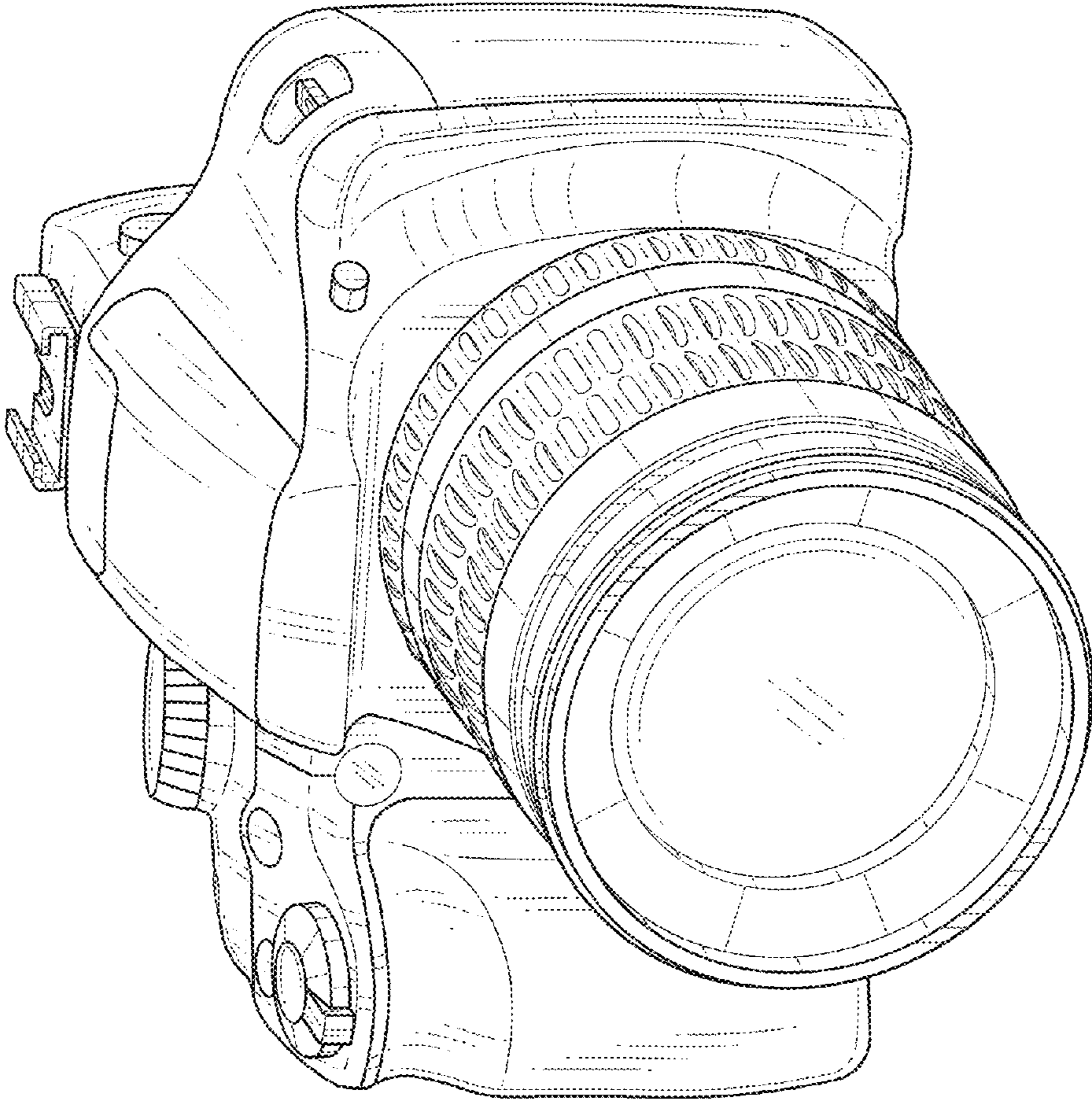


FIG.2

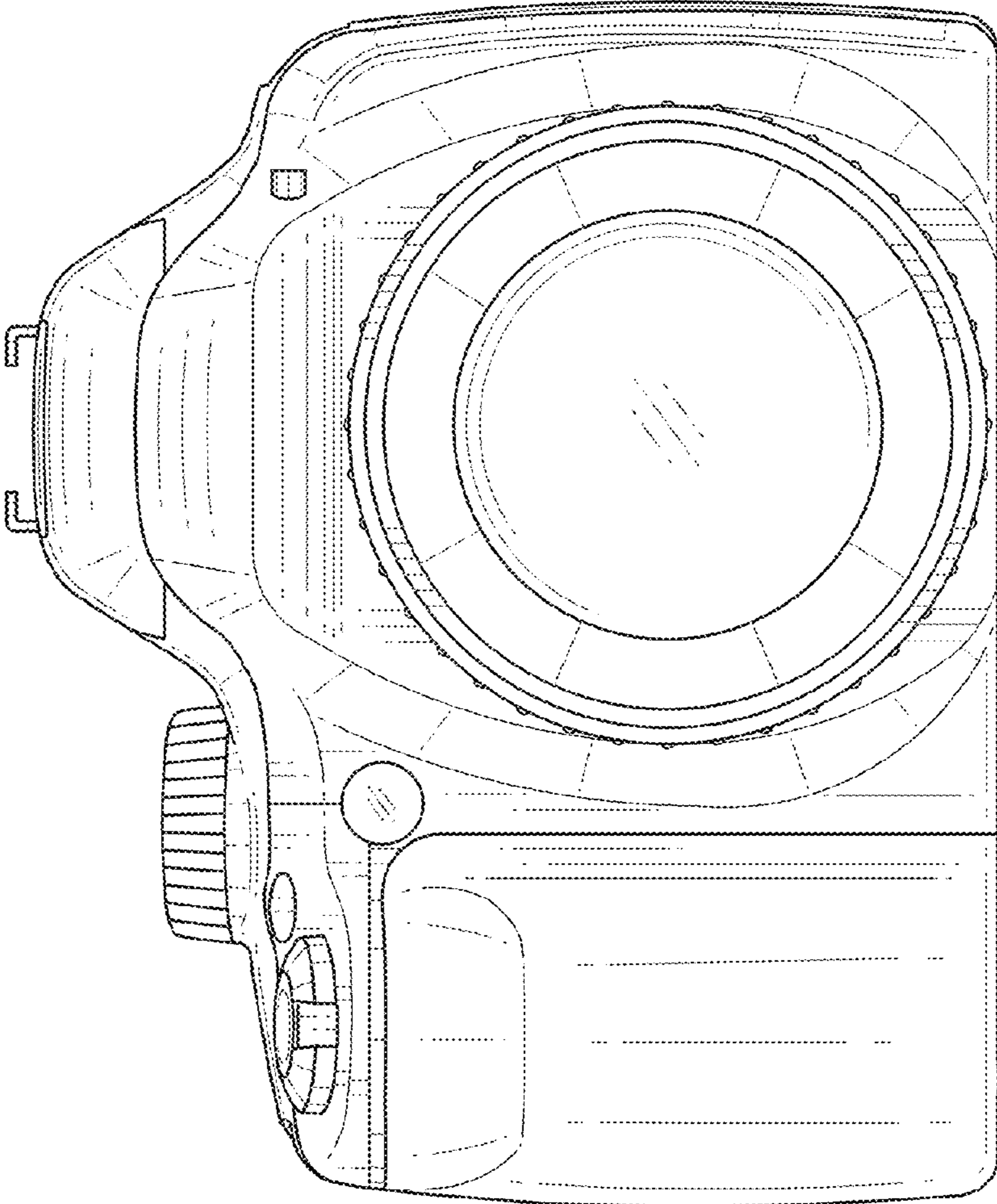


FIG. 3

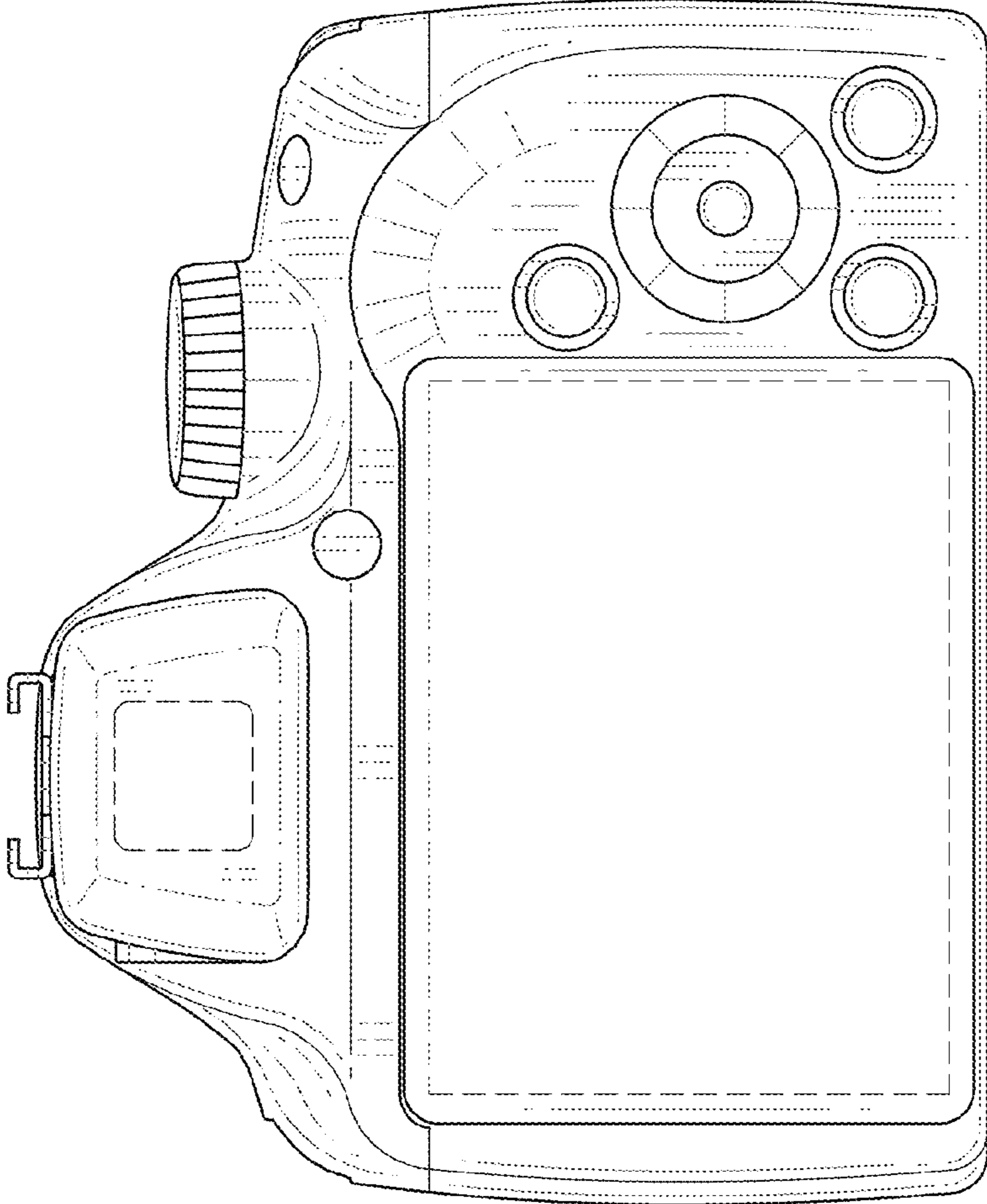


FIG. 4

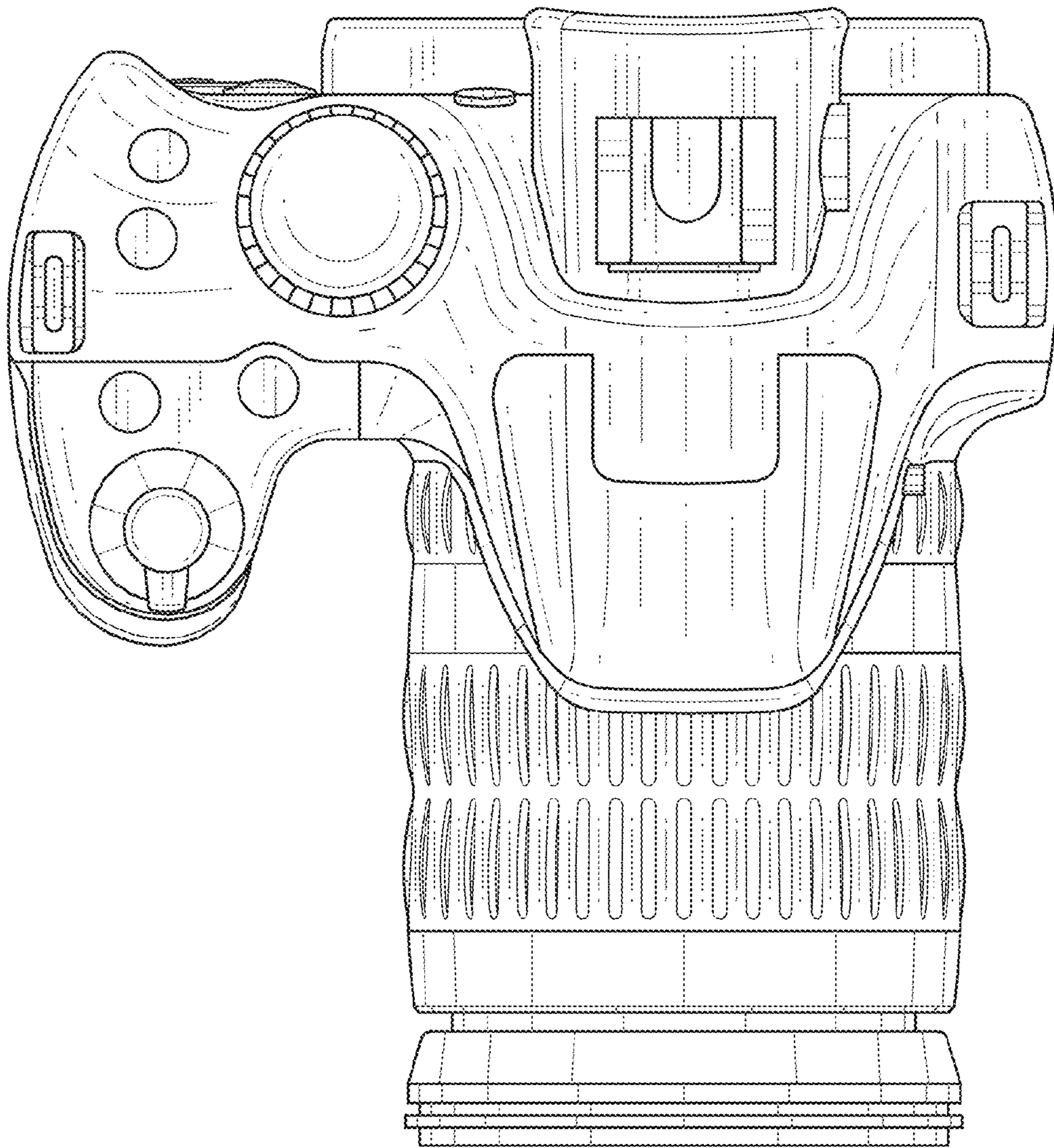


FIG.5

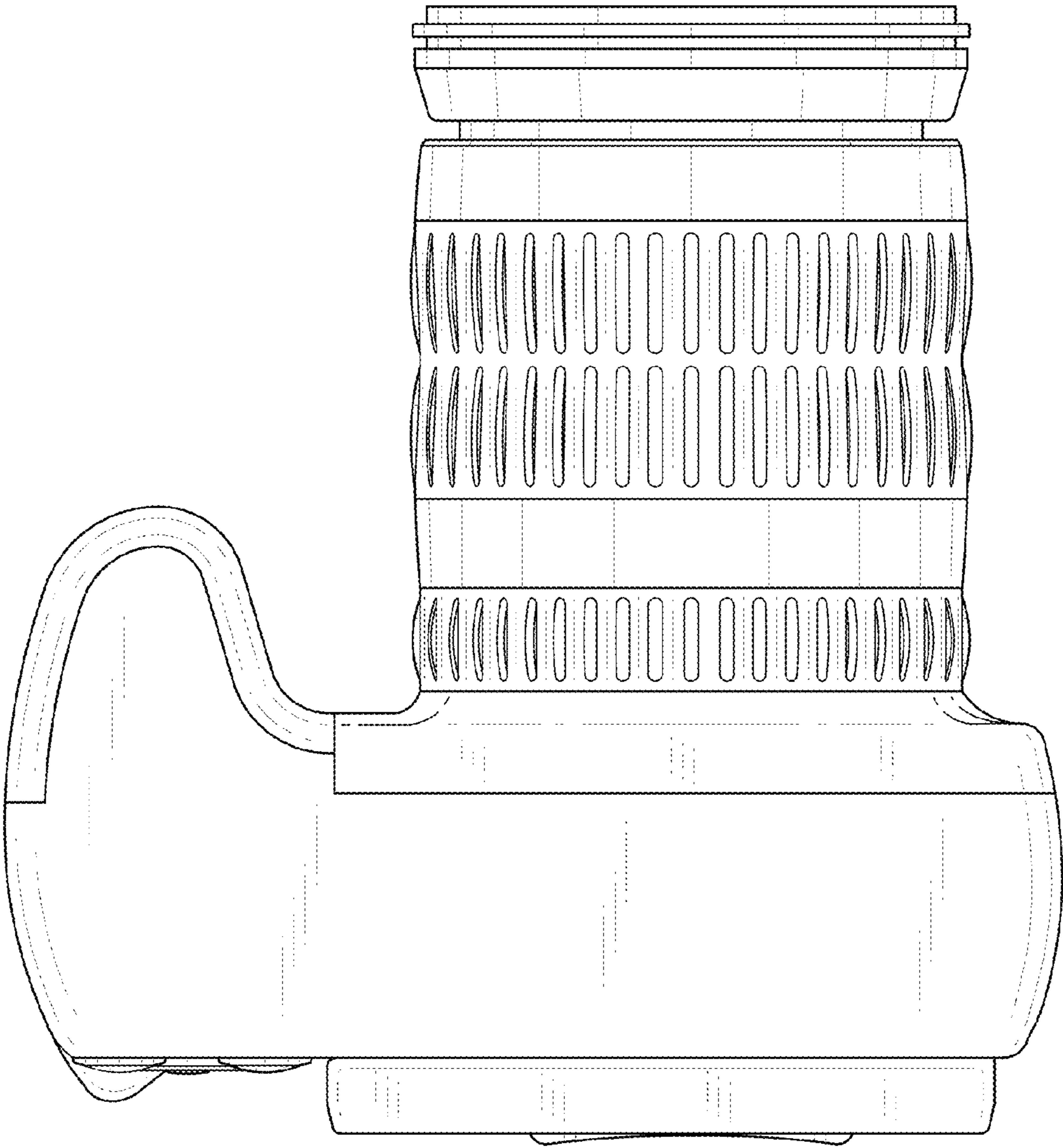


FIG. 6

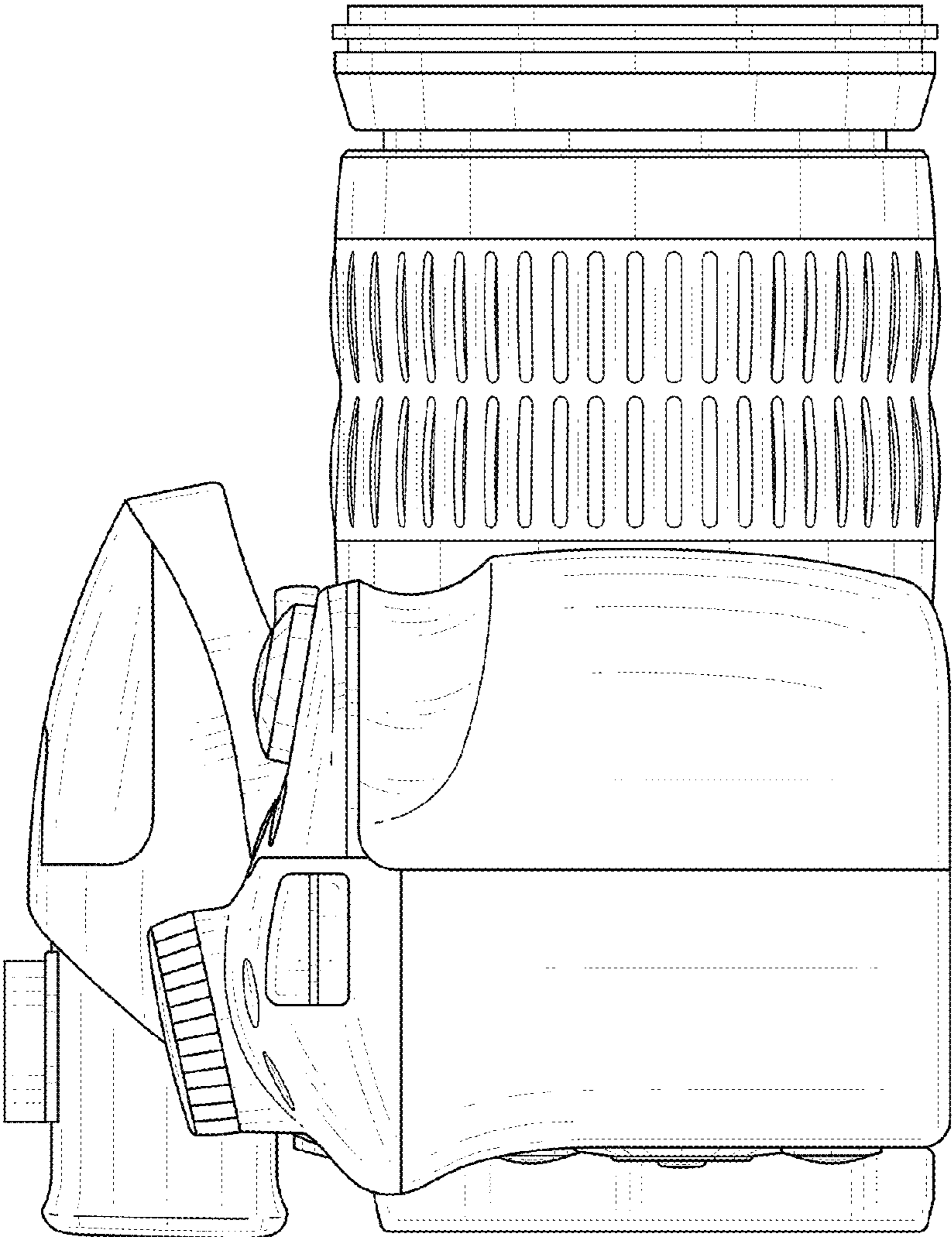


FIG. 7

