



US00D716859S

(12) **United States Design Patent**
Nakajima

(10) **Patent No.:** **US D716,859 S**

(45) **Date of Patent:** **** Nov. 4, 2014**

(54) **PAIR OF BINOCULARS**

(71) Applicant: **Nikon Vision Co., Ltd.**, Tokyo (JP)

(72) Inventor: **Ayumi Nakajima**, Kamakura (JP)

(73) Assignee: **Nikon Vision Co., Ltd.**, Tokyo (JP)

(**) Term: **14 Years**

(21) Appl. No.: **29/464,060**

(22) Filed: **Aug. 12, 2013**

(30) **Foreign Application Priority Data**

Feb. 28, 2013 (JP) 2013-004217

(51) **LOC (10) Cl.** **16-06**

(52) **U.S. Cl.**
USPC **D16/133**

(58) **Field of Classification Search**
CPC G02B 23/00
USPC D16/133, 130; 359/407, 408, 409, 410,
359/411, 412, 414, 415, 416, 418, 419, 426
See application file for complete search history.

(56) **References Cited**

U.S. PATENT DOCUMENTS

4,186,992	A *	2/1980	Kamakura	359/416
4,329,013	A *	5/1982	Hengst	359/418
D299,724	S *	2/1989	Aoki	D16/133
D346,175	S *	4/1994	Chan	D16/133
D361,777	S *	8/1995	Akabane et al.	D16/133
D395,055	S *	6/1998	Lee	D16/133
D412,177	S *	7/1999	Fujii	D16/133
D412,921	S *	8/1999	Hayamizu	D16/133
D447,160	S *	8/2001	Kishigami et al.	D16/133
6,476,963	B1 *	11/2002	Chen	359/412
D473,248	S *	4/2003	Ono	D16/133
D486,507	S *	2/2004	Fujii	D16/133
D519,538	S *	4/2006	Hayamizu	D16/133
D523,047	S *	6/2006	Swift et al.	D16/133
D590,856	S *	4/2009	Hayamizu	D16/133

D621,431	S *	8/2010	Holbl	D16/133
D627,378	S *	11/2010	Watanabe	D16/133
D662,119	S *	6/2012	Hoshi et al.	D16/133
D681,709	S *	5/2013	Radau et al.	D16/133
D684,202	S *	6/2013	Radau et al.	D16/133

FOREIGN PATENT DOCUMENTS

JP	1130464	S	1/2002
JP	1163289	S	1/2003

OTHER PUBLICATIONS

Website, http://www.nikonvision.co.jp/products/binoculars/compact/lite_x25.htm, dated: Nov. 16, 2006, pp. 1-2.

Website, http://www.nikon.co.jp/news/2006/1116_sportlite_03.htm, dated: Nov. 16, 2006, pp. 1-2.

Website, http://www.nikonvision.co.jp/products/binoculars/compact/lite_x23.htm, Nov. 16, 2006, pp. 1-2.

* cited by examiner

Primary Examiner — Paula Greene

(74) *Attorney, Agent, or Firm* — Wolf, Greenfield & Sacks, P.C.; Randy J. Pritzker

(57) **CLAIM**

The ornamental design for a pair of binoculars, as shown and described.

DESCRIPTION

FIG. 1 is a front, top and left side perspective view of a pair of binoculars showing my new design;

FIG. 2 is a rear, bottom and right side perspective view thereof;

FIG. 3 is a front view thereof;

FIG. 4 is a rear view thereof;

FIG. 5 is a top plan view thereof;

FIG. 6 is a bottom plan view thereof;

FIG. 7 is a right side view thereof; and,

FIG. 8 is a left side view thereof.

1 Claim, 8 Drawing Sheets

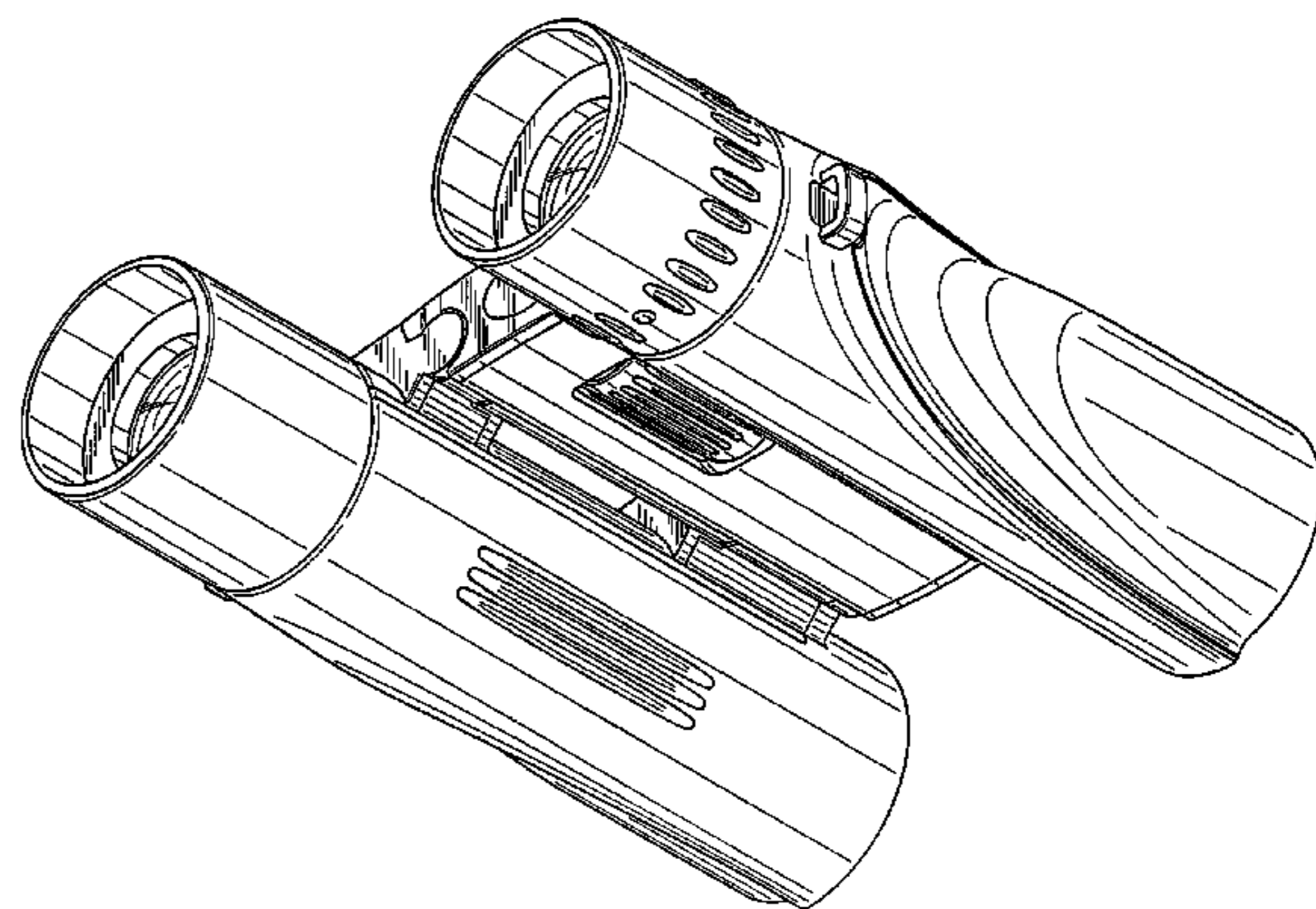
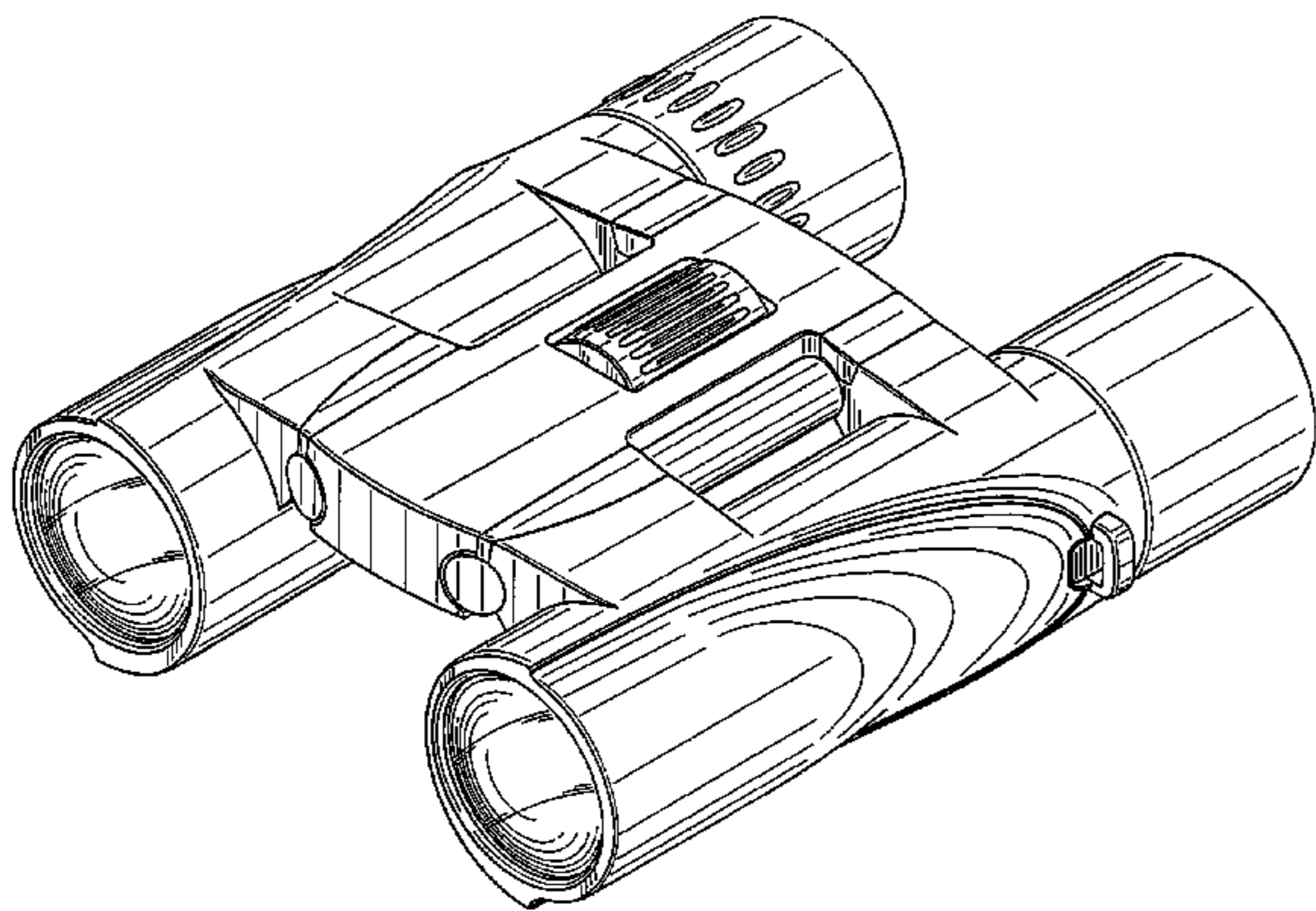


FIG. 1

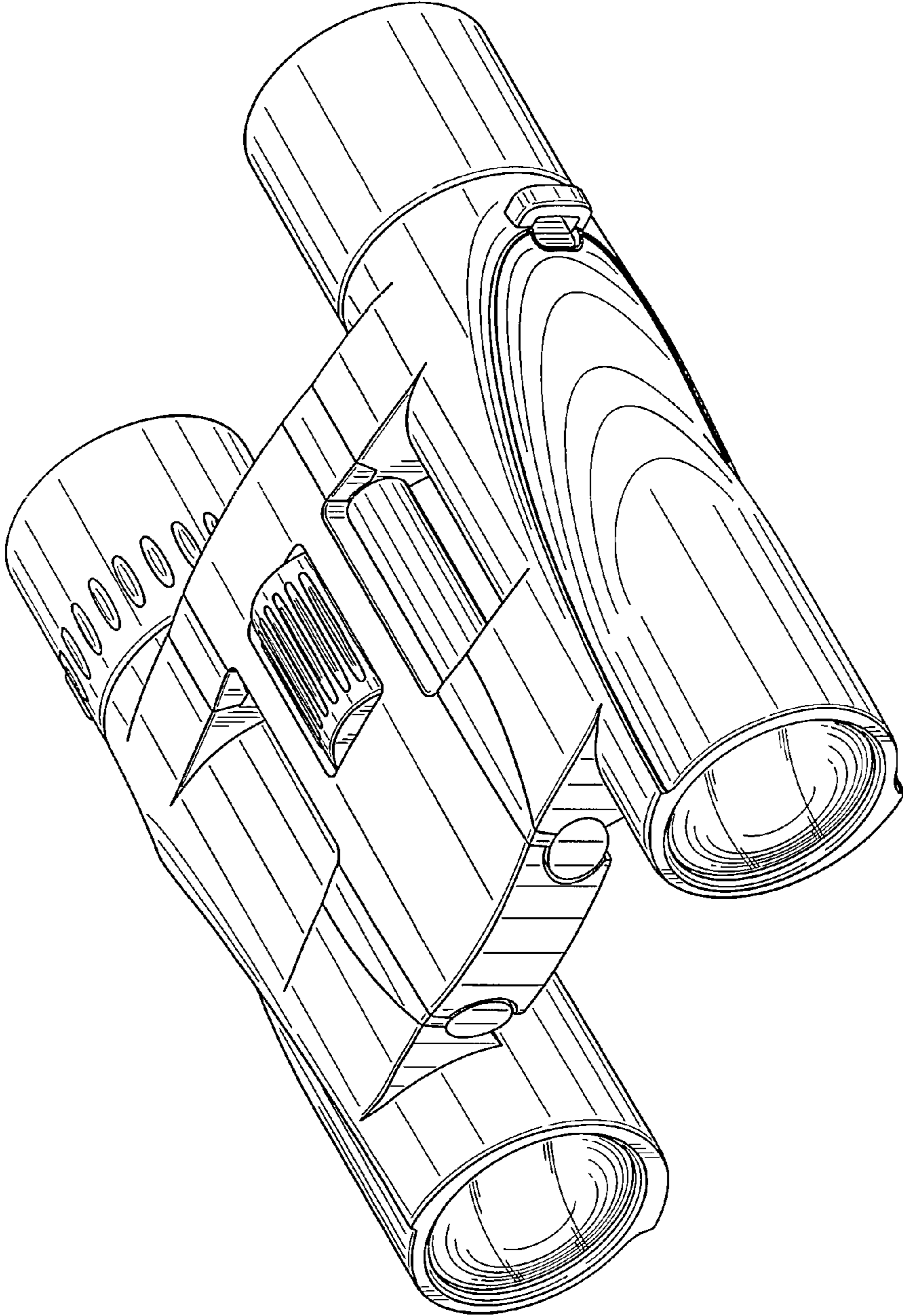


FIG. 2

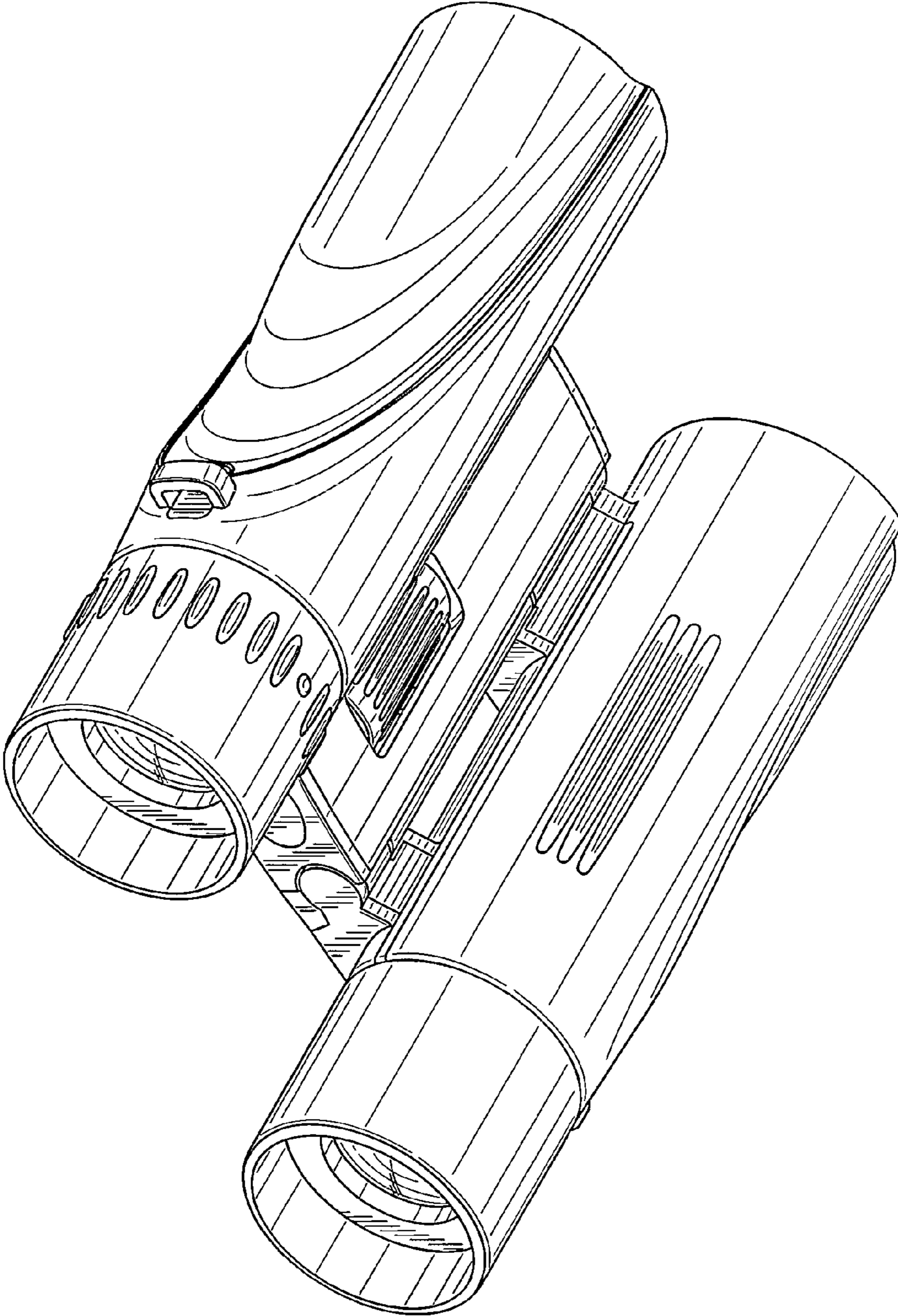


FIG. 3

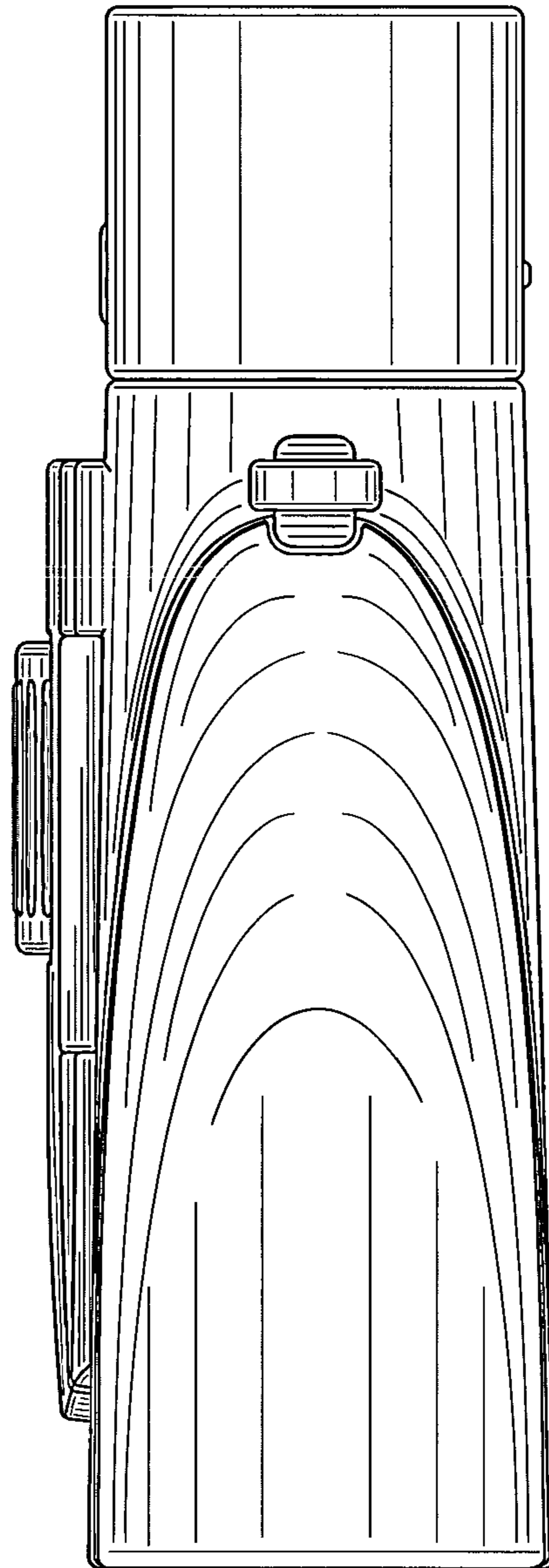


FIG. 4

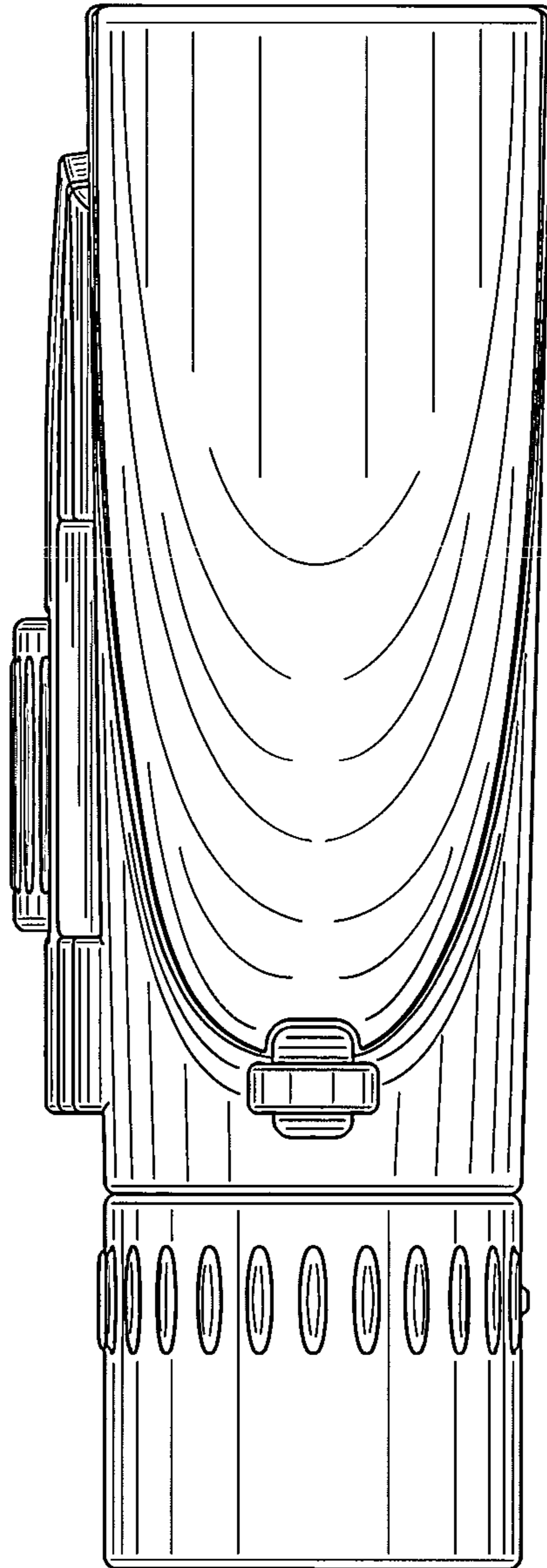


FIG. 5

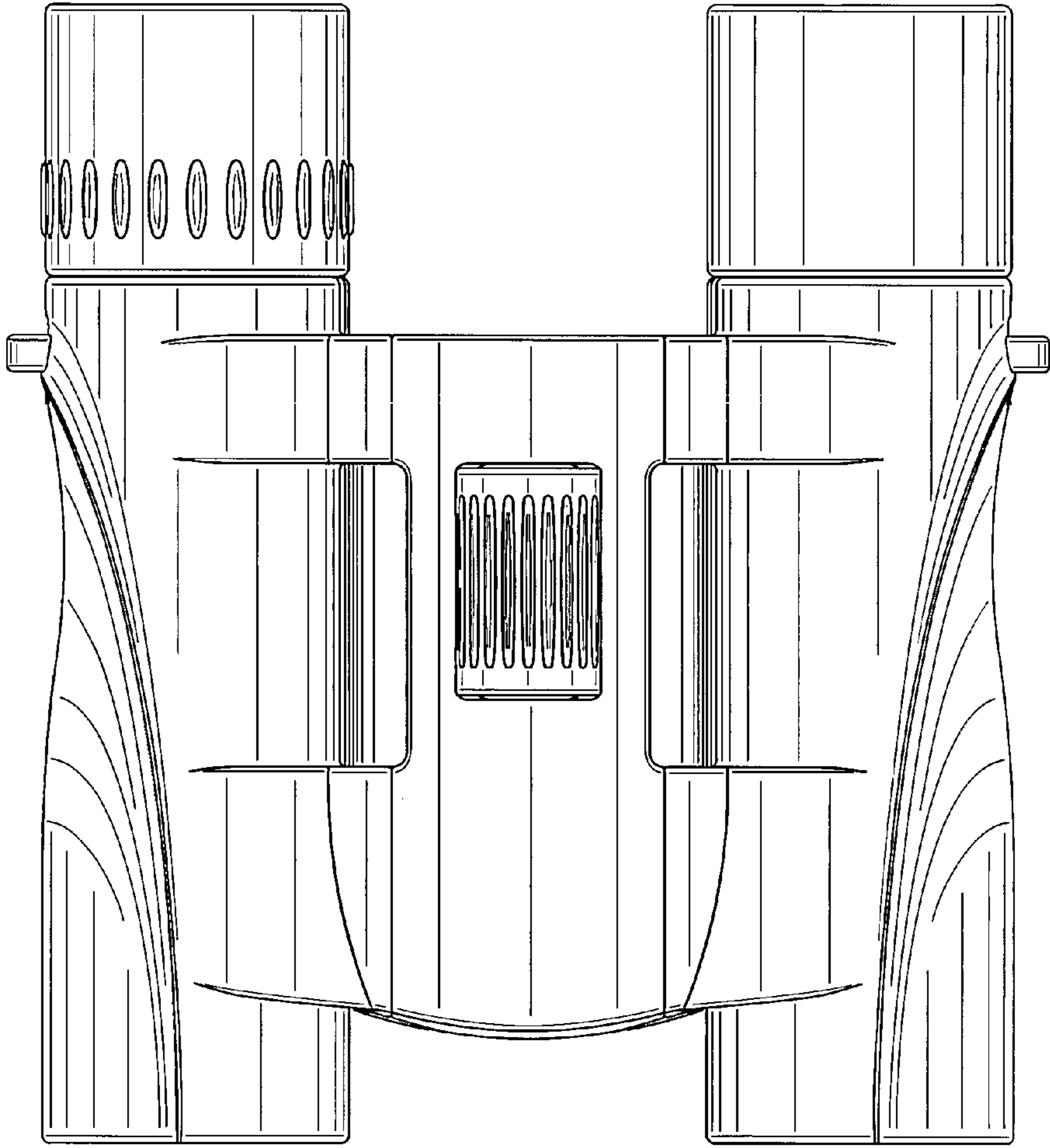


FIG. 6

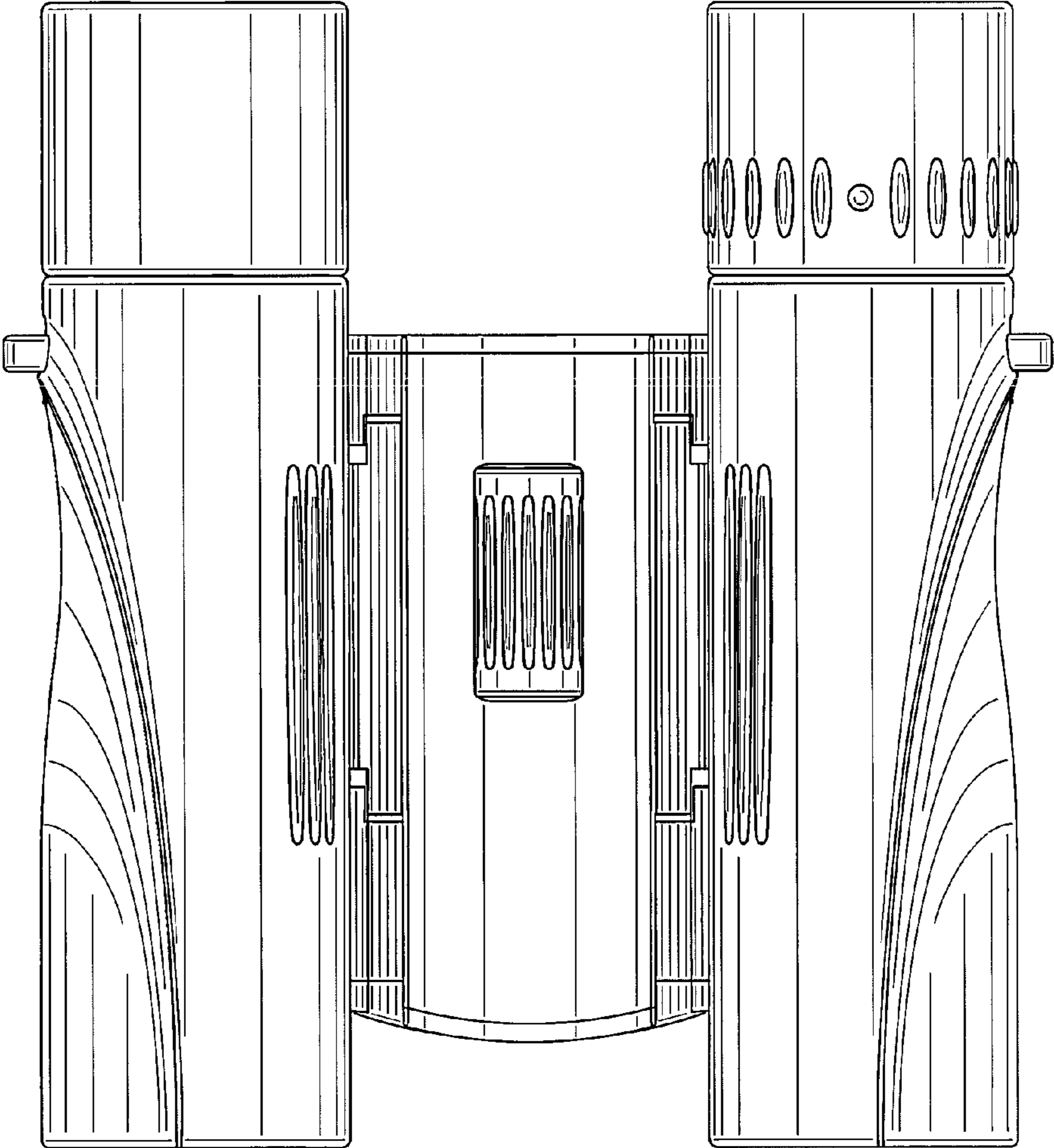


FIG. 7

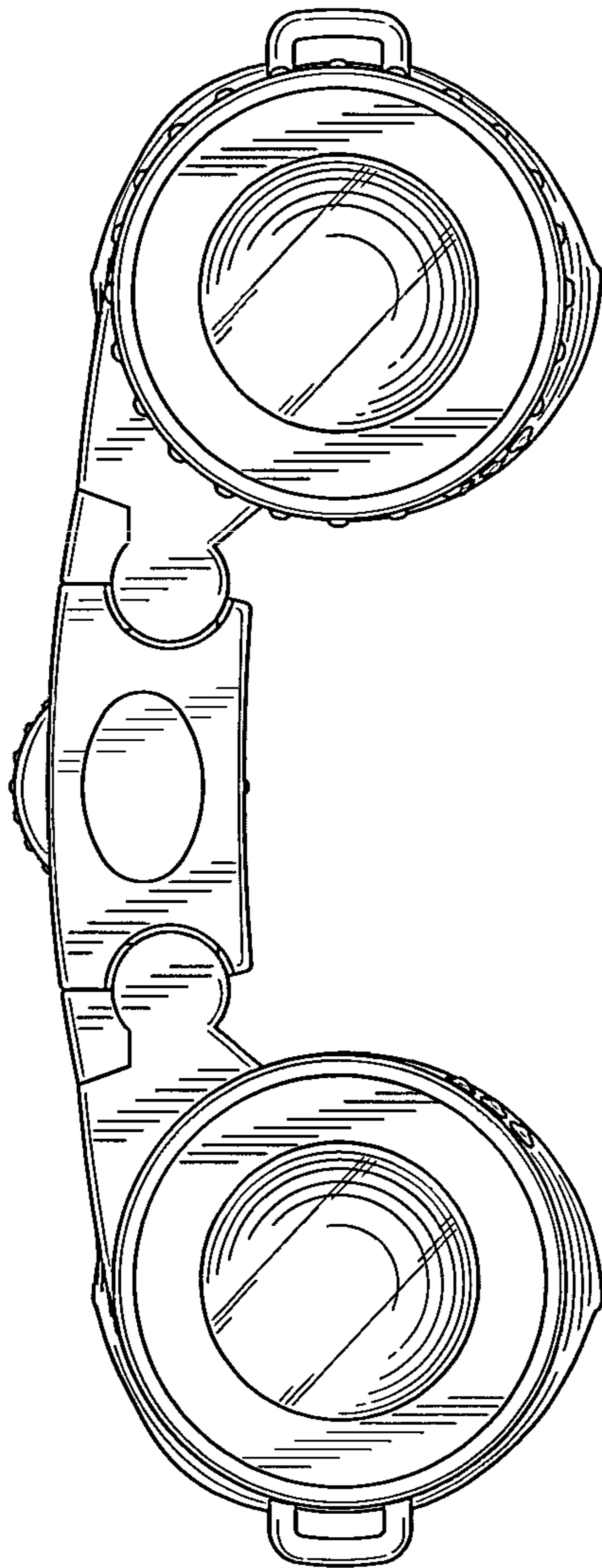


FIG. 8

