



US00D716858S

(12) **United States Design Patent**
Kobayashi

(10) **Patent No.:** **US D716,858 S**

(45) **Date of Patent:** **** Nov. 4, 2014**

(54) **LASER RANGE FINDER**

(71) Applicant: **Nikon Vision Co., Ltd.**, Tokyo (JP)

(72) Inventor: **Yuki Kobayashi**, Tokyo (JP)

(73) Assignee: **Nikon Vision Co., Ltd.**, Tokyo (JP)

(**) Term: **14 Years**

(21) Appl. No.: **29/464,052**

(22) Filed: **Aug. 12, 2013**

(30) **Foreign Application Priority Data**

Feb. 28, 2013 (JP) 2013-004218

(51) **LOC (10) Cl.** **16-06**

(52) **U.S. Cl.**
USPC **D16/132**

(58) **Field of Classification Search**
CPC G02B 23/00
USPC D16/132, 130, 200, 202, 203, 219, 230;
359/399, 411, 409, 418, 819; 348/373,
348/375; 396/535-541; 250/214 VT;
33/290, 291, 292, 285
See application file for complete search history.

(56) **References Cited**

U.S. PATENT DOCUMENTS

3,737,667 A * 6/1973 Babb et al. 250/214 LA
D288,027 S * 2/1987 Tonkel D2/957
D300,038 S * 2/1989 Huckenbeck D16/132
D322,084 S * 12/1991 Tabuchi D16/203
D369,613 S * 5/1996 Palmer D16/132
D380,222 S * 6/1997 Bryant D16/132
5,867,313 A * 2/1999 Schweitzer et al. 359/418
5,943,174 A * 8/1999 Bryant et al. 359/809
6,008,497 A * 12/1999 Mizoguchi et al. 250/492.1
D418,853 S * 1/2000 Kubota D16/203
D424,081 S * 5/2000 Gordon D16/130

6,288,386 B1 * 9/2001 Bowen et al. 250/214 VT
D539,317 S * 3/2007 Tonhofer D16/132
D561,800 S * 2/2008 Sadatsuki D16/202
D611,979 S * 3/2010 Frank et al. D16/202
D646,311 S * 10/2011 Hoelbl D16/133
D651,628 S * 1/2012 Wang D16/132
D683,374 S * 5/2013 Yokoi D16/132
D683,376 S * 5/2013 Yokoi D16/132
D683,377 S * 5/2013 Yokoi D16/132
8,448,372 B2 * 5/2013 Peters et al. 42/111

FOREIGN PATENT DOCUMENTS

JP D1457756 S 12/2012

OTHER PUBLICATIONS

Website, http://www.nikon.co.jp/news/2006/0221_laser1200_09.htm, Title: Release of Nikon Portable Laser Range finder [Laser 1200s], release date—Feb. 21, 2006, pp. 1-3.

* cited by examiner

Primary Examiner — Paula Greene

(74) *Attorney, Agent, or Firm* — Wolf, Greenfield & Sacks, P.C.; Randy J. Pritzker

(57) **CLAIM**

The ornamental design for a laser range finder, as shown and described.

DESCRIPTION

FIG. 1 is a front perspective view of a laser range finder showing my new design;
FIG. 2 is a rear perspective view thereof;
FIG. 3 is a front view thereof;
FIG. 4 is a rear view thereof;
FIG. 5 is a top plan view thereof;
FIG. 6 is a bottom plan view thereof;
FIG. 7 is a right side view thereof; and,
FIG. 8 is a left side view thereof.

1 Claim, 8 Drawing Sheets

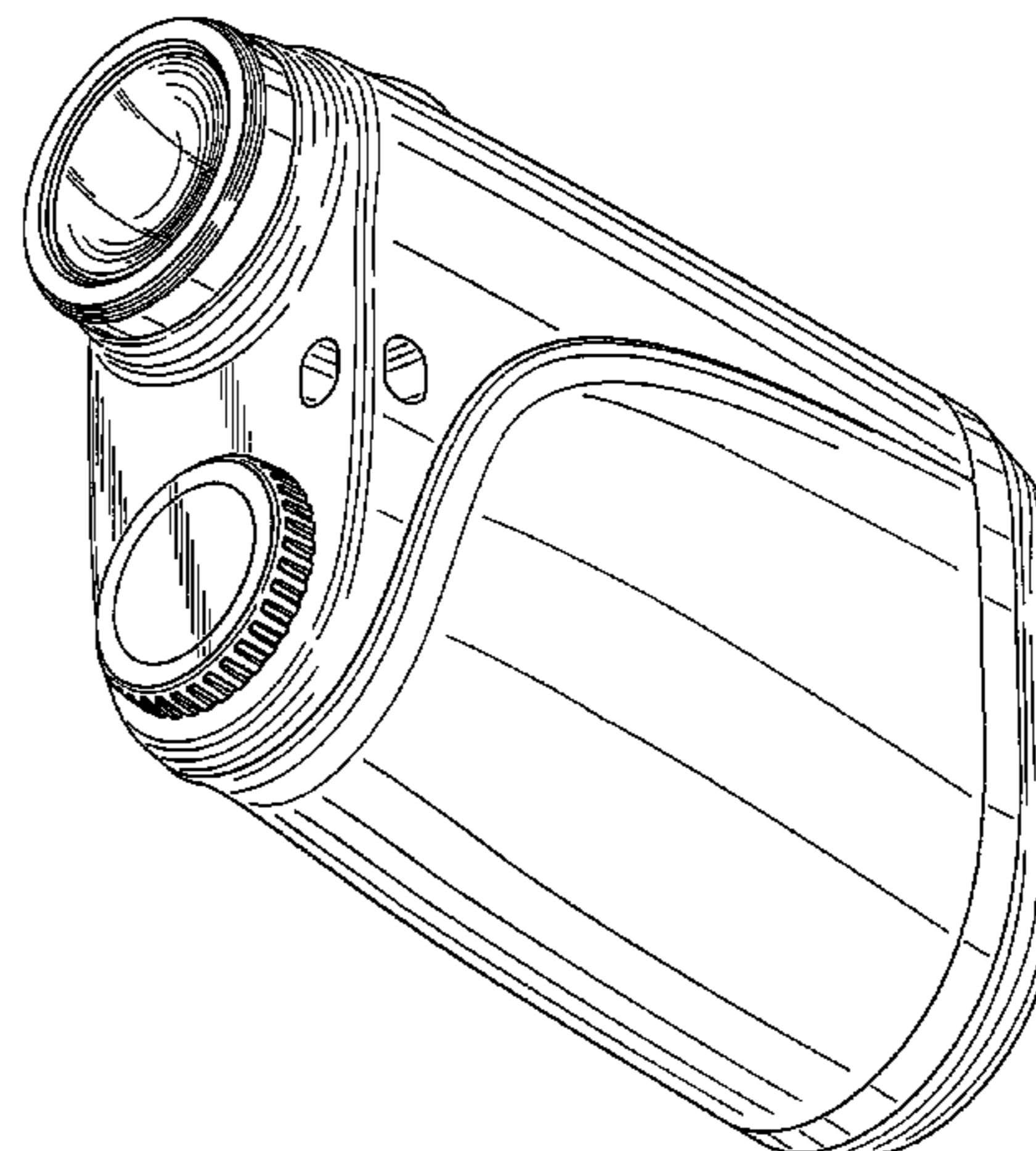
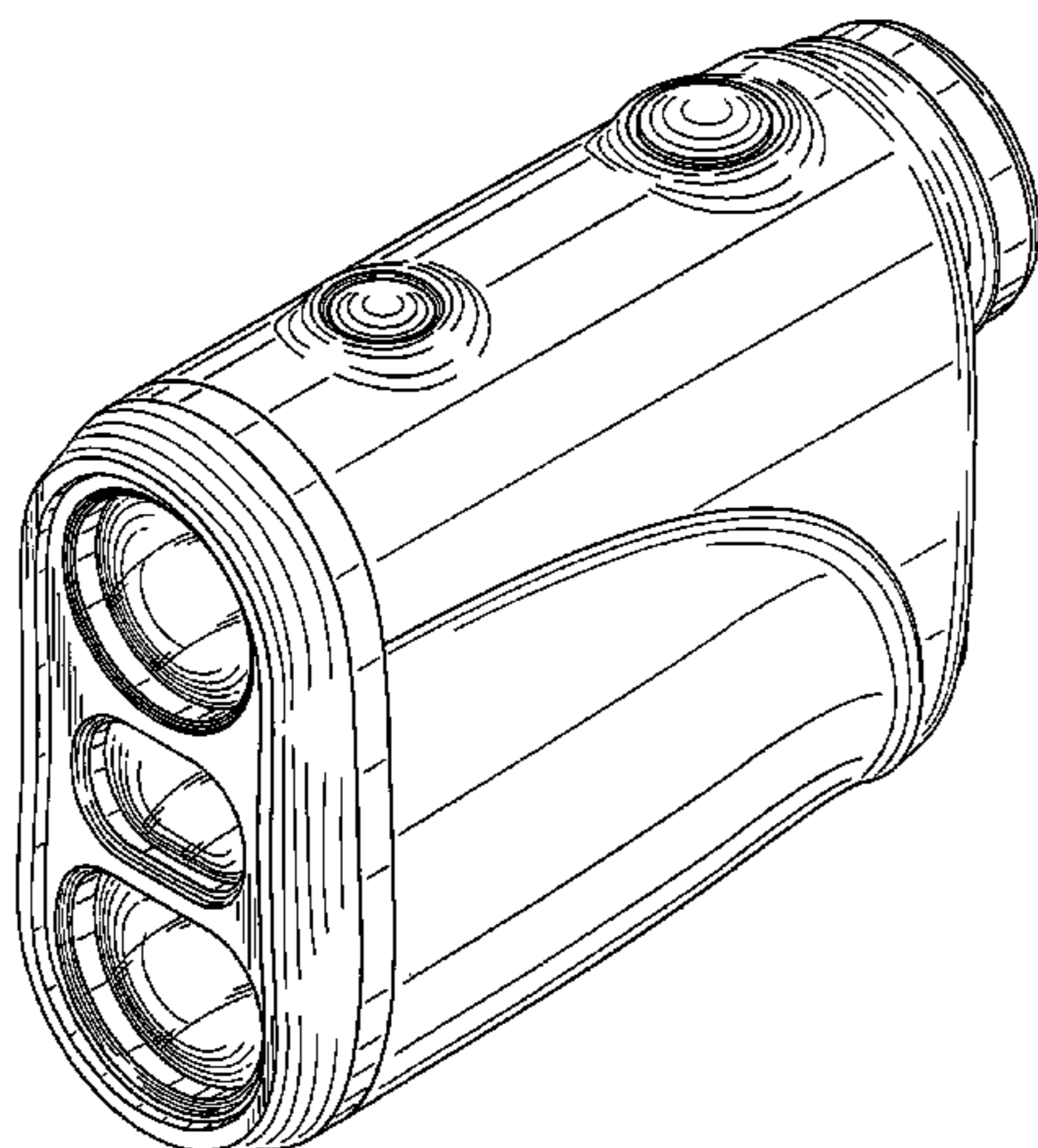


FIG. 1

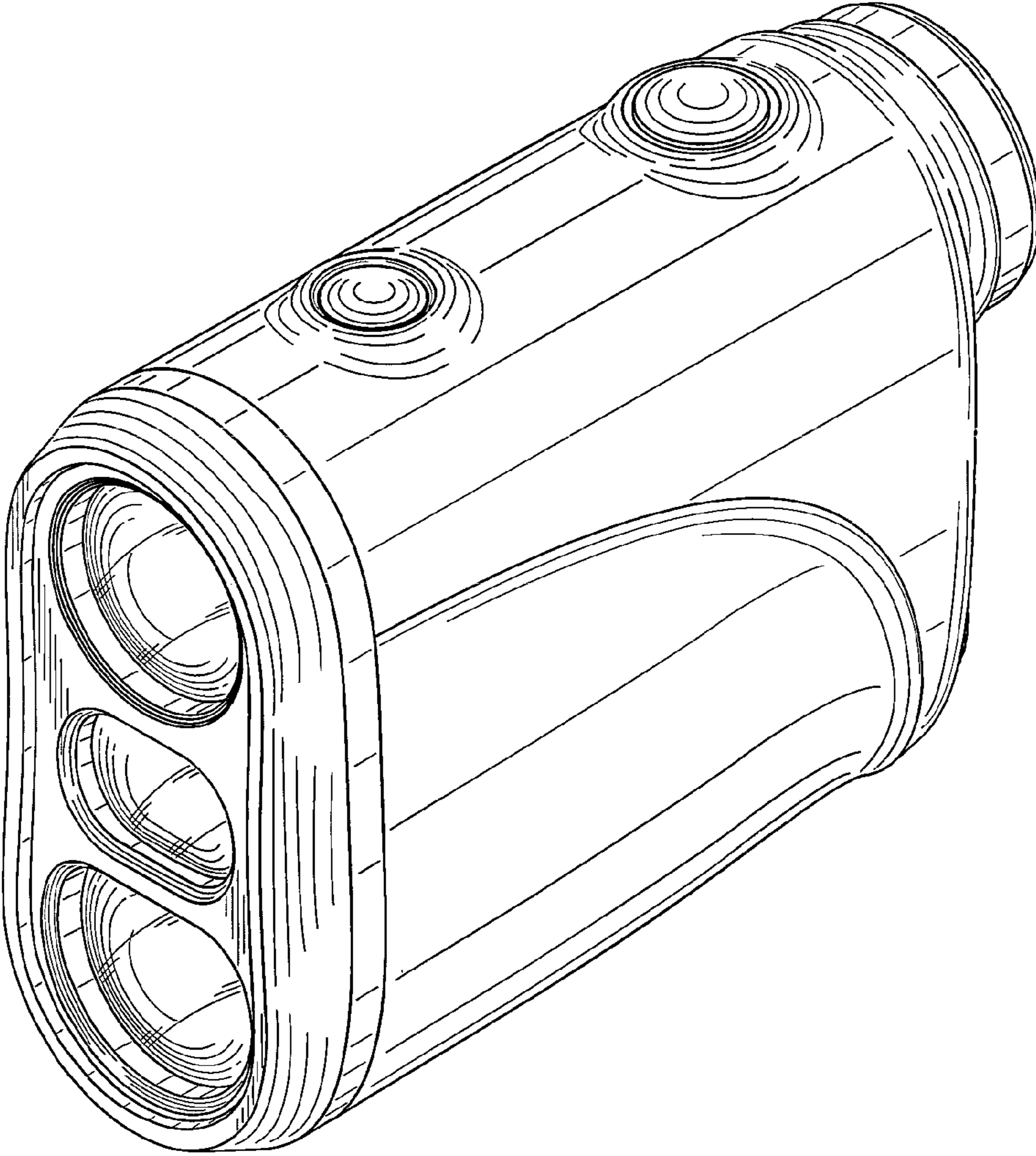


FIG. 2

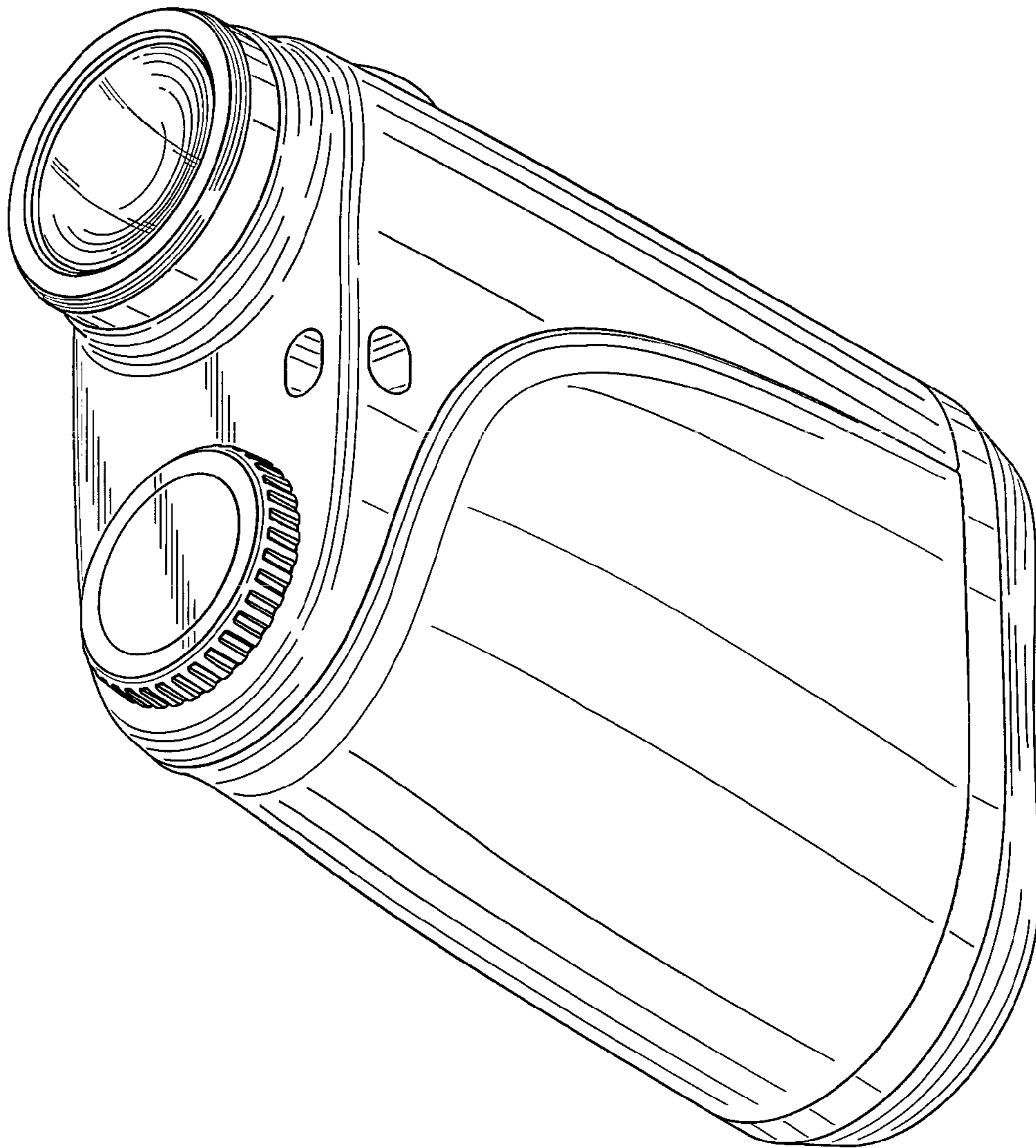


FIG. 3

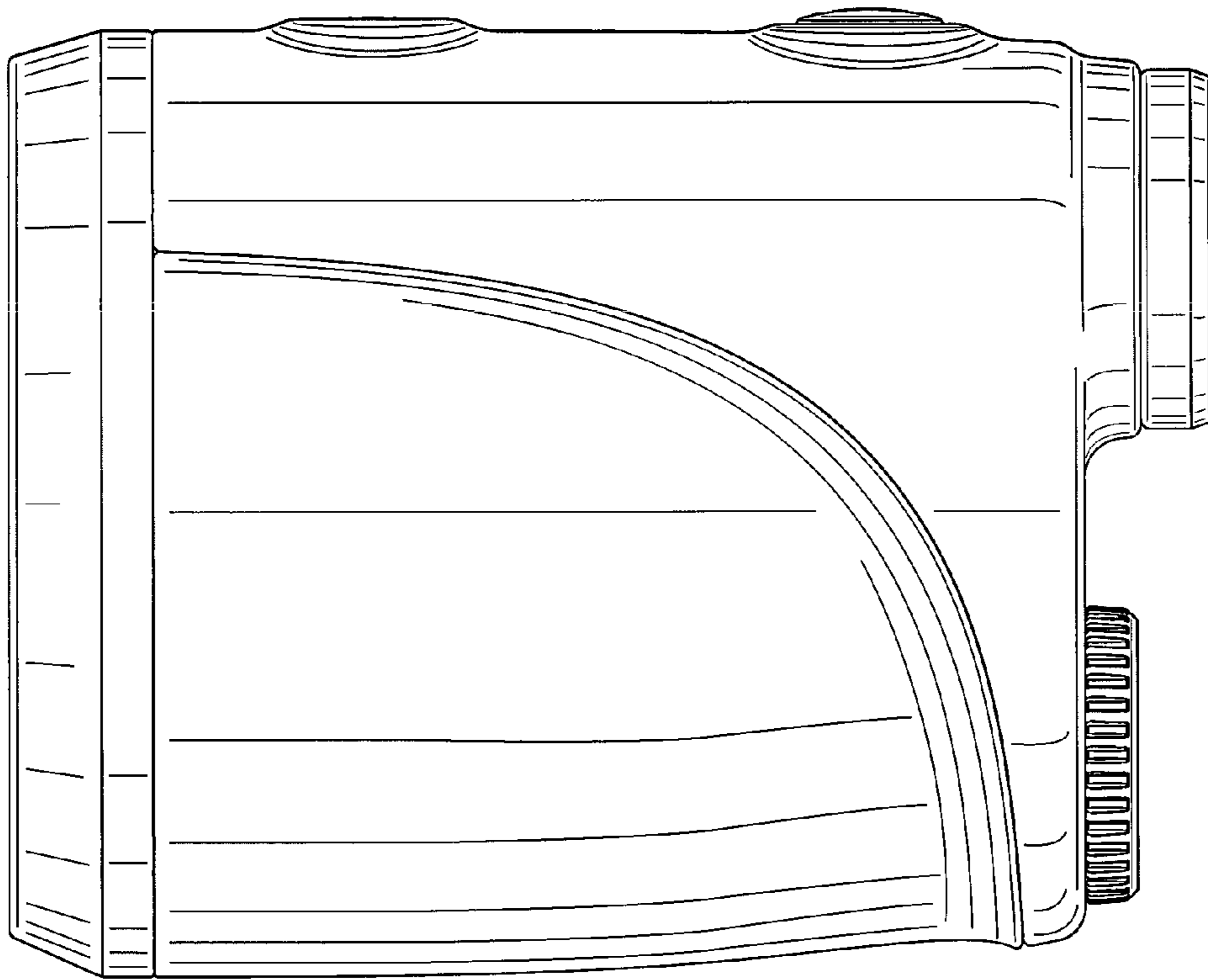


FIG. 4

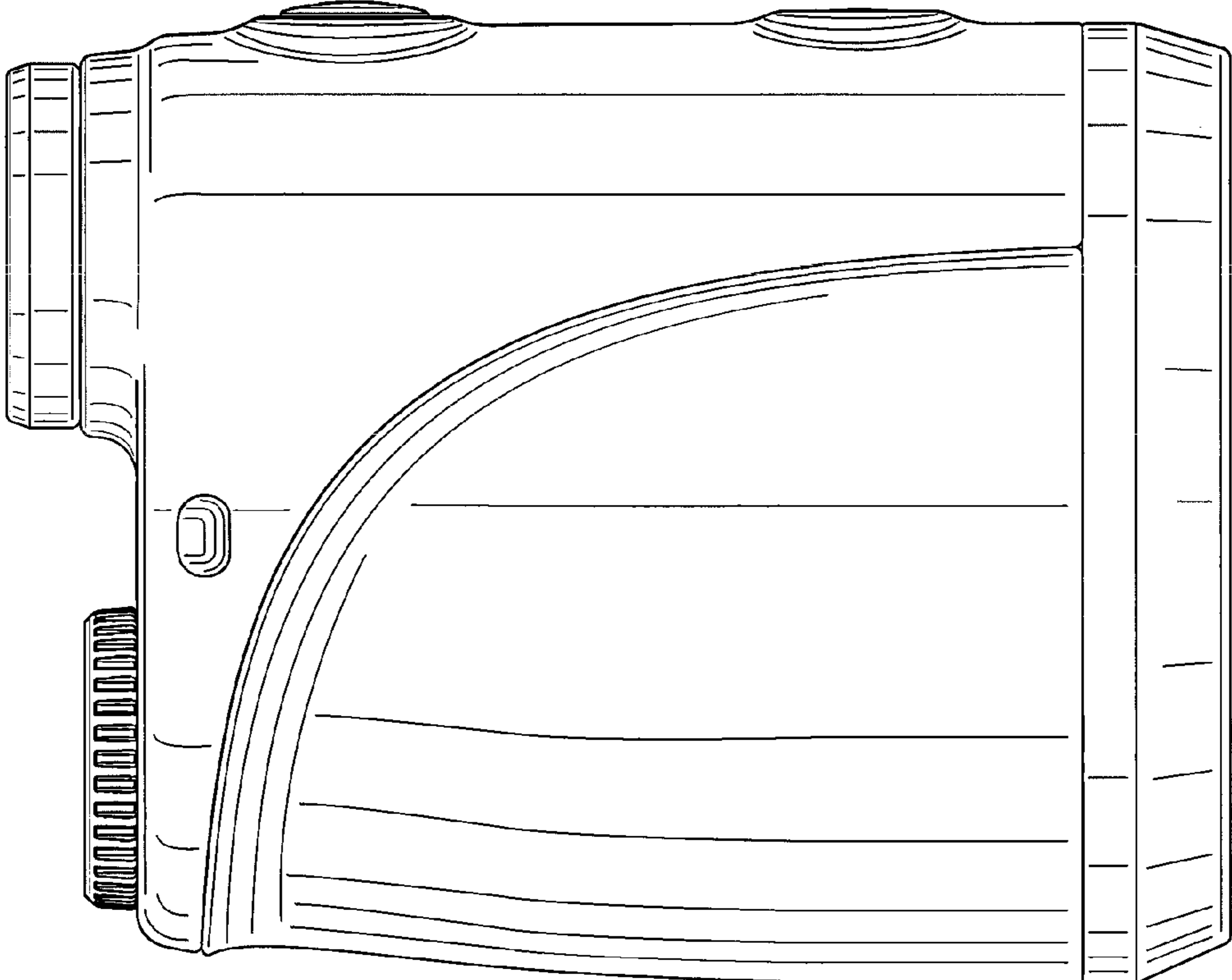


FIG. 5

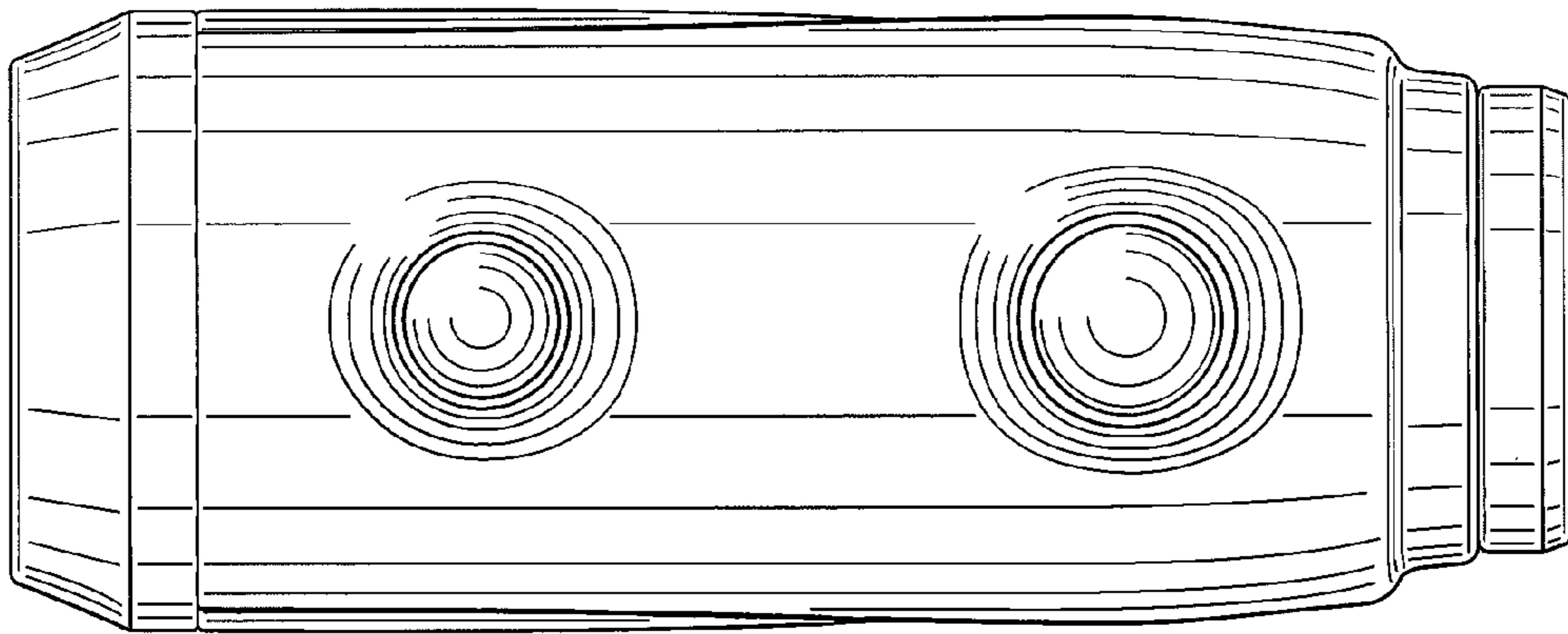


FIG. 6

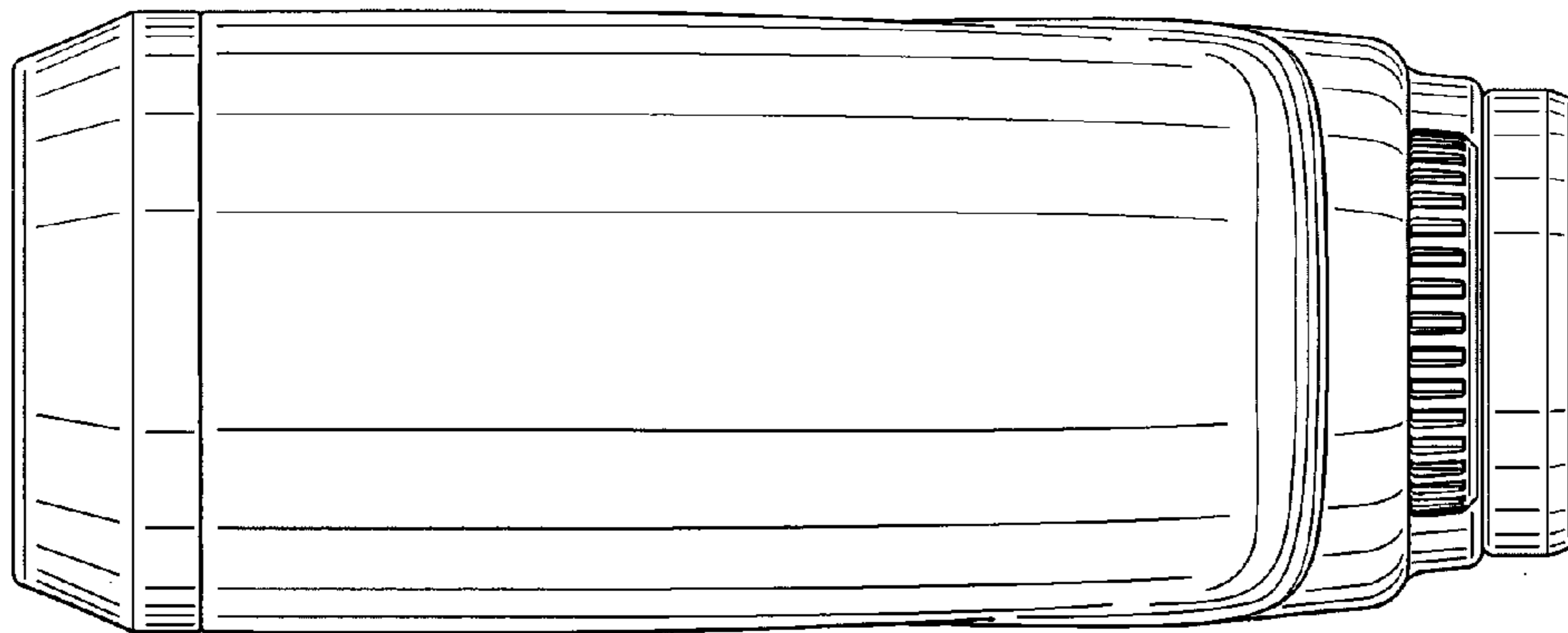


FIG. 7

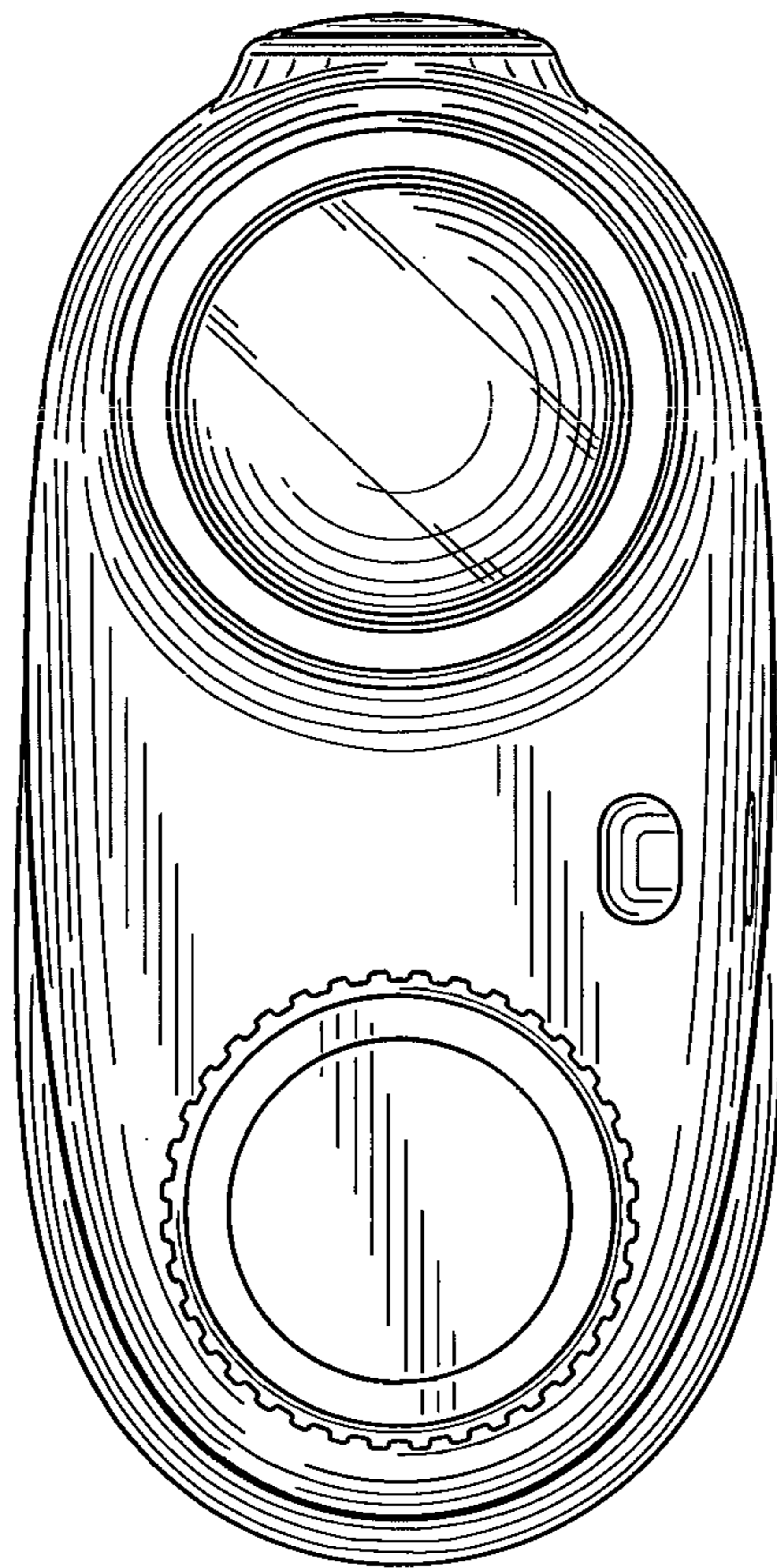


FIG. 8

