



US00D716855S

(12) **United States Design Patent**
Barth

(10) **Patent No.:** **US D716,855 S**

(45) **Date of Patent:** **** Nov. 4, 2014**

(54) **GRINDER ATTACHMENT**

(75) Inventor: **Daniel Barth**, Leinfelden-Echterdingen (DE)

(73) Assignee: **Robert Bosch GmbH**, Stuttgart (DE)

(**) Term: **14 Years**

(21) Appl. No.: **29/418,079**

(22) Filed: **Apr. 12, 2012**

(30) **Foreign Application Priority Data**

Oct. 17, 2011 (EM) 001932948

(51) **LOC (10) Cl.** **15-09**

(52) **U.S. Cl.**
USPC **D15/126**

(58) **Field of Classification Search**
USPC D8/62; D15/28, 124, 125, 126, 127,
D15/130, 131, 138
See application file for complete search history.

(56) **References Cited**

U.S. PATENT DOCUMENTS

D153,751 S *	5/1949	Apple	D15/125
D180,549 S *	7/1957	Ernest	D15/125
D292,407 S *	10/1987	Legler et al.	D15/133
D355,426 S *	2/1995	Chen	D15/125
D530,728 S *	10/2006	Liao	D15/124
D611,966 S *	3/2010	Pfaff	D15/127

D627,803 S *	11/2010	Jebb	D15/125
2005/0287934 A1 *	12/2005	Jansson	451/45
2008/0274678 A1 *	11/2008	Jansson	451/266

* cited by examiner

Primary Examiner — Patricia Palasik

(74) *Attorney, Agent, or Firm* — Maginot, Moore & Beck

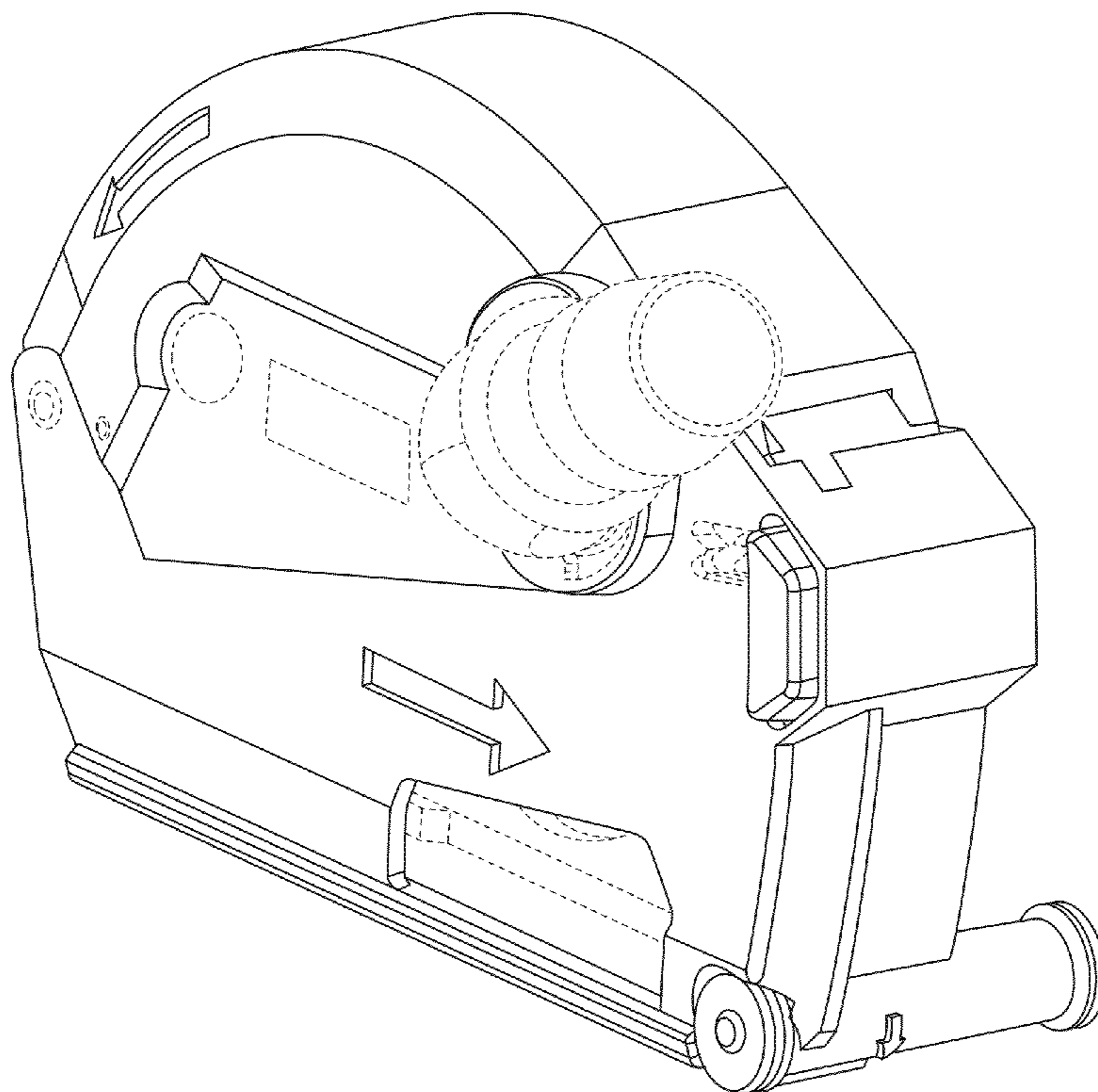
(57) **CLAIM**

The ornamental design for a grinder attachment, as shown and described.

DESCRIPTION

FIG. 1 is a perspective view of a grinder attachment showing my new design;
 FIG. 2 is left side elevational view showing the design for the grinder attachment of FIG. 1;
 FIG. 3 is a right side elevational view showing the design for the grinder attachment of FIG. 1;
 FIG. 4 is a front elevational view showing the design for the grinder attachment of FIG. 1;
 FIG. 5 is a rear elevational view showing the design for the grinder attachment of FIG. 1;
 FIG. 6 is a top elevational view showing the design for the grinder attachment of FIG. 1; and,
 FIG. 7 is a bottom elevational view showing the design for the grinder attachment of FIG. 1.
 The broken lines in the drawings depict unclaimed environmental subject matter.

1 Claim, 7 Drawing Sheets



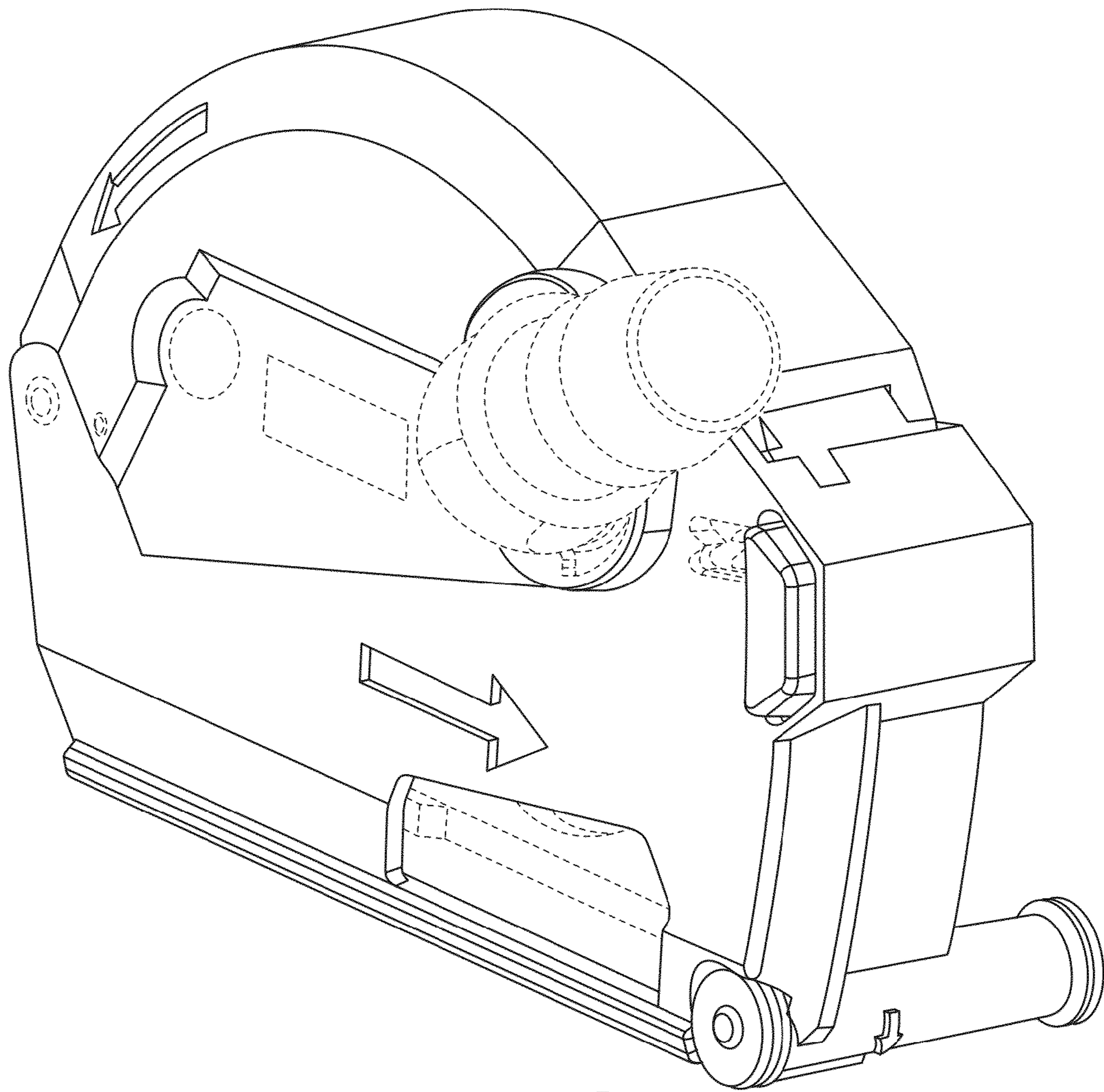


FIG. 1

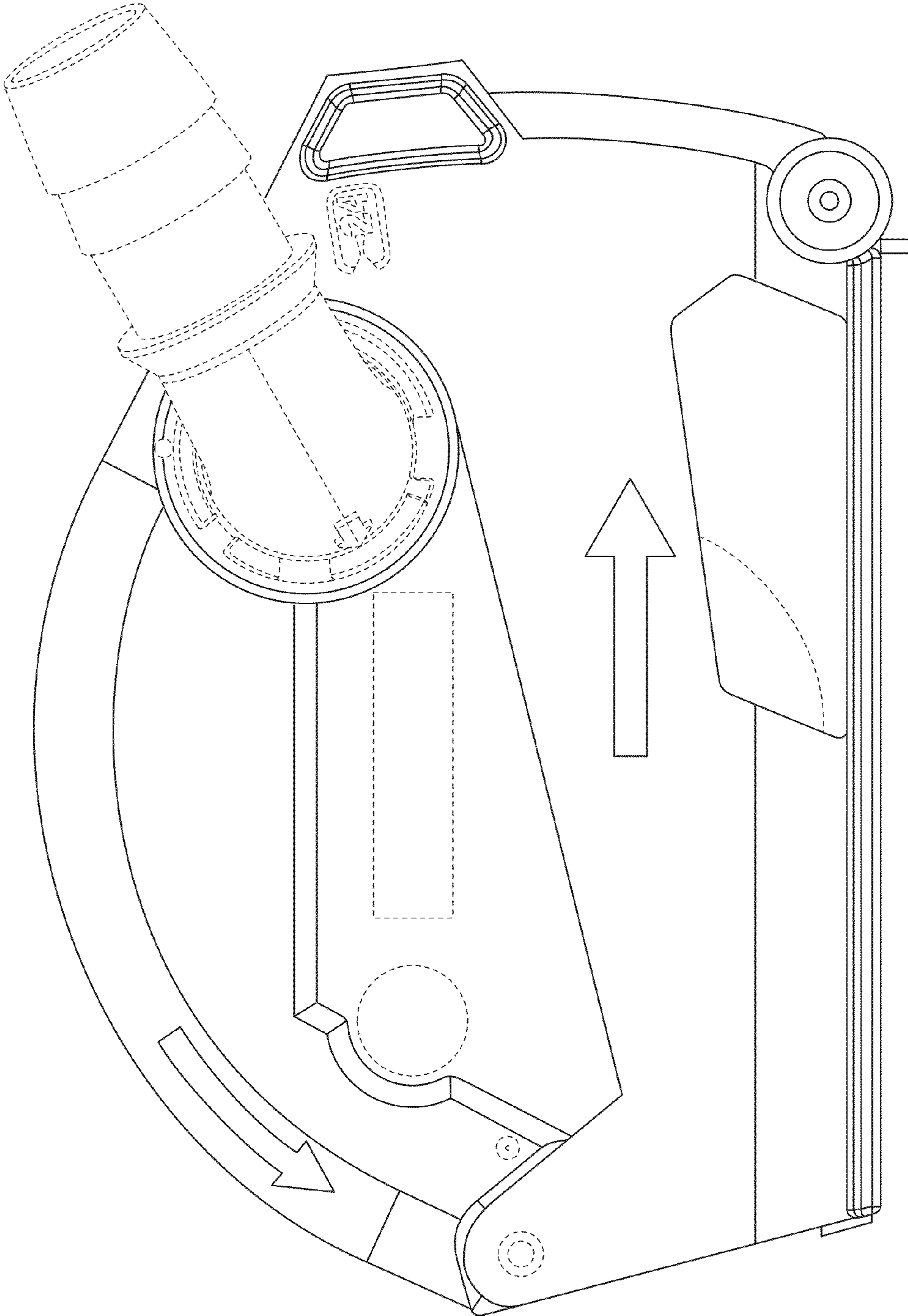


FIG. 2

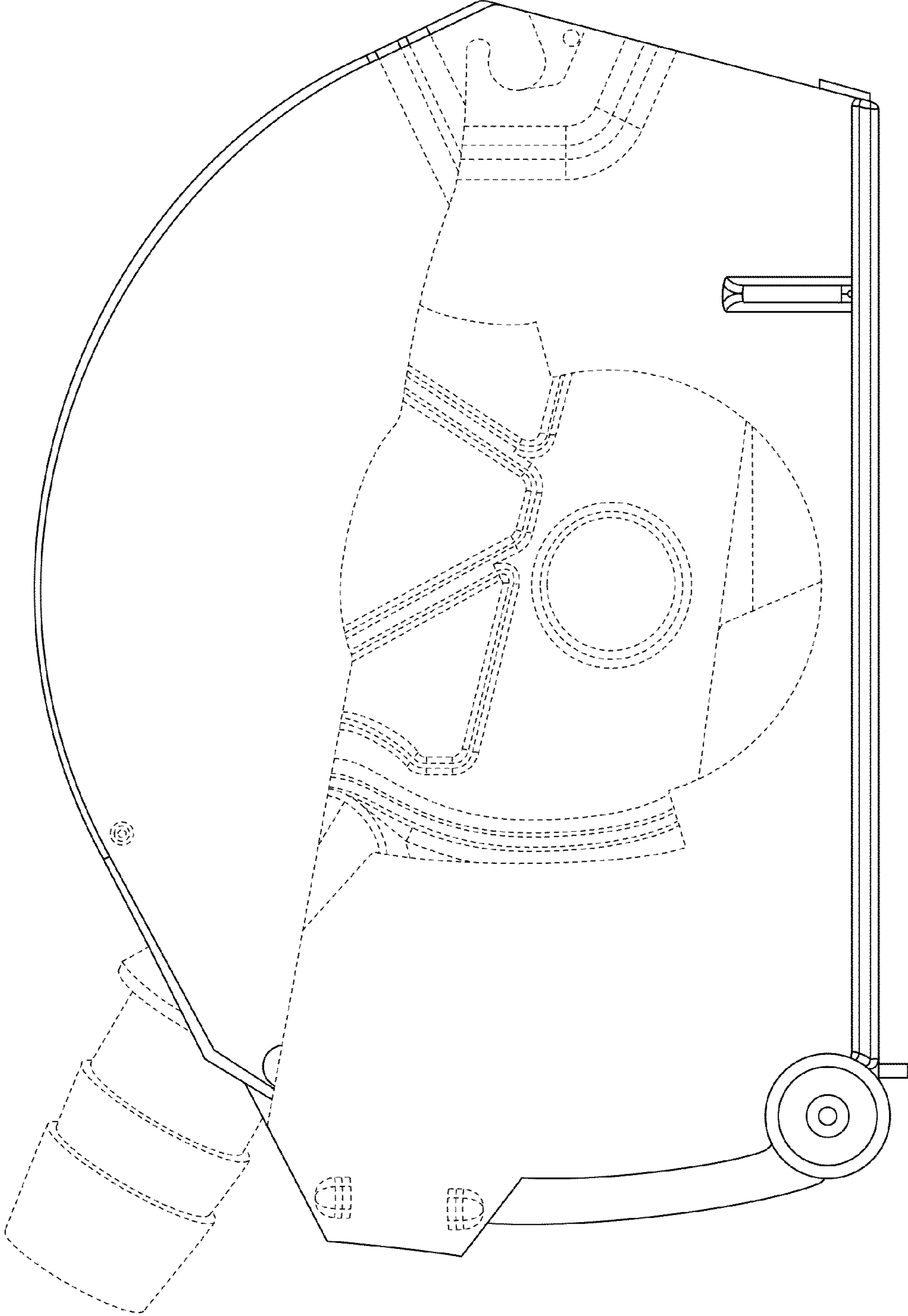


FIG. 3

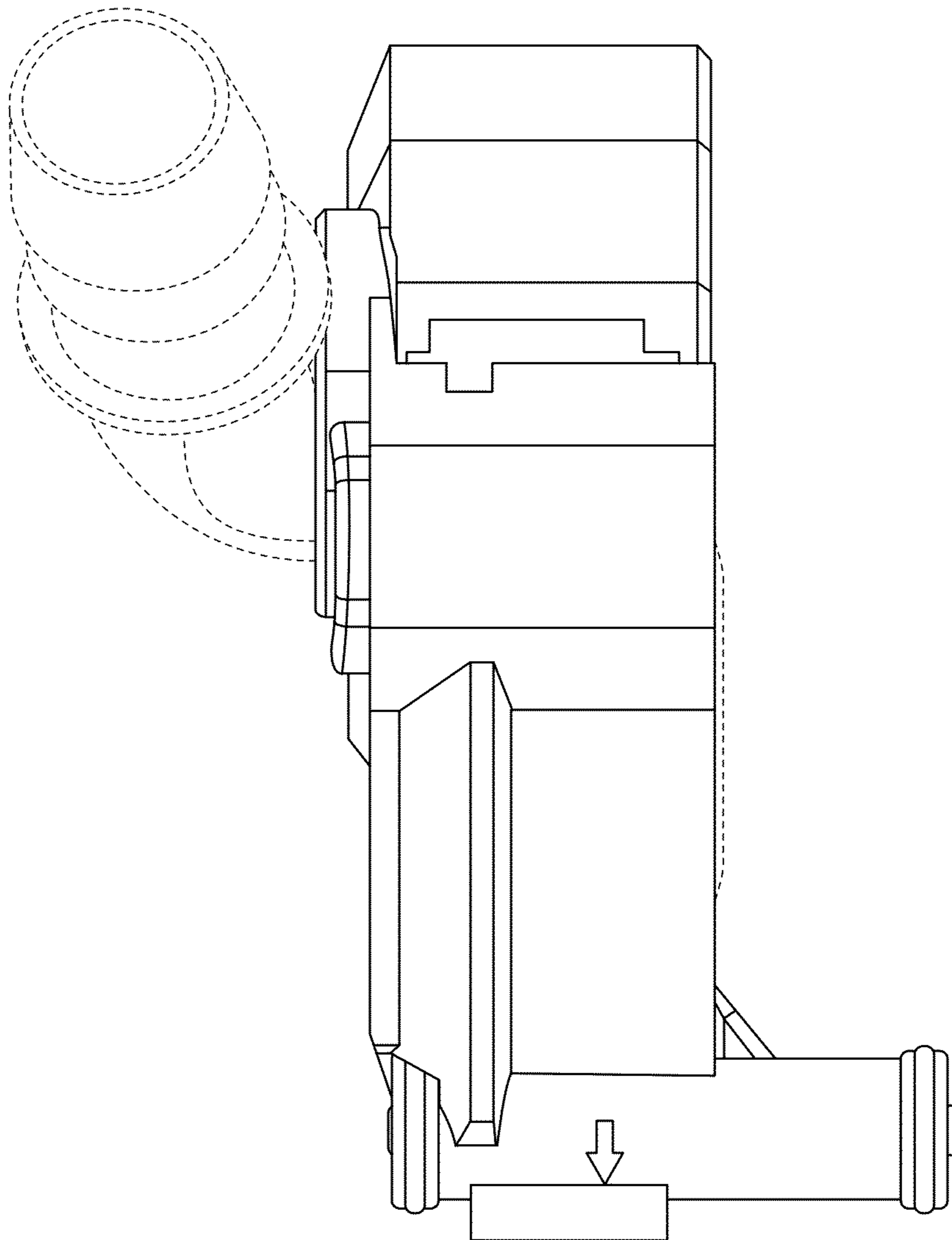


FIG. 4

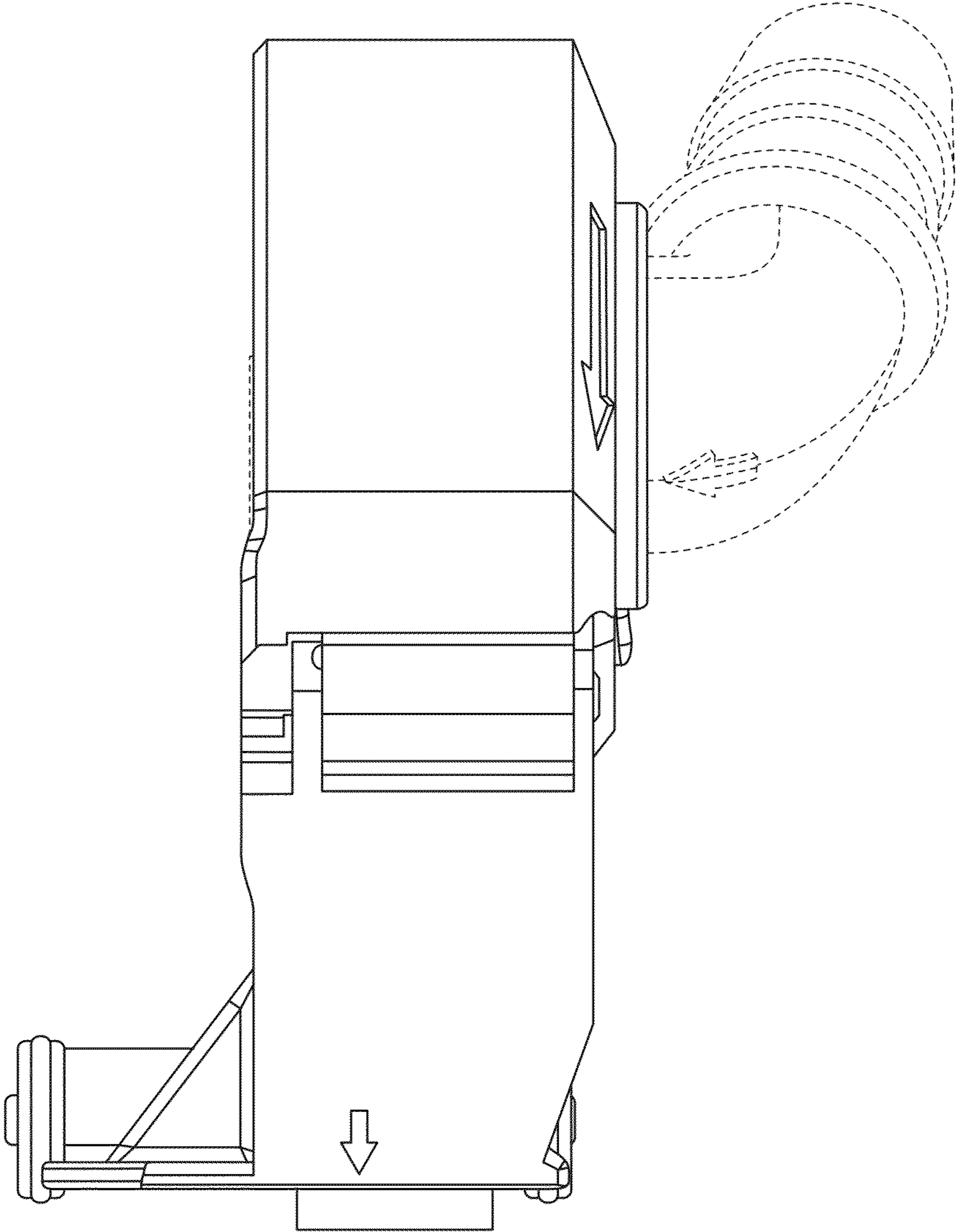


FIG. 5

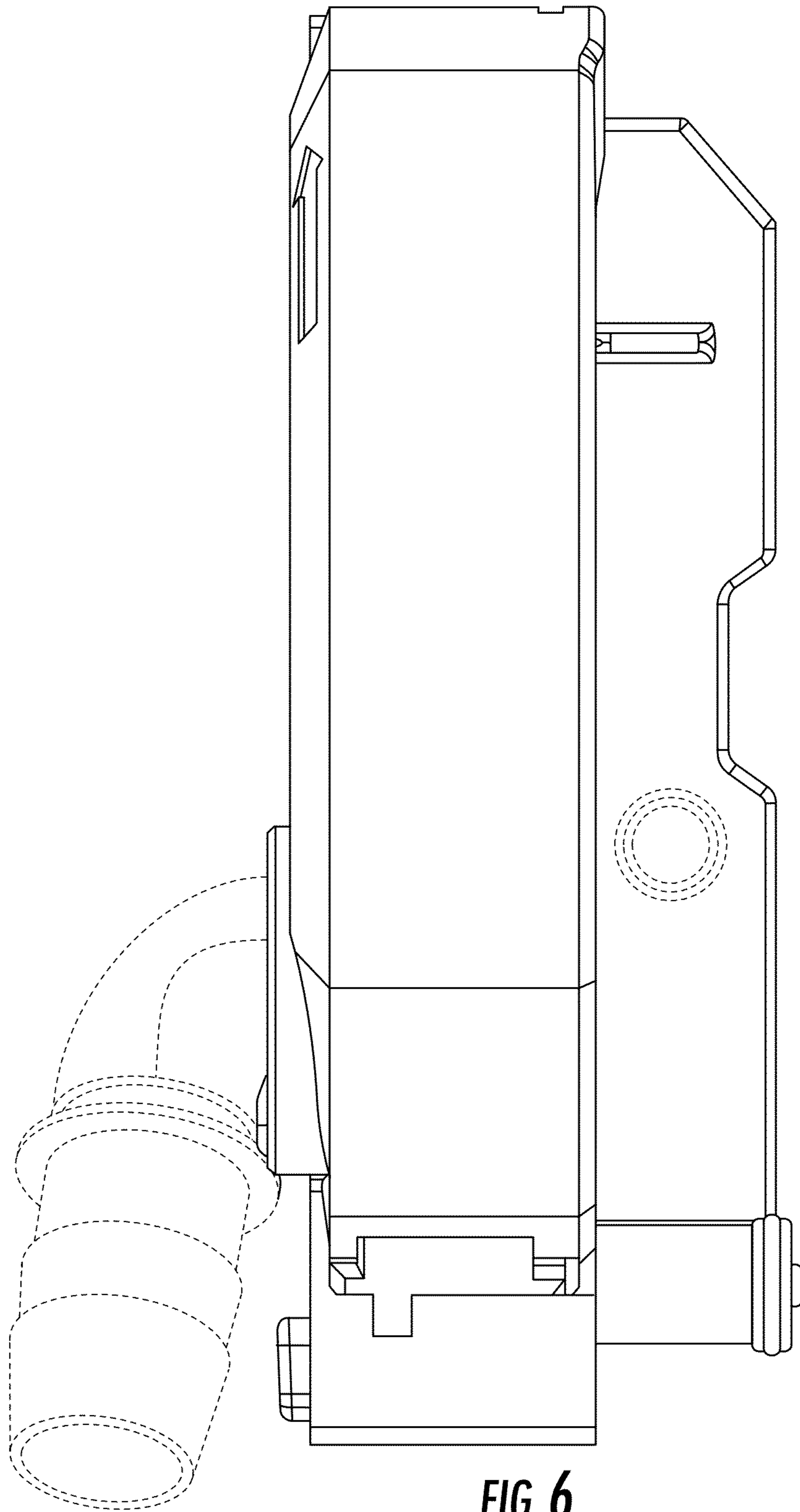


FIG. 6

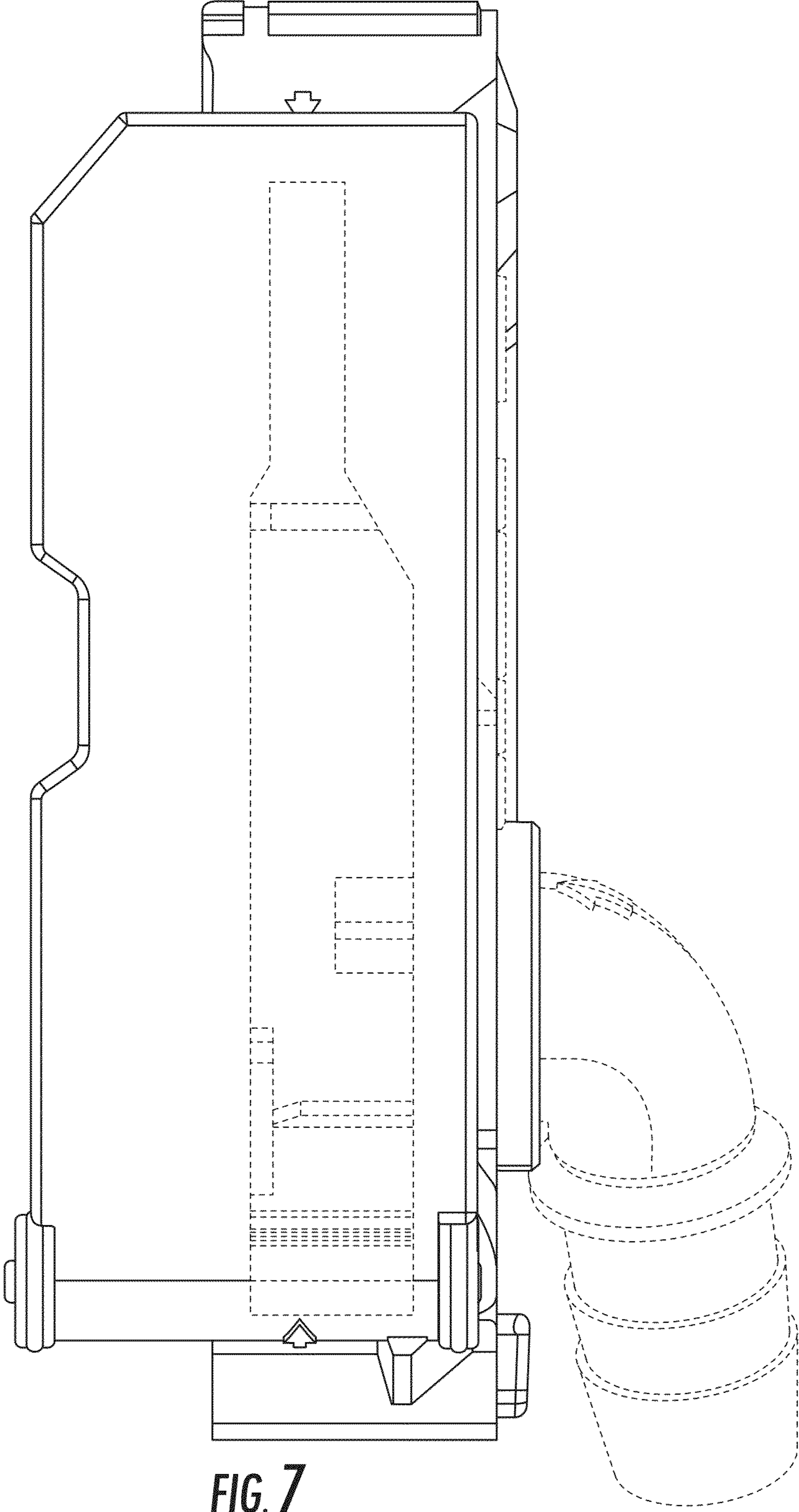


FIG. 7