

US00D716854S

(12) **United States Design Patent**  
**Bergman et al.**

(10) **Patent No.:** **US D716,854 S**

(45) **Date of Patent:** **\*\* Nov. 4, 2014**

(54) **CRUSHER**

(71) Applicant: **Sandvik Intellectual Property AB,**  
Sandviken (SE)

(72) Inventors: **Axel Bergman,** Malmö (SE);  
**Bengt-Arne Eriksson,** Svedala (SE);  
**Mikael Larsson,** Eslov (SE); **Patric**  
**Malmqvist,** Svedala (SE)

(73) Assignee: **Sandvik Mining and Construction Oy,**  
Tampere (FI)

(\*\*) Term: **14 Years**

(21) Appl. No.: **29/466,291**

(22) Filed: **Sep. 6, 2013**

(30) **Foreign Application Priority Data**

Mar. 8, 2013 (EM) ..... 001363527-0001  
Mar. 8, 2013 (EM) ..... 001363527-0002

(51) **LOC (10) Cl.** ..... **15-09**

(52) **U.S. Cl.**  
USPC ..... **D15/123**

(58) **Field of Classification Search**  
USPC ..... D15/122, 123; 72/448, 455, 465;  
100/207, 208, 214, 268, 282, 292;  
241/31, 58, 159, 179, 186, 236, 285;  
435/86, 135, 347, 348.5, 349, 350,  
435/353, 355, 358, 360  
See application file for complete search history.

(56) **References Cited**

**U.S. PATENT DOCUMENTS**

4,347,988 A \* 9/1982 Warren et al. .... 241/300  
4,355,769 A \* 10/1982 Warren et al. .... 241/300  
4,406,417 A \* 9/1983 Jardine et al. .... 241/284

D276,583 S \* 12/1984 Jaccard ..... D7/682  
D276,685 S \* 12/1984 Jaccard ..... D7/682  
D362,450 S \* 9/1995 Bajadali ..... D15/123  
5,954,282 A \* 9/1999 Britzke et al. .... 241/275  
D429,741 S \* 8/2000 Warren ..... D15/123  
D457,537 S \* 5/2002 Bond ..... D15/123  
D491,587 S \* 6/2004 Clark ..... D15/139  
D574,400 S \* 8/2008 Willibald ..... D15/123  
D701,094 S \* 3/2014 Bradford ..... D7/682  
2005/0067517 A1 \* 3/2005 Rose ..... 241/275  
2013/0037642 A1 \* 2/2013 Doppstadt et al. .... 241/294

\* cited by examiner

*Primary Examiner* — Patricia Palasik

(74) *Attorney, Agent, or Firm* — Corinne R. Gorski

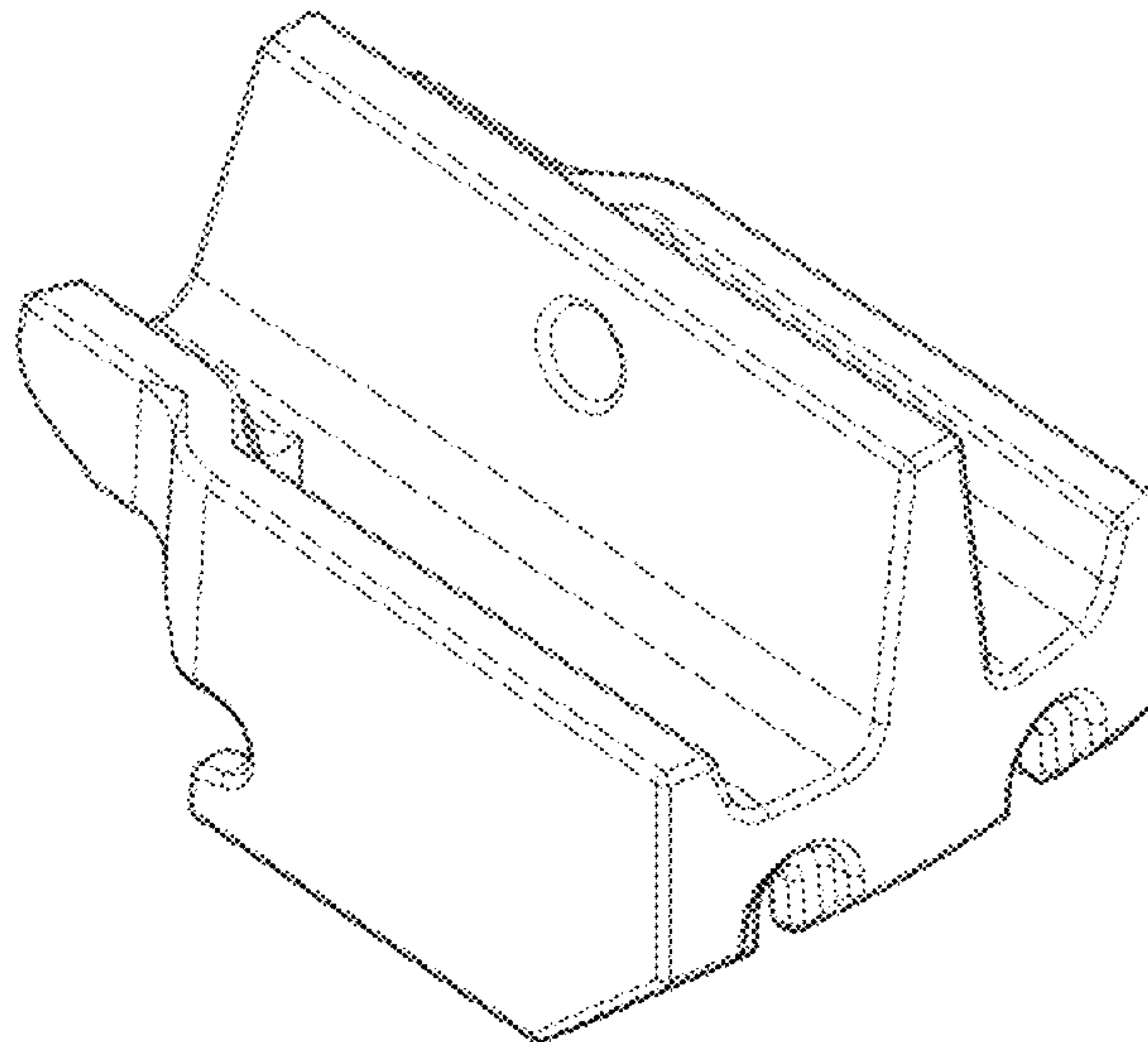
(57) **CLAIM**

The ornamental design for a crusher, as shown and described.

**DESCRIPTION**

FIG. 1 is a perspective view from above of an embodiment of a crusher,  
FIG. 2 is a perspective view from below thereof,  
FIG. 3 is a top view thereof,  
FIG. 4 is a bottom view thereof,  
FIG. 5 is a side view thereof, the other side corresponding,  
FIG. 6 is a front view thereof, the rear view corresponding,  
and  
FIG. 7 is another side view thereof.  
FIG. 8 is a perspective view from above of another embodiment of a crusher,  
FIG. 9 is a perspective view from below thereof,  
FIG. 10 is a top view thereof,  
FIG. 11 is a bottom view thereof,  
FIG. 12 is a side view thereof, the other side corresponding,  
FIG. 13 is a front view thereof, the rear view corresponding;  
and,  
FIG. 14 is another side view thereof.

**1 Claim, 14 Drawing Sheets**



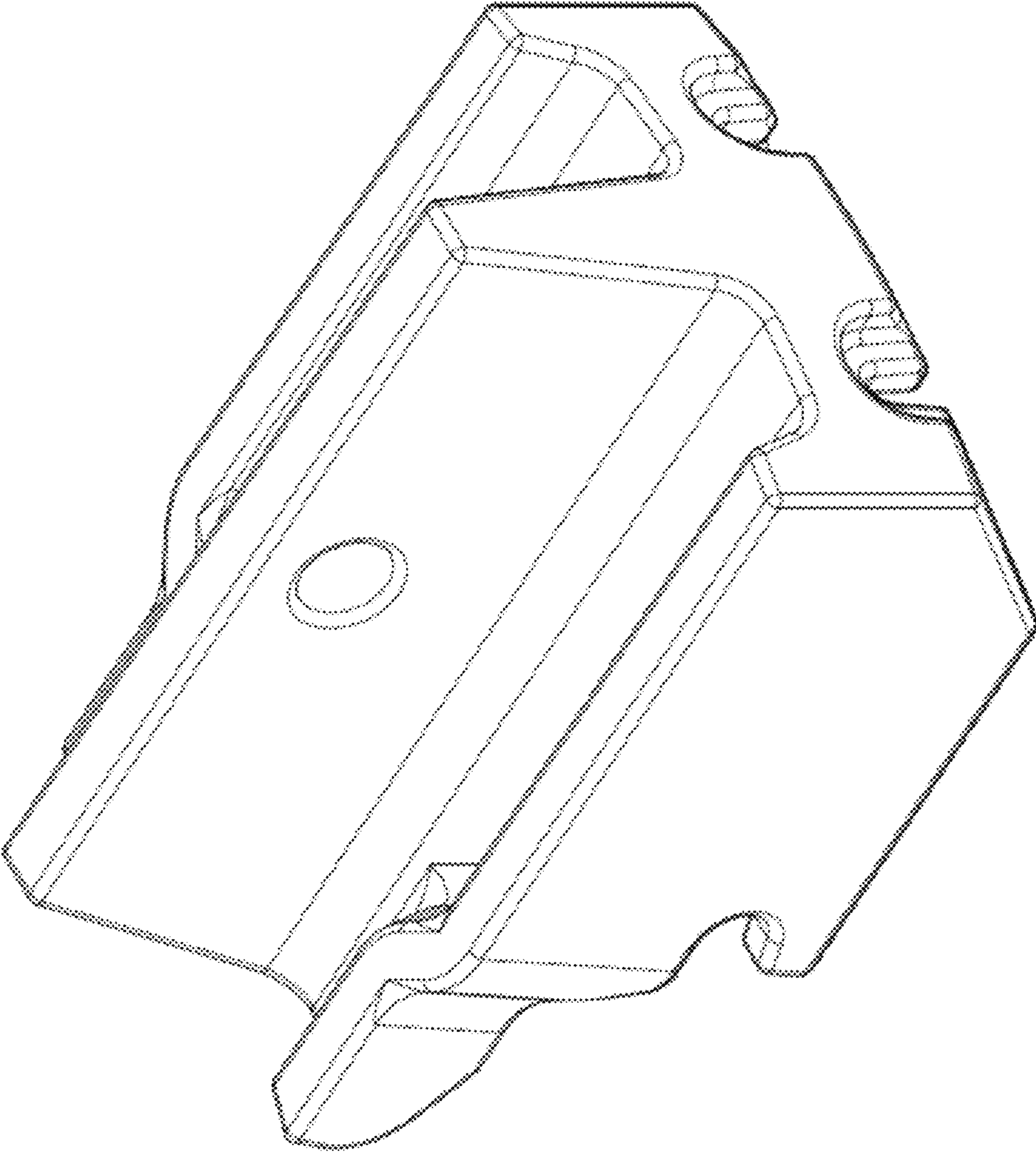


FIG. 1

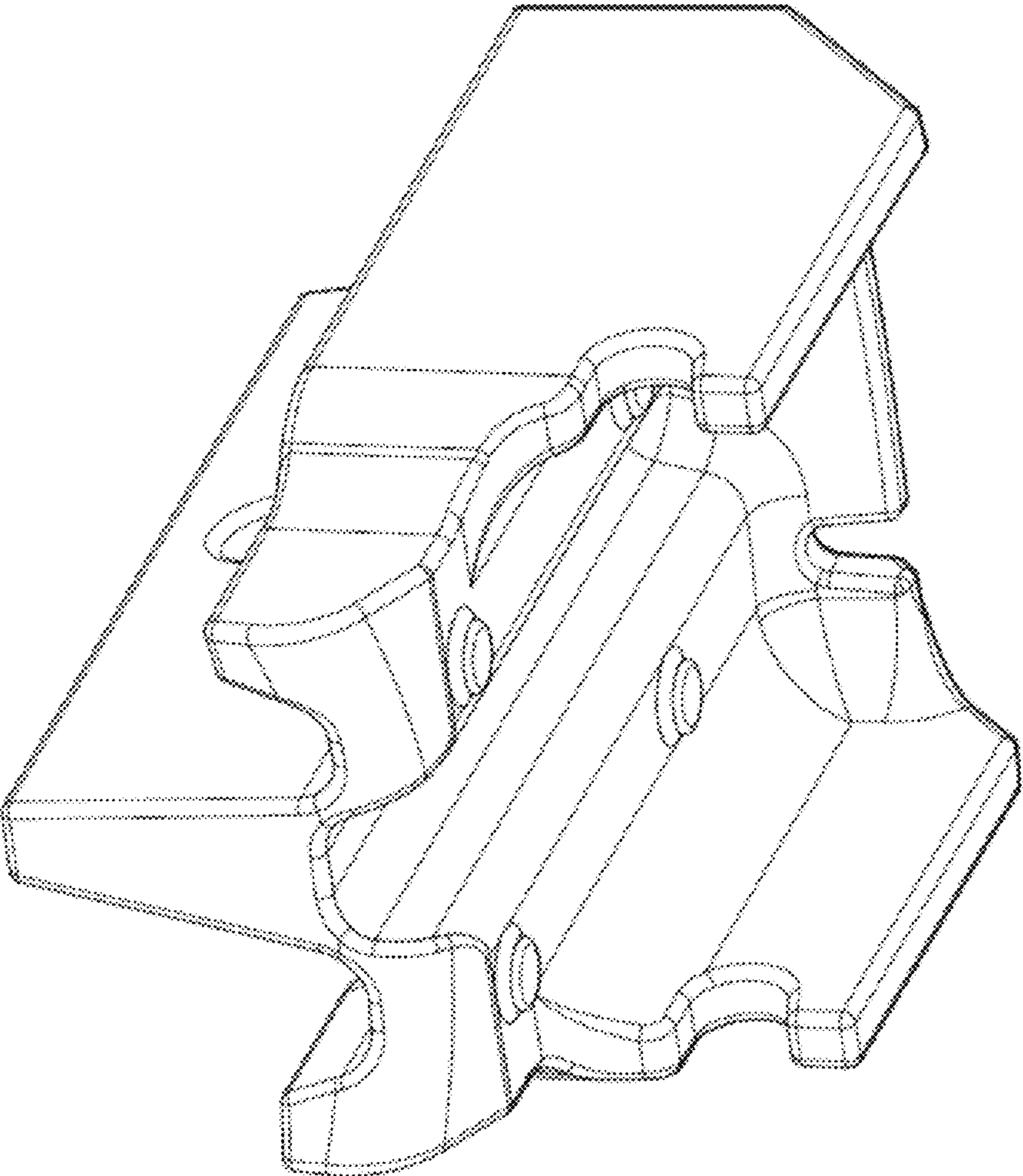


FIG. 2

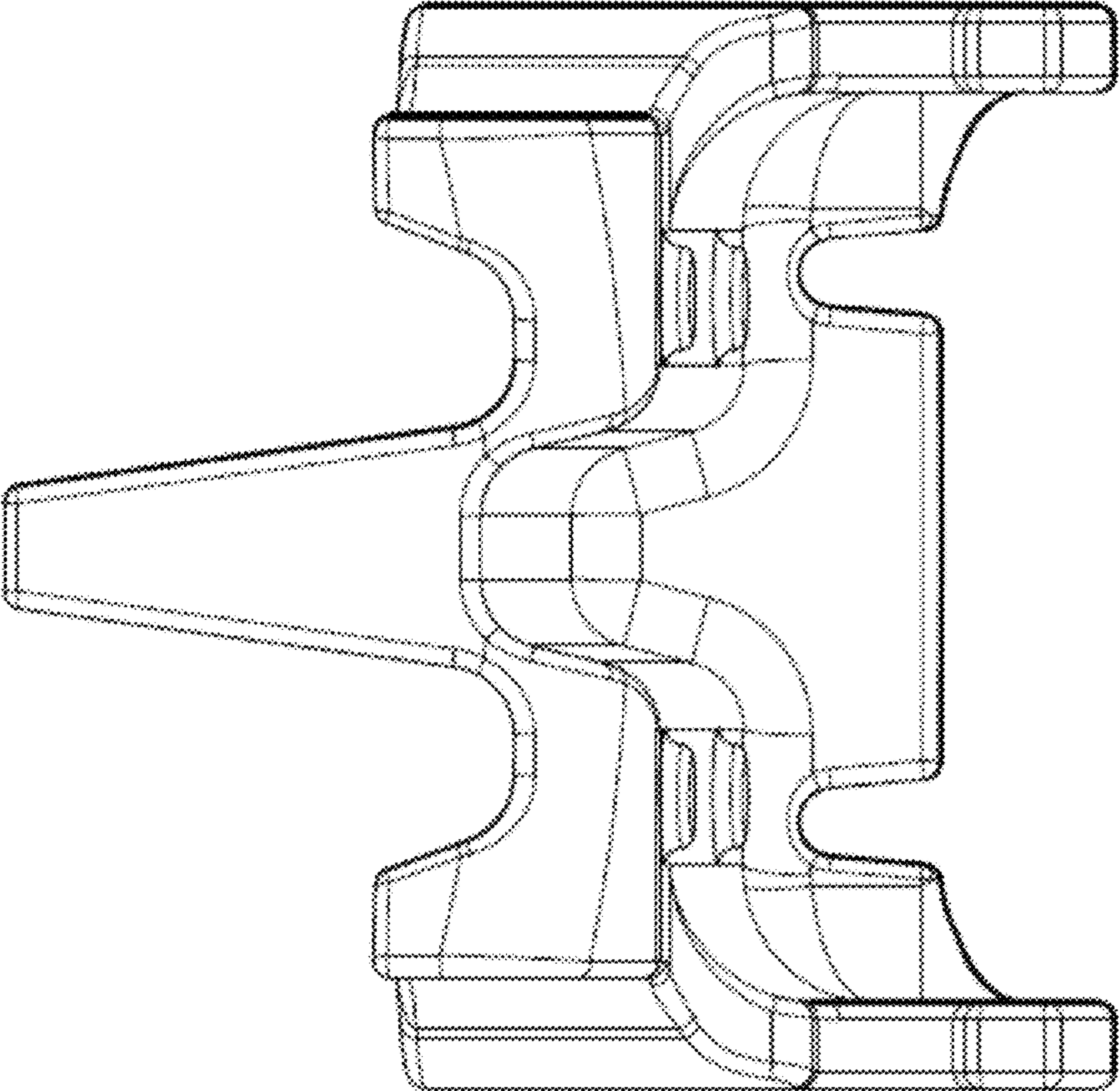


FIG. 3



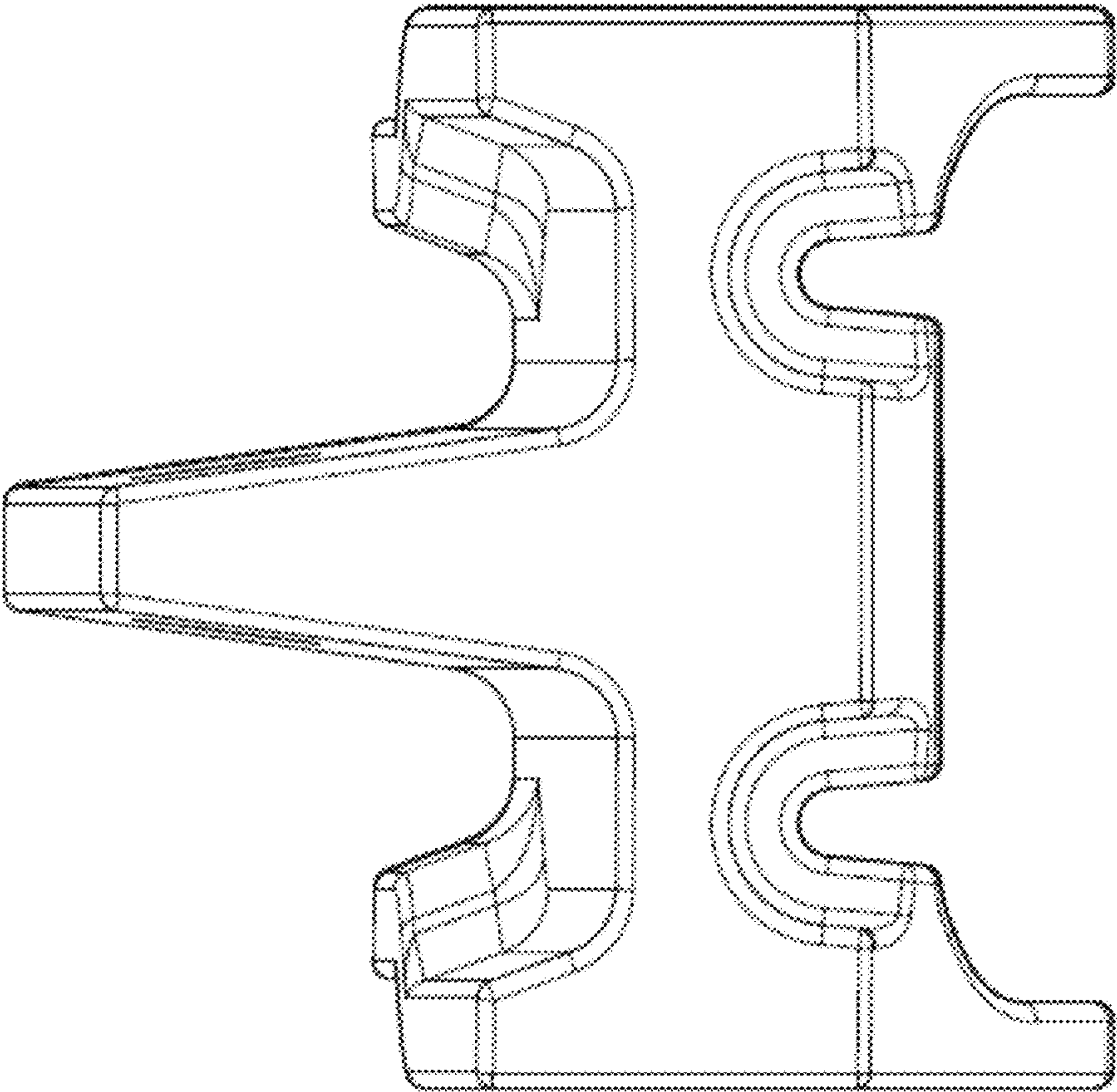


FIG. 4

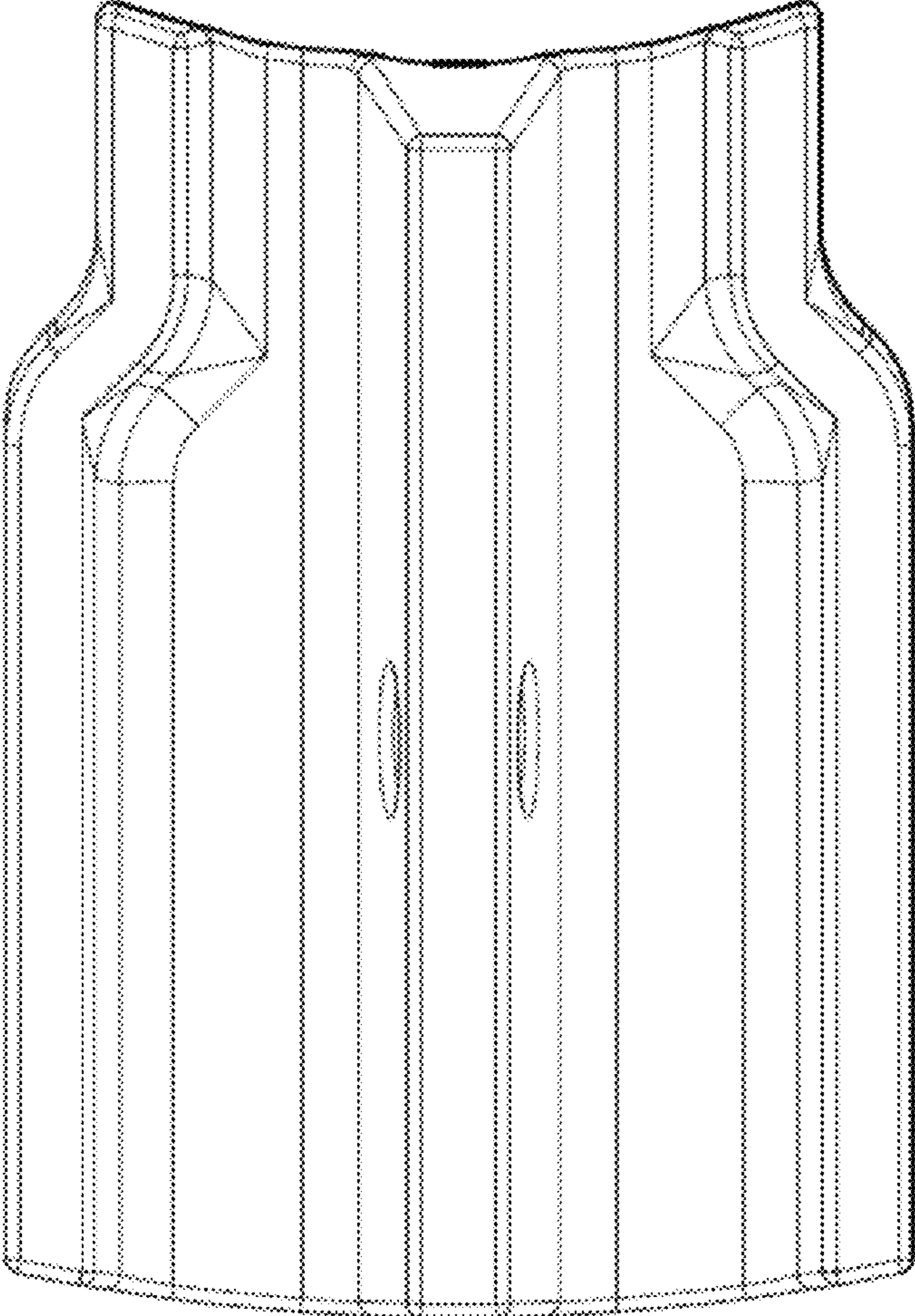


FIG. 5

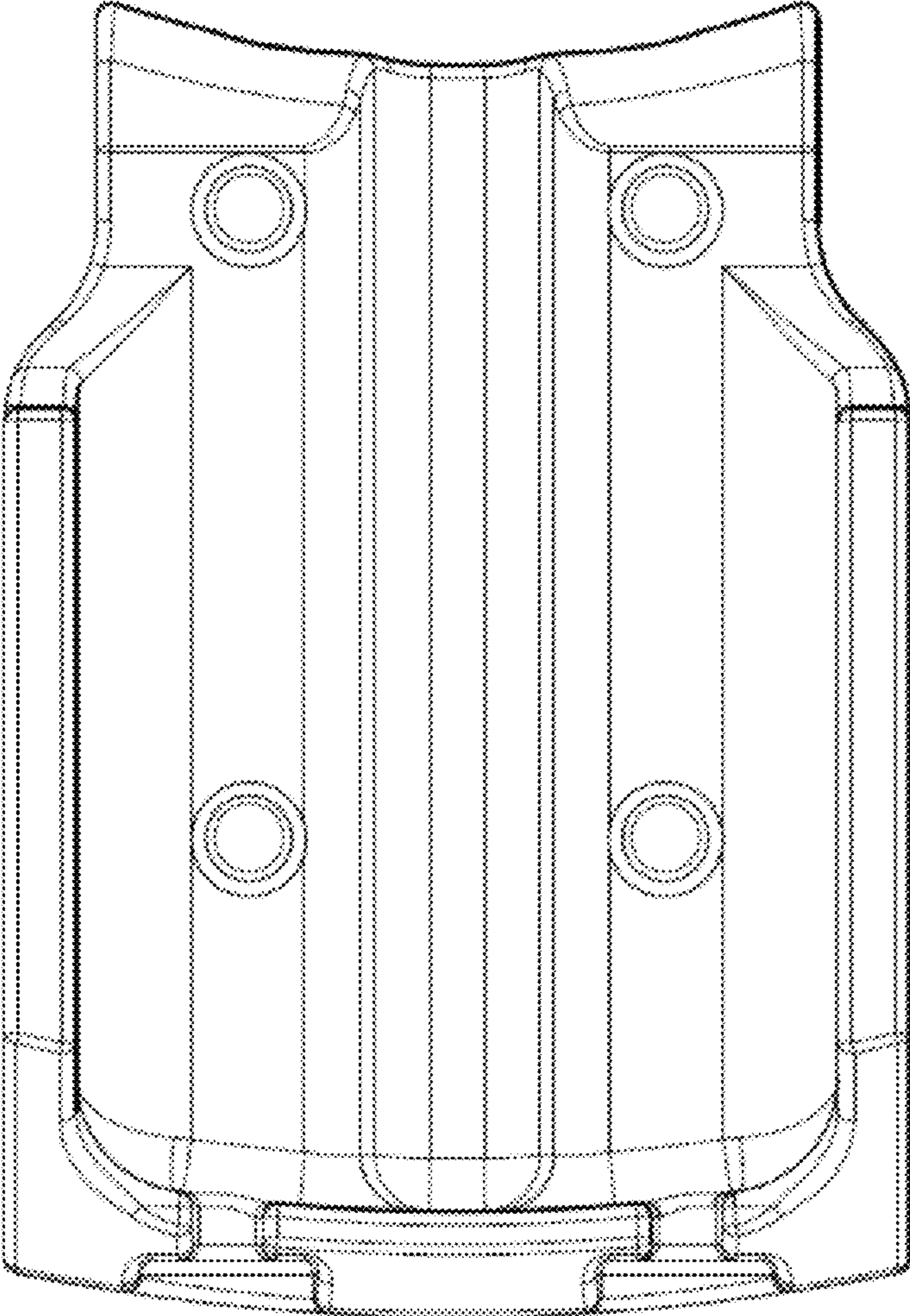


FIG. 6

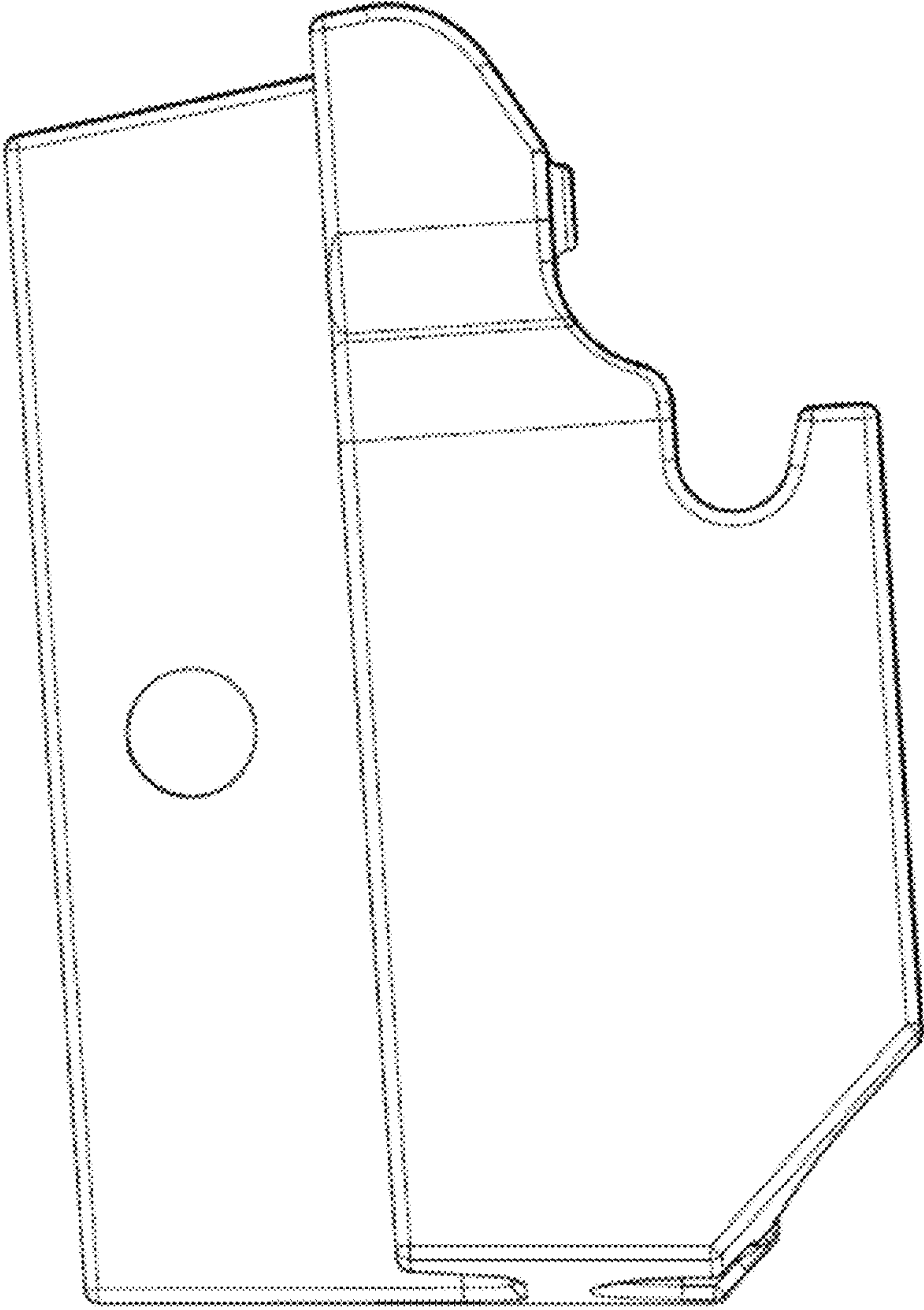


FIG. 7



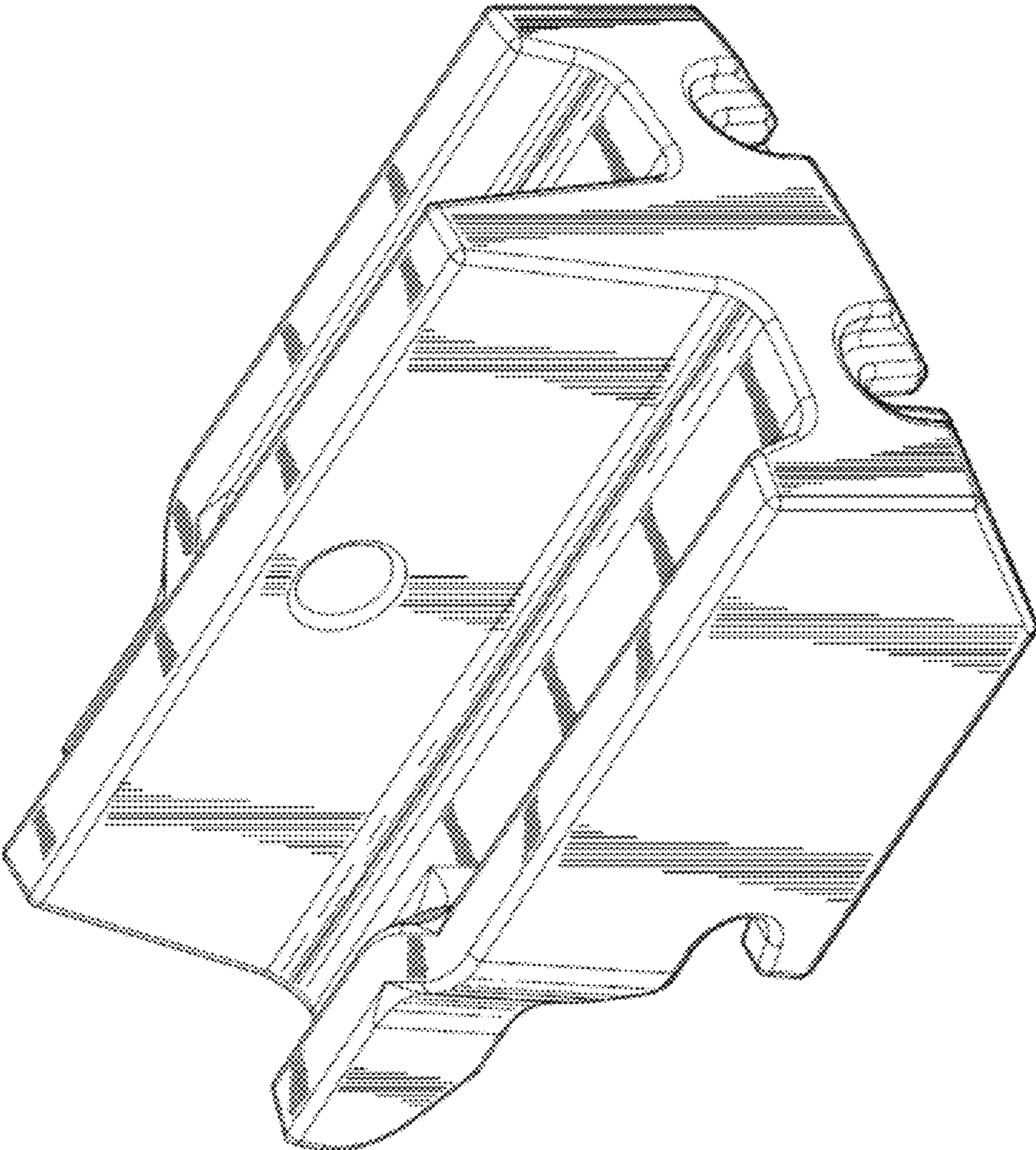


FIG. 8

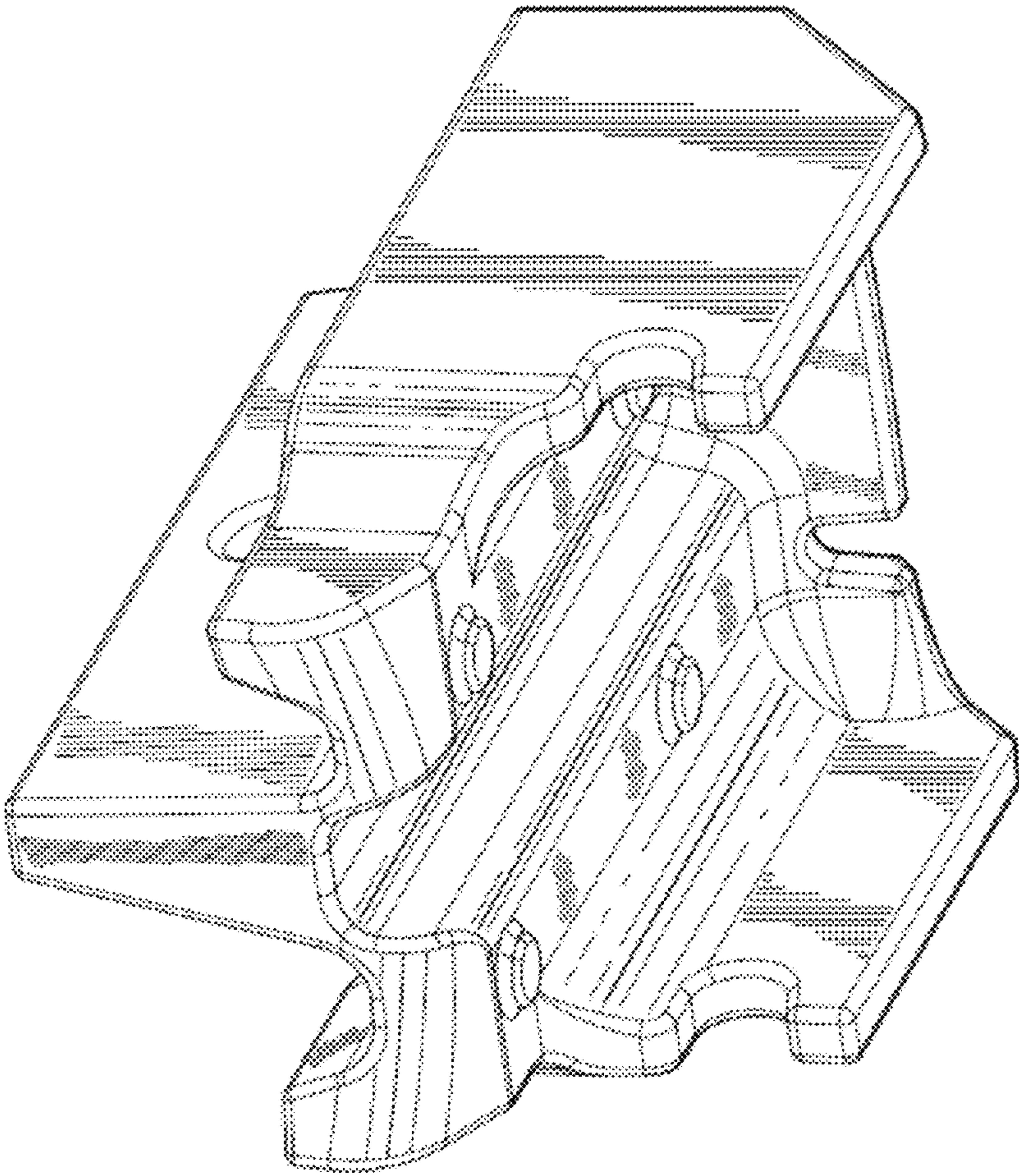


FIG. 9

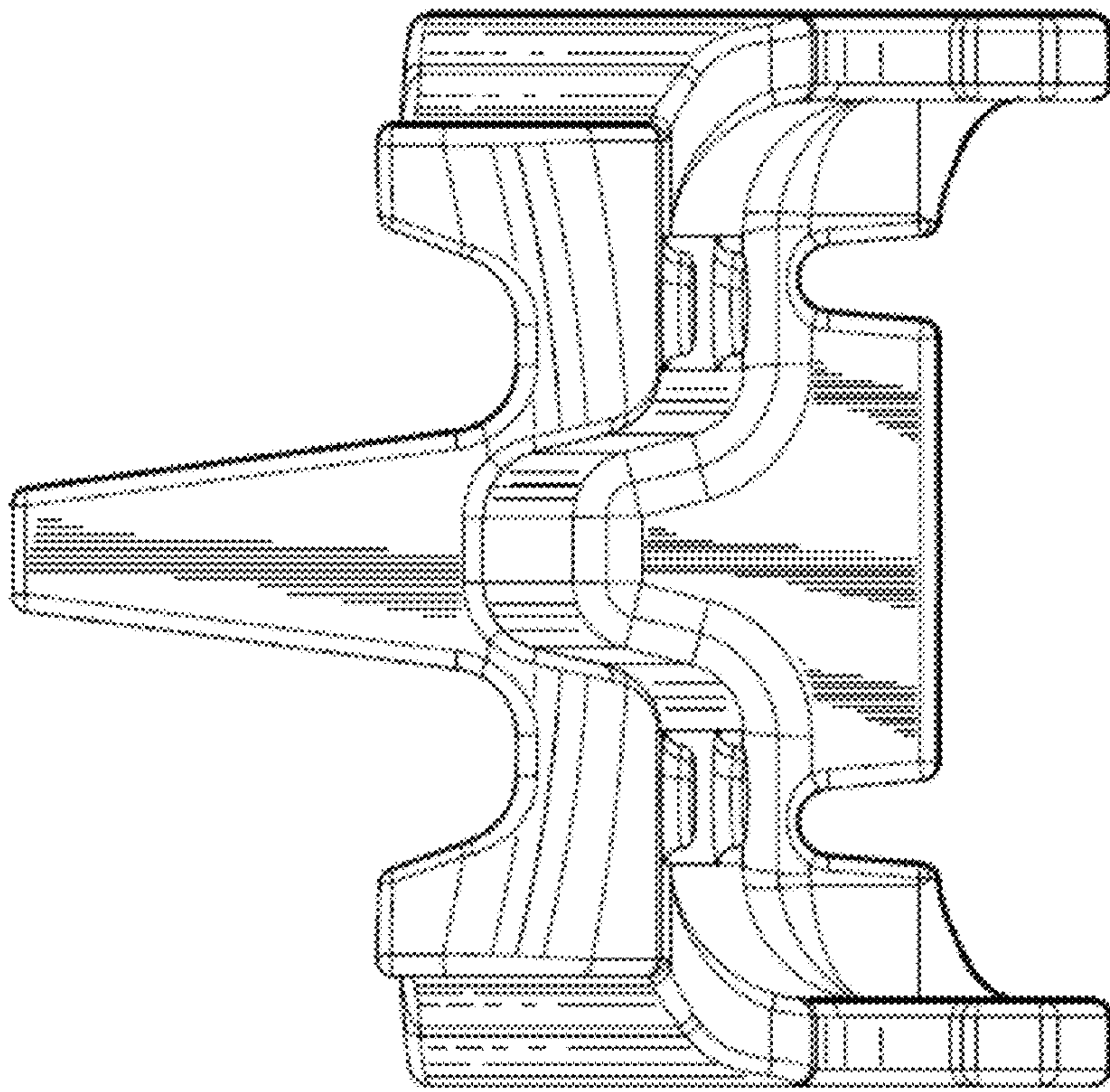


FIG. 10



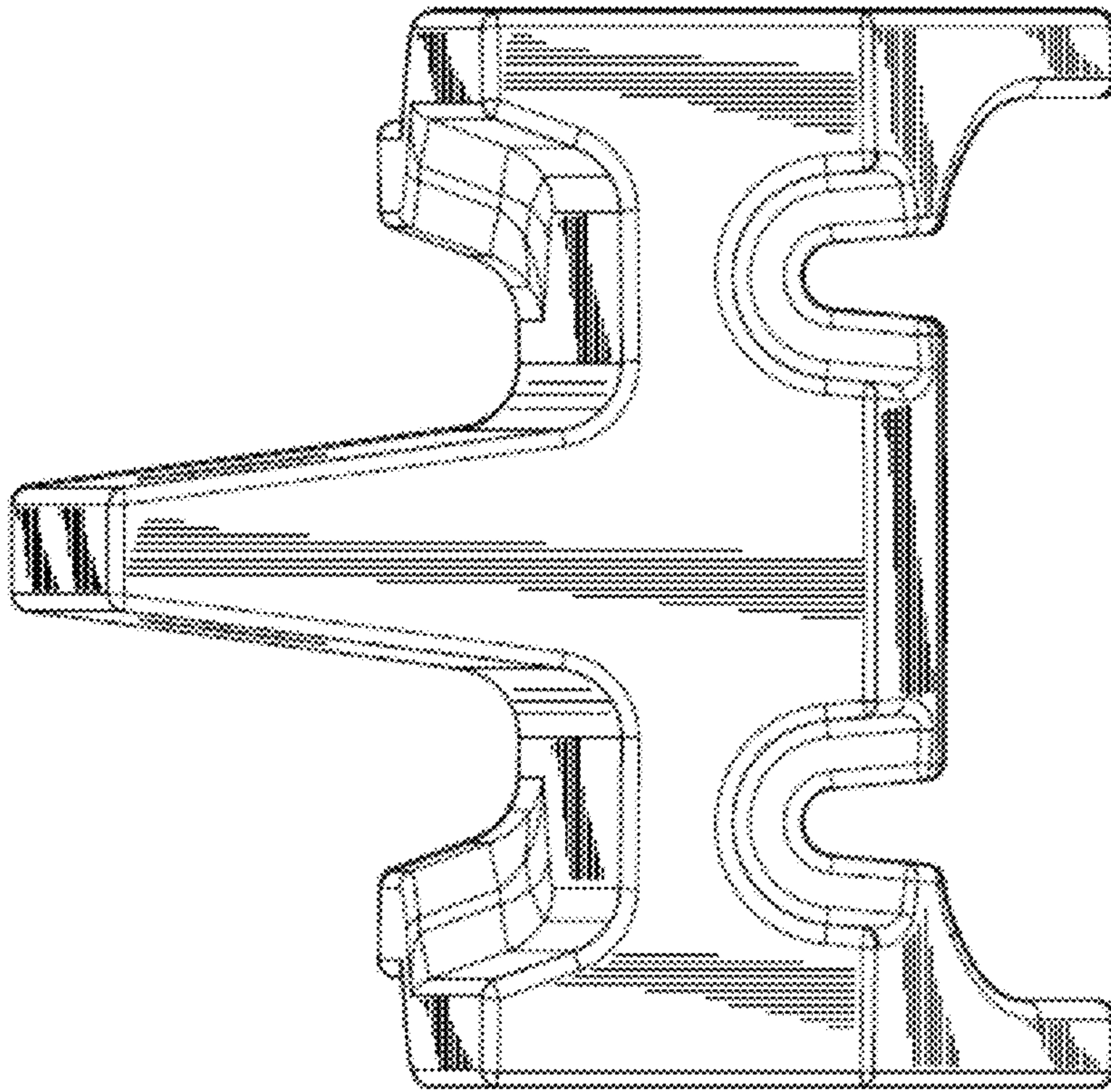


FIG. 11



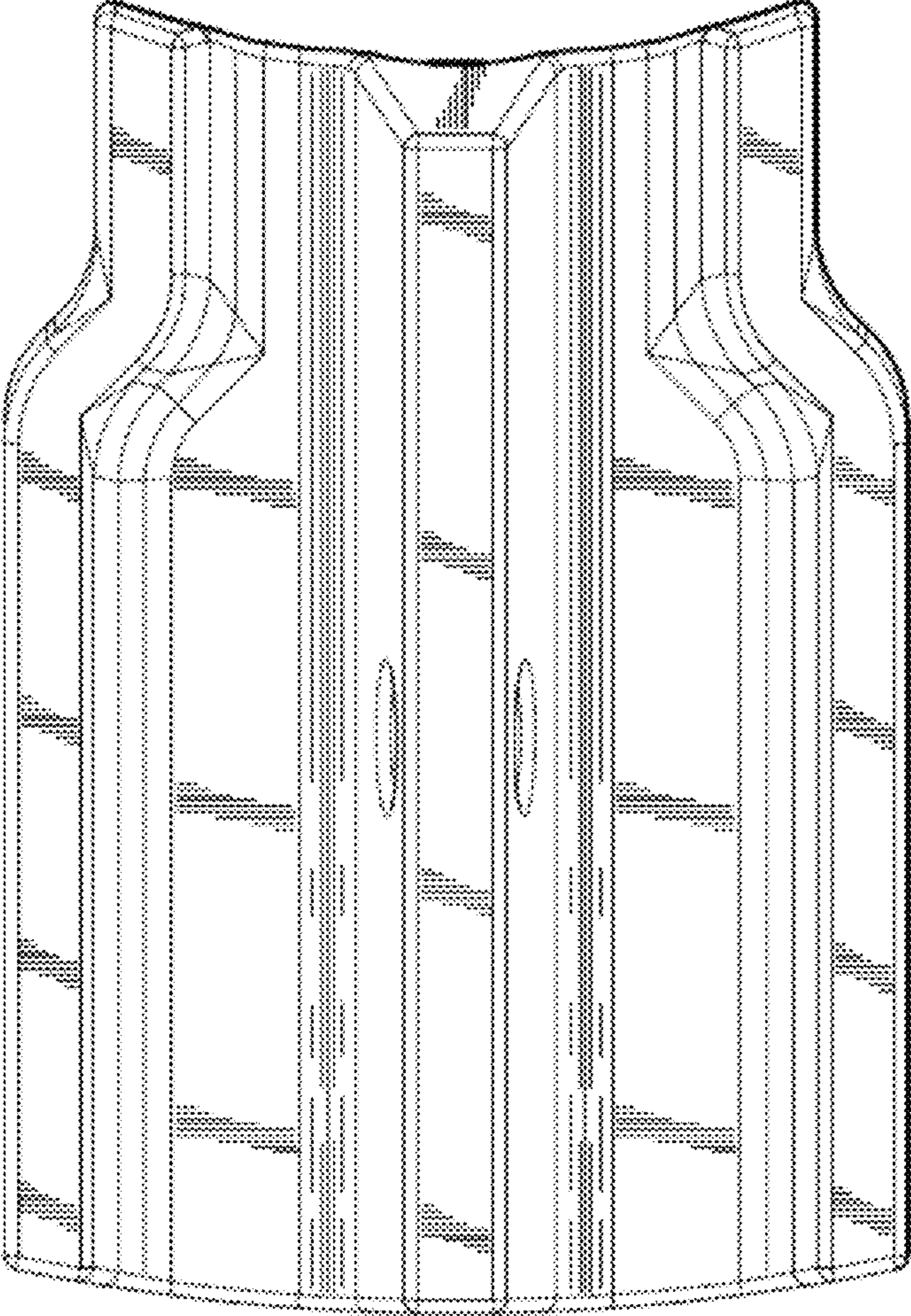


FIG. 12

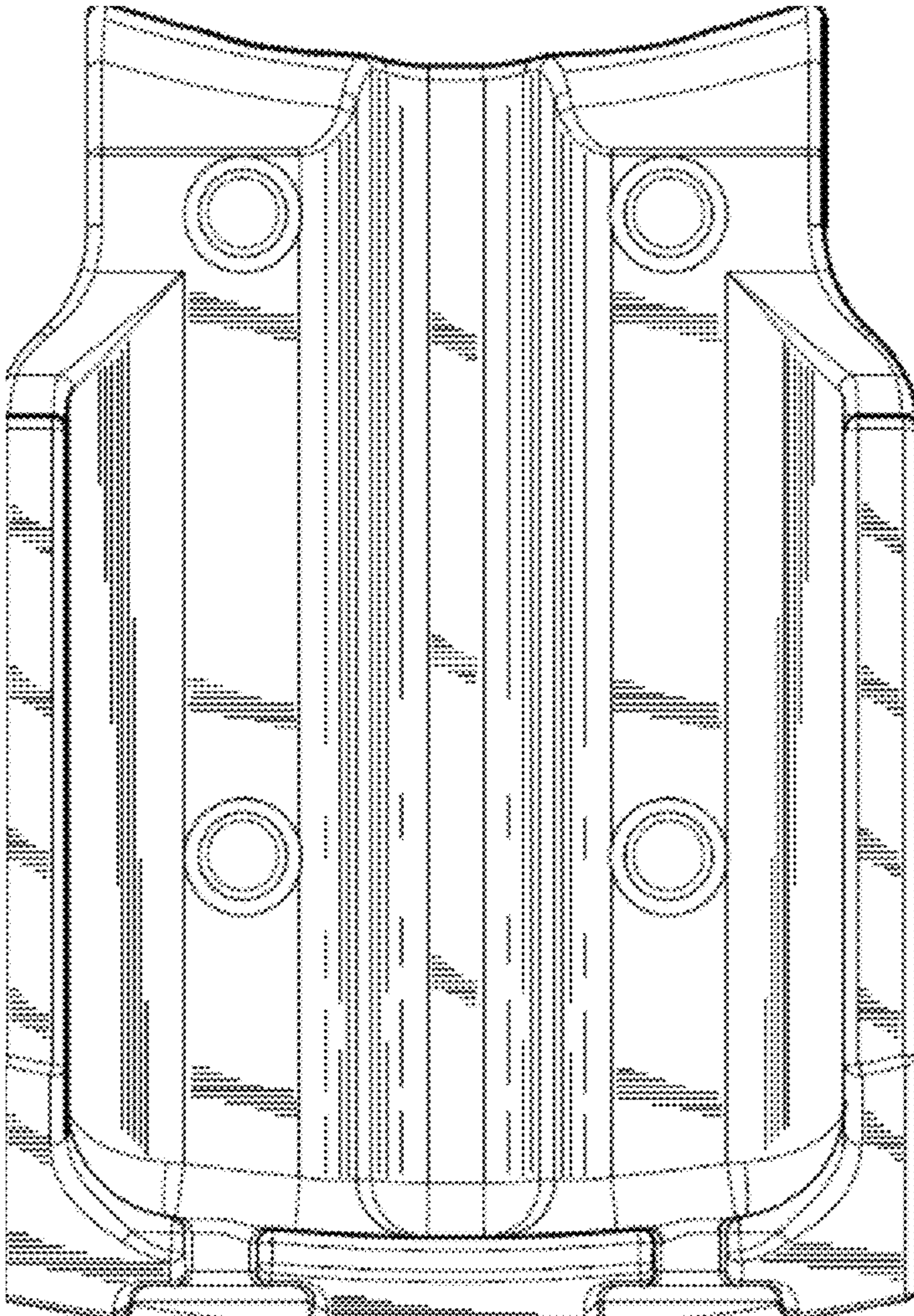


FIG. 13

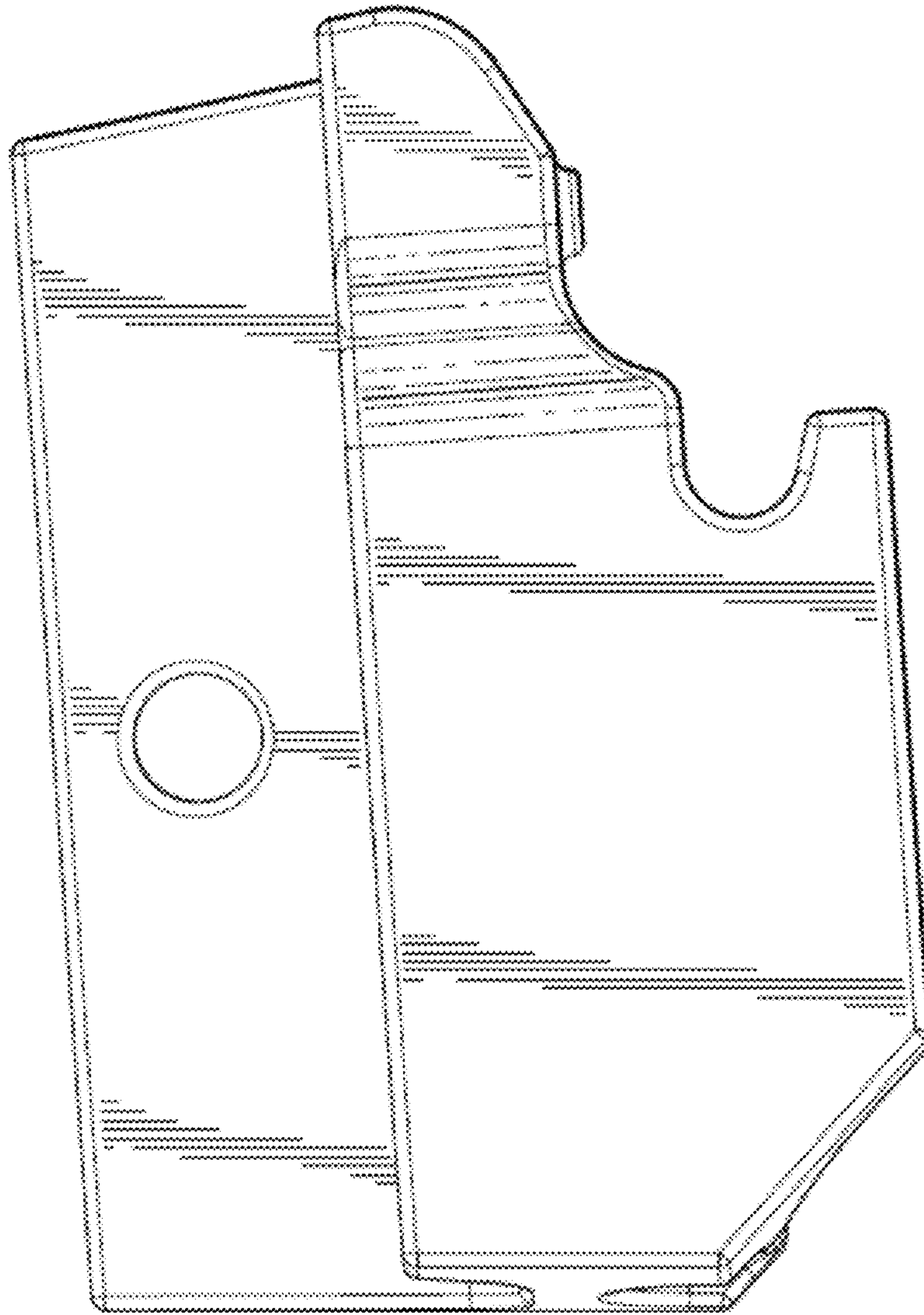


FIG. 14



UNITED STATES PATENT AND TRADEMARK OFFICE  
**CERTIFICATE OF CORRECTION**

PATENT NO. : D716,854 S  
APPLICATION NO. : 29/466291  
DATED : November 4, 2014  
INVENTOR(S) : Bergman et al.

Page 1 of 1

It is certified that error appears in the above-identified patent and that said Letters Patent is hereby corrected as shown below:

On the title page item [73], insert --Sandvik Intellectual Property AB--

Signed and Sealed this  
Twelfth Day of July, 2016



Michelle K. Lee  
*Director of the United States Patent and Trademark Office*