



US00D716853S

(12) **United States Design Patent**
Malmqvist et al.

(10) **Patent No.:** **US D716,853 S**

(45) **Date of Patent:** **** Nov. 4, 2014**

(54) **GYRATORY CRUSHER FRAME**

FOREIGN PATENT DOCUMENTS

(71) Applicant: **Sandvik Intellectual Property AB**,
Sandviken (SE)

GB 269866 9/1927
GB 322690 12/1929
WO 2004110626 A1 12/2004

(72) Inventors: **Patric Malmqvist**, Svedala (SE);
Bengt-Arne Eriksson, Svedala (SE);
Niklas Aberg, Sodra Sandby (SE);
Gustav Bern, Kalmar (SE); **Axel Bergman**, Malmo (SE); **Mikael Larsson**, Eslov (SE)

Primary Examiner — Patricia Palasik
(74) *Attorney, Agent, or Firm* — Corinne R. Gorski

(73) Assignee: **Sandvik Mining and Construction Oy**,
Tampere (FI)

(57) **CLAIM**
The ornamental design for a gyratory crusher frame, as shown and described.

(**) Term: **14 Years**

(21) Appl. No.: **29/441,719**

(22) Filed: **Jan. 9, 2013**

(30) **Foreign Application Priority Data**

Jul. 9, 2012 (EM) 001333793-001
Jul. 9, 2012 (EM) 001333793-002
Jul. 9, 2012 (EM) 001333793-003

(51) **LOC (10) CL.** **15-09**

(52) **U.S. CL.**
USPC **D15/123**

(58) **Field of Classification Search**
USPC D15/122, 123; 72/448, 455, 465;
100/207, 208, 214, 268, 282, 292;
241/31, 58, 159, 179, 186, 236, 285;
435/86, 135, 347, 348.5, 349, 350,
435/353, 355, 358, 360

See application file for complete search history.

(56) **References Cited**

U.S. PATENT DOCUMENTS

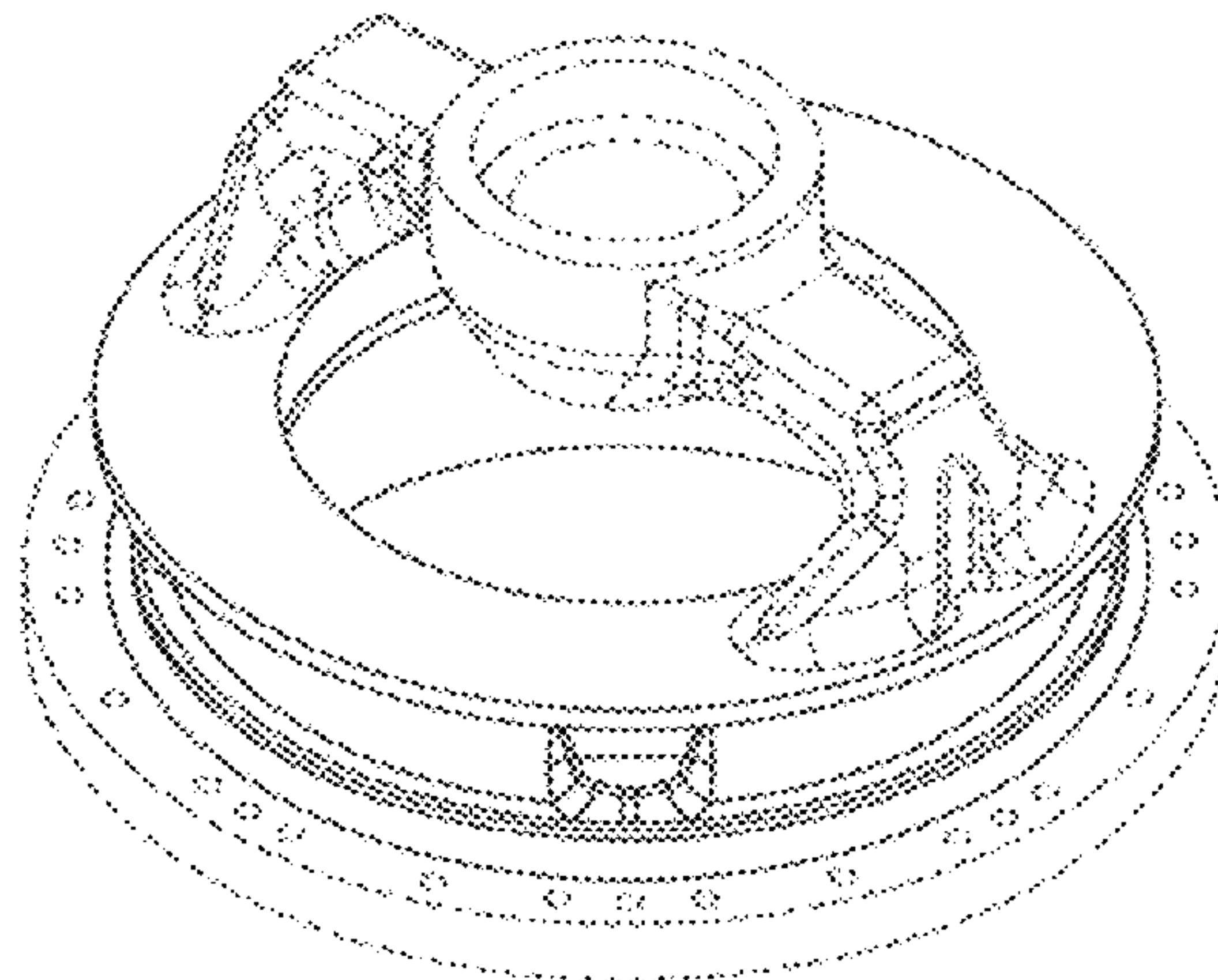
3,843,068 A * 10/1974 Allen et al. 241/285.1
4,034,922 A 7/1977 Coxhill

(Continued)

DESCRIPTION

FIG. 1 is a perspective view of a first embodiment of a gyratory crusher frame;
FIG. 2 is a bottom view thereof;
FIG. 3 is a top view thereof;
FIG. 4 is a front view thereof, wherein the rear view corresponds thereto; and
FIG. 5 is one side view thereof, wherein the other side view corresponds thereto.
FIG. 6 is a perspective view of a second embodiment of a gyratory crusher frame;
FIG. 7 is a bottom view thereof;
FIG. 8 is a top view thereof;
FIG. 9 is a front view thereof wherein the rear view corresponds thereto; and;
FIG. 10 is one side view thereof, wherein the other side view corresponds thereto.
FIG. 11 is a perspective view of a third embodiment of a gyratory crusher frame;
FIG. 12 is a bottom view thereof;
FIG. 13 is a top view thereof;
FIG. 14 is a front view thereof wherein the rear view corresponds thereto; and,
FIG. 15 is one side view thereof, wherein the other side view corresponds thereto.
The broken lines in the drawings depict unclaimed environmental subject matter.

1 Claim, 14 Drawing Sheets



(56)

References Cited

U.S. PATENT DOCUMENTS

2002/0170994 A1 11/2002 Van Mullem
2007/0272780 A1 11/2007 Olsson et al.
2010/0155512 A1 6/2010 Persson et al.

2011/0006143 A1* 1/2011 Gunnarsson et al. 241/215
2012/0091241 A1* 4/2012 Loyer et al. 241/207
2013/0075508 A1* 3/2013 Stemper 241/207
2013/0334348 A1* 12/2013 Dricken et al. 241/32

* cited by examiner

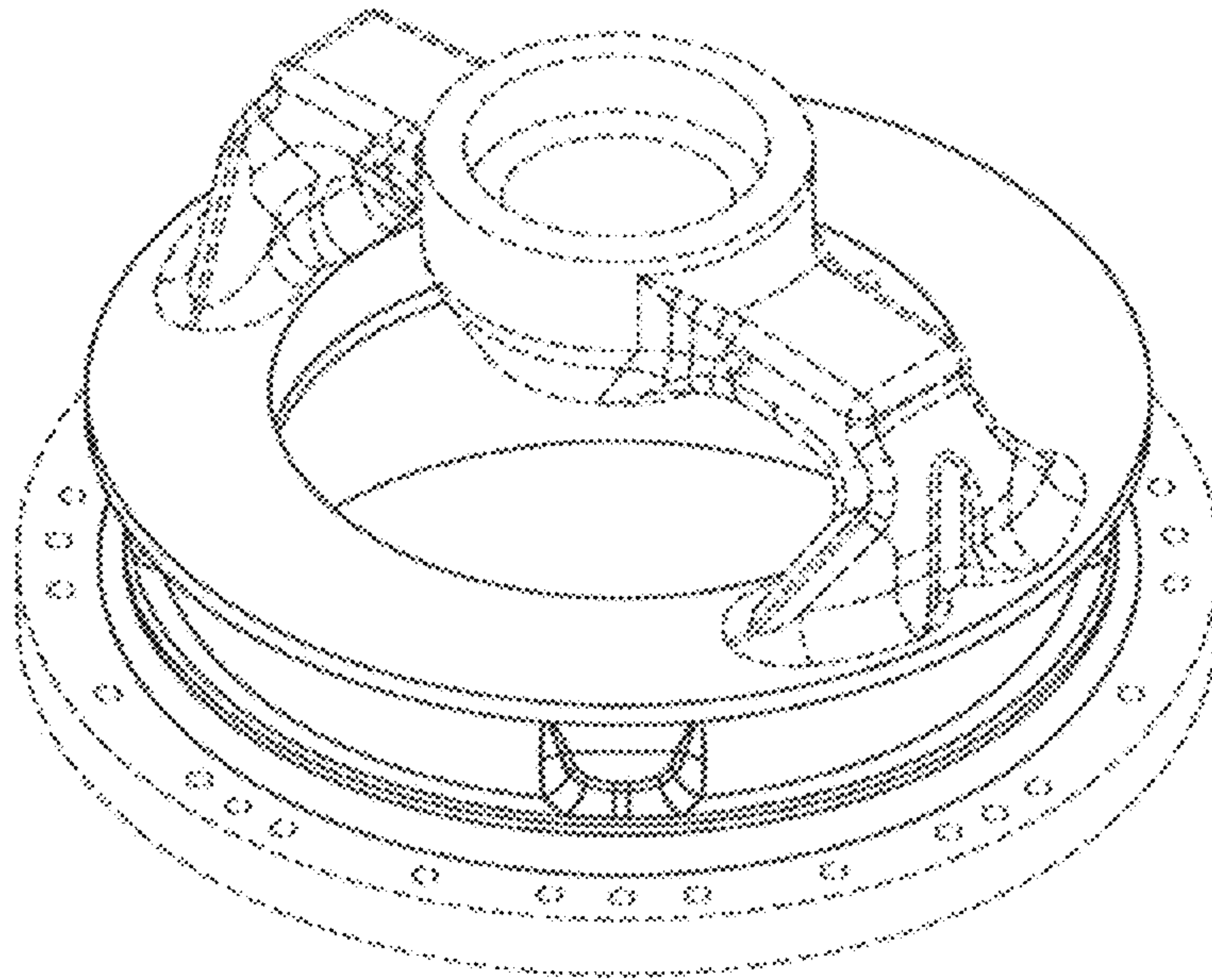


FIG. 1

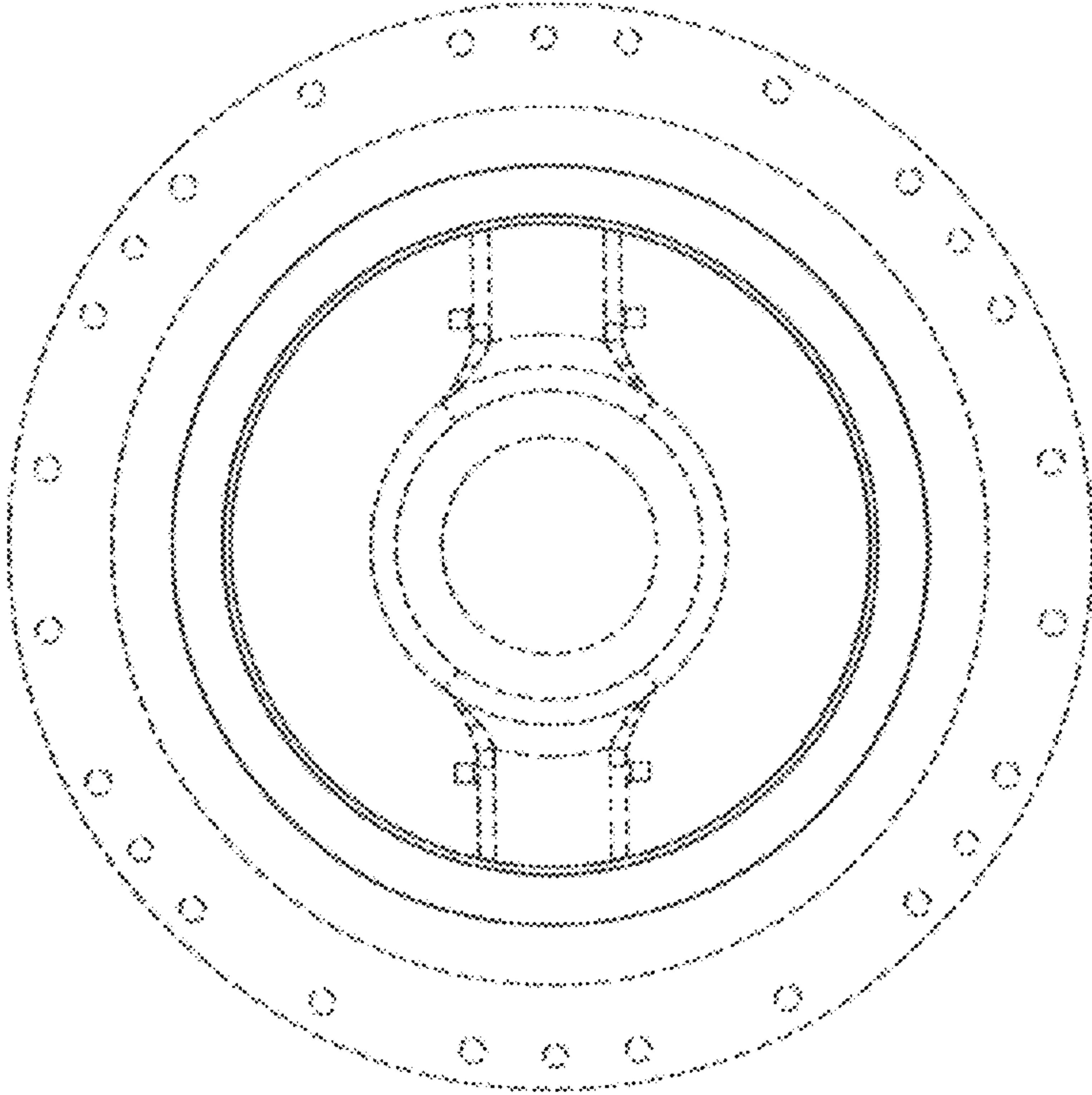


FIG. 2

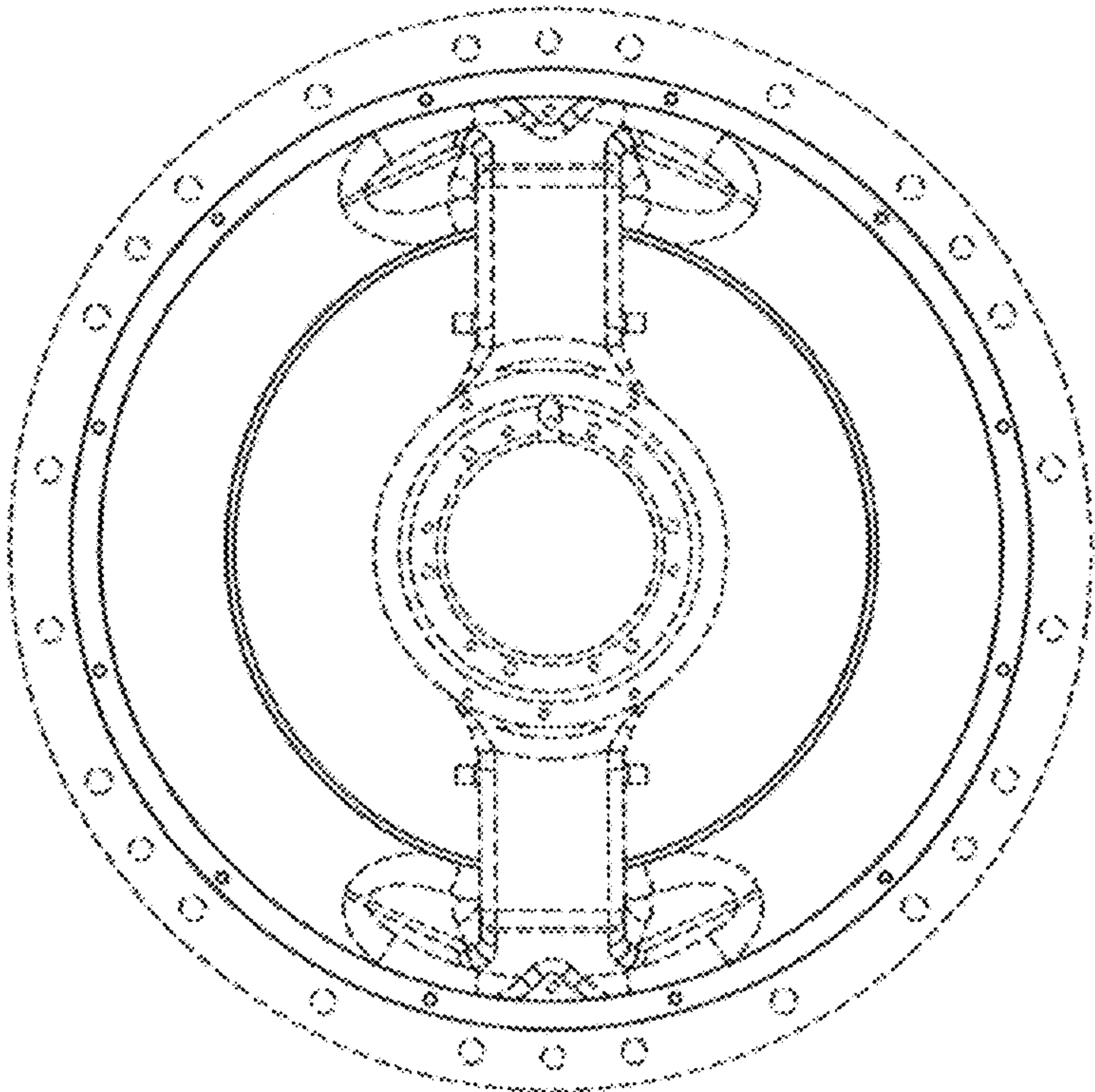


FIG. 3

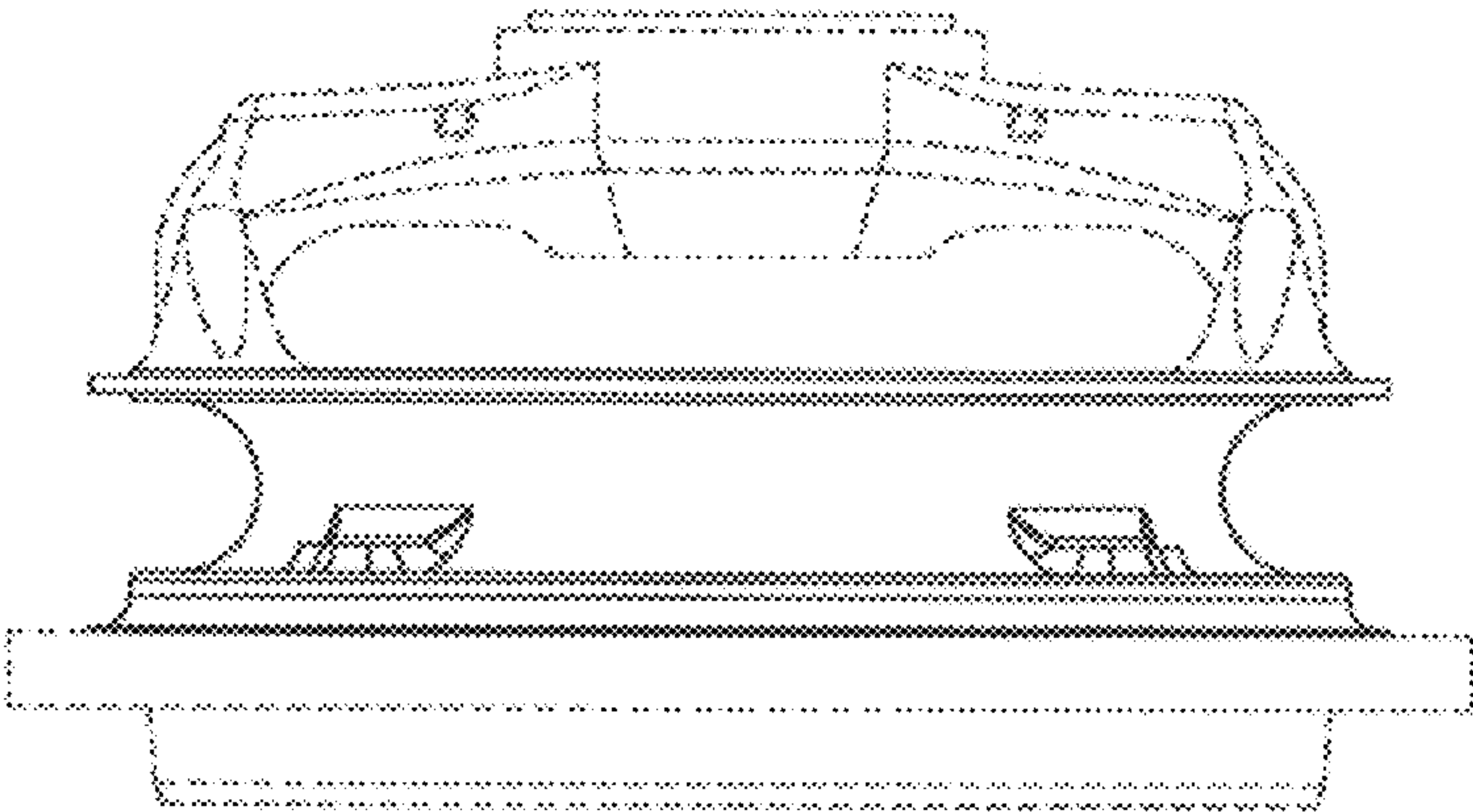


FIG. 4

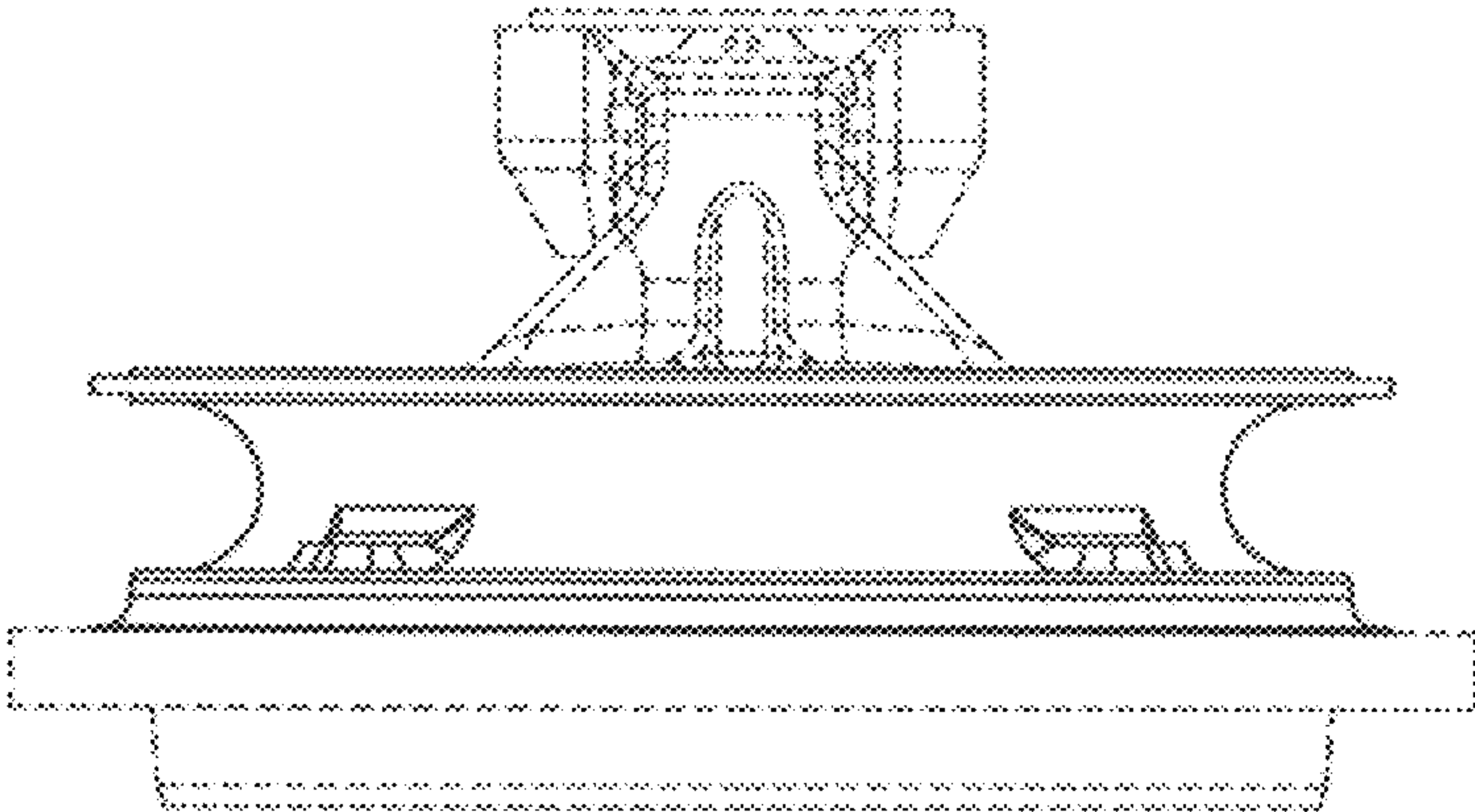


FIG. 5

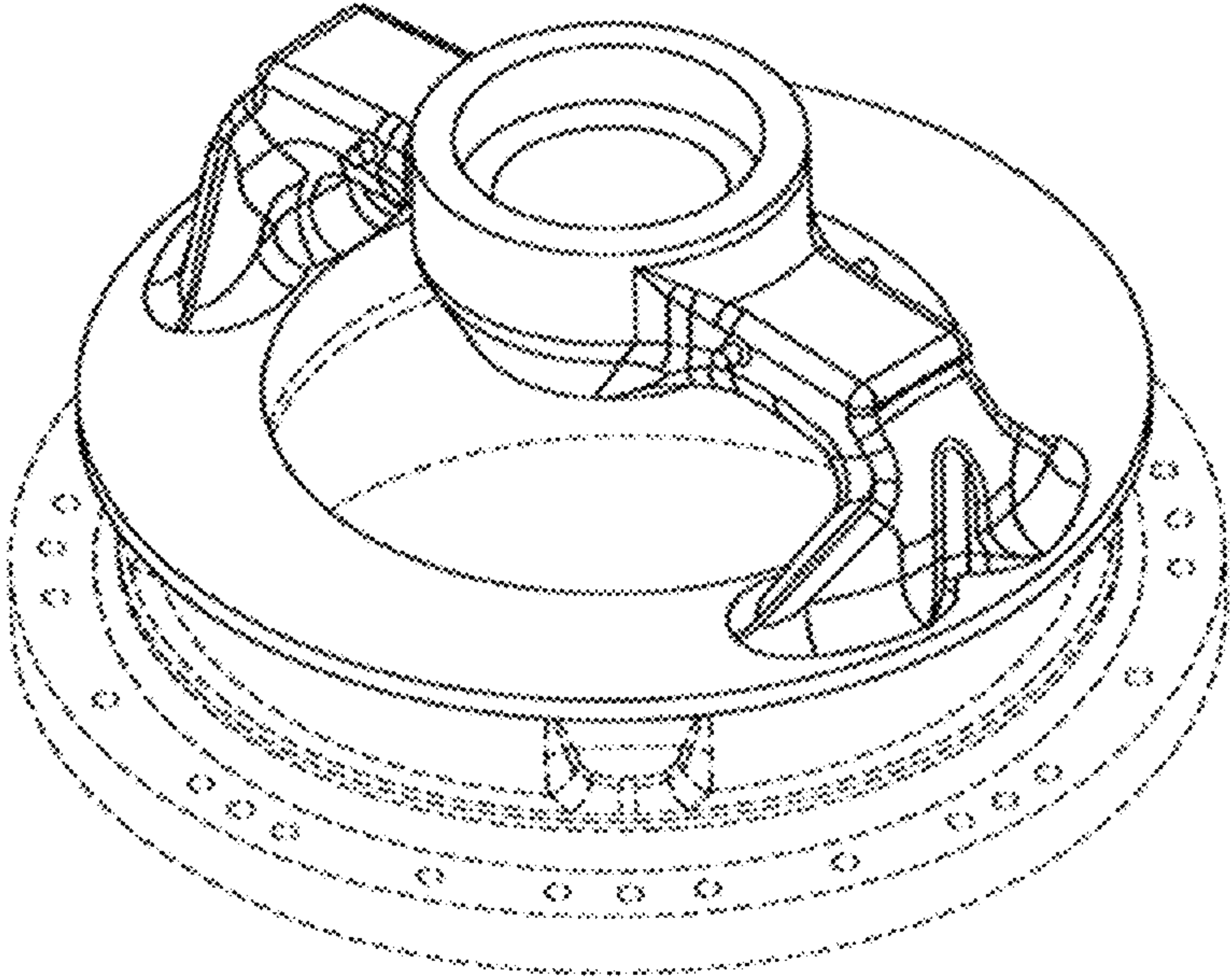


FIG. 6

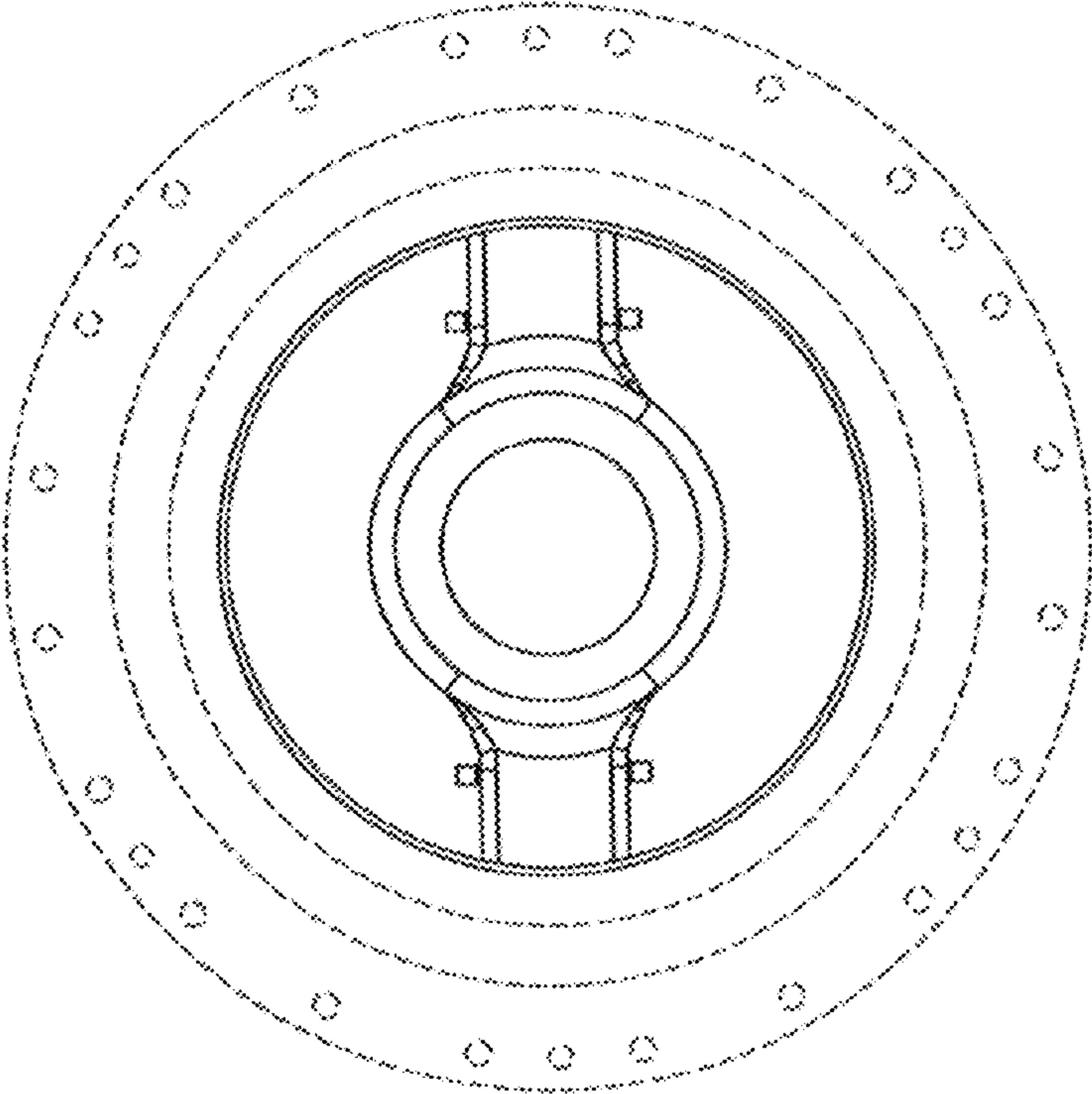


FIG. 7

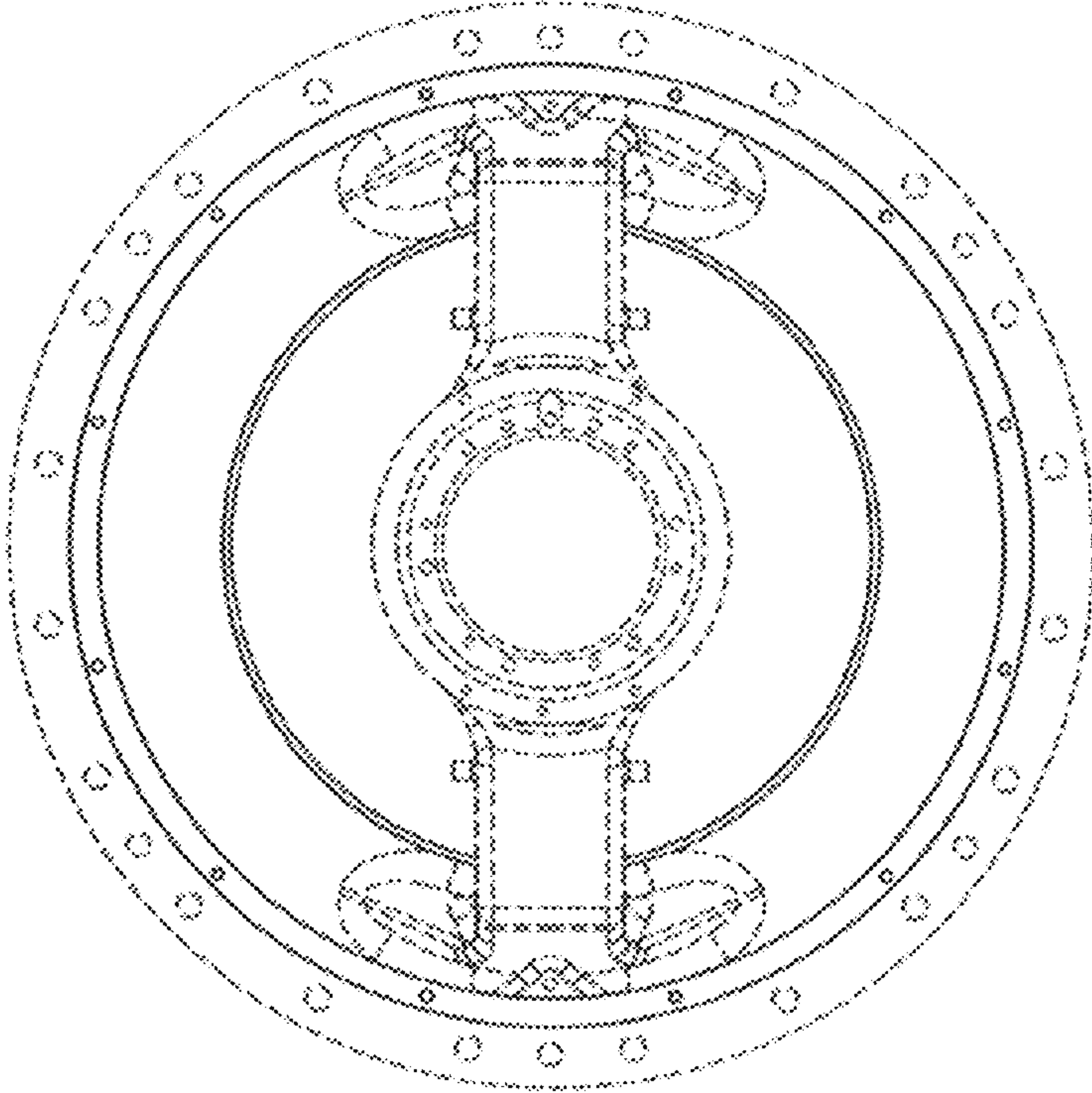


FIG. 8

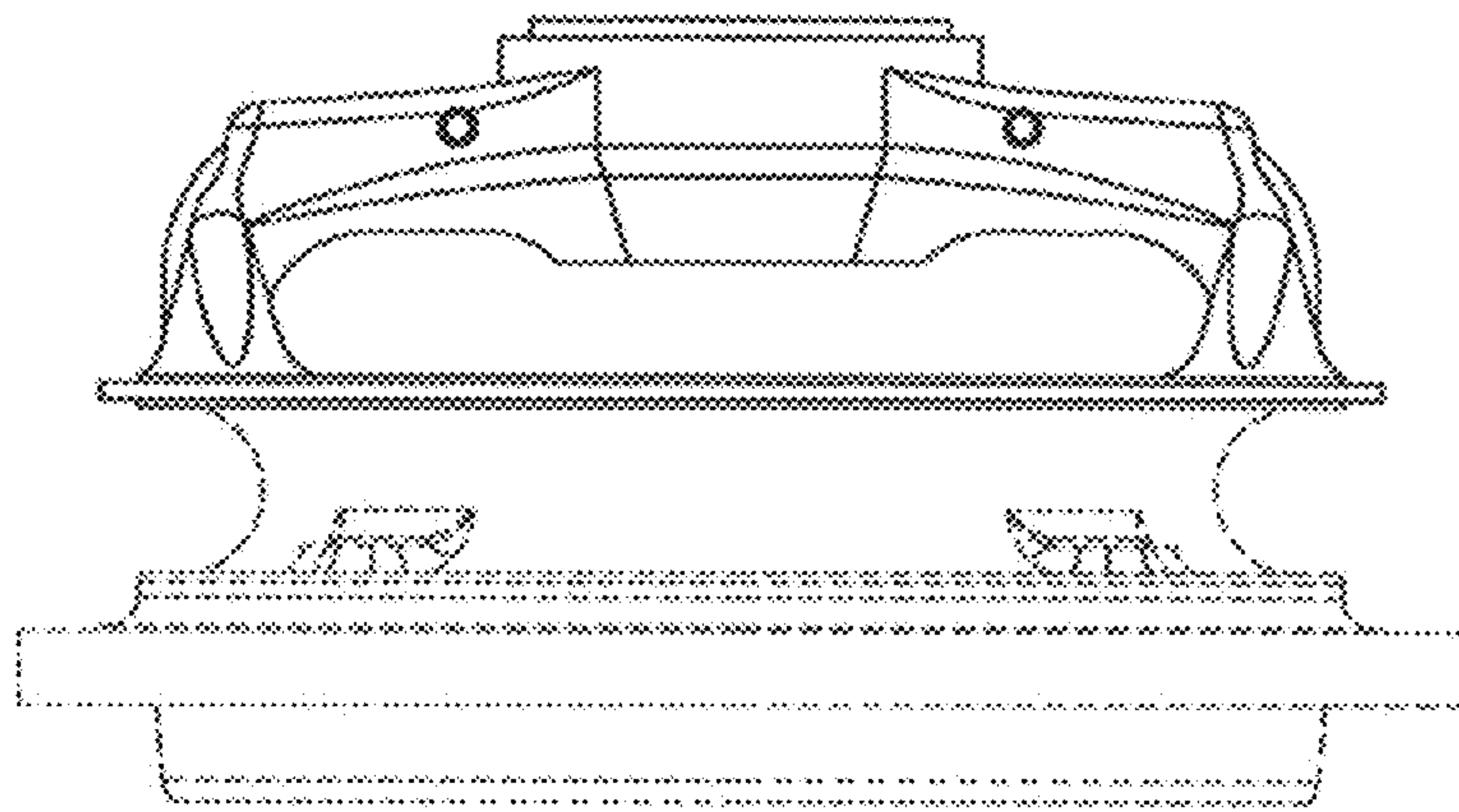


FIG. 9

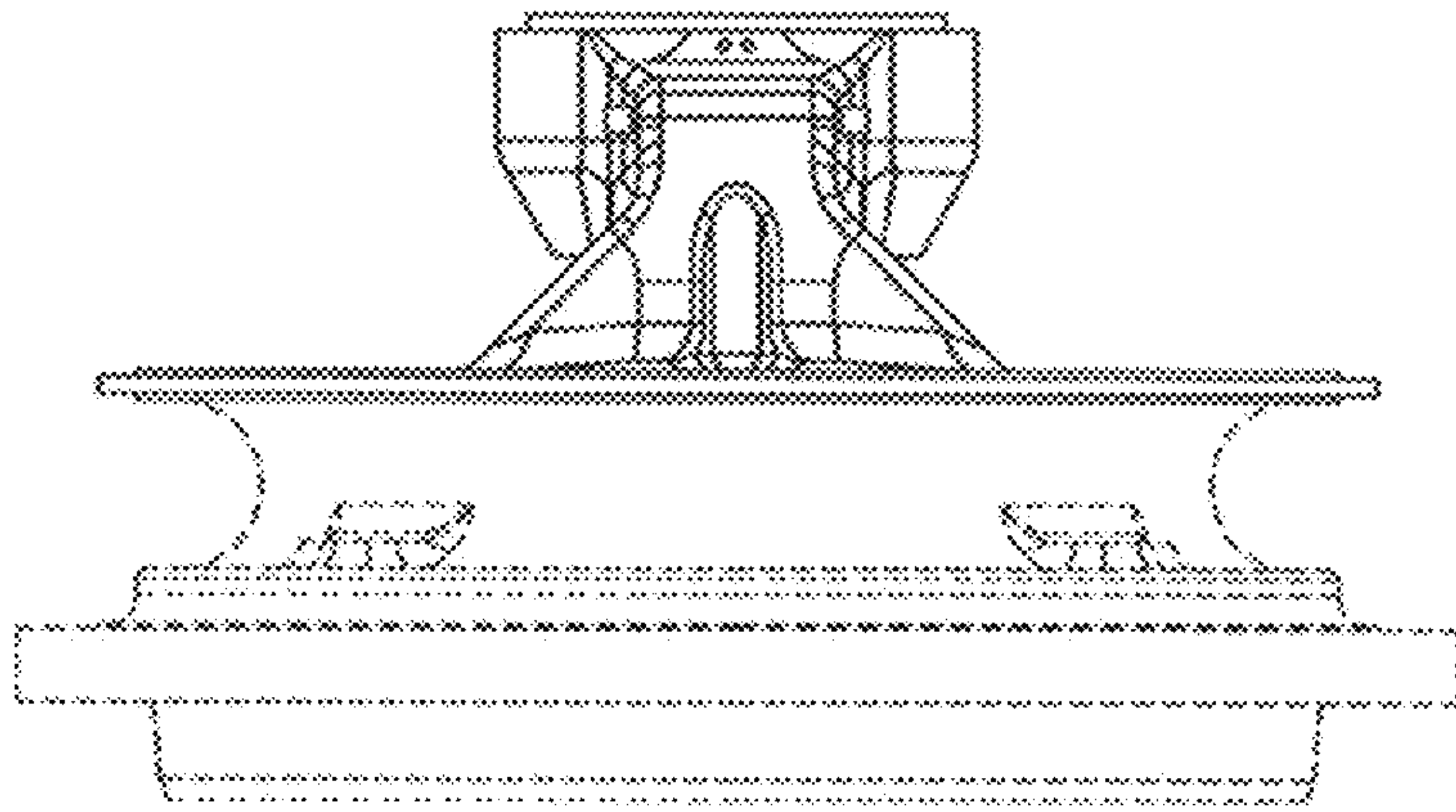


FIG. 10

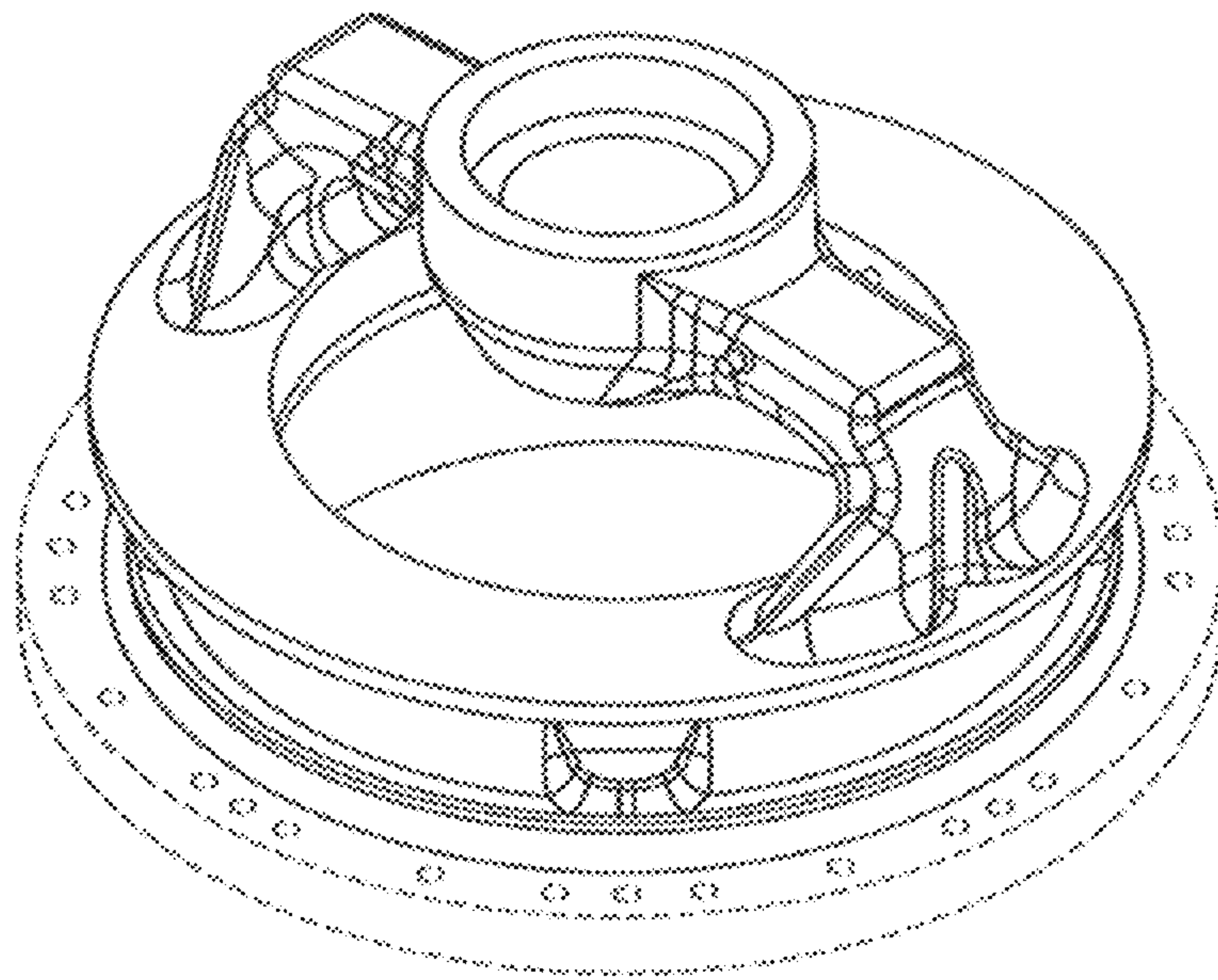


FIG. 11

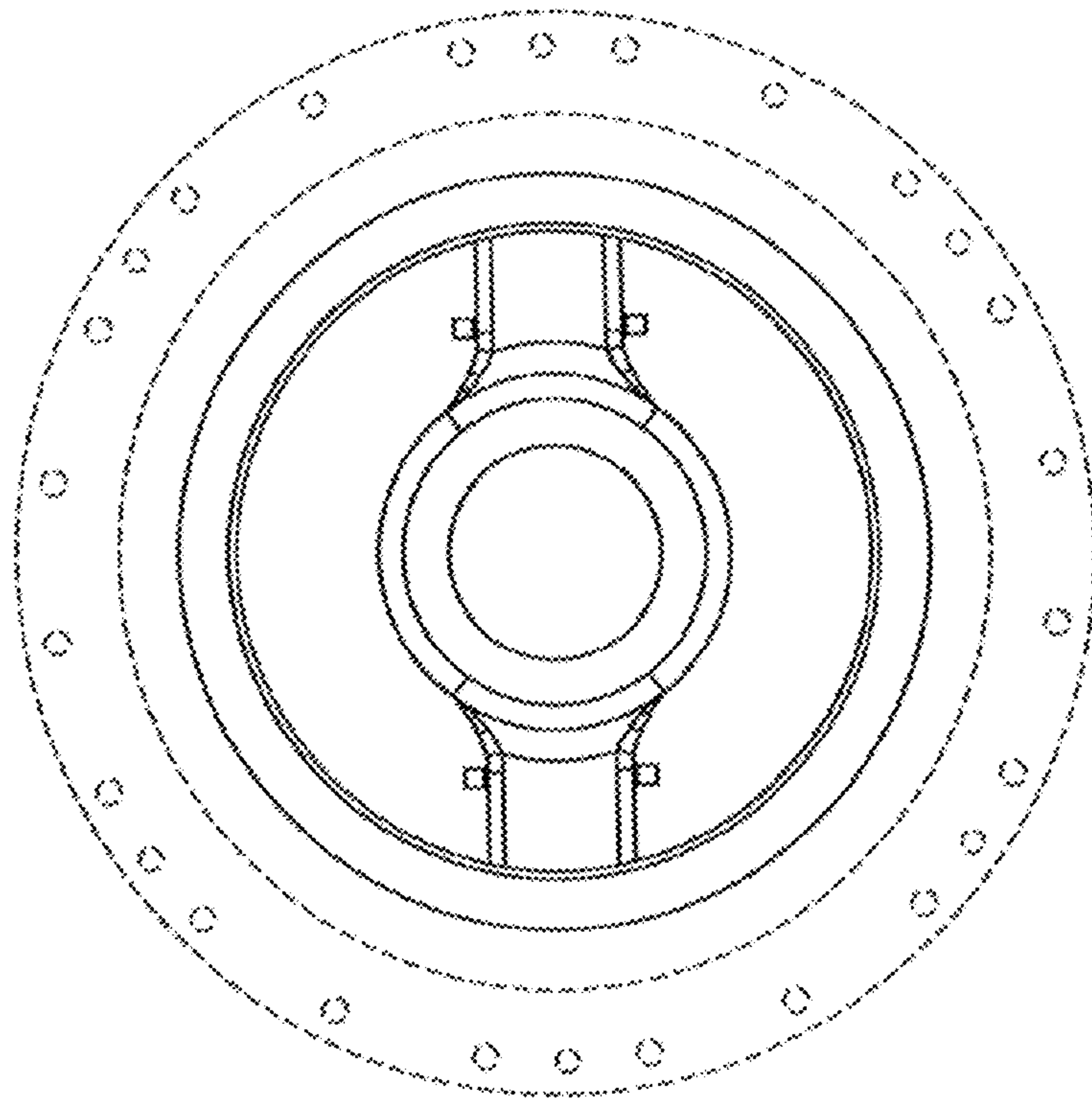


FIG. 12

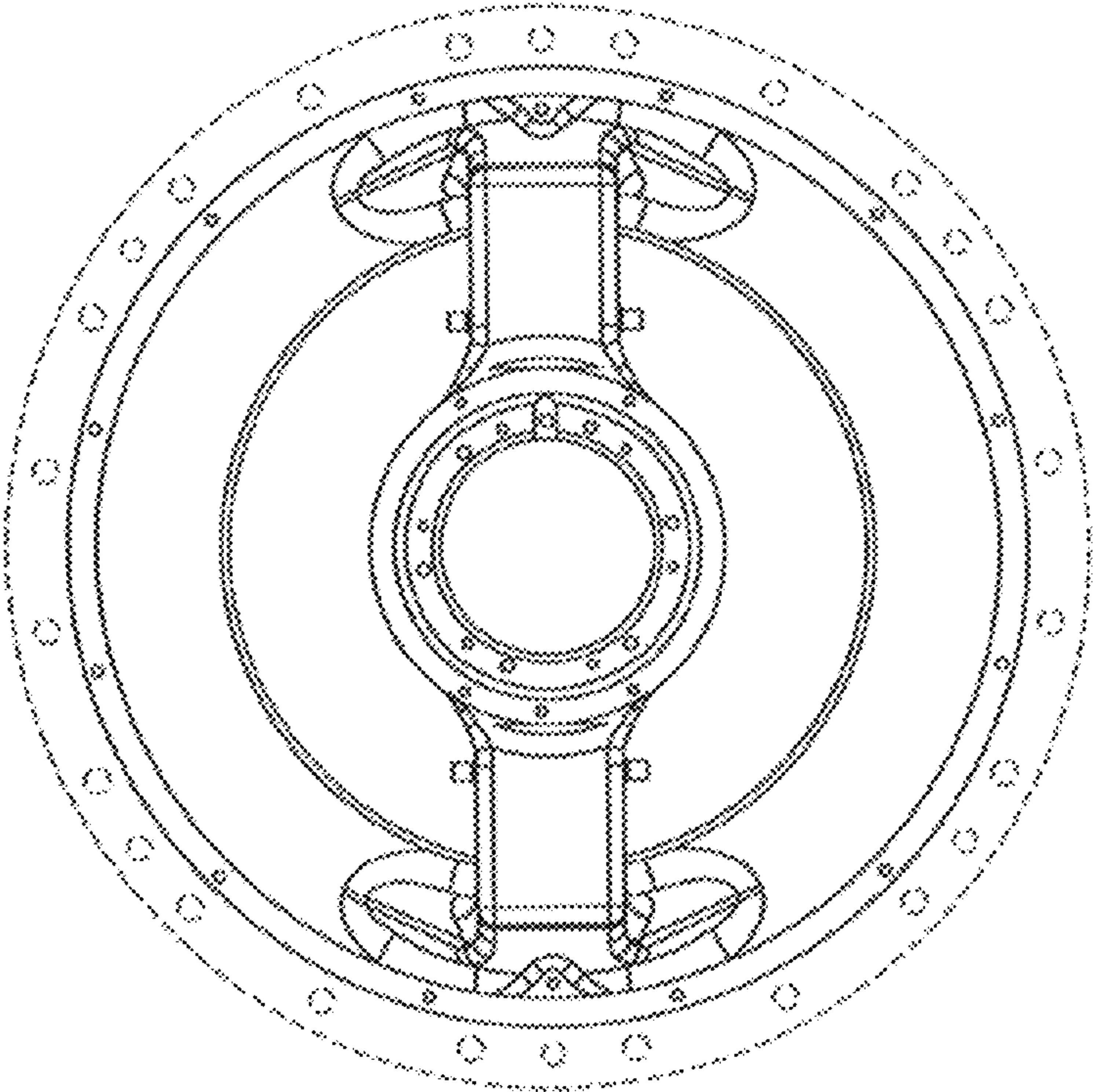


FIG. 13

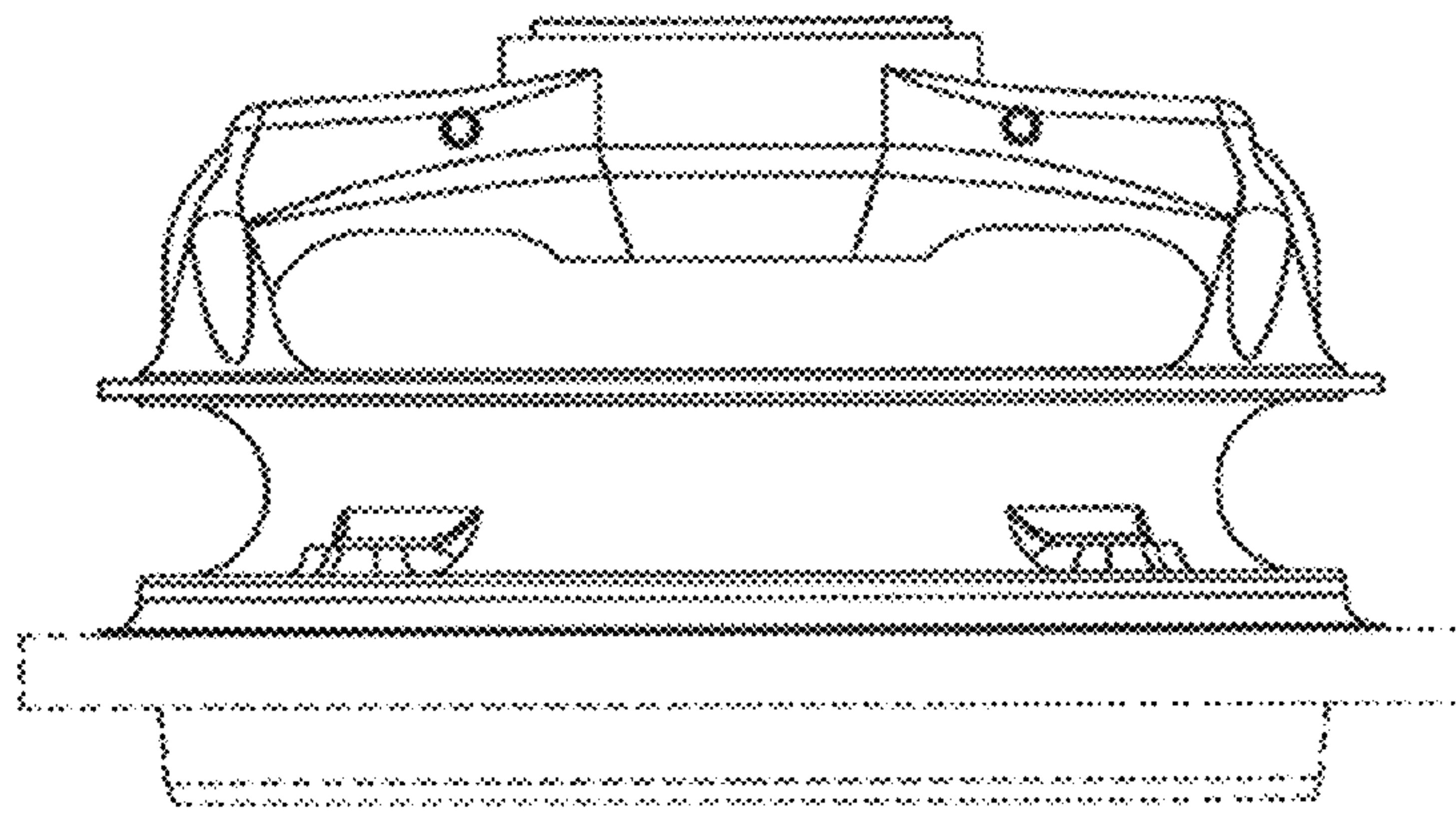


FIG. 14

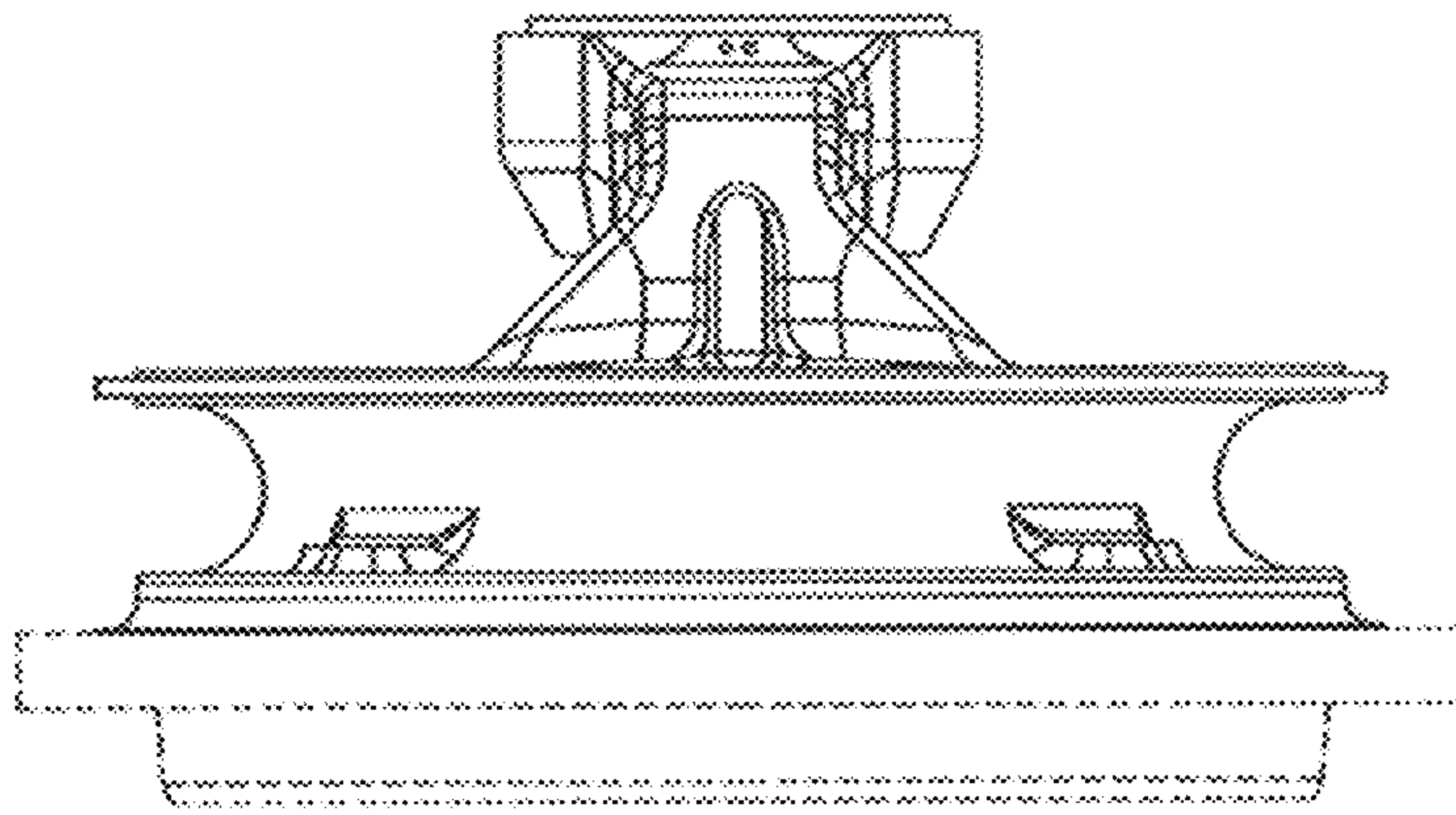


FIG. 15

UNITED STATES PATENT AND TRADEMARK OFFICE
CERTIFICATE OF CORRECTION

PATENT NO. : D716,853 S
APPLICATION NO. : 29/441719
DATED : November 4, 2014
INVENTOR(S) : Patric Malmqvist et al.

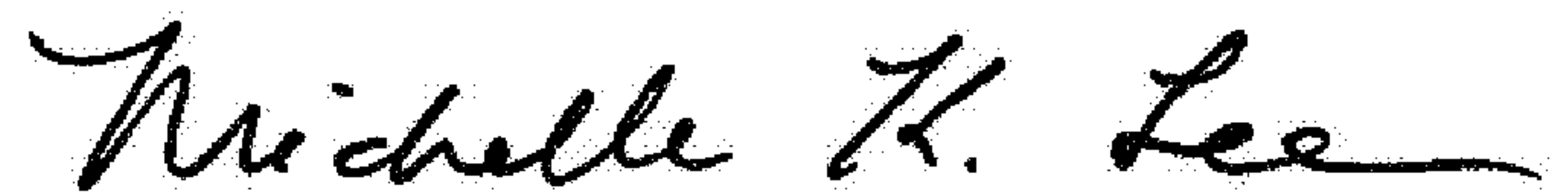
Page 1 of 1

It is certified that error appears in the above-identified patent and that said Letters Patent is hereby corrected as shown below:

On the Title Page

Item (73) Assignee should read:
Sandvik Intellectual Property AB

Signed and Sealed this
Twenty-first Day of March, 2017



Michelle K. Lee
Director of the United States Patent and Trademark Office