



US00D716850S

(12) **United States Design Patent**  
**Seo et al.**

(10) **Patent No.:** **US D716,850 S**  
(45) **Date of Patent:** **\*\* Nov. 4, 2014**

(54) **SHELF FOR REFRIGERATOR**

(71) Applicant: **LG Electronics Inc.**, Seoul (KR)

(72) Inventors: **Woonkyu Seo**, Seoul (KR); **Seonkyu Kim**, Seoul (KR); **Soomin Seo**, Seoul (KR); **Daesung Lee**, Gwangmyeong-si (KR)

(73) Assignee: **LG Electronics Inc.**, Seoul (KR)

(\*\*) Term: **14 Years**

(21) Appl. No.: **29/451,920**

(22) Filed: **Apr. 10, 2013**

(30) **Foreign Application Priority Data**

Oct. 11, 2012 (KR) ..... 30-2012-0048448

(51) **LOC (10) Cl.** ..... **15-07**

(52) **U.S. Cl.**  
USPC ..... **D15/89**

(58) **Field of Classification Search**  
USPC ..... D15/79-89, 91; 62/3.6, 125, 126, 187,  
62/246-255, 441-445; 312/116, 138.1,  
312/236, 321.5, 330.1, 400-409, 351,  
312/139.2, 128.3; 211/153, 90.02  
See application file for complete search history.

(56) **References Cited**

**U.S. PATENT DOCUMENTS**

4,685,575 A \* 8/1987 Kulbersh ..... 211/90.02  
D382,572 S \* 8/1997 Greenway et al. .... D15/89  
5,685,624 A \* 11/1997 Lee ..... 312/405.1  
D487,576 S \* 3/2004 Reed et al. .... D15/89  
D527,749 S \* 9/2006 Eveland et al. .... D15/89  
D572,732 S \* 7/2008 Baacke et al. .... D15/91  
D649,985 S \* 12/2011 Jeon et al. .... D15/89  
D661,325 S \* 6/2012 Yang et al. .... D15/89

D676,468 S \* 2/2013 Lee et al. .... D15/89  
2012/0234786 A1 \* 9/2012 Shinozaki ..... 211/153  
2013/0032560 A1 \* 2/2013 Gregory et al. .... 211/153

\* cited by examiner

*Primary Examiner* — Thomas Johannes

*Assistant Examiner* — Khawaja Anwar

(74) *Attorney, Agent, or Firm* — Birch, Stewart, Kolasch & Birch, LLP

(57) **CLAIM**

The ornamental design for a shelf for refrigerator, shown and described.

**DESCRIPTION**

FIG. 1 is a perspective view of a shelf for refrigerator showing our new design;

FIG. 2 is a front view thereof;

FIG. 3 is a rear view thereof;

FIG. 4 is a left side view thereof;

FIG. 5 is a right side view thereof;

FIG. 6 is a top plan view thereof;

FIG. 7 is a bottom plan view thereof;

FIG. 8 is a reference perspective view thereof showing the claimed article installed in an unclaimed environment;

FIG. 9 is a reference perspective view thereof showing the claimed article in an alternate position in the unclaimed environment;

FIG. 10 is a reference perspective view thereof showing the claimed article in a deconstructed position in the unclaimed environment; and,

FIG. 11 is a reference perspective view of FIG. 10 showing the claimed article in an alternate position in the unclaimed environment.

The broken lines in the drawings show unclaimed subject matter only and form no part of the claimed design.

**1 Claim, 11 Drawing Sheets**

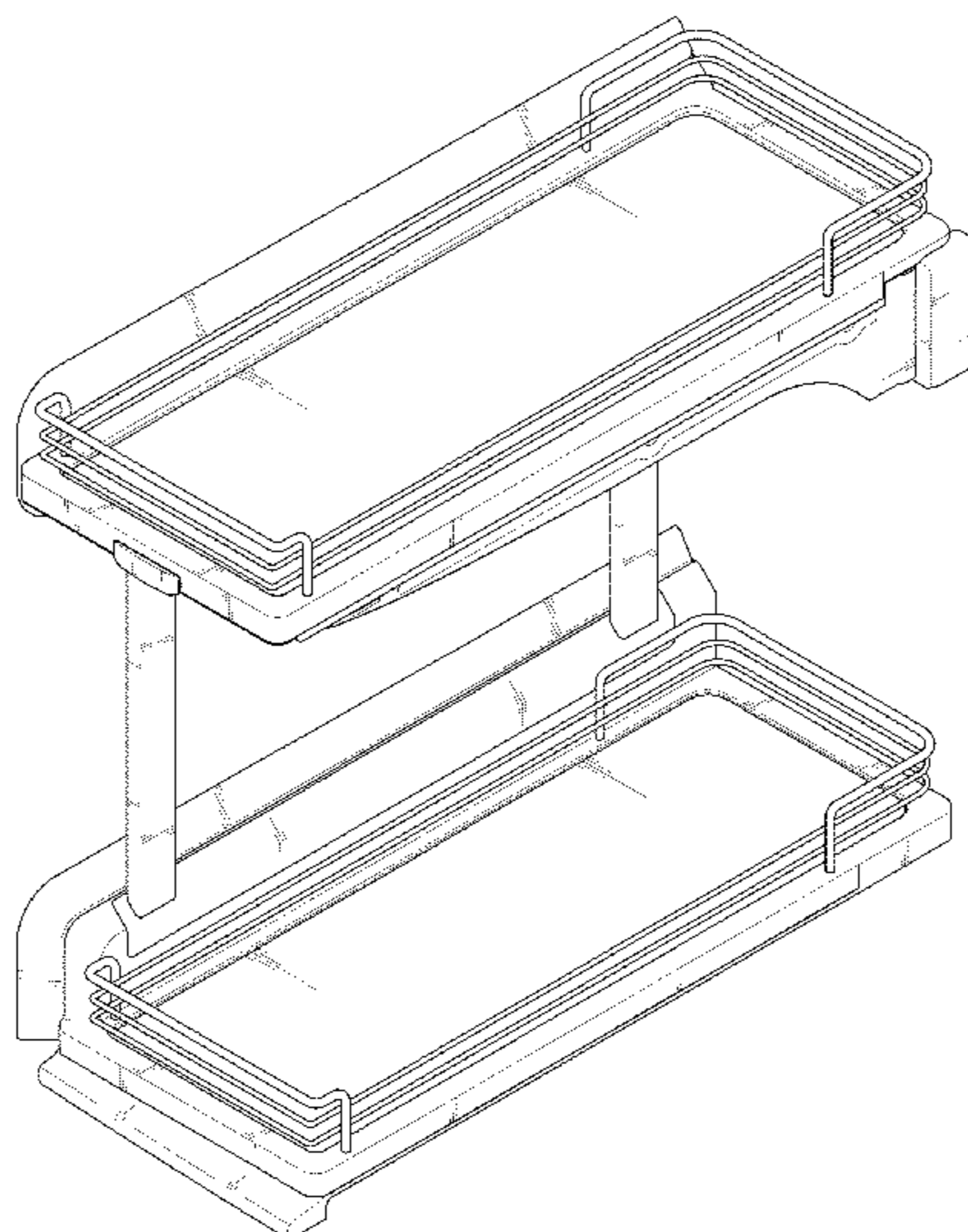


FIG. 1

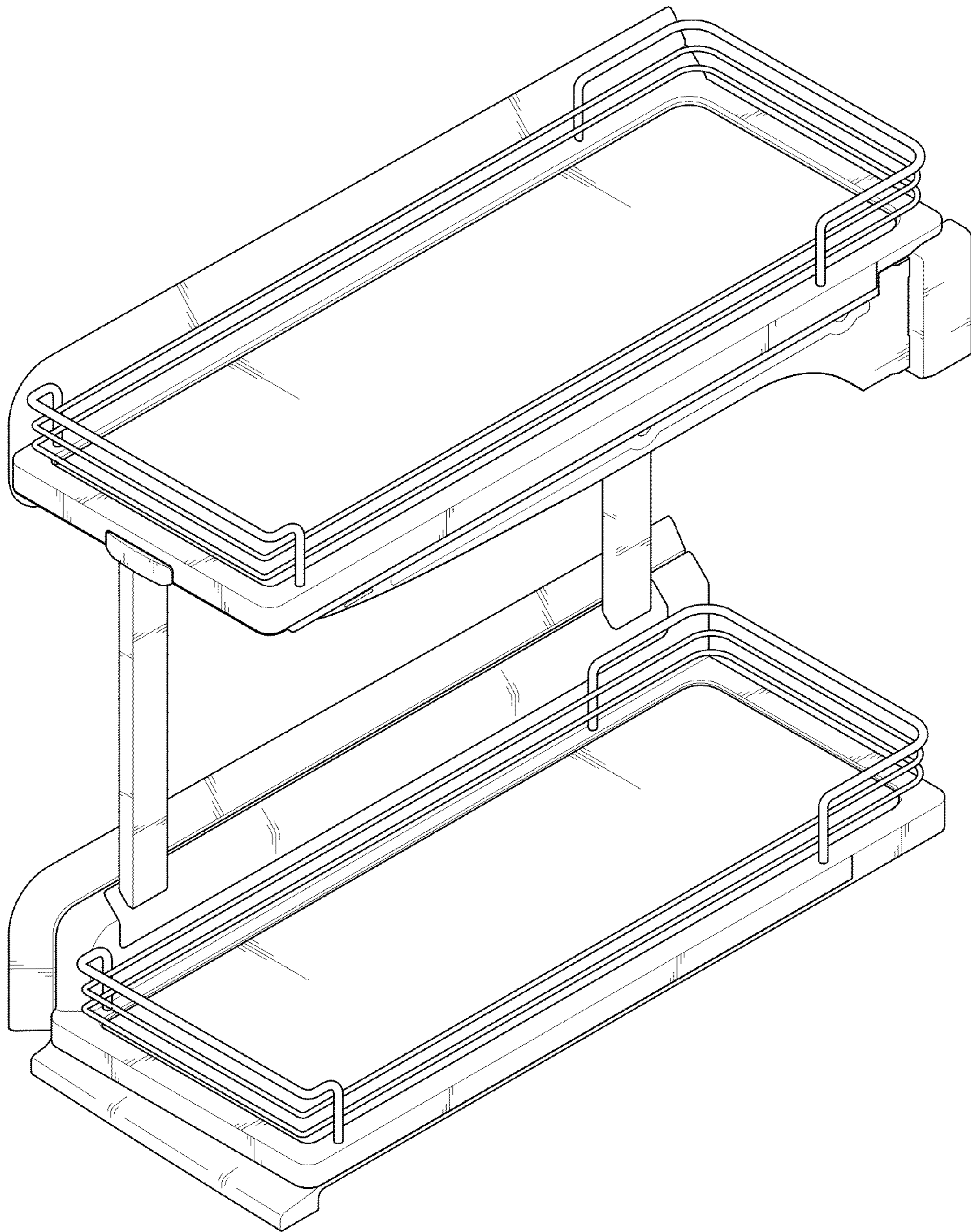


FIG. 2

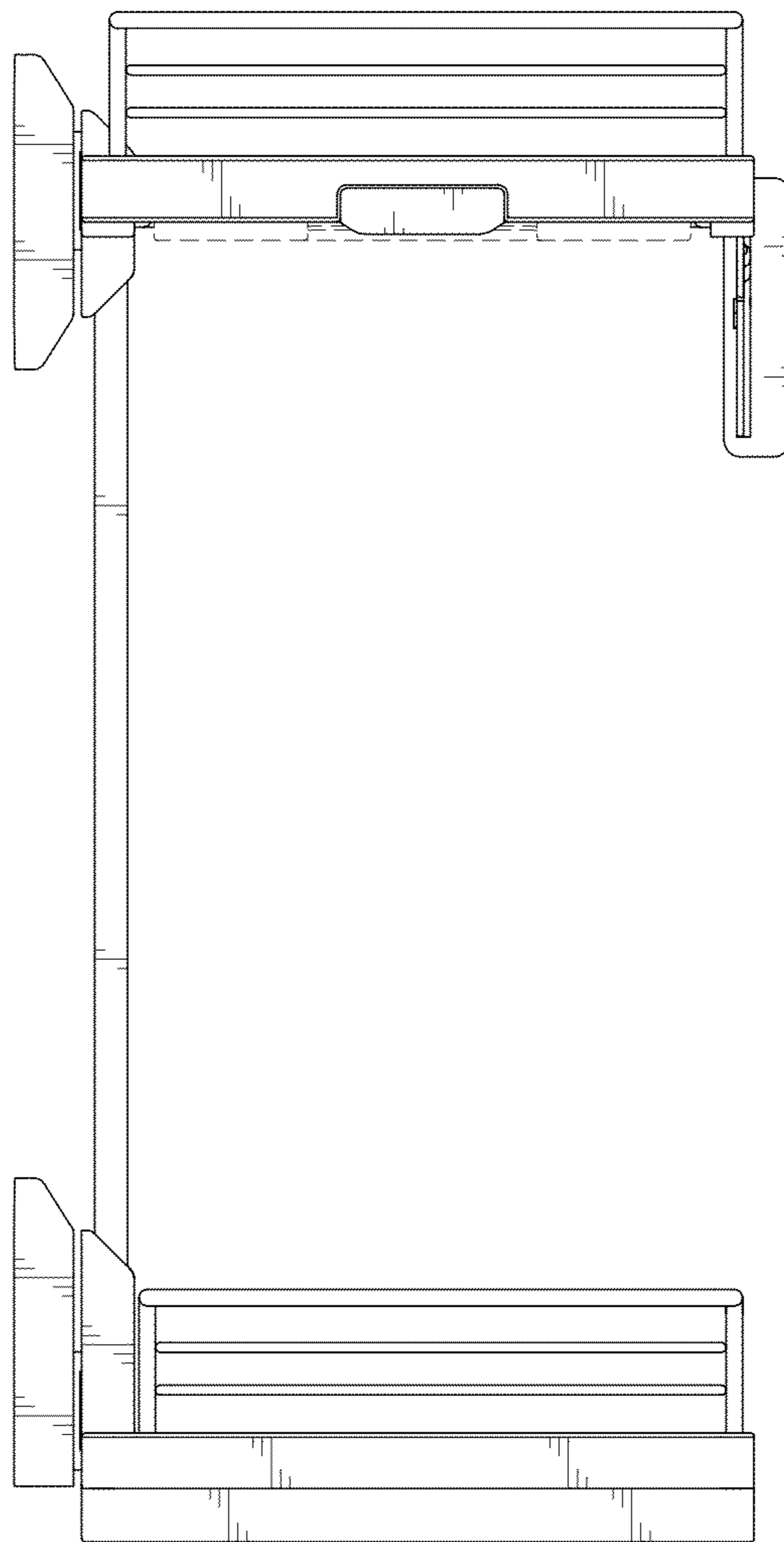


FIG. 3

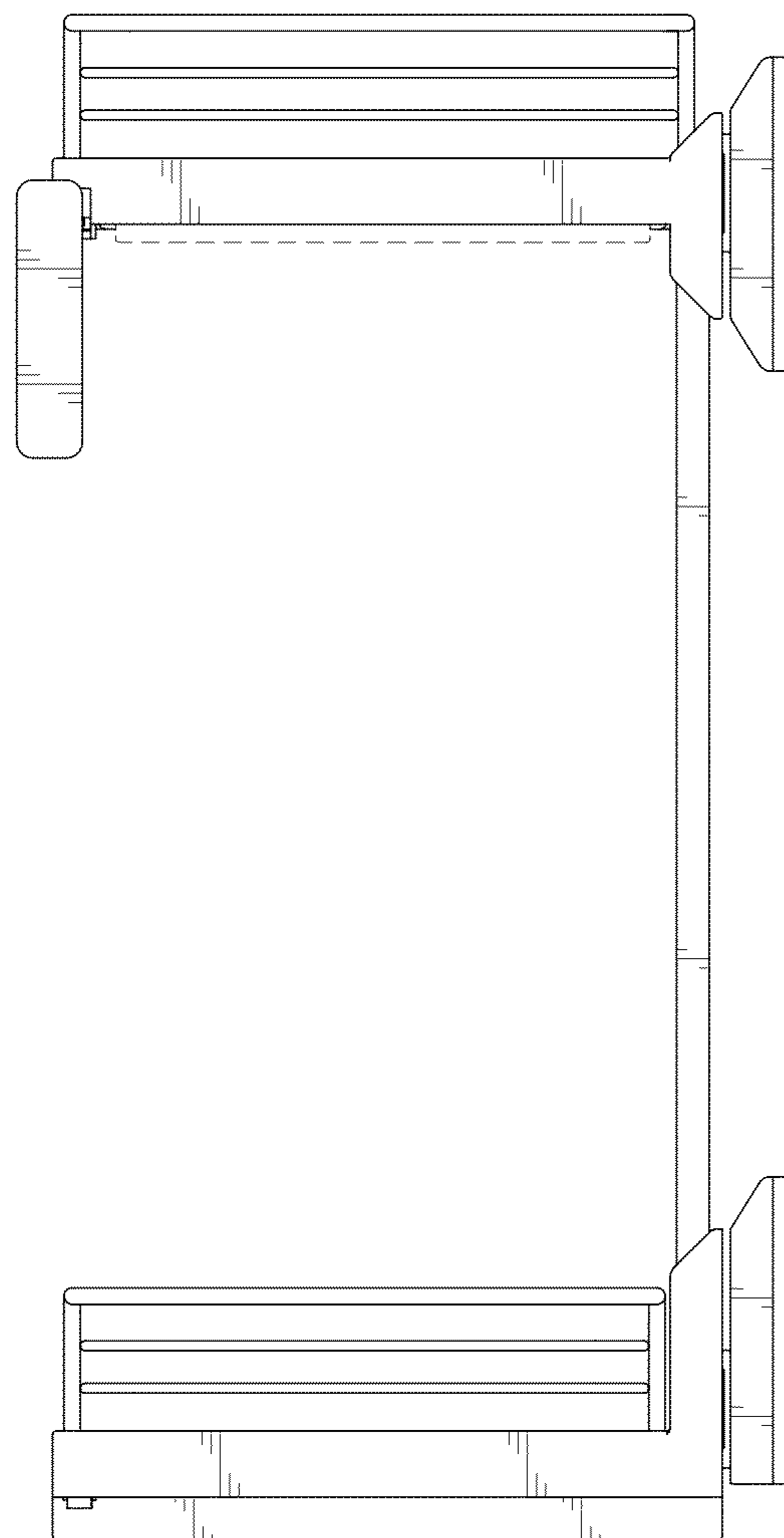


FIG. 4

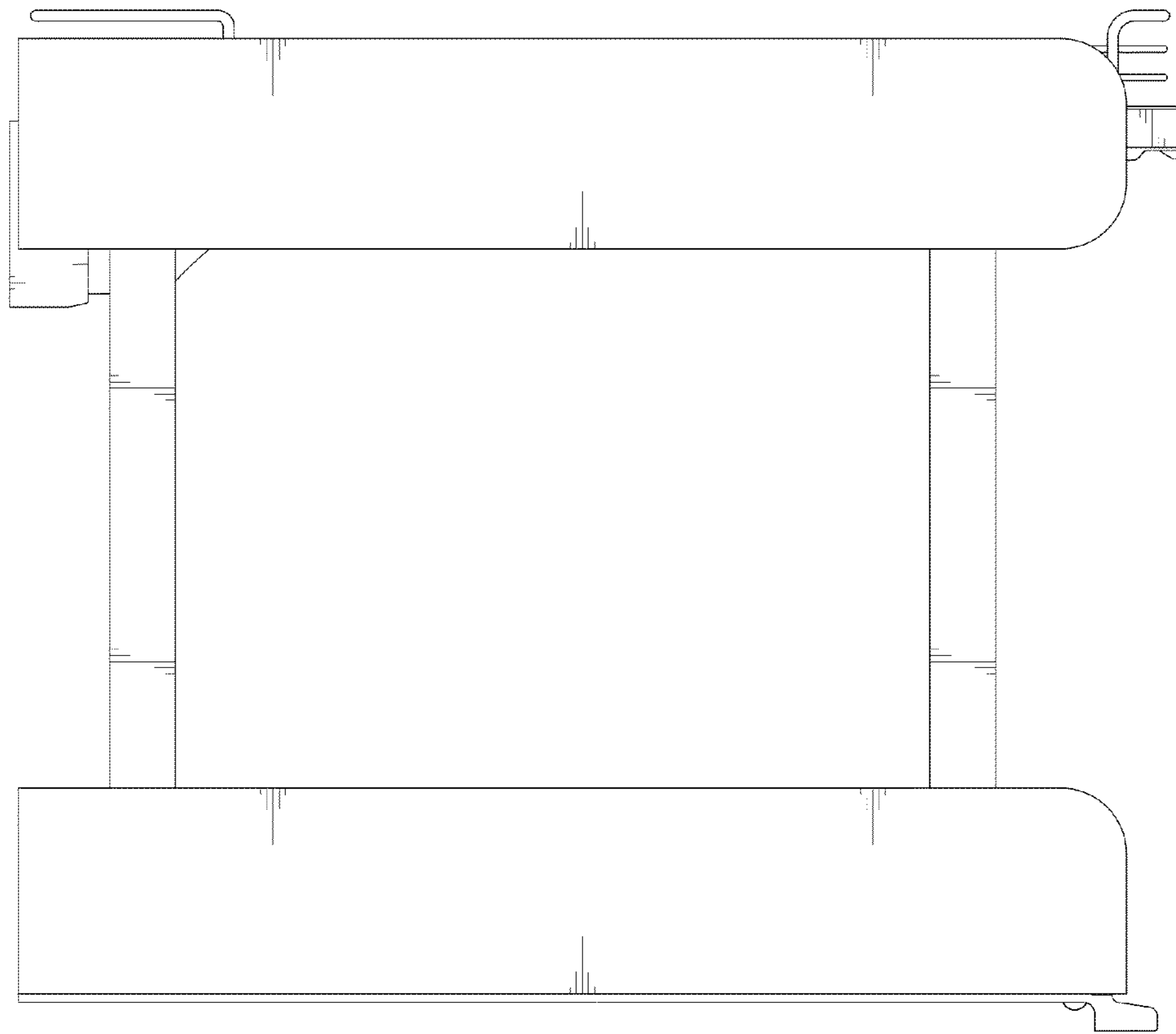




FIG. 5

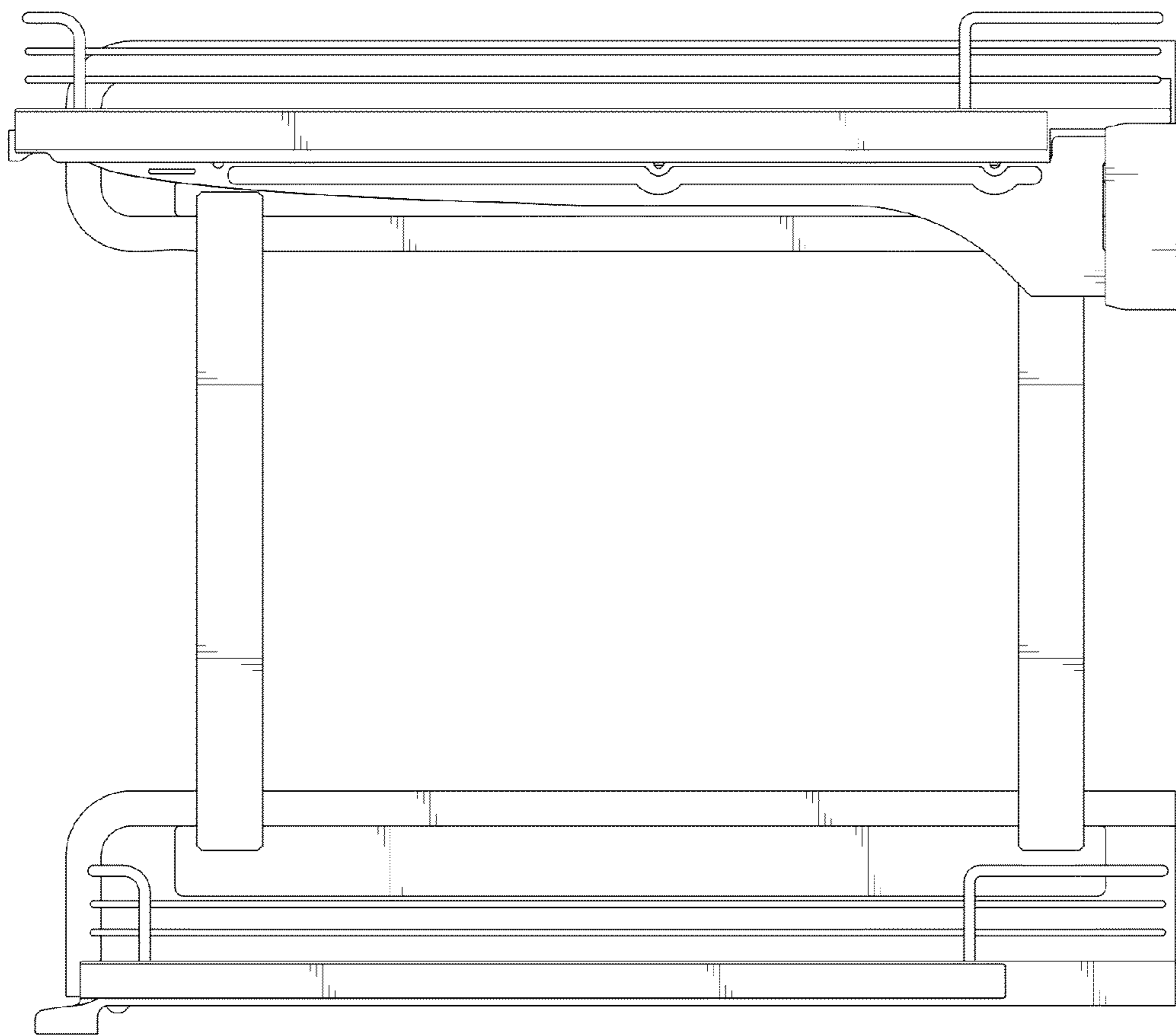


FIG. 6

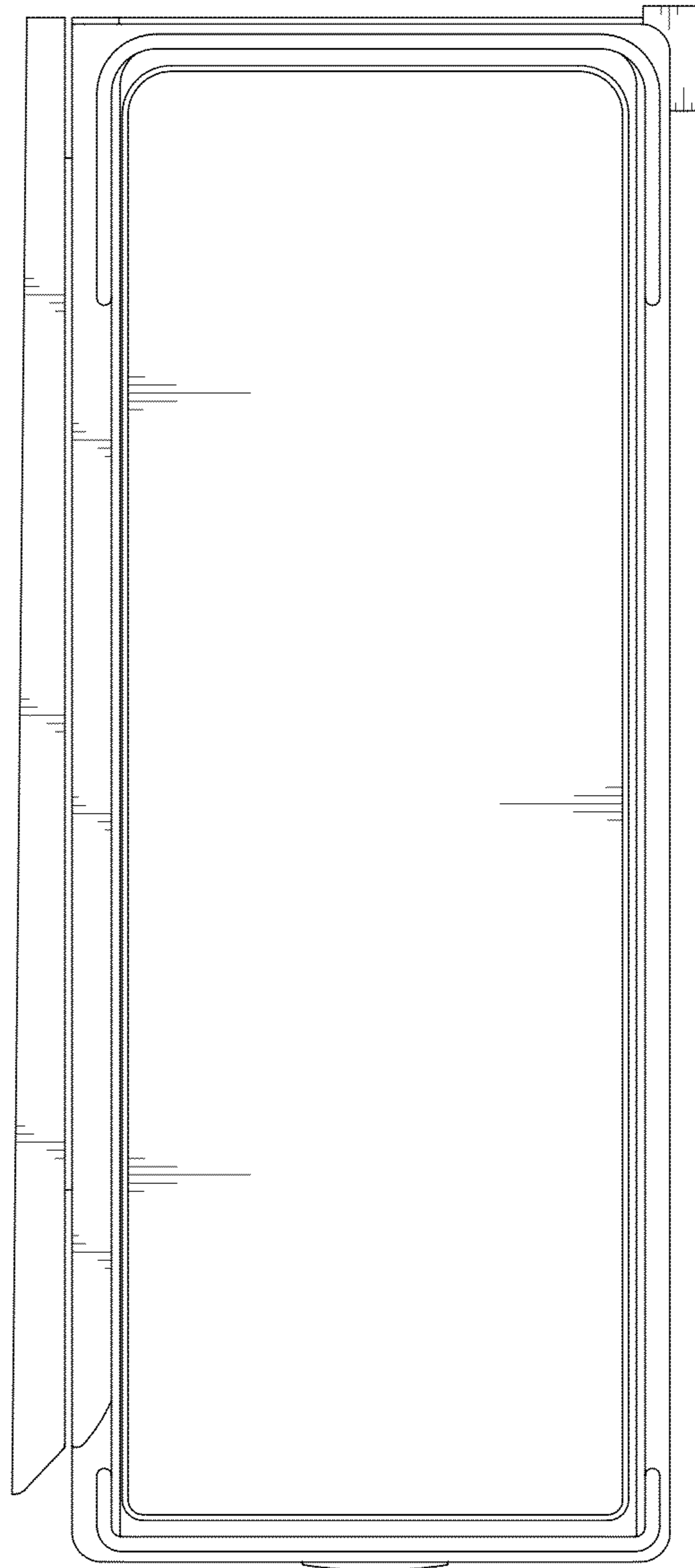


FIG. 7

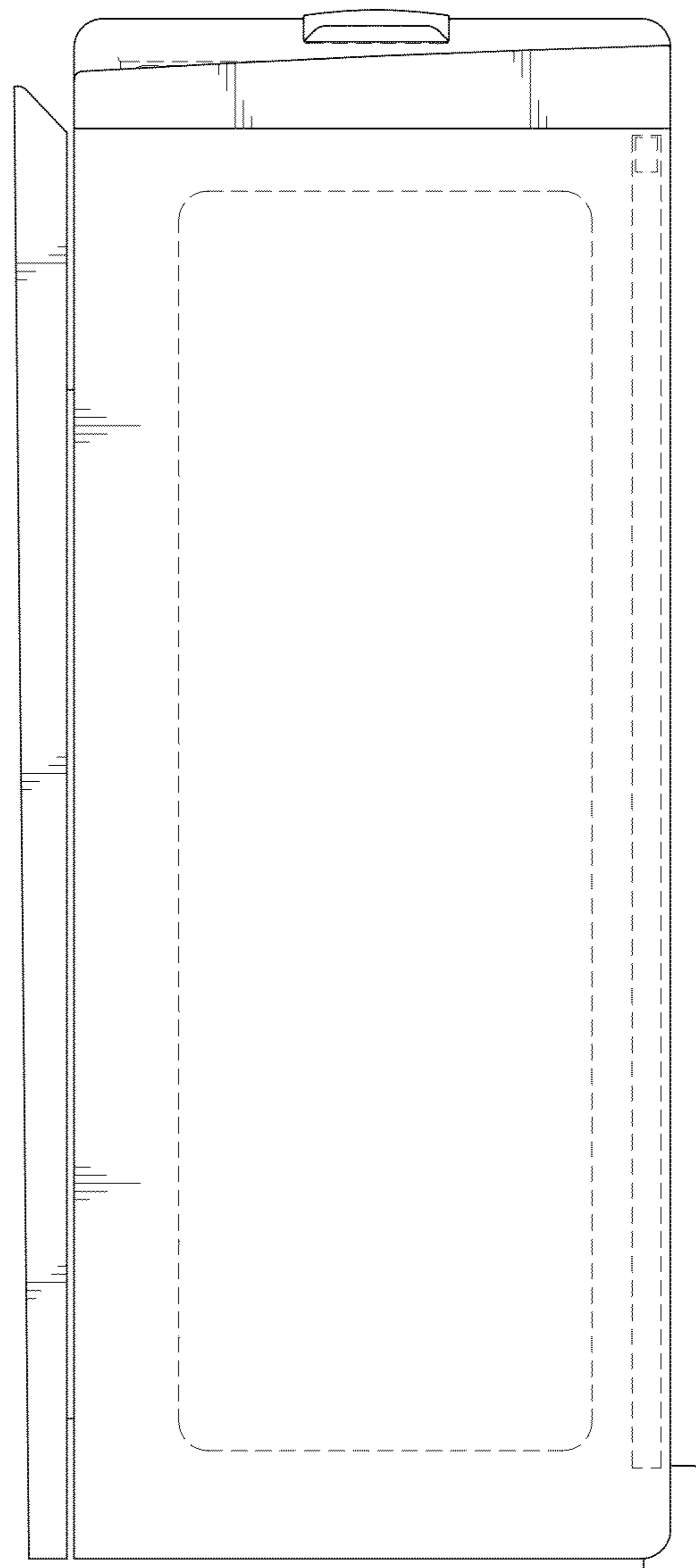




FIG. 8

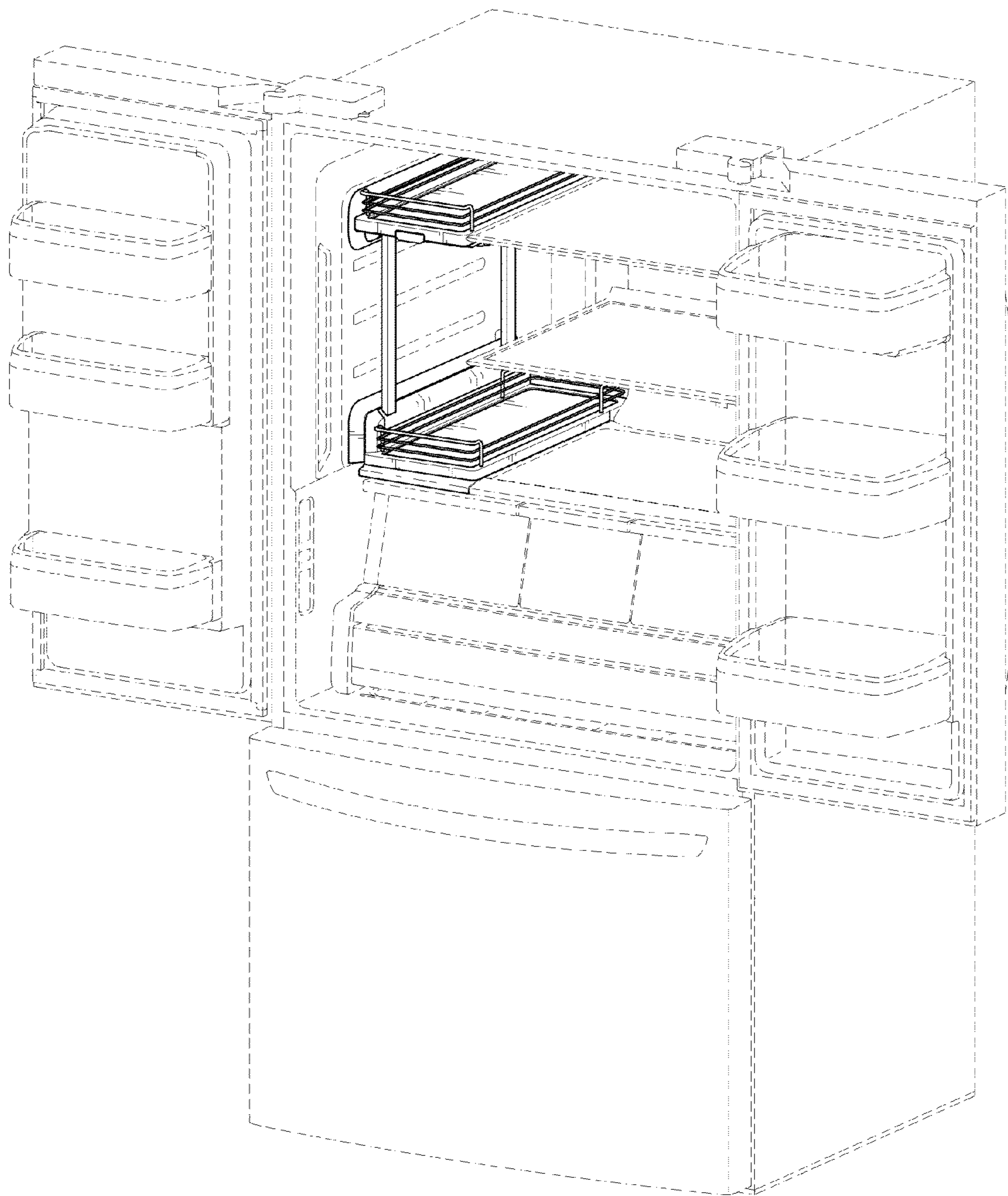


FIG. 9

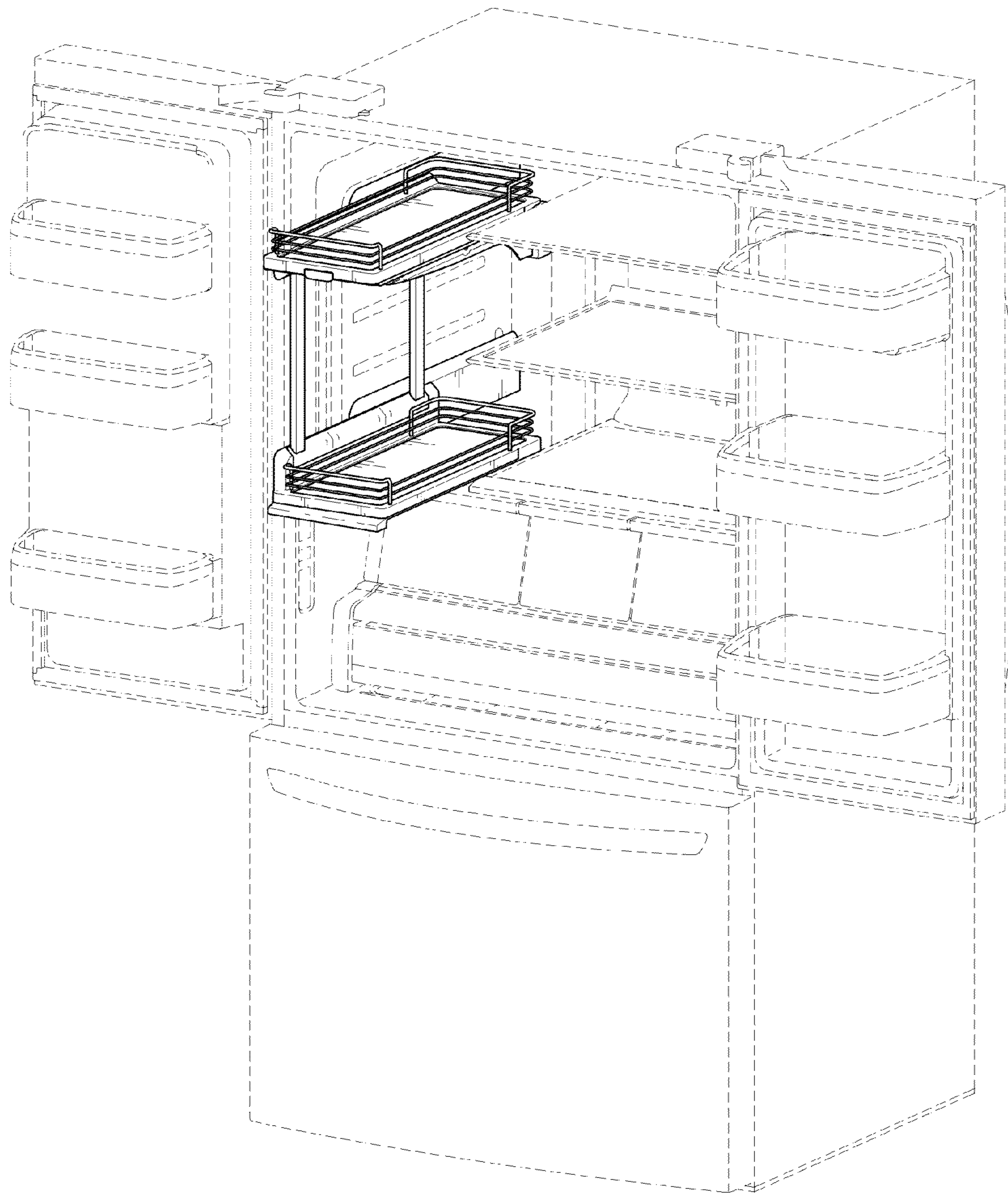


FIG. 10

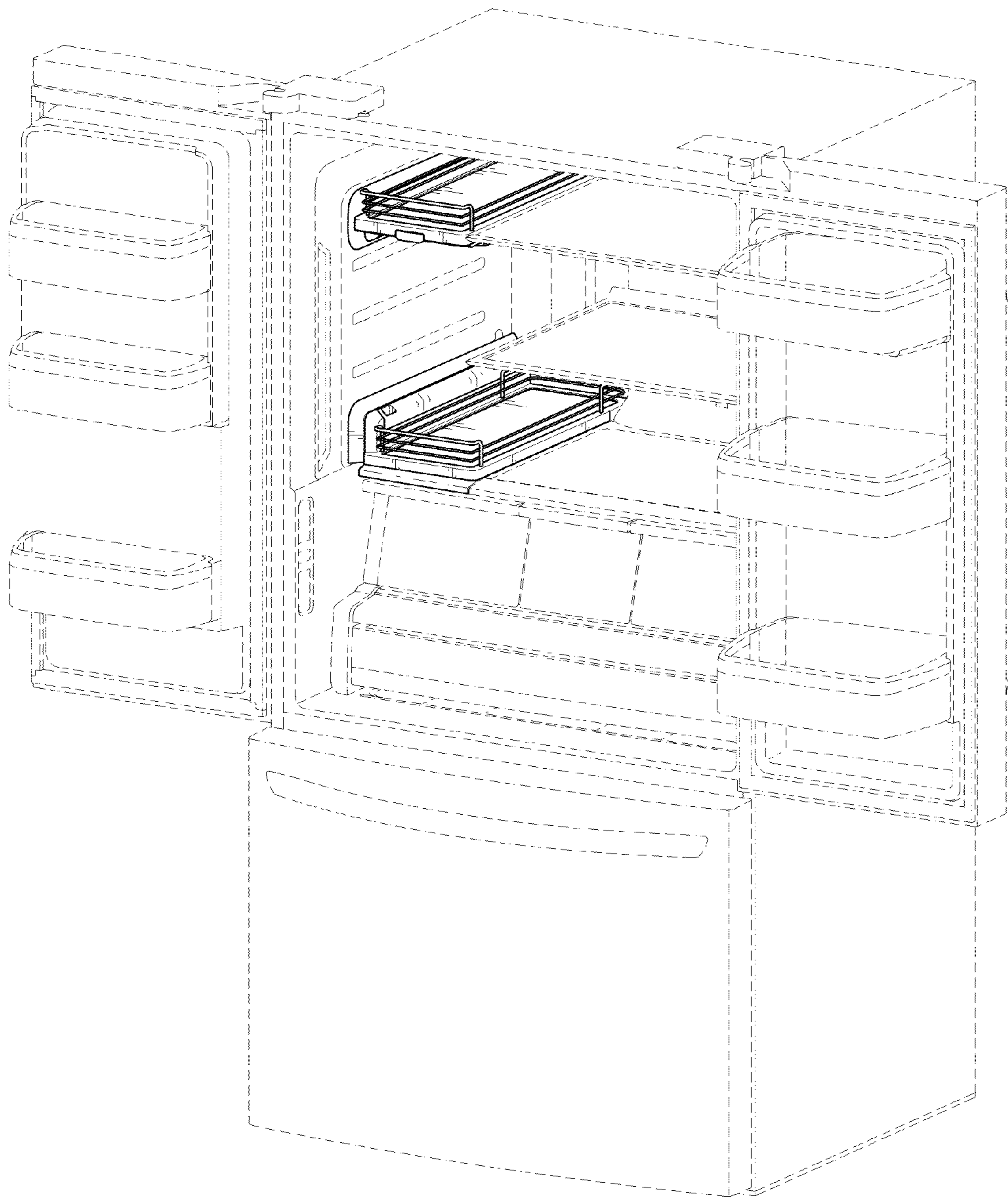


FIG. 11

