



US00D716848S

(12) **United States Design Patent**
Seo et al.

(10) **Patent No.:** **US D716,848 S**
(45) **Date of Patent:** **** Nov. 4, 2014**

- (54) **SHELF FOR REFRIGERATOR**
- (71) Applicant: **LG Electronics Inc.**, Seoul (KR)
- (72) Inventors: **Woonkyu Seo**, Seoul (KR); **Seonkyu Kim**, Seoul (KR); **Soomin Seo**, Seoul (KR); **Daesung Lee**, Gwangmyeong-si (KR)
- (73) Assignee: **LG Electronics Inc.**, Seoul (KR)
- (**) Term: **14 Years**
- (21) Appl. No.: **29/451,898**
- (22) Filed: **Apr. 10, 2013**
- (30) **Foreign Application Priority Data**
Oct. 11, 2012 (KR) 30-2012-0048430
- (51) **LOC (10) Cl.** **15-07**
- (52) **U.S. Cl.**
USPC **D15/89**
- (58) **Field of Classification Search**
USPC D15/79-89, 91; 62/3.6, 125, 126, 187, 62/246-255, 441-445; 312/116, 138.1, 312/236, 321.5, 330.1, 400-409, 351, 312/139.2, 128.3; 211/153, 90.02; D7/501
See application file for complete search history.

D557,293	S	*	12/2007	Vardon	D15/89
D559,280	S	*	1/2008	Vardon	D15/89
D559,281	S	*	1/2008	Vardon	D15/89
D559,282	S	*	1/2008	Vardon	D15/89
D562,854	S	*	2/2008	Vardon	D15/89
D612,405	S	*	3/2010	Eicher	D15/89
D613,316	S	*	4/2010	Schmidt	D15/89
D694,292	S	*	11/2013	Eby et al.	D15/89
2003/0117051	A1	*	6/2003	Kweon	312/408
2005/0062380	A1	*	3/2005	Park et al.	312/408

* cited by examiner

Primary Examiner — Thomas Johannes
Assistant Examiner — Khawaja Anwar

(74) *Attorney, Agent, or Firm* — Birch, Stewart, Kolasch & Birch, LLP

(57) **CLAIM**

The ornamental design for a shelf for refrigerator, shown and described.

DESCRIPTION

FIG. 1 is a perspective view of a shelf for refrigerator showing our new design;
 FIG. 2 is a front view thereof;
 FIG. 3 is a rear view thereof;
 FIG. 4 is a left side view thereof;
 FIG. 5 is a right side view thereof;
 FIG. 6 is a top plan view thereof;
 FIG. 7 is a bottom plan view thereof; and,
 FIG. 8 is a reference perspective view thereof showing the claimed article in a usage position installed in an unclaimed environment.

The broken lines in the drawings show unclaimed environment only and form no part of the claimed design.

1 Claim, 8 Drawing Sheets

- (56) **References Cited**
U.S. PATENT DOCUMENTS
D309,461 S * 7/1990 Bussan et al. D15/89
D517,102 S * 3/2006 Vardon D15/89
D525,269 S * 7/2006 Vardon D15/89

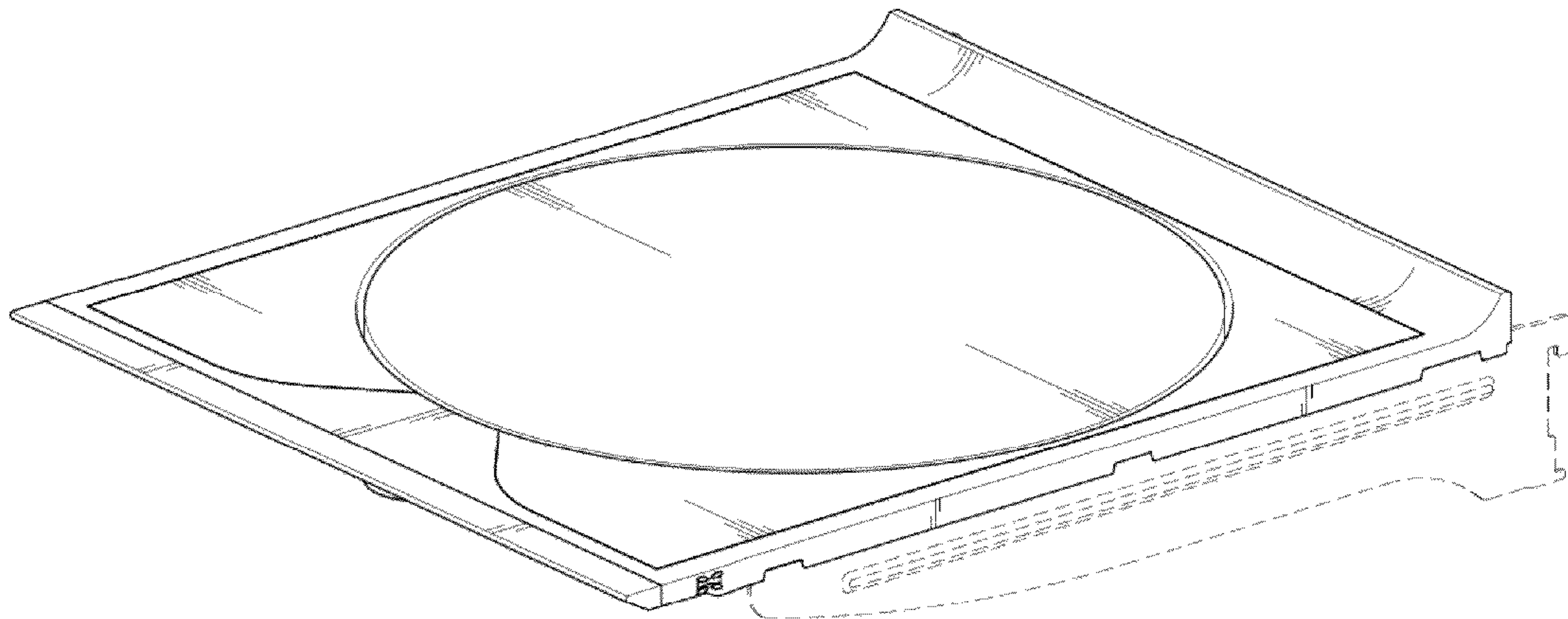


FIG. 1

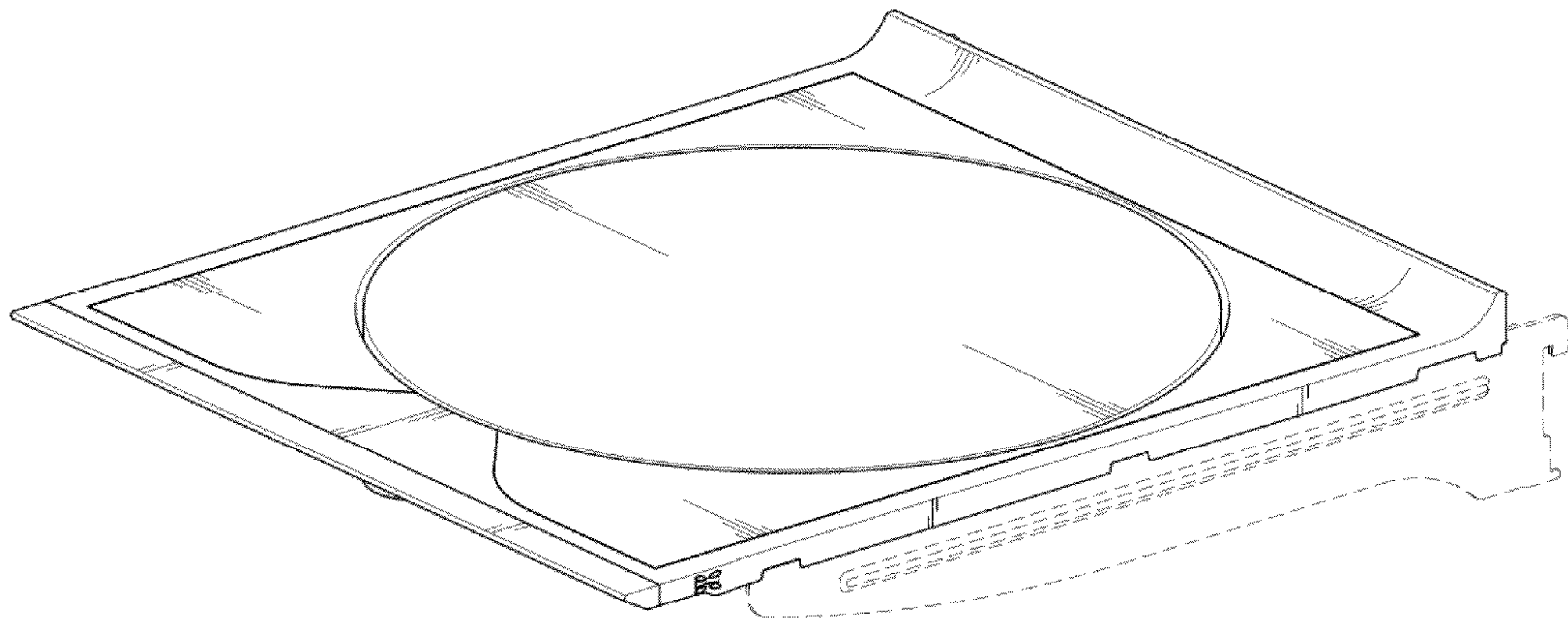


FIG. 2

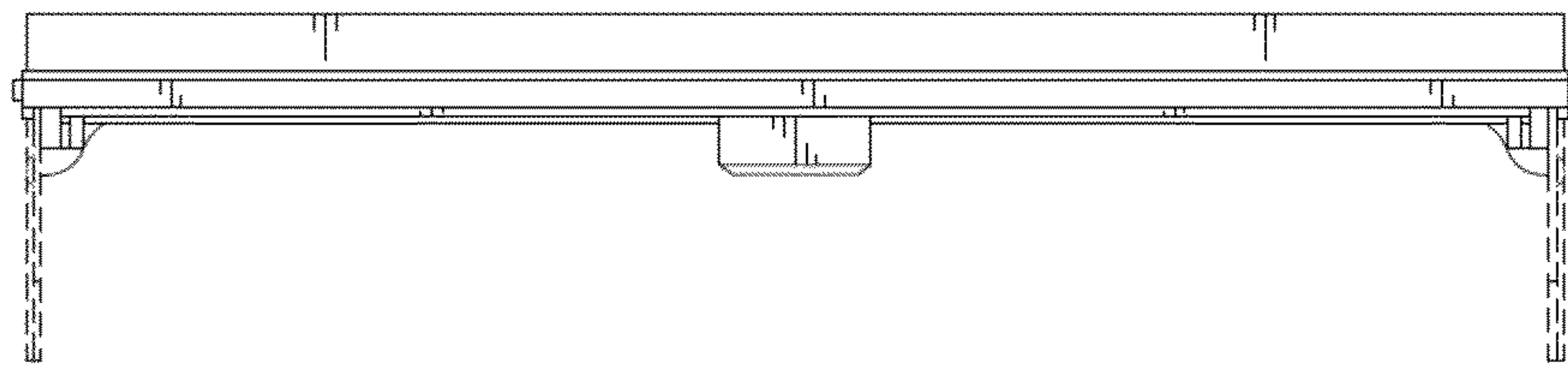


FIG. 3

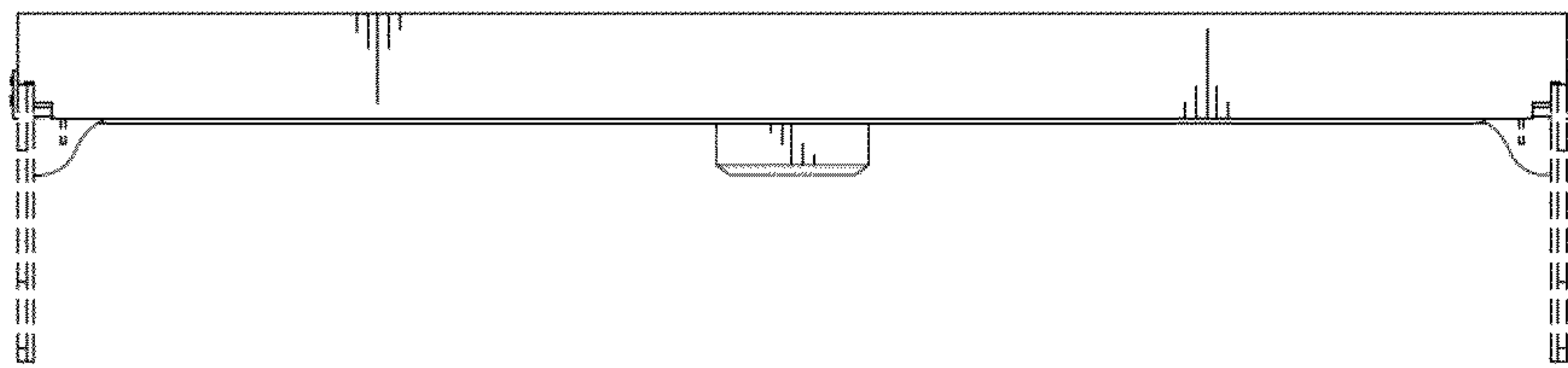


FIG. 4

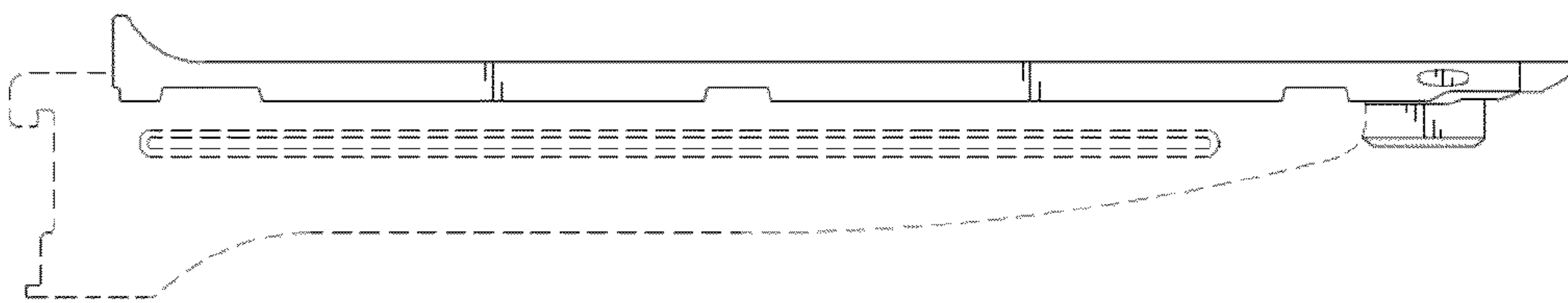


FIG. 5

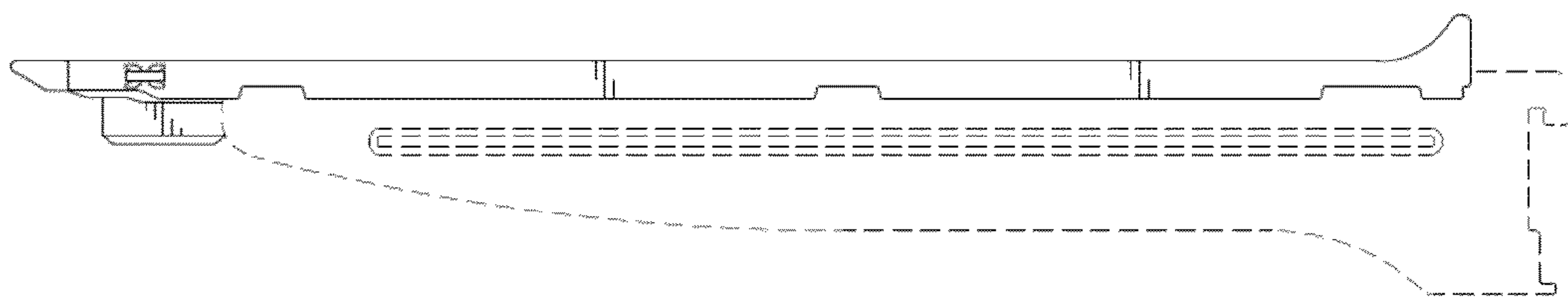


FIG. 6

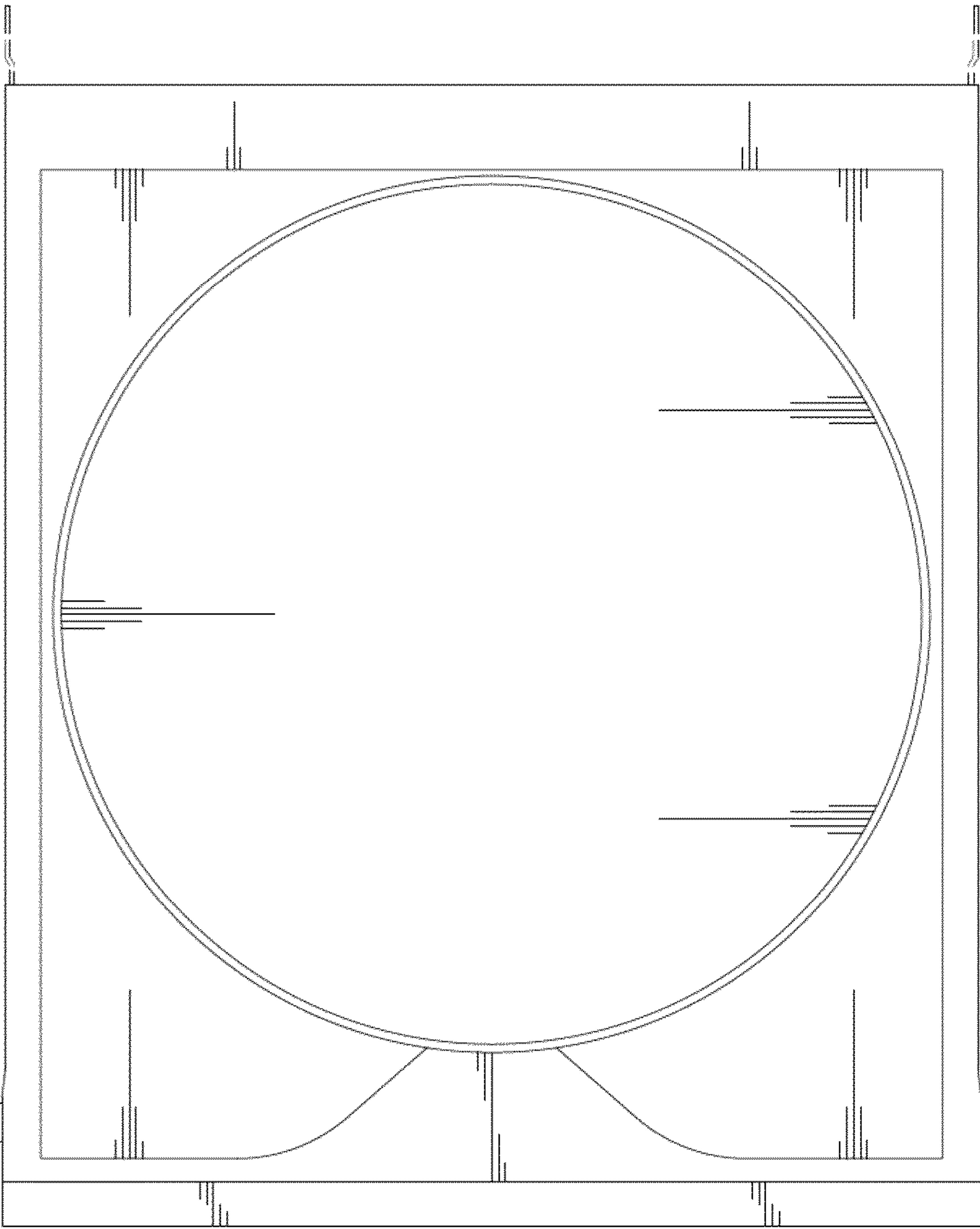


FIG. 7

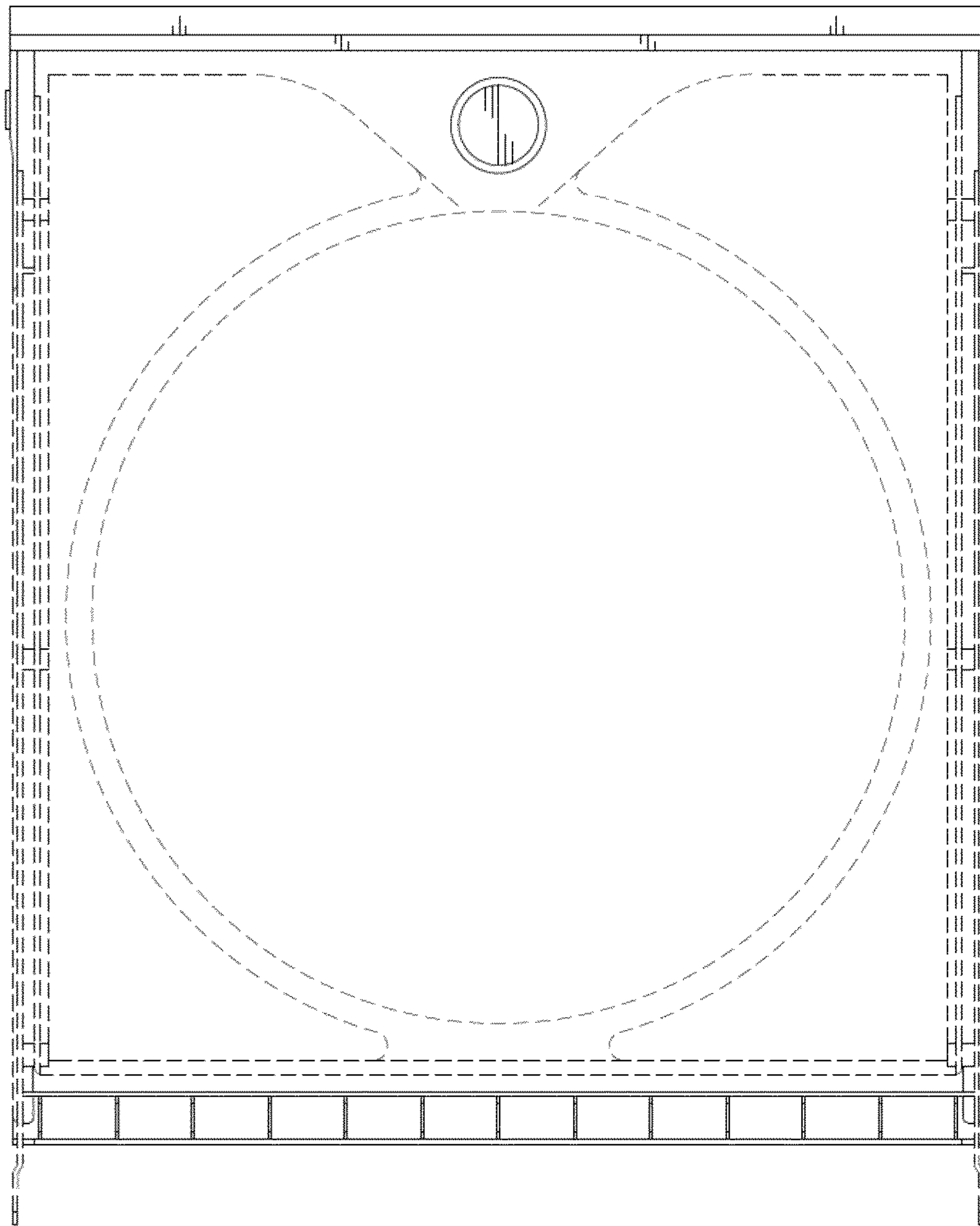


FIG. 8

