



US00D716844S

(12) **United States Design Patent**
Hayami et al.

(10) **Patent No.:** **US D716,844 S**
(45) **Date of Patent:** **** Nov. 4, 2014**

(54) **EXCAVATOR**

(71) Applicant: **Yanmar Co., Ltd.**, Osaka (JP)

(72) Inventors: **Yoshihiro Hayami**, Chikugo (JP);
Masamitsu Uemura, Chikugo (JP);
Masataka Miyoshi, Chikugo (JP);
Hisayuki Ishii, Chikugo (JP); **Masaru Shimada**, Chikugo (JP)

(73) Assignee: **Yanmar Co., Ltd.** (JP)

(**) Term: **14 Years**

(21) Appl. No.: **29/480,490**

(22) Filed: **Jan. 27, 2014**

(30) **Foreign Application Priority Data**

Jul. 29, 2013 (JP) 2013-017222

(51) **LOC (10) Cl.** **12-09**

(52) **U.S. Cl.**
USPC **D15/25**; D15/24

(58) **Field of Classification Search**
USPC D15/10, 22-26, 28, 30; 180/89.1,
180/89.12, 89.13, 900, 9.1, 9.2, 9.62;
37/379; 414/694, 699, 722-724, 660,
414/685, 698, 719, 743
See application file for complete search history.

(56) **References Cited**

U.S. PATENT DOCUMENTS

3,608,756	A *	9/1971	Guinot	414/694
3,674,162	A *	7/1972	Smith	414/694
4,728,251	A *	3/1988	Takashima et al.	414/694
D309,313	S *	7/1990	Takashima et al.	D15/25
D312,468	S *	11/1990	Masumoto et al.	D15/25
D354,497	S *	1/1995	Kusunoki et al.	D15/25

D387,360	S *	12/1997	Ishizaki et al.	D15/25
D431,253	S *	9/2000	Marchetta et al.	D15/25
D440,235	S *	4/2001	Kuwae et al.	D15/25
D450,717	S *	11/2001	Muraro	D15/25
D458,941	S *	6/2002	Miyanishi et al.	D15/25
D460,462	S *	7/2002	Miyanishi et al.	D15/25
D460,974	S *	7/2002	Murakami et al.	D15/25
D462,973	S *	9/2002	Tamaru et al.	D15/25
D462,974	S *	9/2002	Yanagida et al.	D15/25
D463,455	S *	9/2002	Yanagida et al.	D15/25
D473,571	S *	4/2003	Kuwae et al.	D15/25
D474,481	S *	5/2003	Hara	D15/25
D508,498	S *	8/2005	Shimokakiuchi et al.	D15/24
D509,514	S *	9/2005	Shimokakiuchi et al.	D15/24
D511,531	S *	11/2005	Sewell et al.	D15/24
D518,071	S *	3/2006	Gwak et al.	D15/25
D527,027	S *	8/2006	Smith et al.	D15/24
D534,552	S *	1/2007	Yanagida	D15/25
D538,304	S *	3/2007	Uemura	D15/25
D538,827	S *	3/2007	Uemura	D15/25
D555,675	S *	11/2007	Matsubara et al.	D15/25

(Continued)

Primary Examiner — Mark Goodwin

(74) *Attorney, Agent, or Firm* — Sterne, Kessler, Goldstein & Fox P.L.L.C.

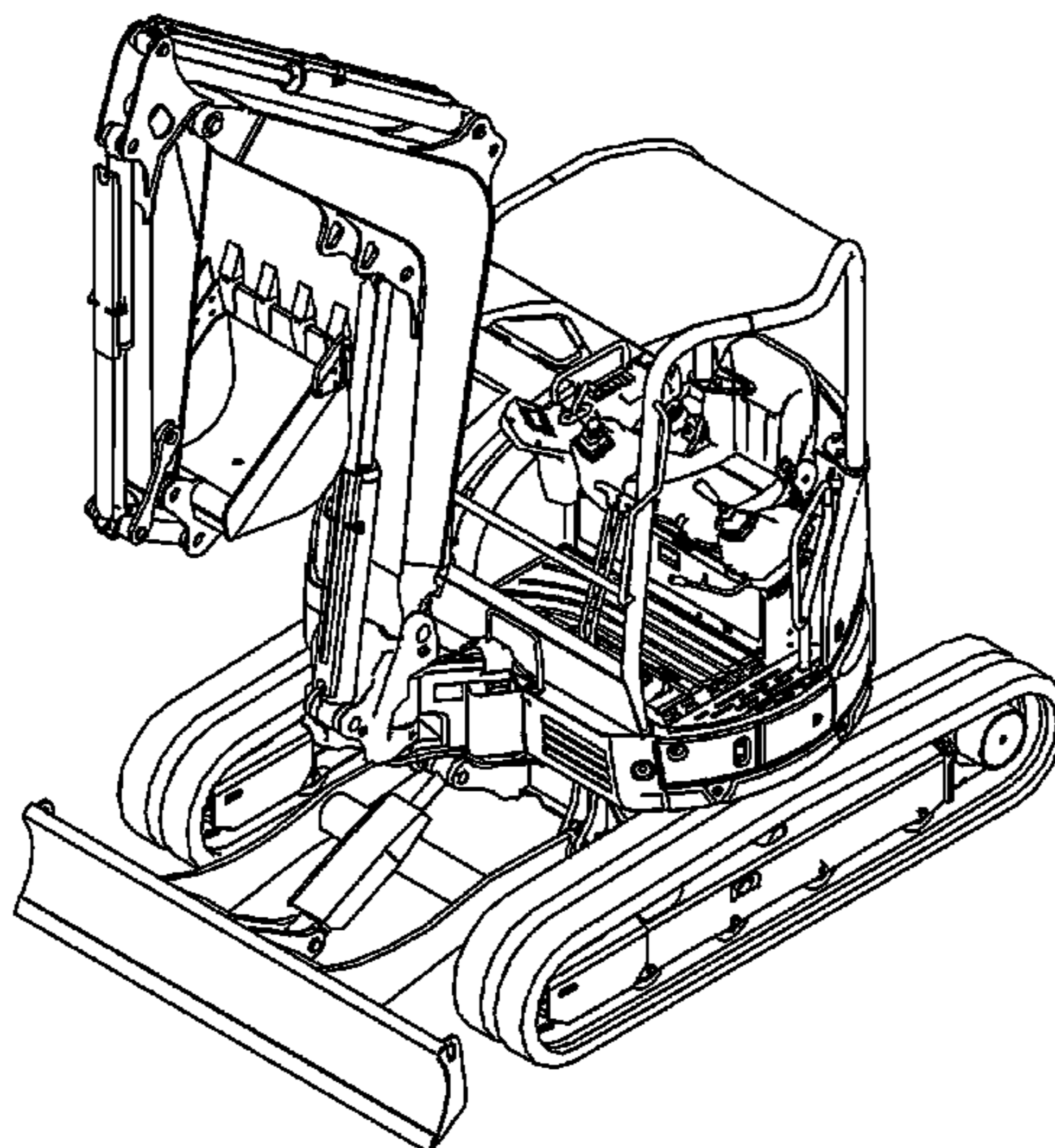
(57) **CLAIM**

The ornamental design for an excavator, as shown and described.

DESCRIPTION

FIG. 1 is a top front perspective view of an excavator showing our new design;
FIG. 2 is a top rear perspective view thereof;
FIG. 3 is a front view thereof;
FIG. 4 is a rear view thereof;
FIG. 5 is a top plan view thereof;
FIG. 6 is a bottom plan view thereof;
FIG. 7 is a left side view thereof; and,
FIG. 8 is a right side view thereof.

1 Claim, 8 Drawing Sheets



US D716,844 S

Page 2

(56)

References Cited

U.S. PATENT DOCUMENTS

D561,785 S * 2/2008 Imashige et al. D15/24
D576,180 S * 9/2008 Kuwae et al. D15/25
D594,883 S * 6/2009 Ikeda et al. D15/25

D609,252 S * 2/2010 Shimada et al. D15/25
D633,926 S * 3/2011 Shimada et al. D15/25
D687,865 S * 8/2013 Hatanaka et al. D15/24
D692,924 S * 11/2013 Hatanaka et al. D15/24
D707,261 S * 6/2014 Caboret et al. D15/24

* cited by examiner

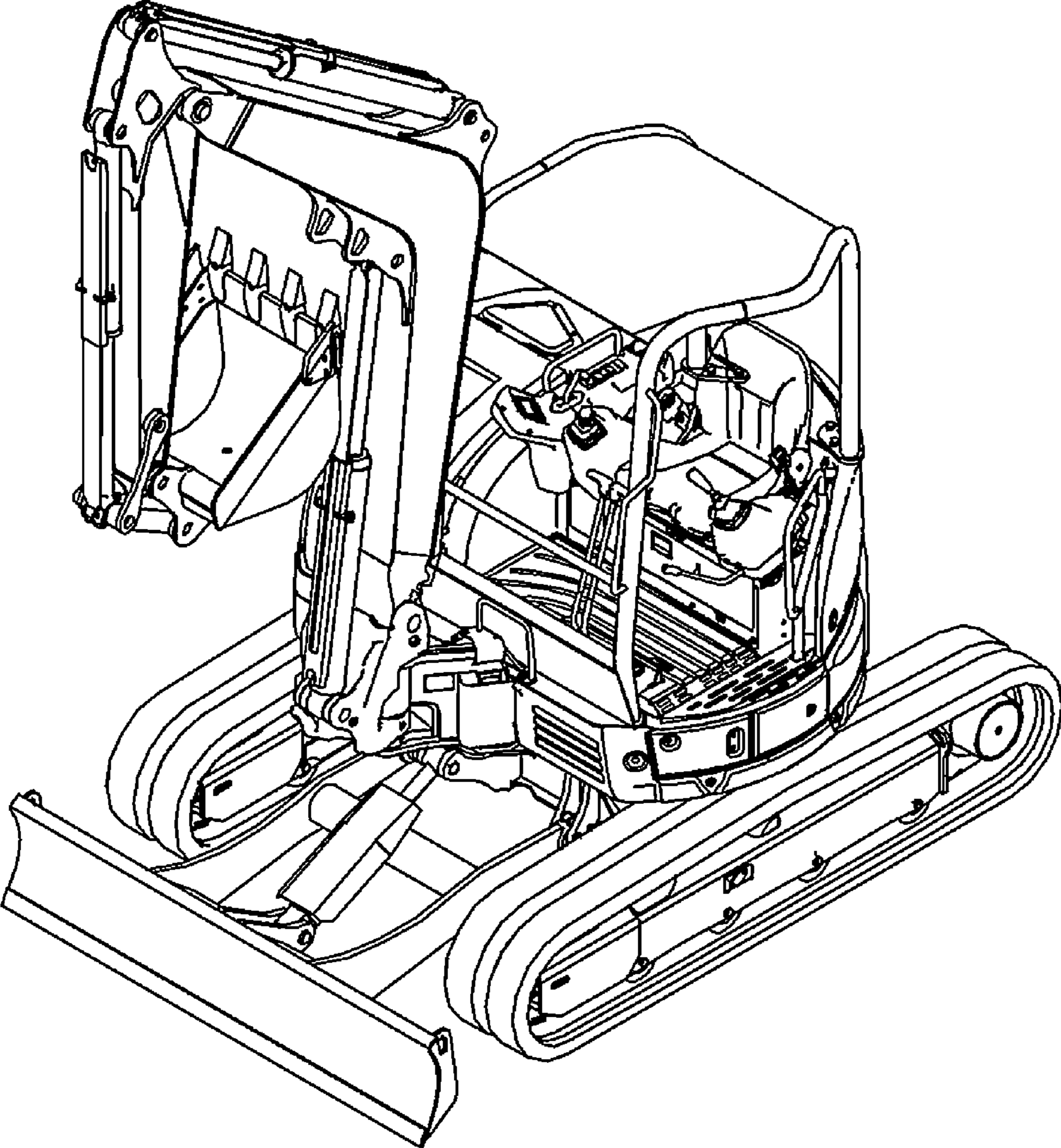


FIG. 1

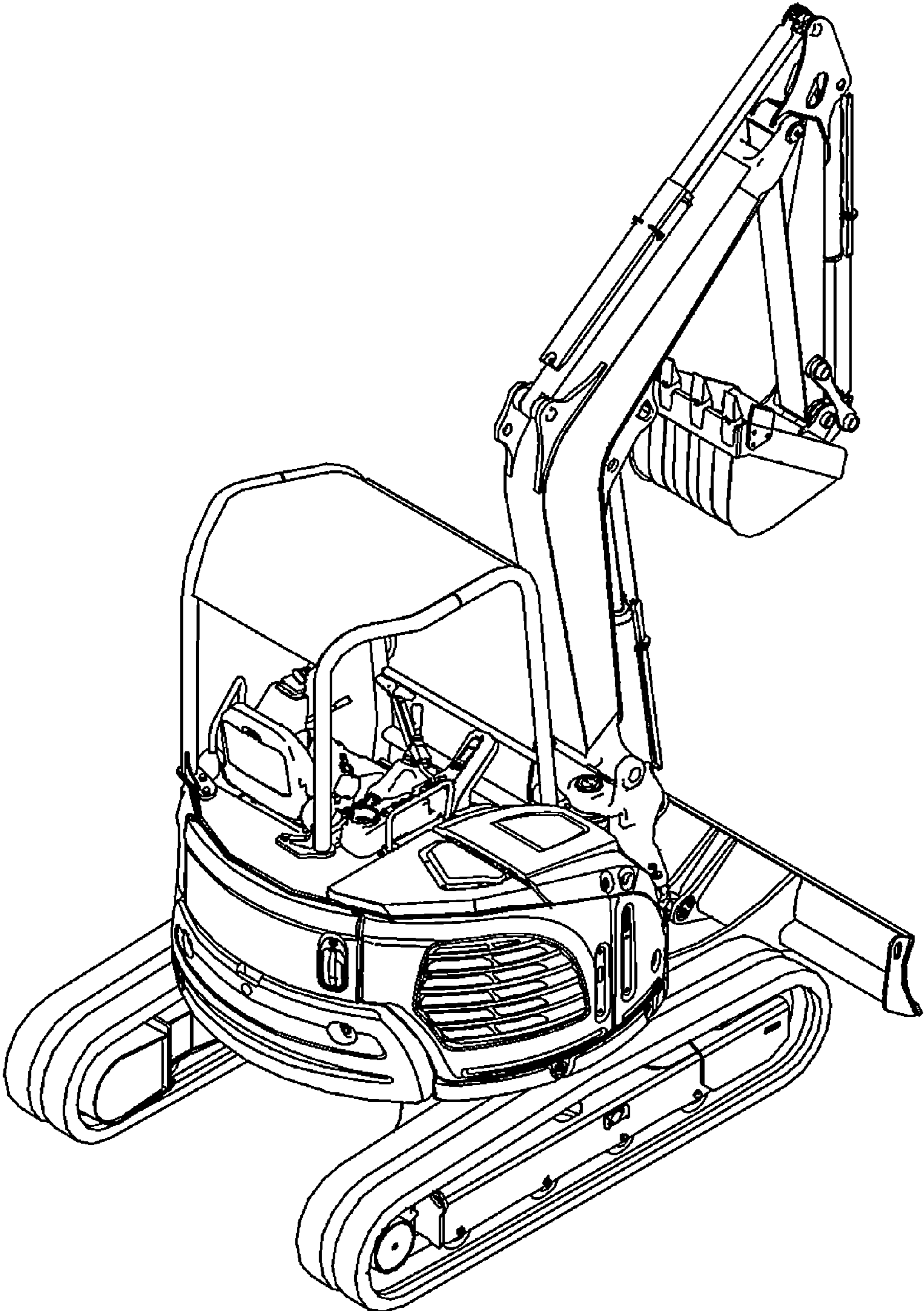


FIG. 2

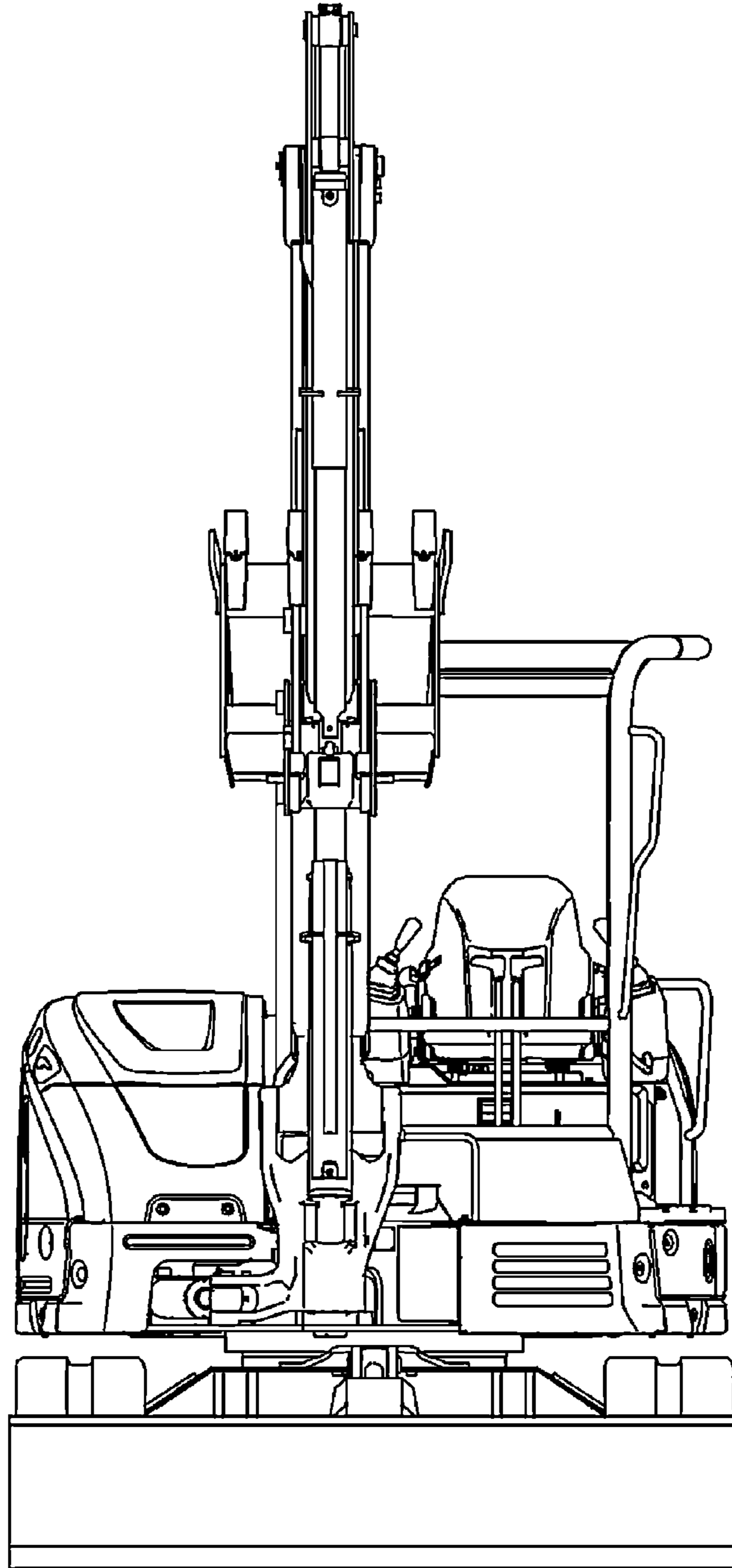


FIG. 3

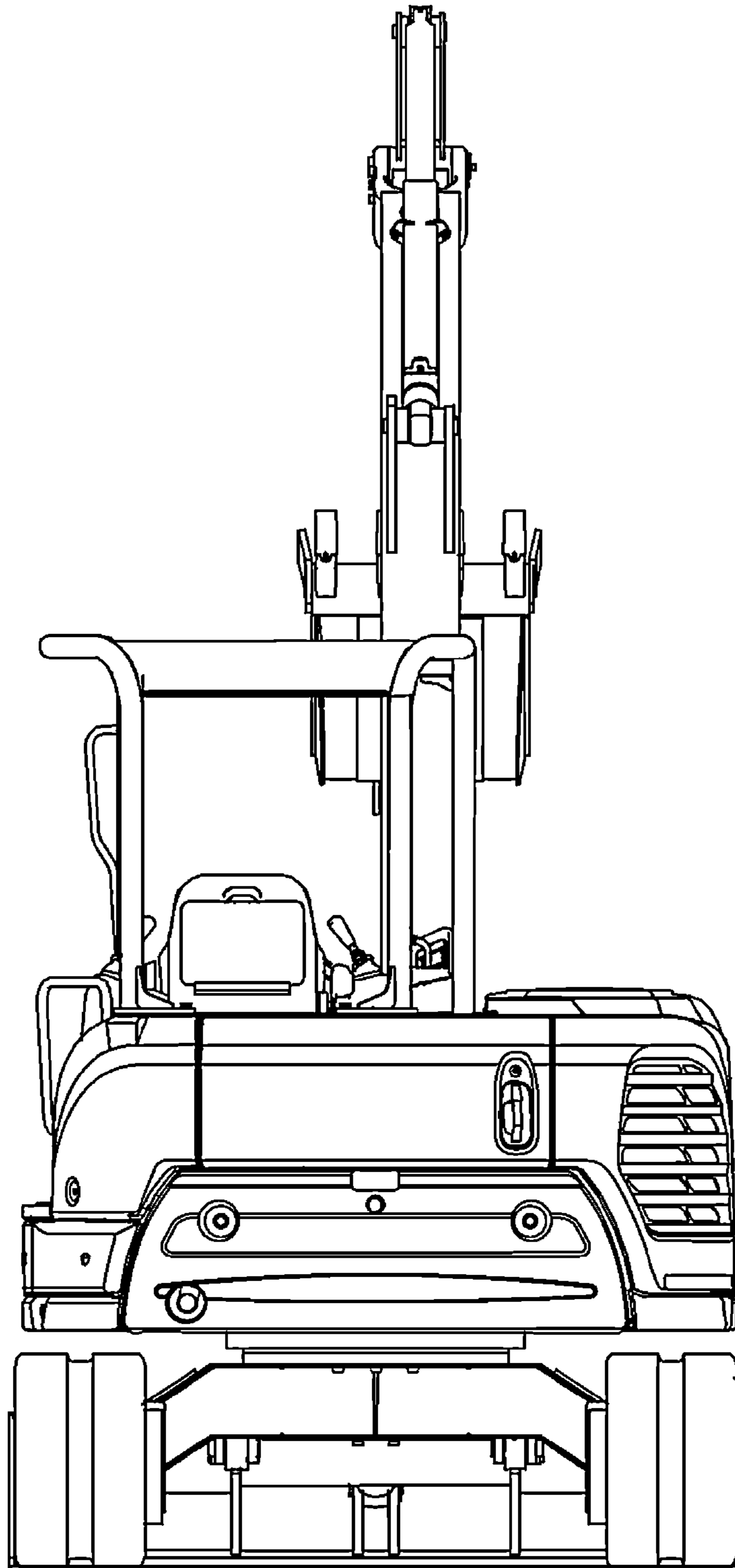


FIG. 4

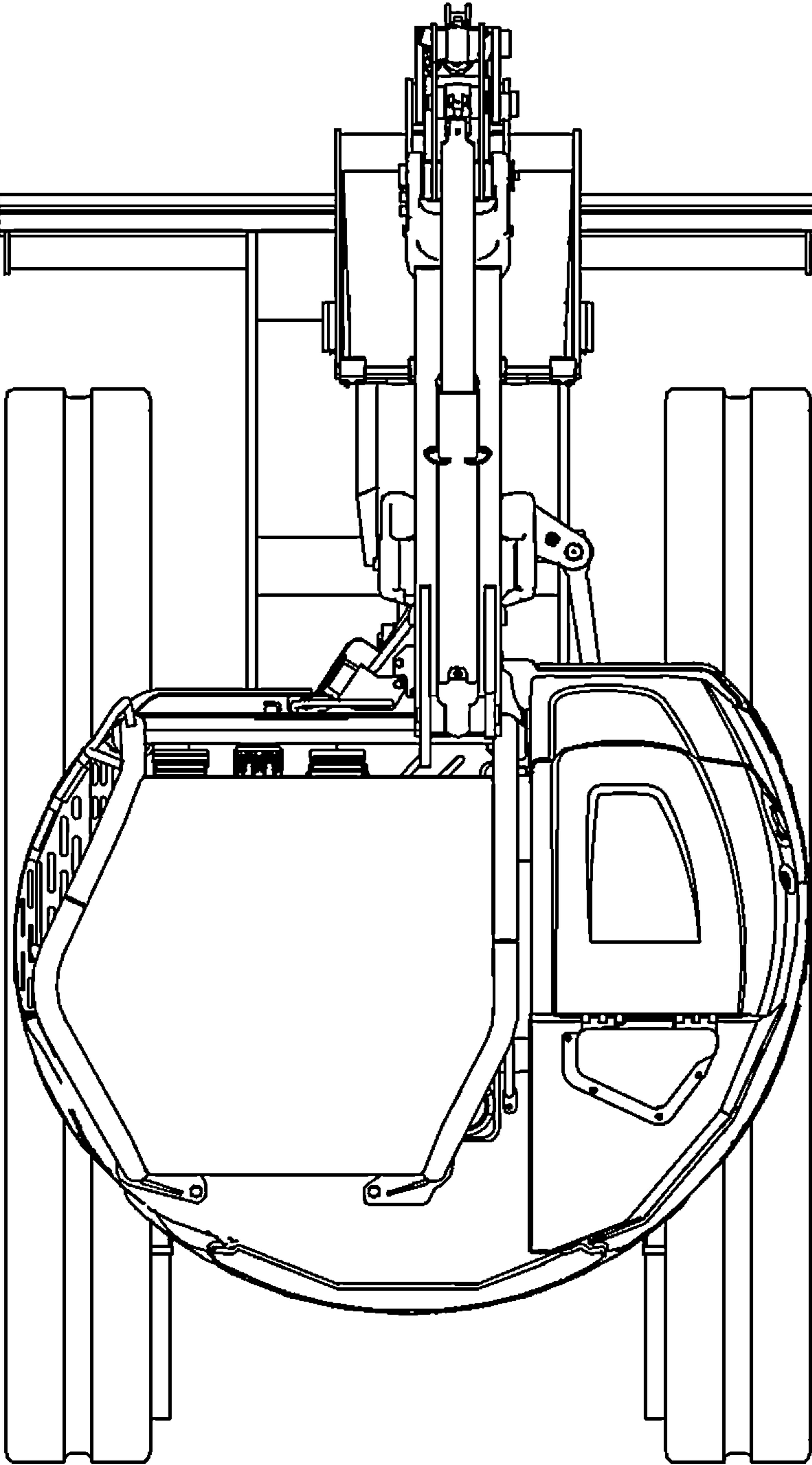


FIG. 5

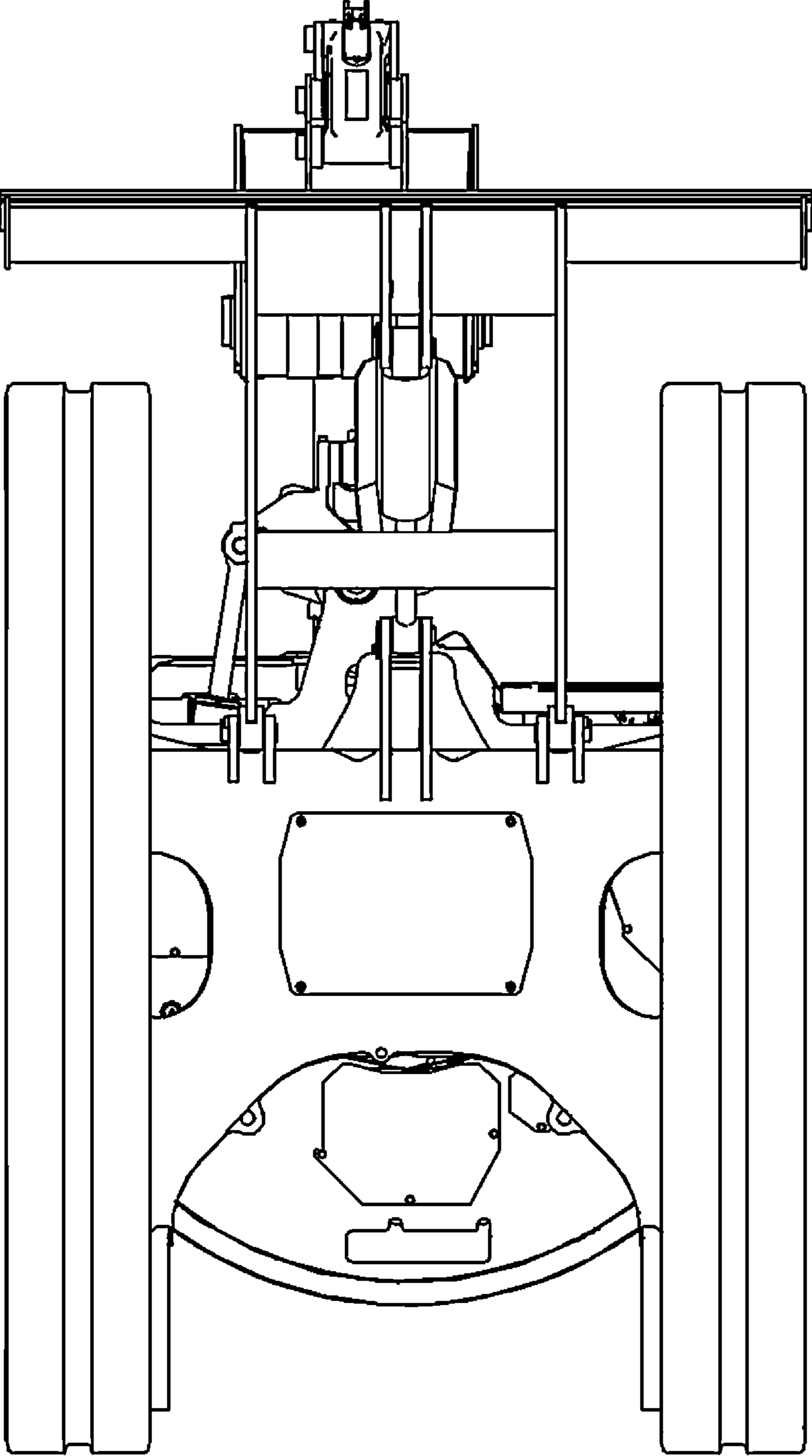


FIG. 6

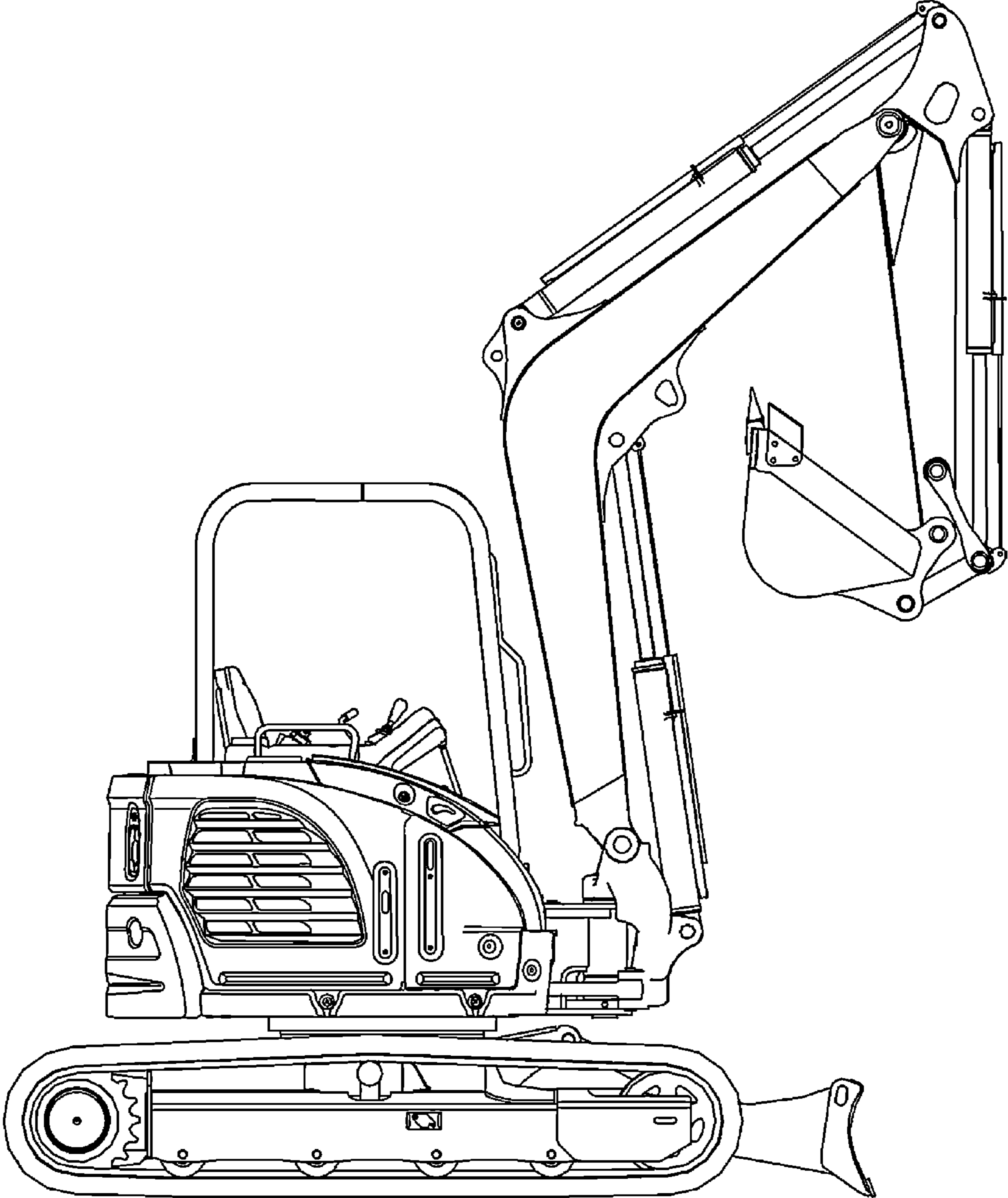


FIG. 7

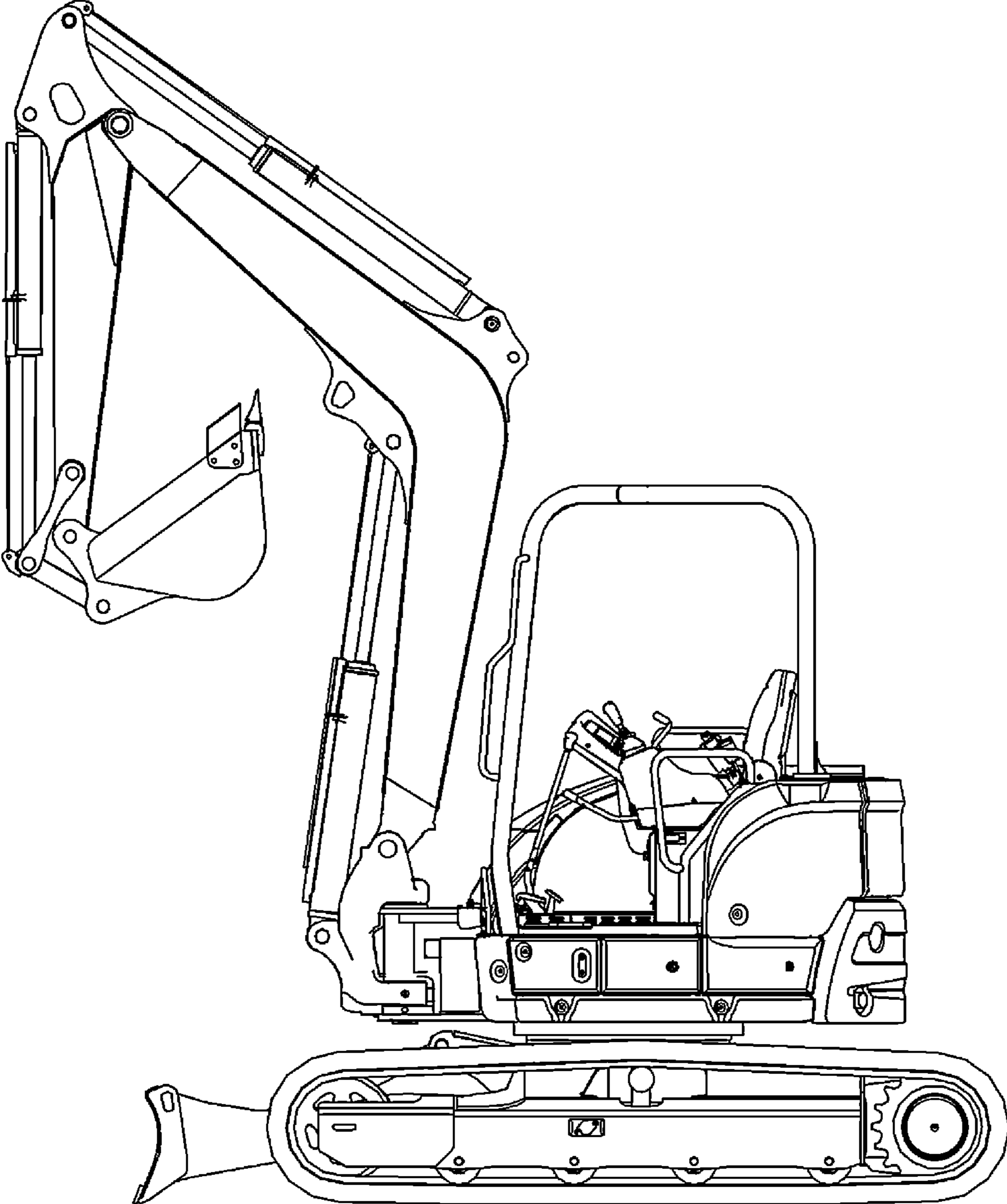


FIG. 8