



US00D716843S

(12) **United States Design Patent**
Ellis

(10) **Patent No.:** **US D716,843 S**

(45) **Date of Patent:** **** Nov. 4, 2014**

(54) **UPPER MANIFOLD**

(71) Applicant: **Vertical Tank, Inc.**, Bakersfield, CA
(US)

(72) Inventor: **Stanley Ellis**, Bakersfield, CA (US)

(73) Assignee: **Vertical Tank, Inc.**

(**) Term: **14 Years**

(21) Appl. No.: **29/475,630**

(22) Filed: **Dec. 4, 2013**

(51) **LOC (10) Cl.** **15-01**

(52) **U.S. Cl.**
USPC **D15/5**

(58) **Field of Classification Search**
USPC D15/1, 2, 3, 4, 5, 6; D23/259, 213, 206,
D23/235, 233, 241, 322, 354; 137/837,
137/561 A; D10/49

See application file for complete search history.

(56) **References Cited**

U.S. PATENT DOCUMENTS

D548,899 S * 8/2007 Asplund D32/4
7,490,628 B2 * 2/2009 Frost et al. 137/883
8,109,295 B2 * 2/2012 Osteen 137/881

* cited by examiner

Primary Examiner — T. Chase Nelson

Assistant Examiner — Ania Aman

(74) *Attorney, Agent, or Firm* — Matthew C. McCartney,
Esq.; Eastman & McCartney LLP

(57) **CLAIM**

The ornamental design for a upper manifold, as shown and described.

DESCRIPTION

FIG. 1 is a top perspective view of the upper manifold showing my new design;
FIG. 2 is a back view of the upper manifold;
FIG. 3 is a front view of the upper manifold;
FIG. 4 is a left side view of the upper manifold;
FIG. 5 is a right side view of the upper manifold;
FIG. 6 is a top view of the upper manifold; and,
FIG. 7 is a bottom view of the upper manifold.

1 Claim, 6 Drawing Sheets

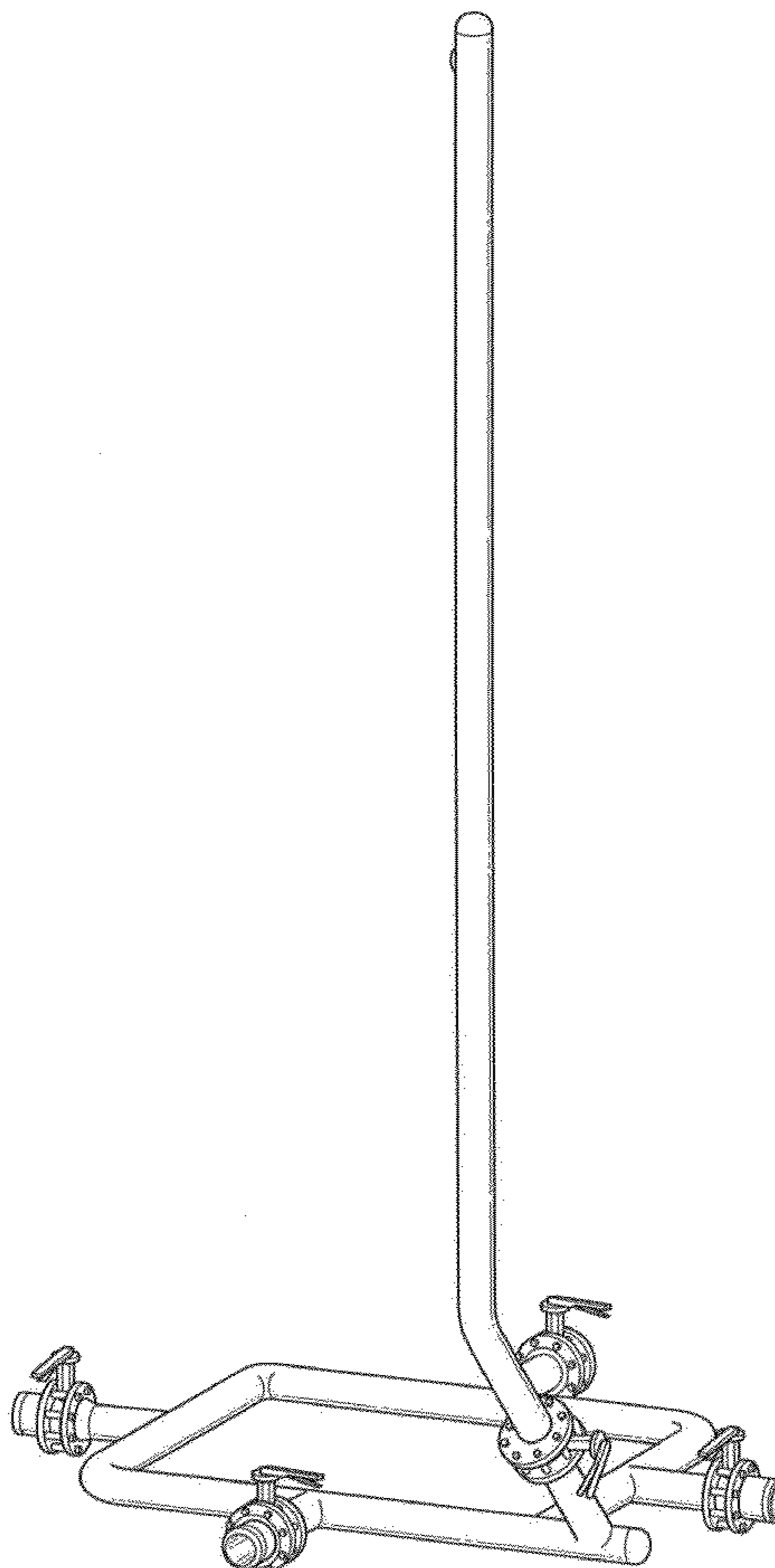
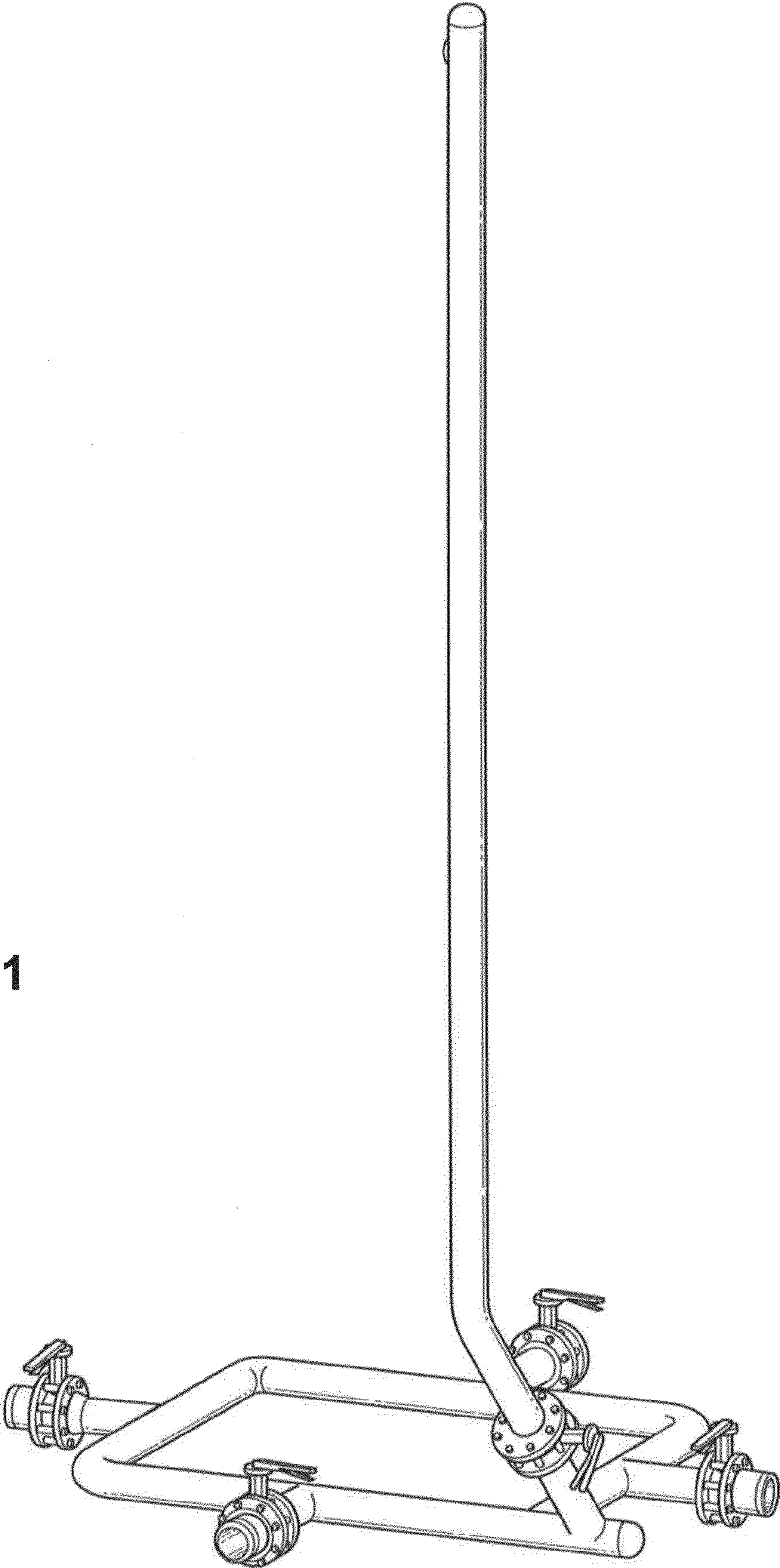


FIG. 1



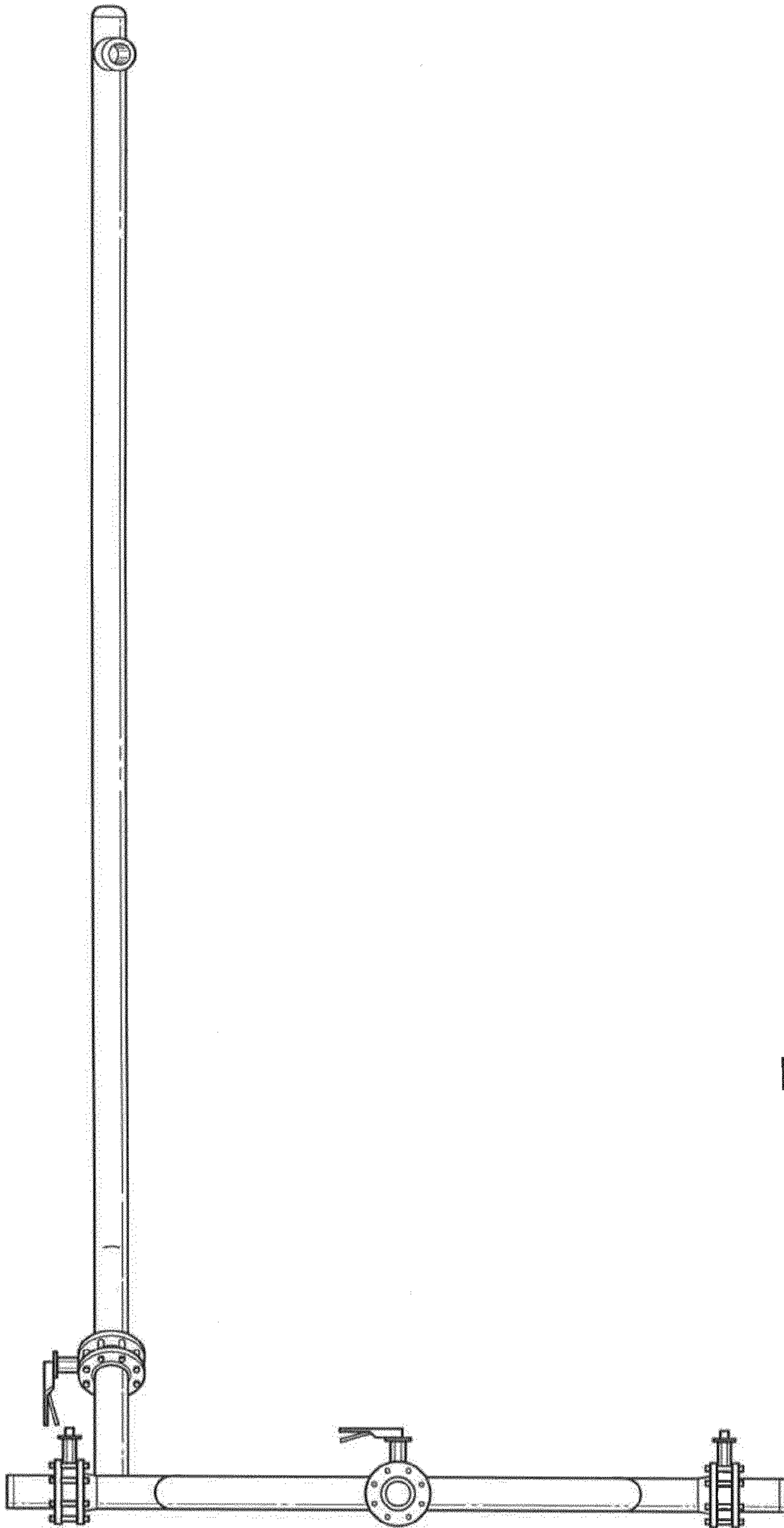


FIG. 2

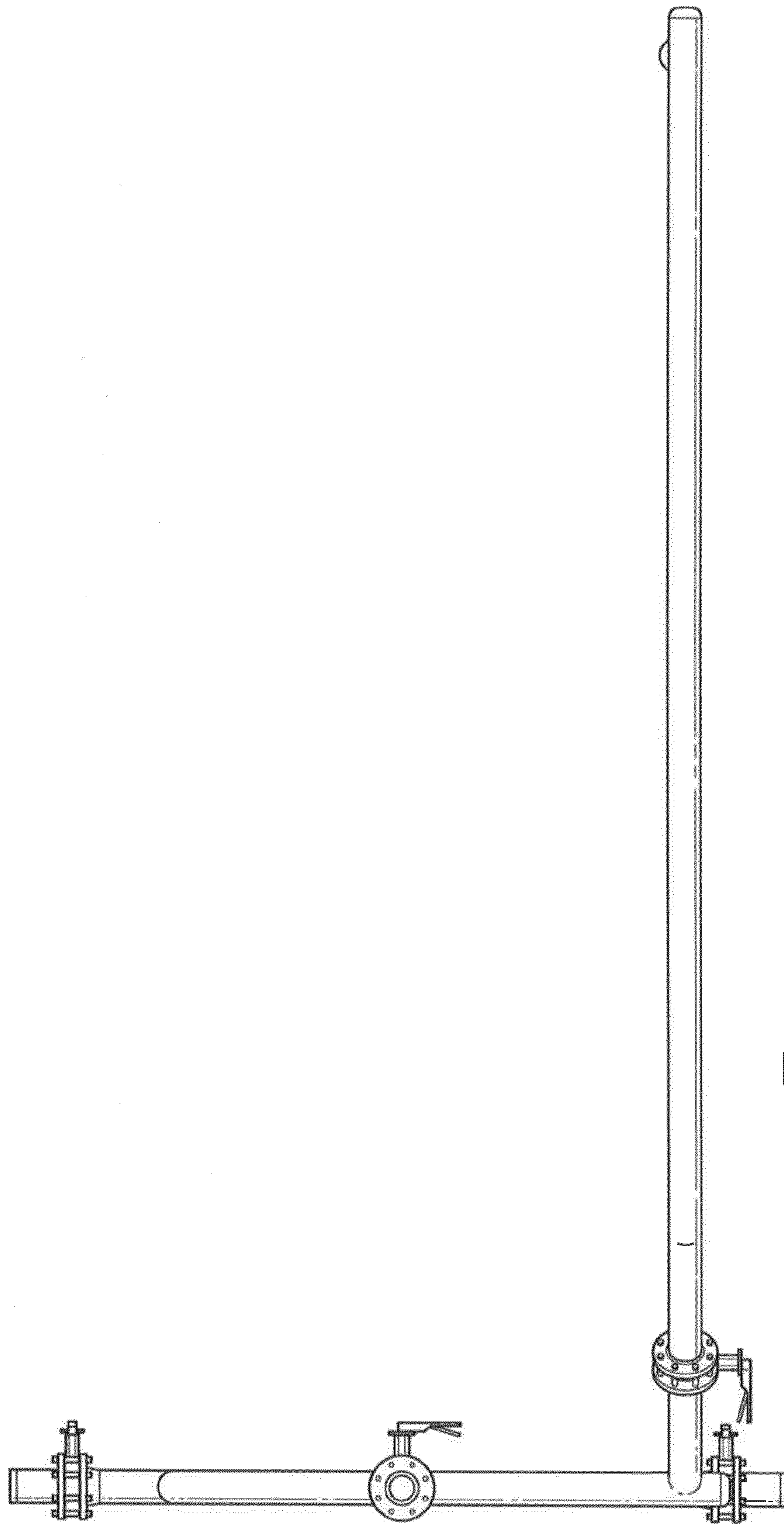
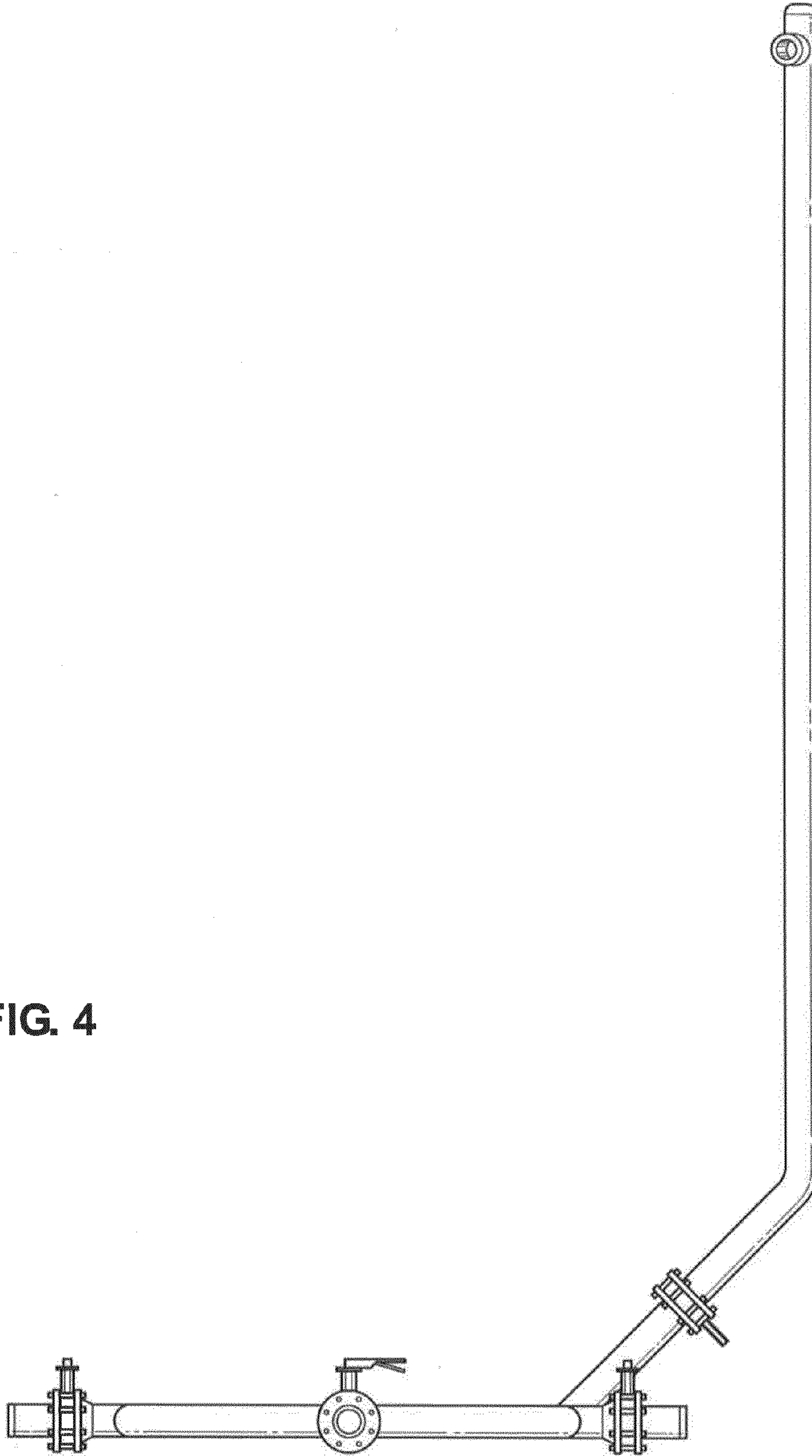


FIG. 3

FIG. 4



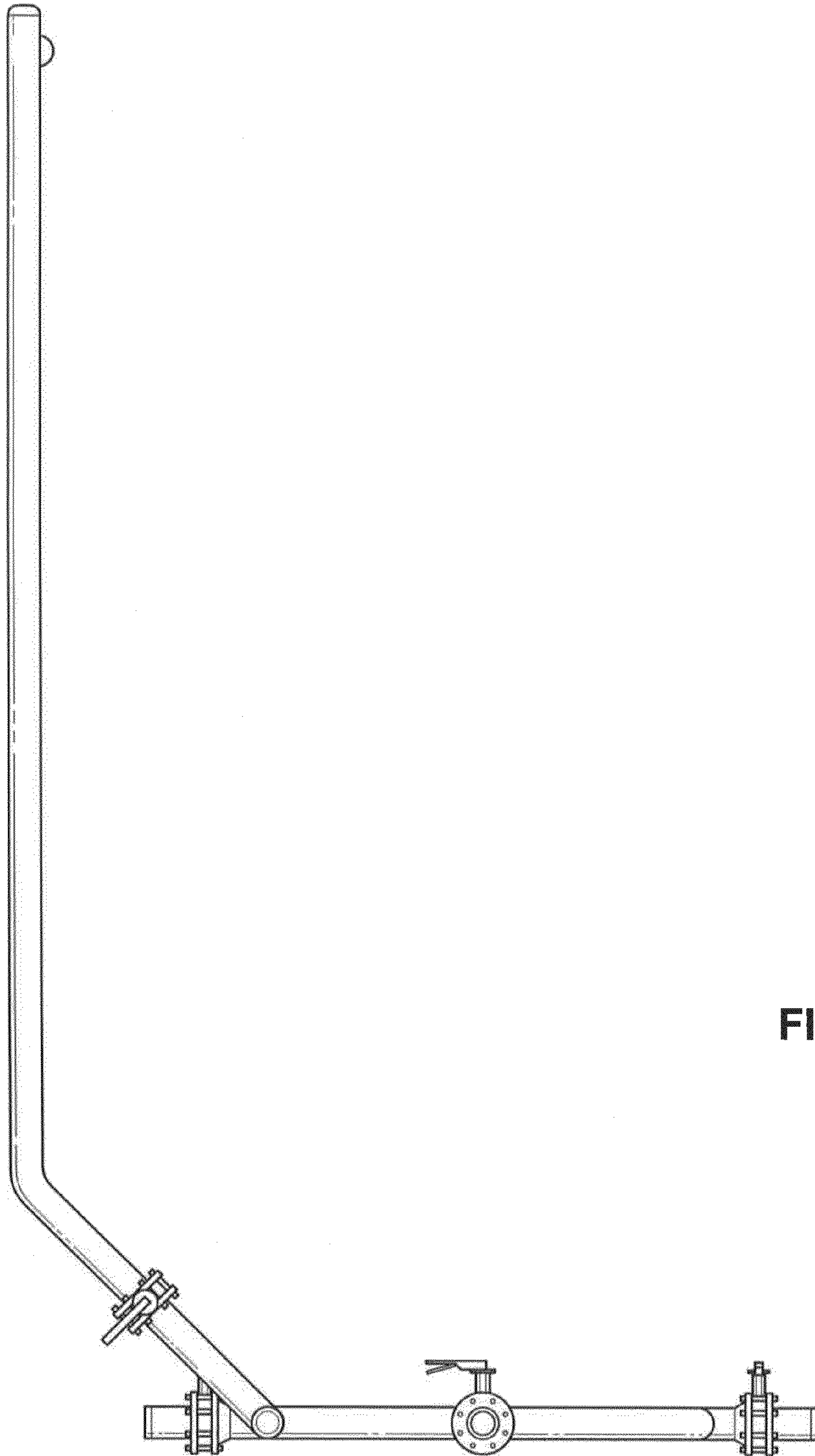


FIG. 5

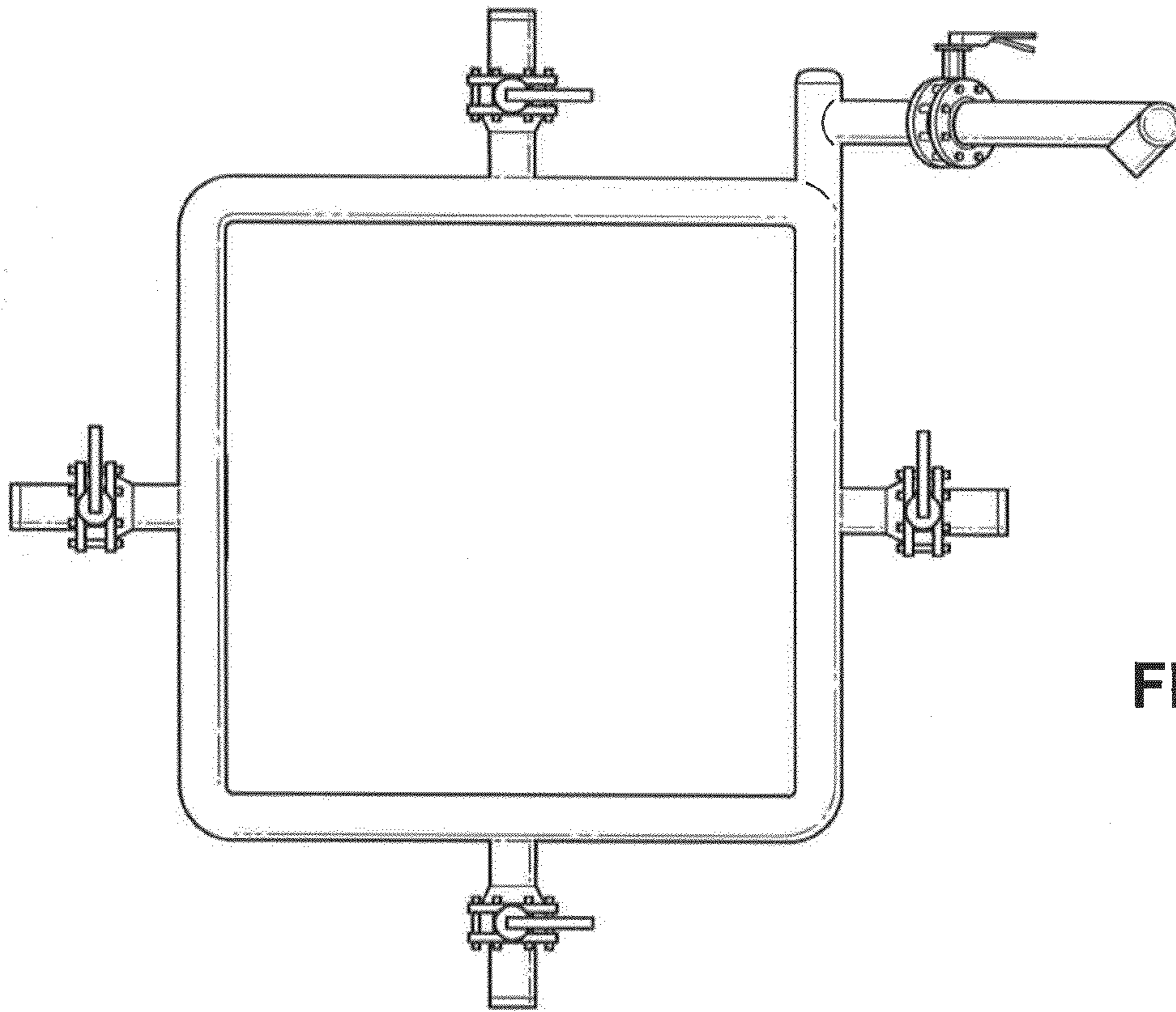


FIG. 6

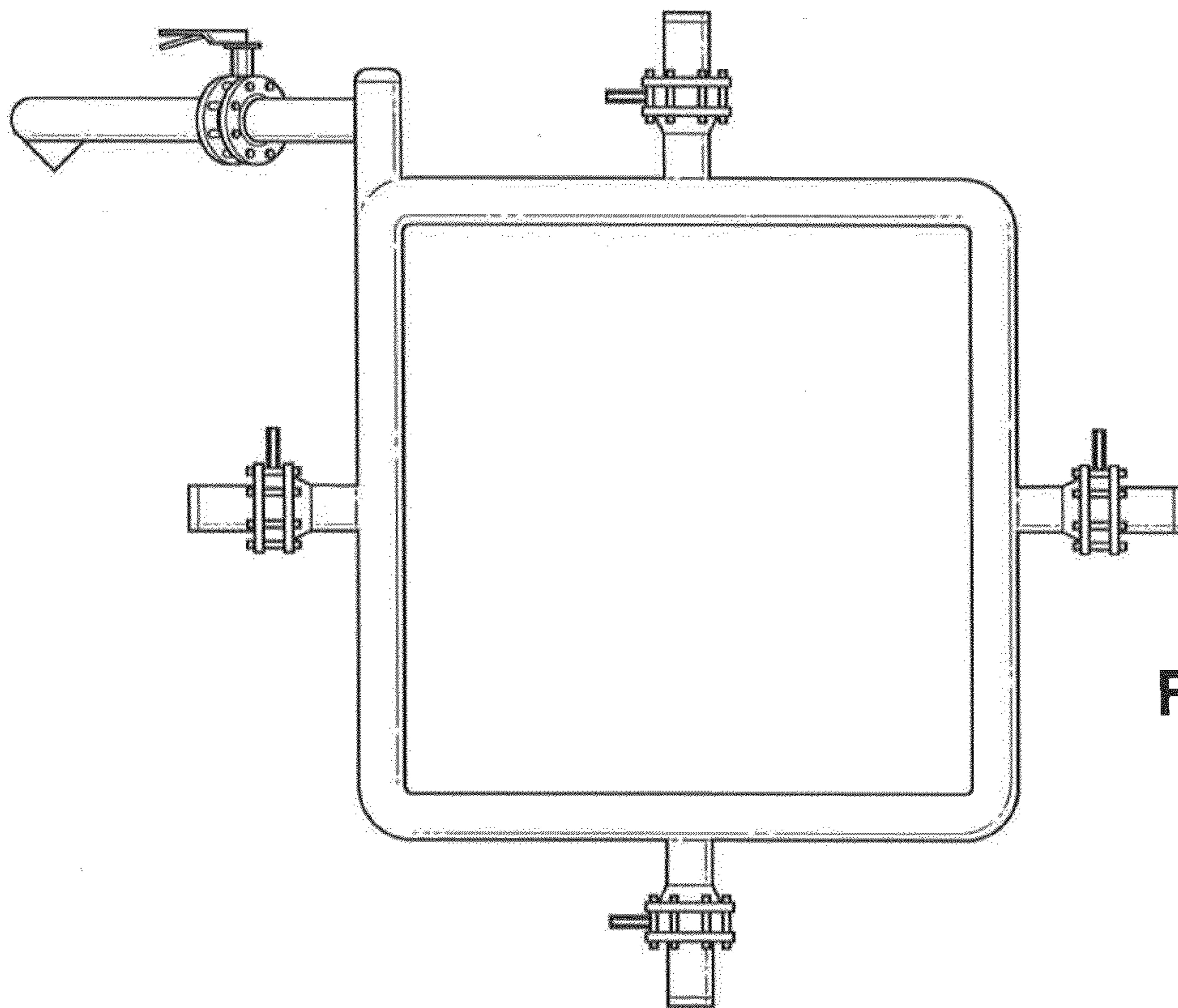


FIG. 7