



US00D716819S

(12) **United States Design Patent**  
**Kotler et al.**

(10) **Patent No.:** **US D716,819 S**  
(45) **Date of Patent:** **\*\* Nov. 4, 2014**

(54) **DISPLAY SCREEN WITH GRAPHICAL USER INTERFACE**

(71) Applicant: **Microsoft Corporation**, Redmond, WA (US)

(72) Inventors: **Matthew J. Kotler**, Sammamish, WA (US); **Erez Kikin Gil**, Redmond, WA (US)

(73) Assignee: **Microsoft Corporation**, Redmond, WA (US)

(\*\*) Term: **14 Years**

(21) Appl. No.: **29/446,812**

(22) Filed: **Feb. 27, 2013**

(51) **LOC (10) Cl.** ..... **14-04**

(52) **U.S. Cl.**  
USPC ..... **D14/485**

(58) **Field of Classification Search**  
CPC ..... G06F 3/048; G06F 3/0481; G06F 3/0482; G06F 3/04812; G06F 3/04817  
USPC ..... D14/485-495  
See application file for complete search history.

(56) **References Cited**

U.S. PATENT DOCUMENTS

D67,865	S	*	7/1925	Armstrong	.....	D10/103
1,783,484	A	*	12/1930	Ross	.....	24/547
4,300,268	A	*	11/1981	Wilson	.....	24/67 R
4,364,672	A	*	12/1982	Shibuya et al.	.....	368/240
D270,272	S	*	8/1983	Steele	.....	D18/27
D294,043	S	*	2/1988	Haines	.....	D21/362
4,747,093	A		5/1988	Benne et al.		
D304,958	S	*	12/1989	Gutierrez	.....	D19/65
4,974,173	A		11/1990	Stefik et al.		
5,321,803	A	*	6/1994	Ditter, Jr.	.....	715/703
5,526,341	A		6/1996	Shiba et al.		
5,559,527	A	*	9/1996	Quinn	.....	455/67.7

5,675,570	A		10/1997	Ohira et al.		
5,701,424	A	*	12/1997	Atkinson	.....	715/808
D396,455	S		7/1998	Bier		
5,828,360	A	*	10/1998	Anderson et al.	.....	715/834
5,943,039	A	*	8/1999	Anderson et al.	.....	715/810
D416,550	S	*	11/1999	Richter	.....	D14/489
D448,777	S	*	10/2001	Kuhlman	.....	D14/489
D452,692	S	*	1/2002	Fukuda	.....	D14/489
D461,822	S		8/2002	Okuley		
6,448,987	B1	*	9/2002	Easty et al.	.....	715/834
D464,360	S		10/2002	Grundel et al.		
D473,151	S	*	4/2003	Shaland et al.	.....	D10/103
6,549,219	B2		4/2003	Selker		
D474,197	S		5/2003	Nguyen		
D492,695	S		7/2004	Suzuki et al.		
D493,177	S		7/2004	Retuta et al.		
D493,471	S		7/2004	McIntosh		
D500,766	S	*	1/2005	Hanisch et al.	.....	D14/489
D501,210	S	*	1/2005	Cook	.....	D14/486
D504,441	S		4/2005	Sapp et al.		
D505,135	S		5/2005	Sapp et al.		
D506,473	S	*	6/2005	Segal et al.	.....	D14/486
D507,002	S	*	7/2005	Retuta et al.	.....	D14/486

(Continued)

Primary Examiner — Kevin Rudzinski

(74) *Attorney, Agent, or Firm* — Banner & Witcoff, Ltd.

(57) **CLAIM**

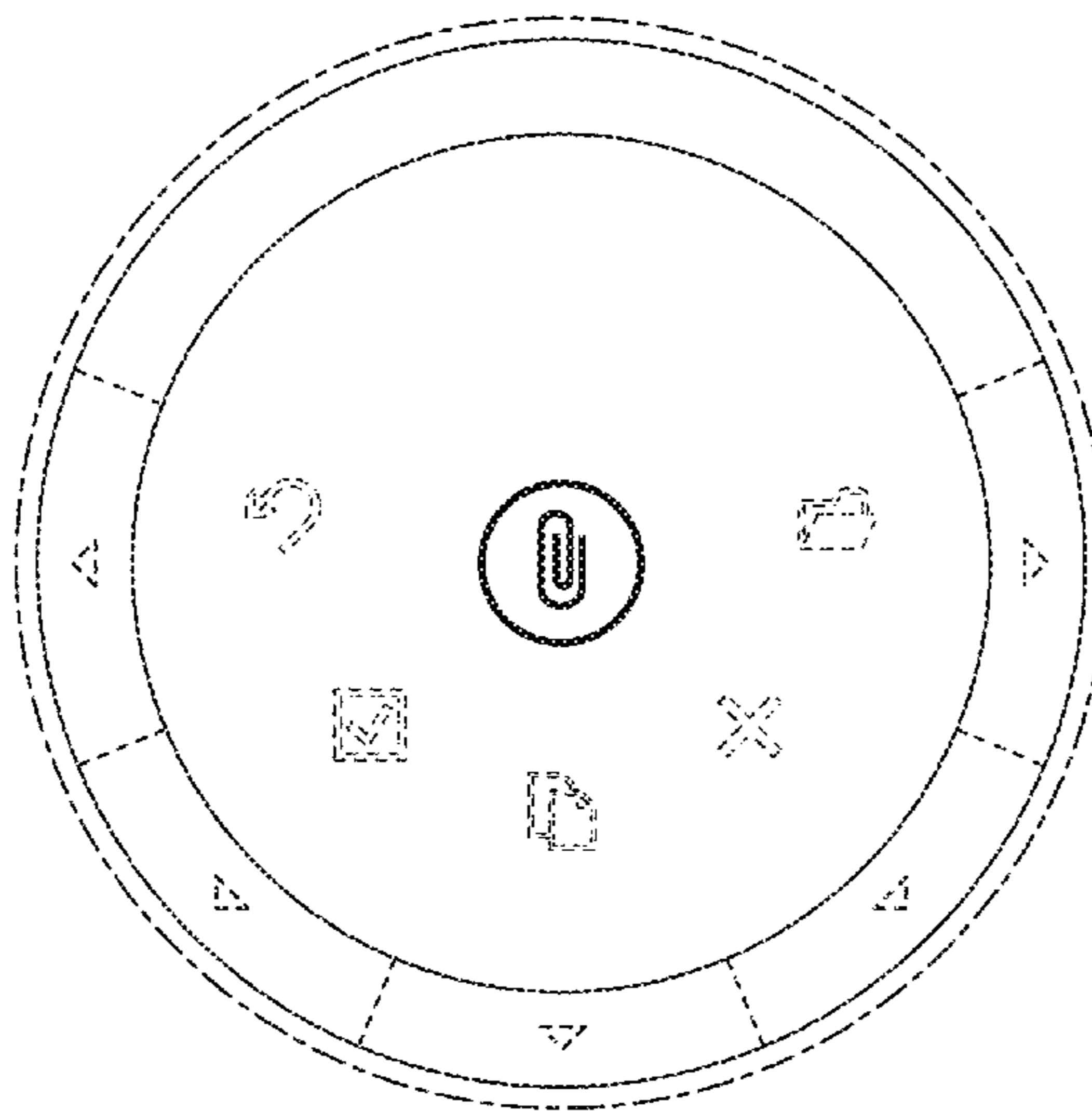
The ornamental design for a display screen with graphical user interface, as shown and described.

**DESCRIPTION**

FIG. 1 is a front view of a display screen with graphical user interface showing our new design; and, FIG. 2 is a front view of the display screen with graphical user interface of FIG. 1 shown with additional disclaimed environment.

The broken line showing of the remainder of the user interface and display screen is for environmental purposes only and forms no part of the claimed design.

**1 Claim, 2 Drawing Sheets**





(56)

## References Cited

## U.S. PATENT DOCUMENTS

D509,512 S *	9/2005	Hernandez et al.	.....	D14/493	D664,562 S	7/2012	McCain et al.	
D511,524 S *	11/2005	Retuta et al.	.....	D14/486	8,223,127 B2 *	7/2012	Park et al.	..... 345/169
7,046,248 B1	5/2006	Perttunen			D664,983 S *	8/2012	Moreau et al.	..... D14/488
D523,441 S *	6/2006	Sapp et al.	.....	D14/486	D665,163 S *	8/2012	Leifeld et al.	..... D3/203.2
D534,541 S *	1/2007	Retuta et al.	.....	D14/486	8,245,156 B2 *	8/2012	Mouilleseaux et al.	..... 715/834
D534,915 S *	1/2007	Retuta et al.	.....	D14/486	D667,428 S	9/2012	Wujcik et al.	
7,180,524 B1 *	2/2007	Axelrod	.....	345/593	D667,429 S	9/2012	Wujcik et al.	
D544,495 S	6/2007	Evans et al.			D667,430 S	9/2012	Ouilhet et al.	
D544,496 S *	6/2007	Evans et al.	.....	D14/489	8,314,789 B2 *	11/2012	Fitzmaurice et al.	..... 345/419
D545,323 S	6/2007	Decombe			D671,956 S *	12/2012	Dellinger et al.	..... D14/486
D545,324 S	6/2007	Decombe			8,375,329 B2 *	2/2013	Drayton et al.	..... 715/834
D545,713 S *	7/2007	Waldman	.....	D10/125	D678,323 S	3/2013	Yoshida et al.	
D550,696 S	9/2007	Kortum et al.			D678,902 S	3/2013	Evans	
7,281,214 B2	10/2007	Fadell			D681,669 S	5/2013	Phelan	
D554,659 S *	11/2007	Hoover et al.	.....	D14/487	D682,872 S *	5/2013	Frijlink	..... D14/487
D554,660 S	11/2007	Hoover et al.			D683,755 S	6/2013	Phelan	
D554,661 S	11/2007	Hoover et al.			D683,756 S	6/2013	Phelan	
D554,662 S *	11/2007	Hoover et al.	.....	D14/487	D683,757 S	6/2013	Phelan	
D561,193 S *	2/2008	O'Mullan et al.	.....	D14/489	D683,760 S *	6/2013	Ridl et al.	..... D14/489
D562,343 S *	2/2008	Fletcher	.....	D14/488	D684,181 S	6/2013	Carpenter et al.	
D563,972 S	3/2008	Sherry			D684,585 S *	6/2013	Plesnicher et al.	..... D14/486
D568,898 S	5/2008	Byeon			D684,586 S *	6/2013	Plesnicher et al.	..... D14/486
D574,395 S *	8/2008	Loretan et al.	.....	D14/487	D684,587 S *	6/2013	Plesnicher et al.	..... D14/486
D580,949 S	11/2008	Duarte			D685,390 S	7/2013	Loken	
D589,521 S	3/2009	Napier et al.			D685,391 S	7/2013	Blissenbach et al.	
D591,305 S	4/2009	Shimoda			D687,460 S *	8/2013	Tyler et al.	..... D14/489
7,516,416 B2	4/2009	Viswanathan et al.			D688,697 S	8/2013	Phelan	
D592,674 S	5/2009	Kwag			D689,098 S	9/2013	Jang et al.	
D593,107 S *	5/2009	Shimoda et al.	.....	D14/485	D689,508 S *	9/2013	Baumann	..... D14/486
D593,126 S	5/2009	Danton			D690,720 S *	10/2013	Waldman	..... D14/485
D597,101 S *	7/2009	Chaudhri et al.	.....	D14/488	D691,637 S *	10/2013	Deurwaarder	..... D14/511
D598,468 S *	8/2009	Hirsch et al.	.....	D14/491	D692,017 S *	10/2013	Andersson et al.	..... D14/485
D599,815 S	9/2009	Ogura et al.			D694,257 S *	11/2013	McKinley et al.	..... D14/486
D602,033 S	10/2009	Vu et al.			D696,265 S *	12/2013	d'Amore et al.	..... D14/485
D604,310 S	11/2009	Ahn			D696,266 S *	12/2013	d'Amore et al.	..... D14/485
D606,081 S	12/2009	Parker et al.			D697,076 S *	1/2014	Oda et al.	..... D14/486
D606,091 S *	12/2009	O'Donnell et al.	.....	D14/489	D697,523 S *	1/2014	Oda et al.	..... D14/486
D607,007 S	12/2009	Kocmick			D698,820 S *	2/2014	Myung et al.	..... D14/491
D607,009 S *	12/2009	McEnaney	.....	D14/489	D699,248 S *	2/2014	Pearson et al.	..... D14/485
D611,952 S *	3/2010	Berg et al.	.....	D14/489	D699,251 S *	2/2014	Rao et al.	..... D14/486
7,689,931 B2 *	3/2010	Koga et al.	.....	715/812	D699,737 S *	2/2014	Pearson et al.	..... D14/486
D613,754 S	4/2010	Barcheck et al.			D699,745 S *	2/2014	Pearson et al.	..... D14/488
D614,192 S	4/2010	Takano et al.			D699,746 S *	2/2014	Pearson et al.	..... D14/488
D619,593 S	7/2010	Fujioka et al.			D699,747 S *	2/2014	Pearson et al.	..... D14/488
D619,614 S	7/2010	O'Mullan et al.			D699,748 S *	2/2014	Pearson et al.	..... D14/488
D619,800 S *	7/2010	Leifeld et al.	.....	D3/203.2	D699,749 S *	2/2014	Pearson et al.	..... D14/488
D620,024 S	7/2010	Dunn et al.			D699,750 S *	2/2014	Pearson et al.	..... D14/488
D622,281 S	8/2010	Maitlen et al.			D700,207 S *	2/2014	Pearson et al.	..... D14/488
D623,658 S *	9/2010	Fitzmaurice et al.	.....	D14/489	D701,226 S *	3/2014	Jung	..... D14/486
D624,926 S *	10/2010	Allen et al.	.....	D14/485	8,665,272 B2 *	3/2014	Fitzmaurice et al.	..... 345/427
D624,933 S *	10/2010	Fitzmaurice et al.	.....	D14/489	D701,877 S *	4/2014	Kotler et al.	..... D14/487
D625,319 S	10/2010	Allen et al.			D702,250 S *	4/2014	Kotler et al.	..... D14/487
D625,327 S *	10/2010	Fitzmaurice et al.	.....	D14/489	D702,251 S *	4/2014	Kotler et al.	..... D14/487
D625,328 S	10/2010	Fitzmaurice et al.			D702,252 S *	4/2014	Kotler et al.	..... D14/487
7,814,439 B2 *	10/2010	Fitzmaurice et al.	.....	715/856	D702,253 S *	4/2014	Kotler et al.	..... D14/487
D627,360 S	11/2010	Aarseth			D702,257 S *	4/2014	Wantland et al.	..... D14/489
D628,590 S	12/2010	Vandeberghe et al.			D702,258 S *	4/2014	Wantland et al.	..... D14/489
D629,814 S *	12/2010	Lew	.....	D14/492	D702,706 S *	4/2014	Kotler et al.	..... D14/487
D630,643 S *	1/2011	Wilson	.....	D14/486	D702,707 S *	4/2014	Kotler et al.	..... D14/487
D630,644 S *	1/2011	Wilson	.....	D14/486	8,686,991 B2 *	4/2014	Fitzmaurice et al.	..... 345/419
D630,646 S *	1/2011	Wilson	.....	D14/487	D704,222 S *	5/2014	Lee et al.	..... D14/493
D630,647 S *	1/2011	Wilson	.....	D14/487	D706,283 S *	6/2014	Pedraza Padilla et al.	..... D14/486
D635,987 S	4/2011	Mays et al.			8,749,544 B2 *	6/2014	Fitzmaurice et al.	..... 345/419
D635,988 S	4/2011	Mays et al.			D708,203 S *	7/2014	Johnson	..... D14/487
D637,197 S	5/2011	Ray et al.			D708,221 S *	7/2014	Danton et al.	..... D14/492
D644,242 S *	8/2011	Matas	.....	D14/489	D710,367 S *	8/2014	Quattrocchi	..... D14/485
D644,243 S	8/2011	Matas			D710,883 S *	8/2014	Francisco et al.	..... D14/489
7,992,102 B1 *	8/2011	De Angelo	.....	715/834	D711,904 S *	8/2014	Sundy et al.	..... D14/486
D645,470 S	9/2011	Matas			D711,905 S *	8/2014	Morrison et al.	..... D14/486
D648,738 S *	11/2011	Lemay	.....	D14/489	8,803,881 B2 *	8/2014	Fitzmaurice et al.	..... 345/427
D649,159 S	11/2011	Viggers et al.			D712,911 S *	9/2014	Pearson et al.	..... D14/486
D651,611 S	1/2012	Ouilhet et al.			8,826,181 B2 *	9/2014	Mouilleseaux et al.	..... 715/834
D651,613 S	1/2012	Ouilhet			2002/0085037 A1	7/2002	Leavitt et al.	
8,151,209 B2 *	4/2012	Law et al.	.....	715/773	2004/0141010 A1	7/2004	Fitzmaurice et al.	
8,205,166 B2 *	6/2012	Gotz	.....	715/769	2005/0010955 A1	1/2005	Elia et al.	
					2007/0220442 A1	9/2007	Bohan et al.	
					2007/0256029 A1 *	11/2007	Maxwell	..... 715/834
					2007/0271528 A1 *	11/2007	Park et al.	..... 715/810
					2008/0126992 A1	5/2008	Scheu et al.	

(56)

**References Cited**

U.S. PATENT DOCUMENTS

2009/0019397	A1 *	1/2009	Buffet et al. ....	715/837	2012/0124520	A1 *	5/2012	Samp et al. ....	715/834
2009/0327964	A1 *	12/2009	Mouilleseaux et al. ....	715/834	2013/0019174	A1	1/2013	Gil et al.	
2010/0088594	A1	4/2010	Kim et al.		2013/0019175	A1	1/2013	Kotler et al.	
2011/0083100	A1	4/2011	Fyke et al.		2013/0019182	A1	1/2013	Gil et al.	
2011/0249005	A1 *	10/2011	Hautvast .....	345/440	2013/0019203	A1	1/2013	Kotler et al.	
2012/0096383	A1 *	4/2012	Sakamoto et al. ....	715/772	2013/0019205	A1	1/2013	Gil et al.	
					2013/0019206	A1	1/2013	Kotler et al.	
					2013/0019208	A1	1/2013	Kotler et al.	
					2013/0212529	A1	8/2013	Amarnath	

\* cited by examiner

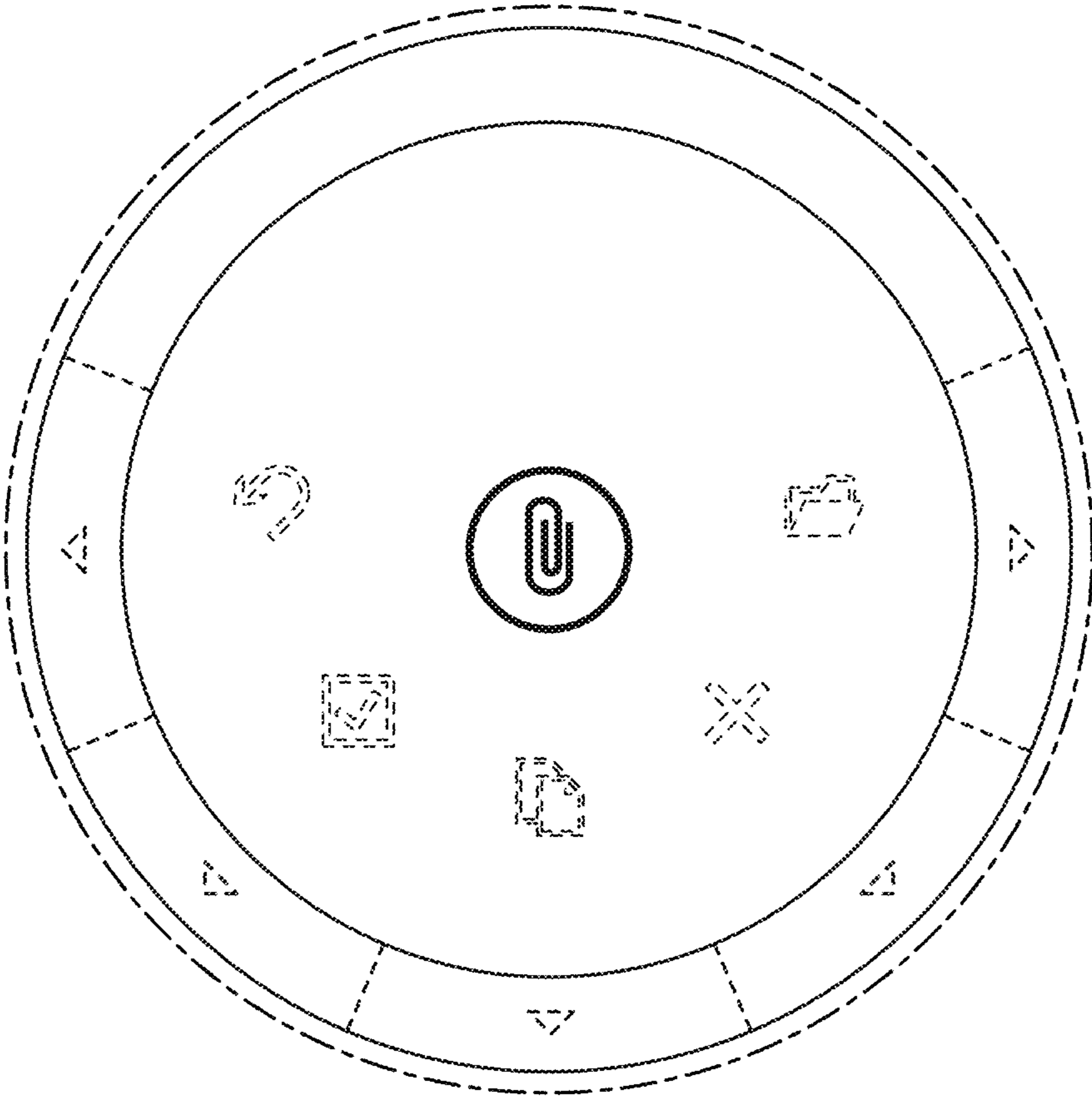


FIG. 1



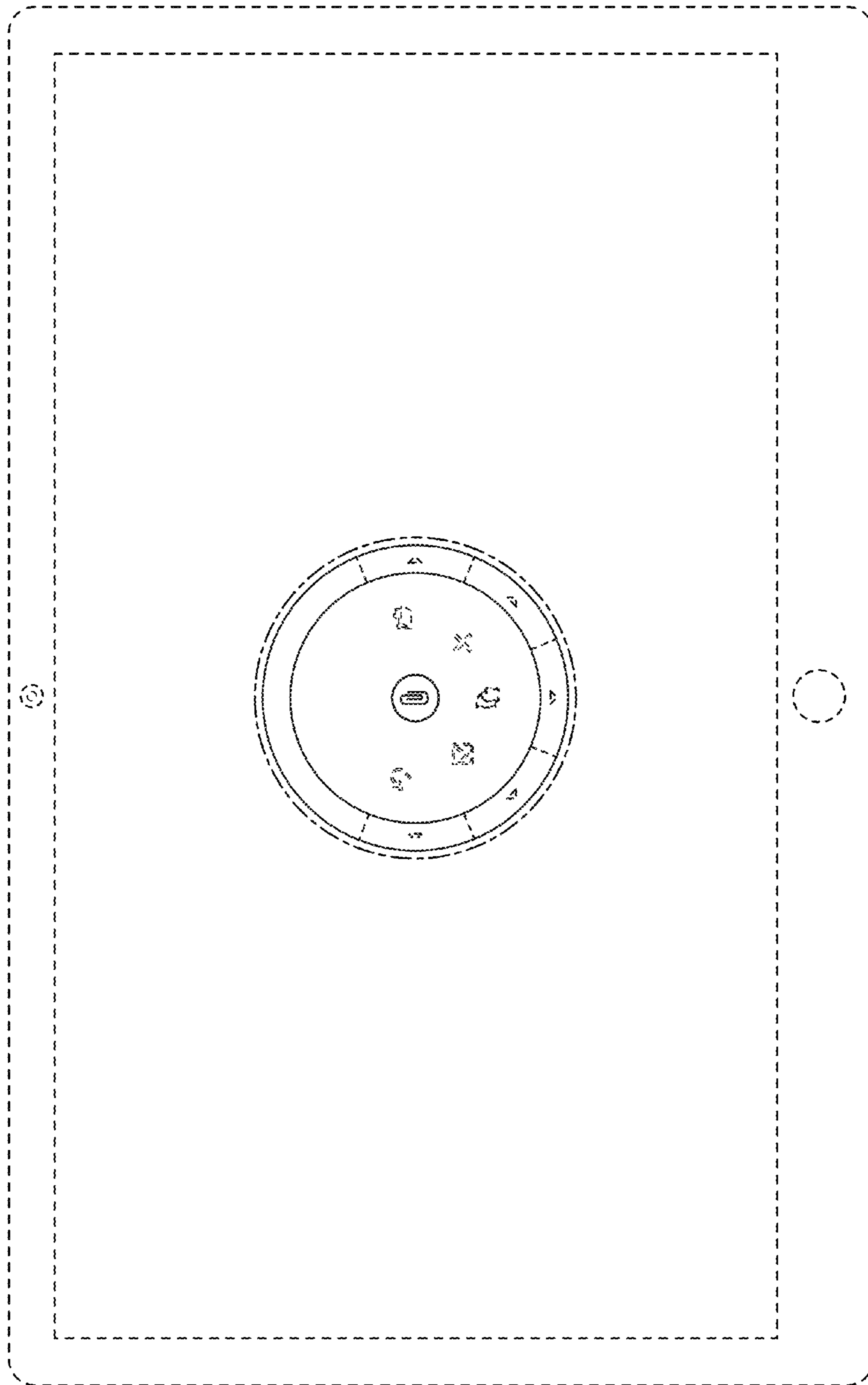


FIG. 2