

US00D716818S

(12) **United States Design Patent**
Alegiani et al.

(10) **Patent No.:** **US D716,818 S**
(45) **Date of Patent:** **** Nov. 4, 2014**

(54) **CRADLE FOR MOBILE TERMINALS**

(71) Applicant: **Datalogic IP Tech S.r.L.**, Lippo di
Calderara di Reno (IT)

(72) Inventors: **Monica Alegiani**, Silvi (IT); **Manlio Galanti**, Persiceto (IT)

(73) Assignee: **Datalogic IP Tech S.R.L.**, Lippo di
Calderara di Reno (BO) (IT)

(**) Term: **14 Years**

(21) Appl. No.: **29/450,657**

(22) Filed: **Mar. 20, 2013**

(30) **Foreign Application Priority Data**

Sep. 26, 2012 (EM) 002109371

(51) **LOC (10) Cl.** **14-02**

(52) **U.S. Cl.**
USPC **D14/453**

(58) **Field of Classification Search**

USPC D14/434, 447, 453, 432, 433, 385, 357,
D14/149, 457, 253, 251, 356, 242, 439,
D14/344; D13/108, 118, 199, 107, 177;
D3/218, 228, 269; D18/12; D8/349,
D8/382; 361/683, 686, 679, 600; 455/557,
455/556.1, 556.2, 575.4, 569.2, 569.1;
248/346.03, 176.1, 181.1, 309.1,
248/221.11; 200/6 R; 206/701;
320/113-115, 107; 379/426; 345/156,
345/901, 905; 439/374, 131, 529, 534, 929,
439/346, 31, 640; 235/472.01; 429/100

See application file for complete search history.

(56) **References Cited**

U.S. PATENT DOCUMENTS

3,538,267 A * 11/1970 Ross 379/455
3,842,281 A 10/1974 Goodrich
D308,968 S * 7/1990 Morun et al. D14/453

D316,087 S * 4/1991 Meckstroth et al. D14/453
D321,510 S * 11/1991 Langlois D14/151
5,155,346 A 10/1992 Doing et al.
D354,951 S * 1/1995 Fenton et al. D14/242
D376,585 S * 12/1996 Wathen et al. D14/434

(Continued)

FOREIGN PATENT DOCUMENTS

WO WO2007076932 A2 7/2007
WO WO2009144751 A1 12/2009

Primary Examiner — Susan Moon Lee

(74) *Attorney, Agent, or Firm* — Duane Morris LLP

(57) **CLAIM**

We claim the ornamental design for a cradle for mobile terminals, as shown and described.

DESCRIPTION

FIG. 1 is a perspective end view of a cradle for mobile terminals according to the present invention.

FIG. 2 is a second perspective end view of the cradle for mobile terminals of FIG. 1.

FIG. 3 is a top view of the cradle for mobile terminals of FIG. 1.

FIG. 4 is a left side view of the cradle for mobile terminals of FIG. 1.

FIG. 5 is a right side view of the cradle for mobile terminals of FIG. 1.

FIG. 6 is a first end view of the cradle for mobile terminals of FIG. 1; and,

FIG. 7 is a second end view of the cradle for mobile terminals of FIG. 1.

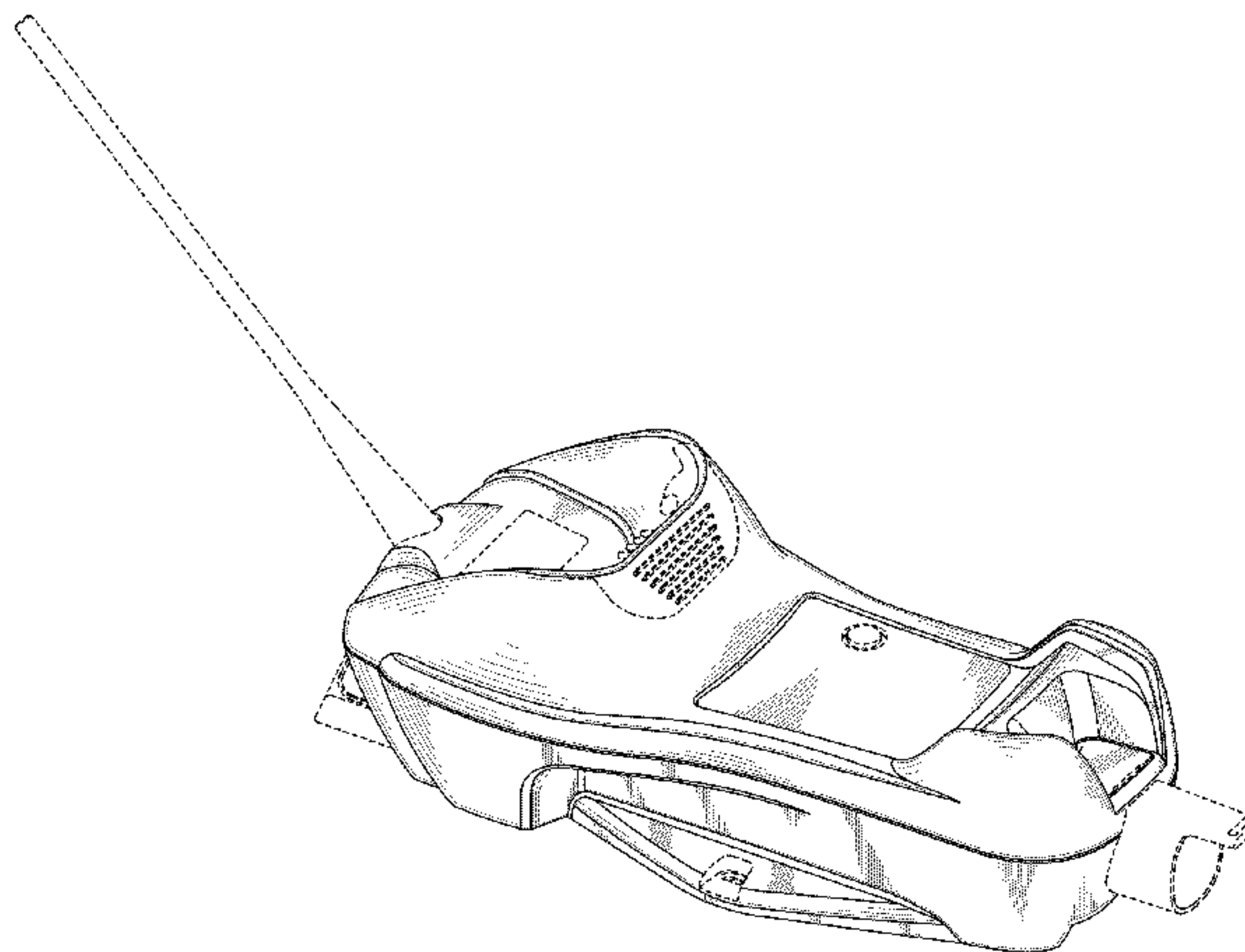
The bottom of the cradle for mobile terminals of FIG. 1 is flat and devoid of surface ornamentation.

The portions shown in broken line are not claimed.

The appearance of any portions of the cradle which are not shown in the drawings is not claimed.

Broken lines and unshaded portions contained within broken lines are not claimed.

1 Claim, 7 Drawing Sheets



(56)

References Cited

U.S. PATENT DOCUMENTS

| | | | | | | | | | | | |
|-----------|------|---------|----------------------|-------|------------|--------------|------|---------|-----------------|-------|------------|
| D378,916 | S * | 4/1997 | Kanno et al. | | D14/420 | 7,102,328 | B2 * | 9/2006 | Long et al. | | 320/115 |
| 5,661,292 | A | 8/1997 | Knowles et al. | | | D530,232 | S * | 10/2006 | Gist | | D10/65 |
| D386,176 | S * | 11/1997 | Diamantis et al. | | D14/149 | D538,290 | S * | 3/2007 | Johnson et al. | | D14/453 |
| 5,796,091 | A | 8/1998 | Schmidt et al. | | | 7,222,794 | B2 | 5/2007 | Kumagai et al. | | |
| 5,949,052 | A | 9/1999 | Longacre, Jr. et al. | | | D548,689 | S * | 8/2007 | Baxter | | D13/108 |
| D418,500 | S * | 1/2000 | Giordano et al. | | D14/429 | D551,618 | S * | 9/2007 | Aglassinger | | D13/108 |
| D425,077 | S * | 5/2000 | Hamilton | | D14/253 | D568,327 | S * | 5/2008 | Fitch et al. | | D14/453 |
| 6,123,263 | A | 9/2000 | Feng | | | 7,441,701 | B2 * | 10/2008 | Beck et al. | | 235/440 |
| 6,184,534 | B1 | 2/2001 | Stephany et al. | | | D583,370 | S * | 12/2008 | Grande | | D14/253 |
| 6,216,951 | B1 | 4/2001 | Swift et al. | | | 7,464,878 | B2 * | 12/2008 | Schmidt et al. | | 235/472.01 |
| D442,545 | S * | 5/2001 | Isonaga | | D13/108 | D601,498 | S * | 10/2009 | Aglassinger | | D13/107 |
| 6,394,355 | B1 | 5/2002 | Schlieffers et al. | | | 7,611,063 | B2 * | 11/2009 | Wilz et al. | | 235/462.45 |
| D466,511 | S * | 12/2002 | Croley et al. | | D14/434 | D629,003 | S * | 12/2010 | Alegiani | | D14/453 |
| 6,497,368 | B1 * | 12/2002 | Friend et al. | | 235/472.01 | 8,186,592 | B2 | 5/2012 | Fletcher | | |
| 6,532,314 | B1 * | 3/2003 | Plain et al. | | 382/312 | 8,590,795 | B2 * | 11/2013 | Vincenzi | | 235/472.02 |
| 6,637,658 | B2 * | 10/2003 | Barber et al. | | 235/462.45 | 8,600,407 | B2 * | 12/2013 | Wright et al. | | 455/456.2 |
| D489,322 | S * | 5/2004 | Sawai et al. | | D13/108 | 8,662,399 | B2 * | 3/2014 | Vassura et al. | | 235/472.01 |
| D493,801 | S * | 8/2004 | Byun | | D14/453 | 2003/0098350 | A1 | 5/2003 | Liou et al. | | |
| 6,832,729 | B1 | 12/2004 | Perry et al. | | | 2004/0206822 | A1 | 10/2004 | Crandall | | |
| 6,860,427 | B1 | 3/2005 | Schmidt et al. | | | 2006/0022039 | A1 * | 2/2006 | Beck et al. | | 235/440 |
| D517,086 | S * | 3/2006 | Siebel et al. | | D14/453 | 2006/0192015 | A1 * | 8/2006 | DiGiovanna | | 235/472.02 |
| 7,013,570 | B2 * | 3/2006 | Levine et al. | | 33/286 | 2006/0289654 | A1 | 12/2006 | Robinson et al. | | |
| 7,040,540 | B2 | 5/2006 | Knowles et al. | | | 2008/0041962 | A1 * | 2/2008 | Wilz et al. | | 235/462.45 |
| 7,048,188 | B2 | 5/2006 | Kumagai et al. | | | 2008/0149798 | A1 * | 6/2008 | Tinoco | | 248/346.04 |
| 7,051,940 | B2 | 5/2006 | Tamburrini et al. | | | 2010/0308116 | A1 | 12/2010 | Sani et al. | | |
| | | | | | | 2011/0069877 | A1 | 3/2011 | Vincenzi | | |
| | | | | | | 2011/0073658 | A1 | 3/2011 | Vassura et al. | | |
| | | | | | | 2012/0049784 | A1 * | 3/2012 | Klicpera | | 320/103 |

* cited by examiner

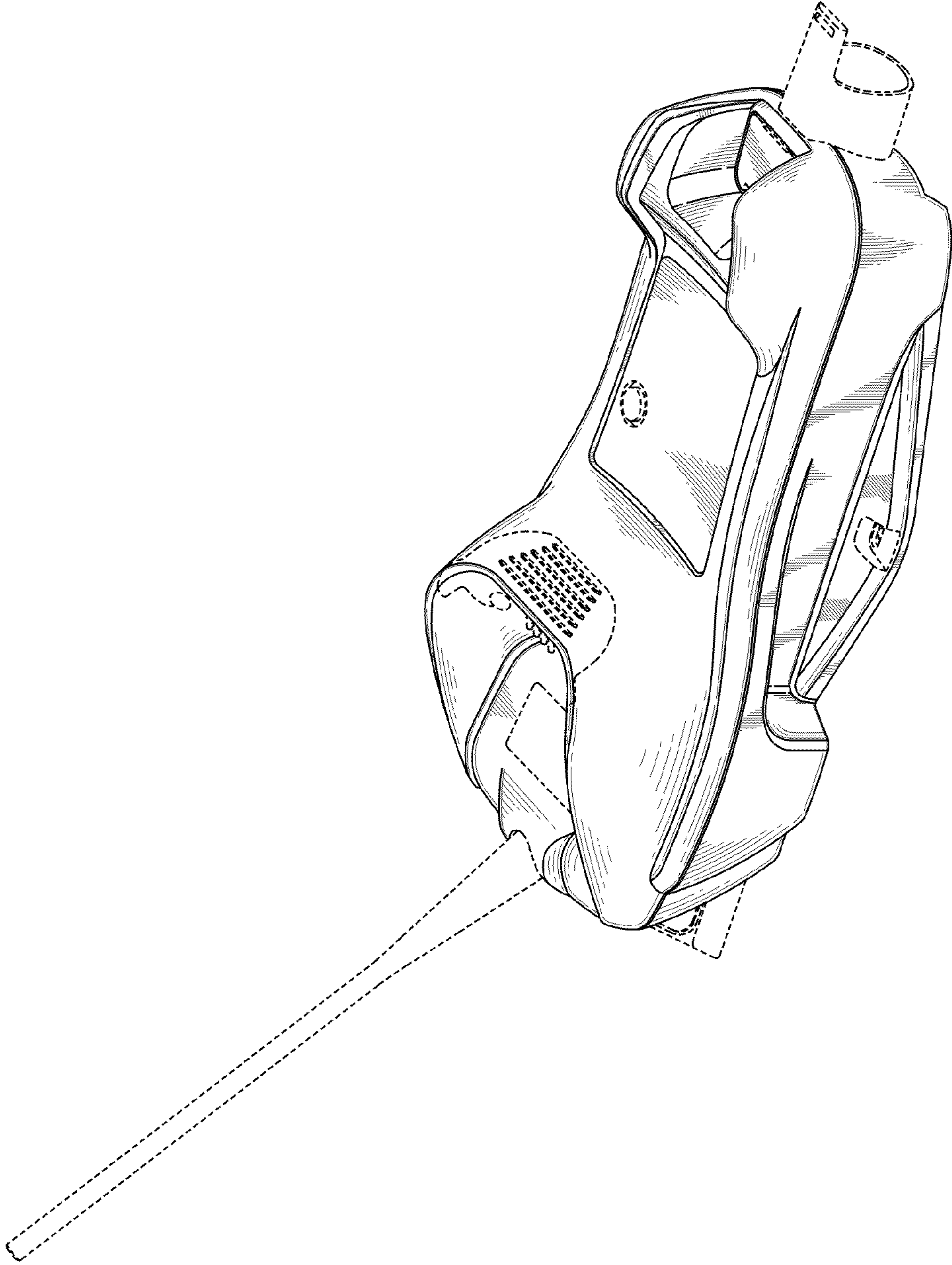


FIG. 1

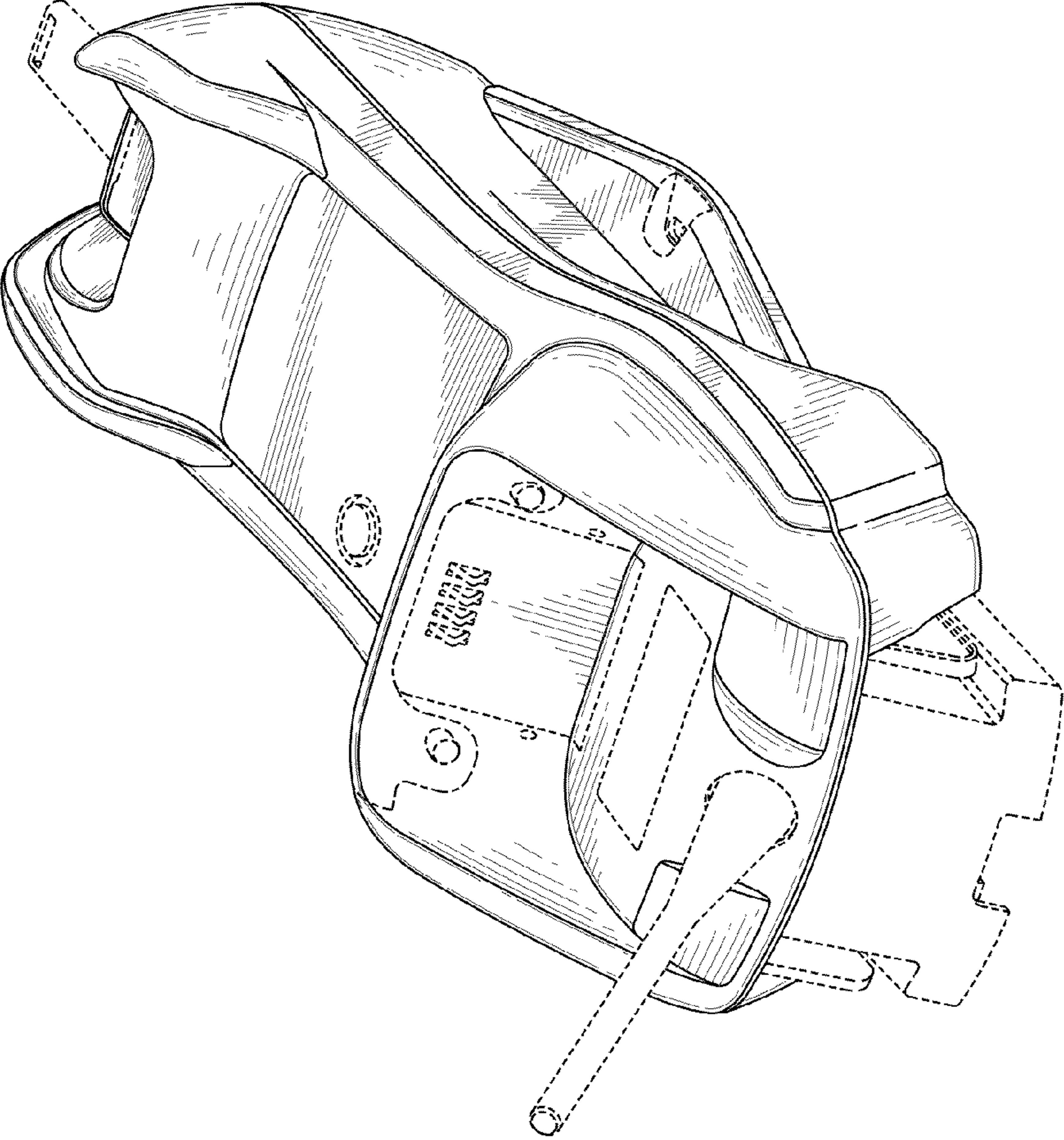


FIG. 2

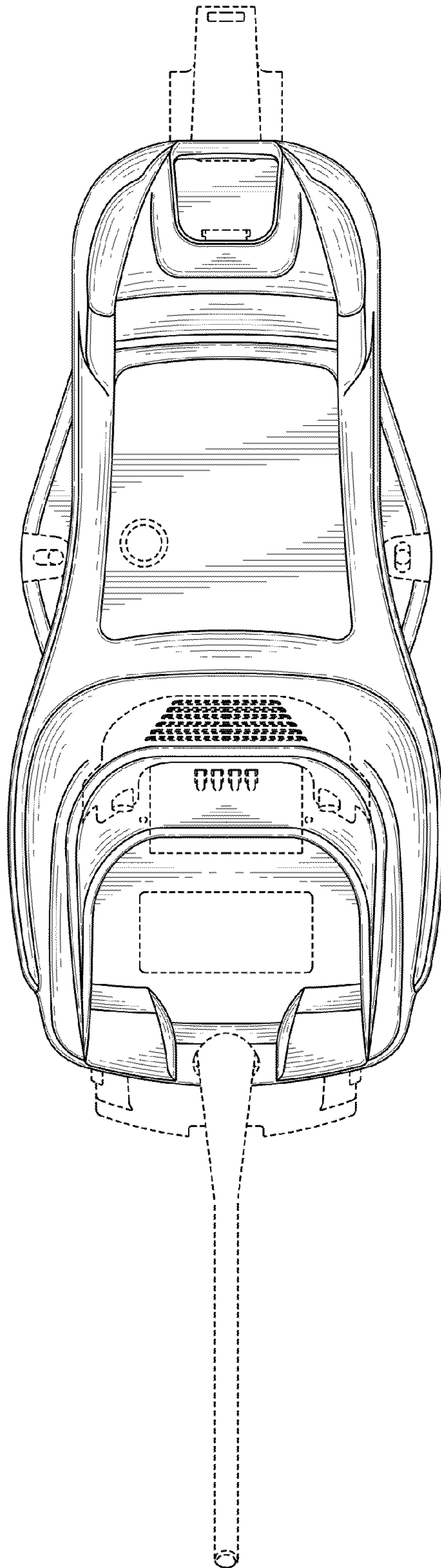


FIG. 3

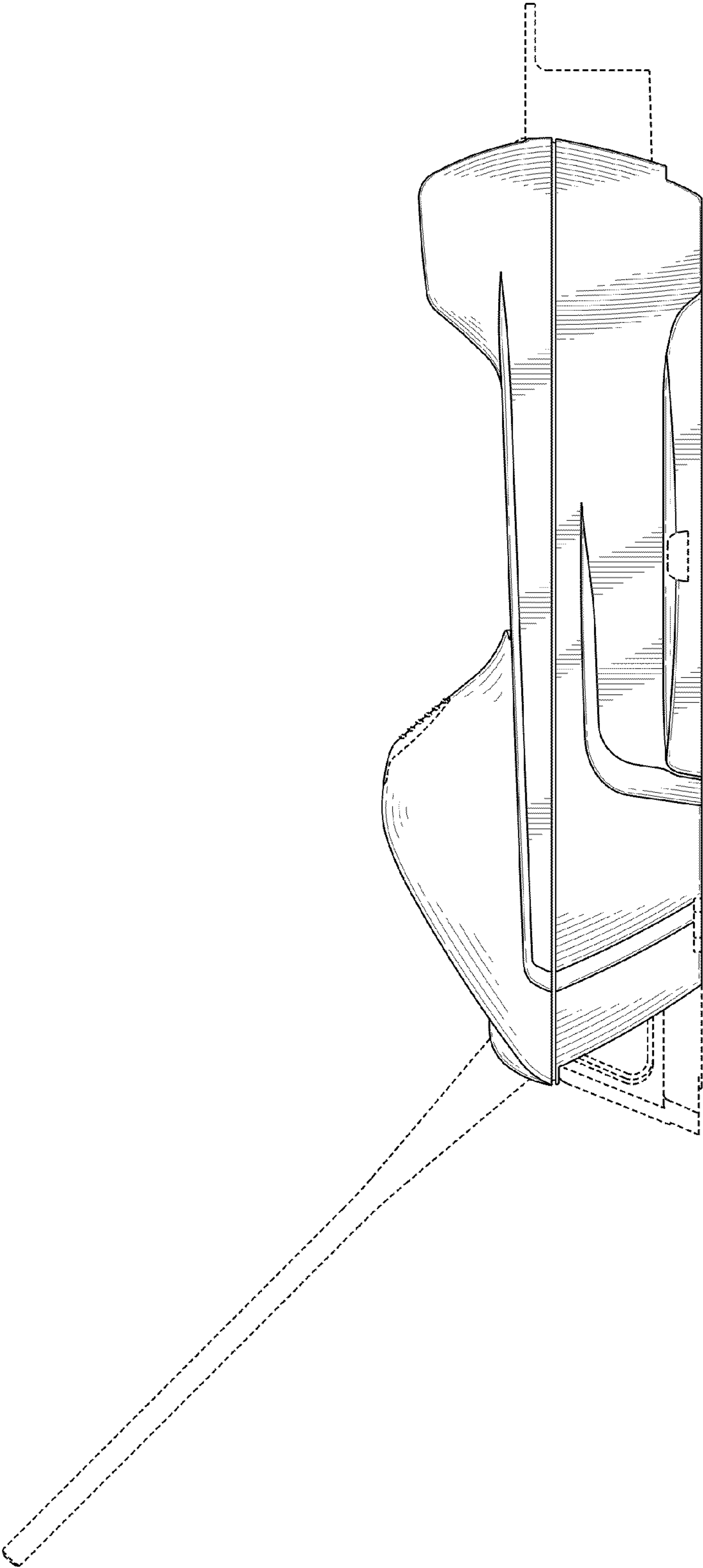


FIG. 4

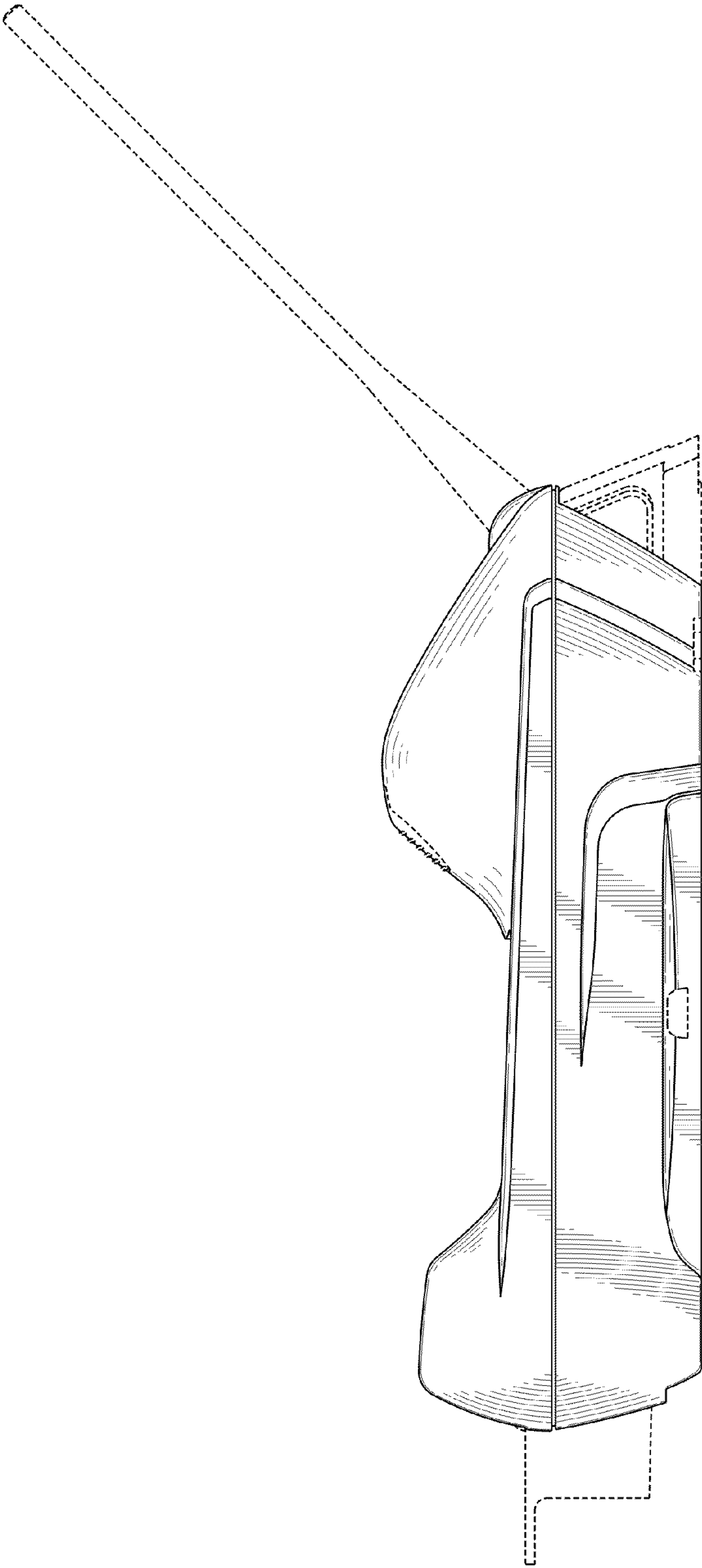


FIG. 5

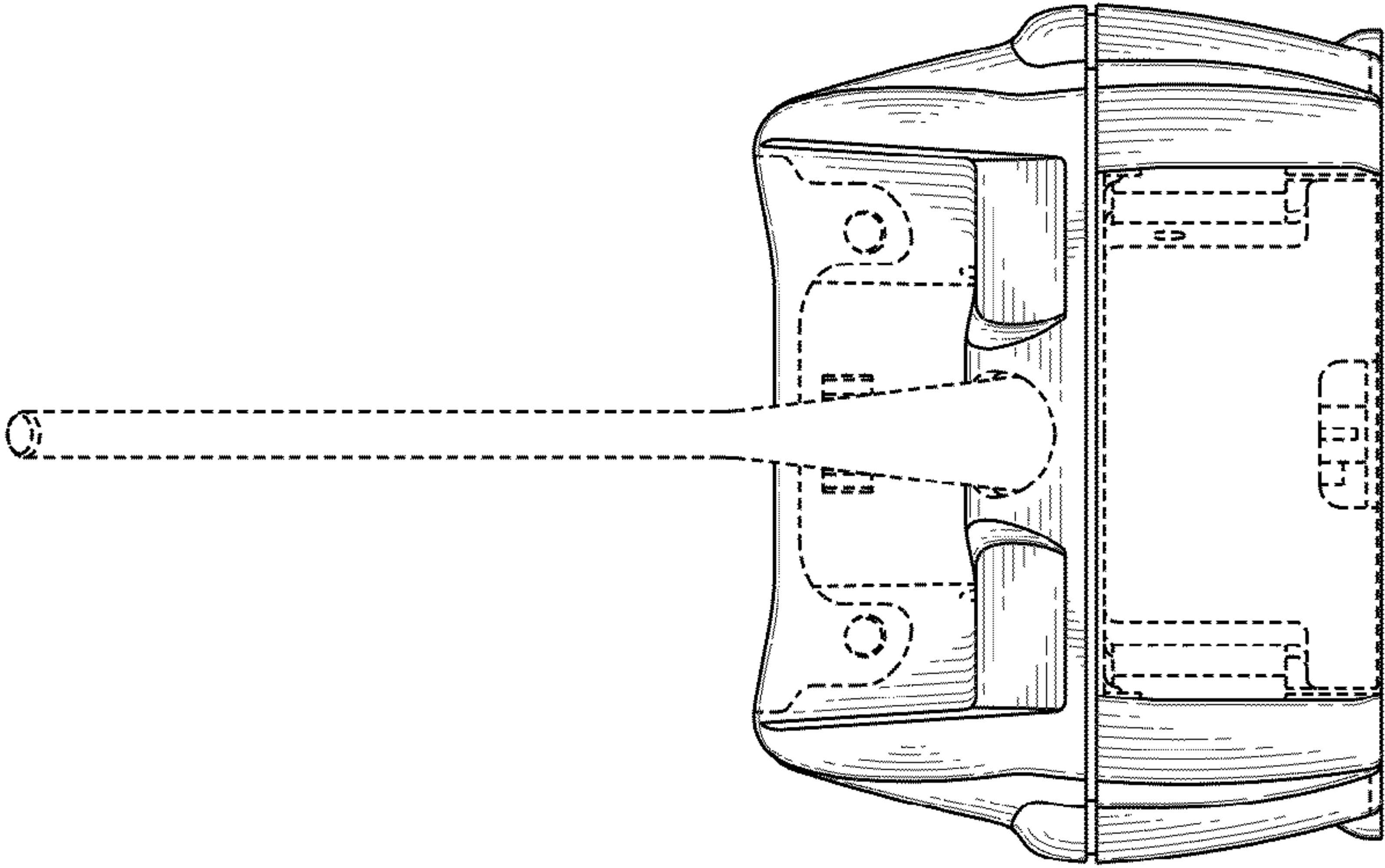


FIG. 6

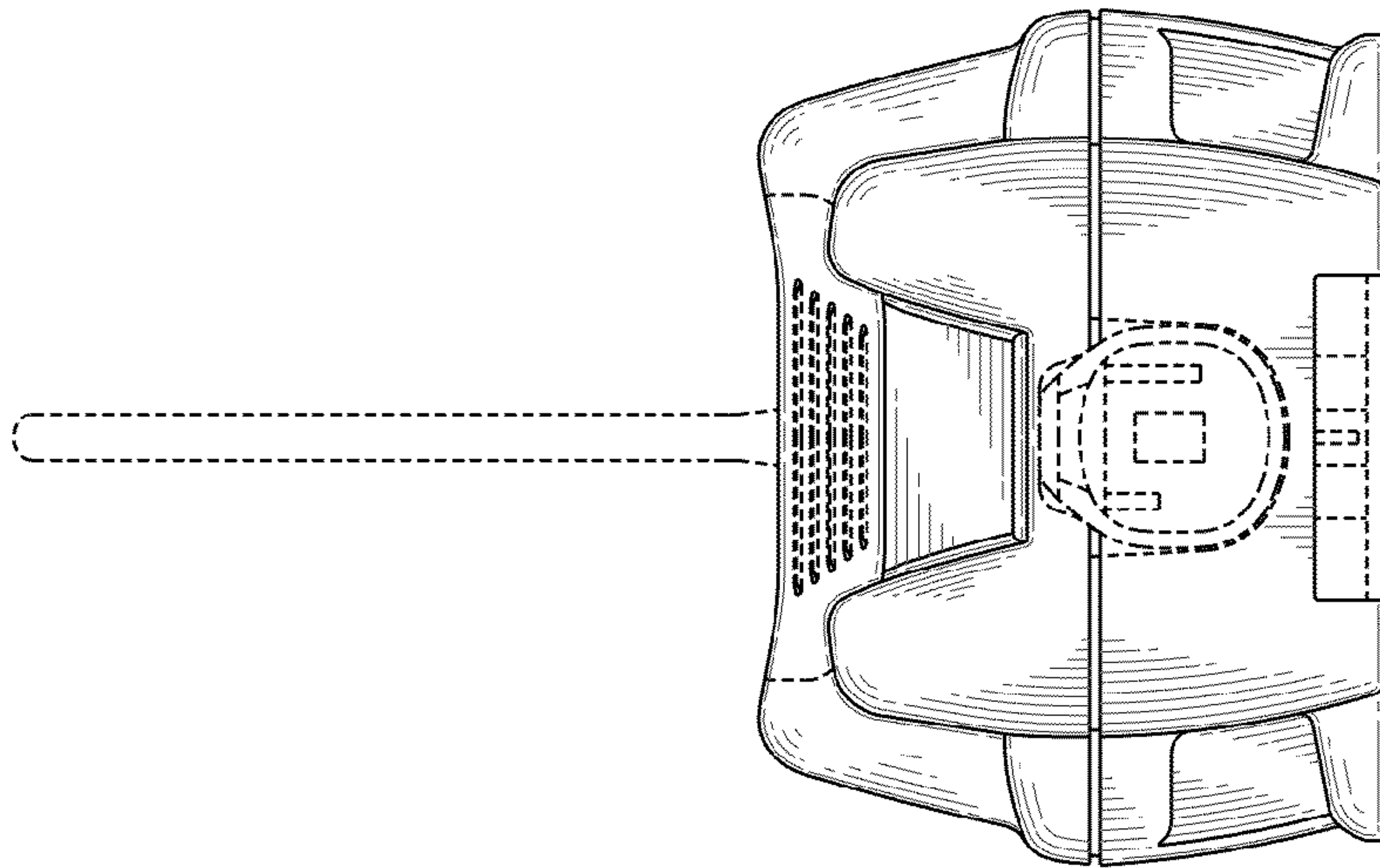


FIG. 7