



US00D716817S

(12) **United States Design Patent**
Yang

(10) **Patent No.:** **US D716,817 S**
(45) **Date of Patent:** **** Nov. 4, 2014**

- (54) **TABLET CASE**
- (71) Applicant: **Anker Technology Co., Limited,**
Kowloon (HK)
- (72) Inventor: **Meng Yang,** Santa Clara, CA (US)
- (73) Assignee: **Anker Technology Co., Limited,** Hong
Kong (HK)
- (**) Term: **14 Years**
- (21) Appl. No.: **29/480,582**
- (22) Filed: **Jan. 28, 2014**

D658,167	S	*	4/2012	Buesseler et al.	D14/251
D676,449	S	*	2/2013	Probst et al.	D14/440
D677,260	S	*	3/2013	Hong et al.	D14/447
D678,260	S	*	3/2013	Bau	D14/250
D678,884	S	*	3/2013	Phillips et al.	D14/440
D684,978	S	*	6/2013	Phillips et al.	D14/440
D693,826	S	*	11/2013	Ashida et al.	D14/447
D694,245	S	*	11/2013	Sanz	D14/440
2012/0194448	A1	*	8/2012	Rothkopf	345/173

- (30) **Foreign Application Priority Data**
- Dec. 16, 2013 (EM) 002371088-0001
- (51) **LOC (10) Cl.** **08-07**
- (52) **U.S. Cl.**
USPC **D14/447**
- (58) **Field of Classification Search**
USPC D14/447, 432, 433, 434, 439, 440, 451,
D14/452, 457, 459, 460, 461, 251, 253, 448,
D14/449, 450; D9/433, 455, 457; D20/10,
D20/25; D6/672, 674, 674.1, 678, 682,
D6/682.3; 40/124.05, 124.06, 124.07,
40/124.08, 124.09, 124.14, 124.16, 539;
248/917-924, 445, 447.1, 451, 456,
248/459, 460, 150, 152, 174, 188.6, 176.1;
361/679.02, 679.09, 679.21, 679.26,
361/679.3, 679.27, 679.55, 679.56
See application file for complete search history.

OTHER PUBLICATIONS

<http://www.logitech.com.cn/zh-cn/product/folio-protective-case-for-ipad?crd=1325>; "Logitech iF410 protective sleeve for iPad Air", Feb. 28, 2014.

<http://51buy.biz/product-10634-def-viewpic.html>; "Logitech iF410IPADmini Protective Sleeve", Mar. 21, 2014.

* cited by examiner

Primary Examiner — Angela J Lee
(74) *Attorney, Agent, or Firm* — Finnegan, Henderson, Farabow, Garrett & Dunner, LLP

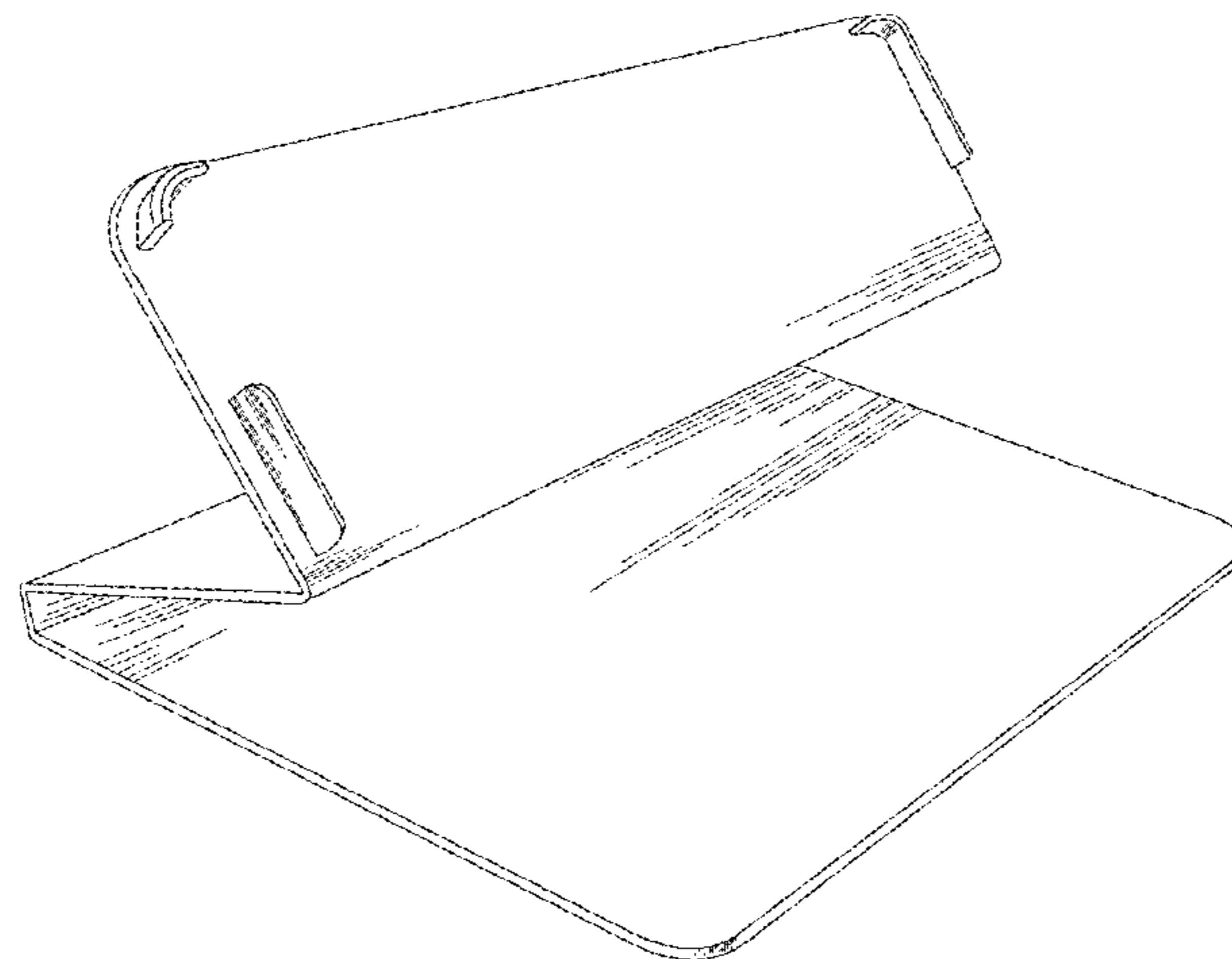
- (56) **References Cited**
- U.S. PATENT DOCUMENTS**
- D574,375 S * 8/2008 Prest et al. D14/253
- D590,404 S * 4/2009 Kim et al. D14/447
- D636,395 S * 4/2011 Anderson et al. D14/434
- D647,881 S * 11/2011 Warner D14/217

(57) **CLAIM**
The ornamental design for a tablet case, as shown and described.

DESCRIPTION

FIG. 1 is a front perspective view of a tablet case showing my new design in an partially open configuration;
FIG. 2 is a front elevation view thereof;
FIG. 3 is a right side view thereof;
FIG. 4 is a left side view thereof;
FIG. 5 is a rear elevation view thereof;
FIG. 6 is an enlarged top plan view thereof;
FIG. 7 is an enlarged bottom view thereof;
FIG. 8 is a second front perspective view thereof in an second partially open configuration; and,
FIG. 9 is a top front perspective view thereof in a fully open configuration.

1 Claim, 7 Drawing Sheets



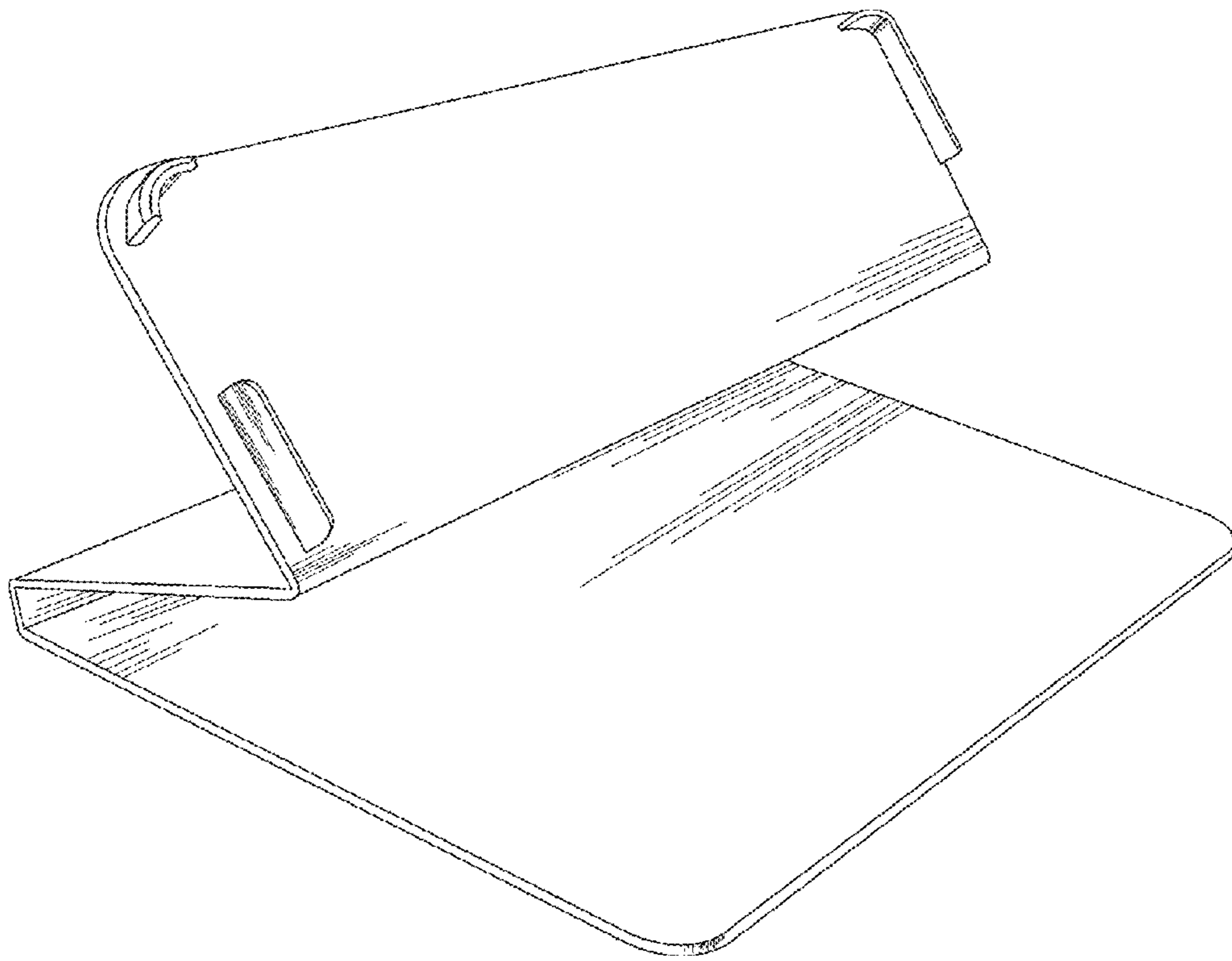


Fig. 1



Fig. 2



Fig. 3

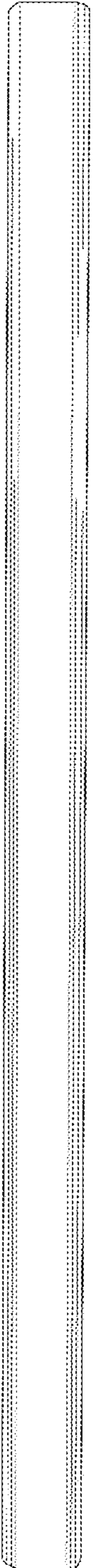


Fig. 4

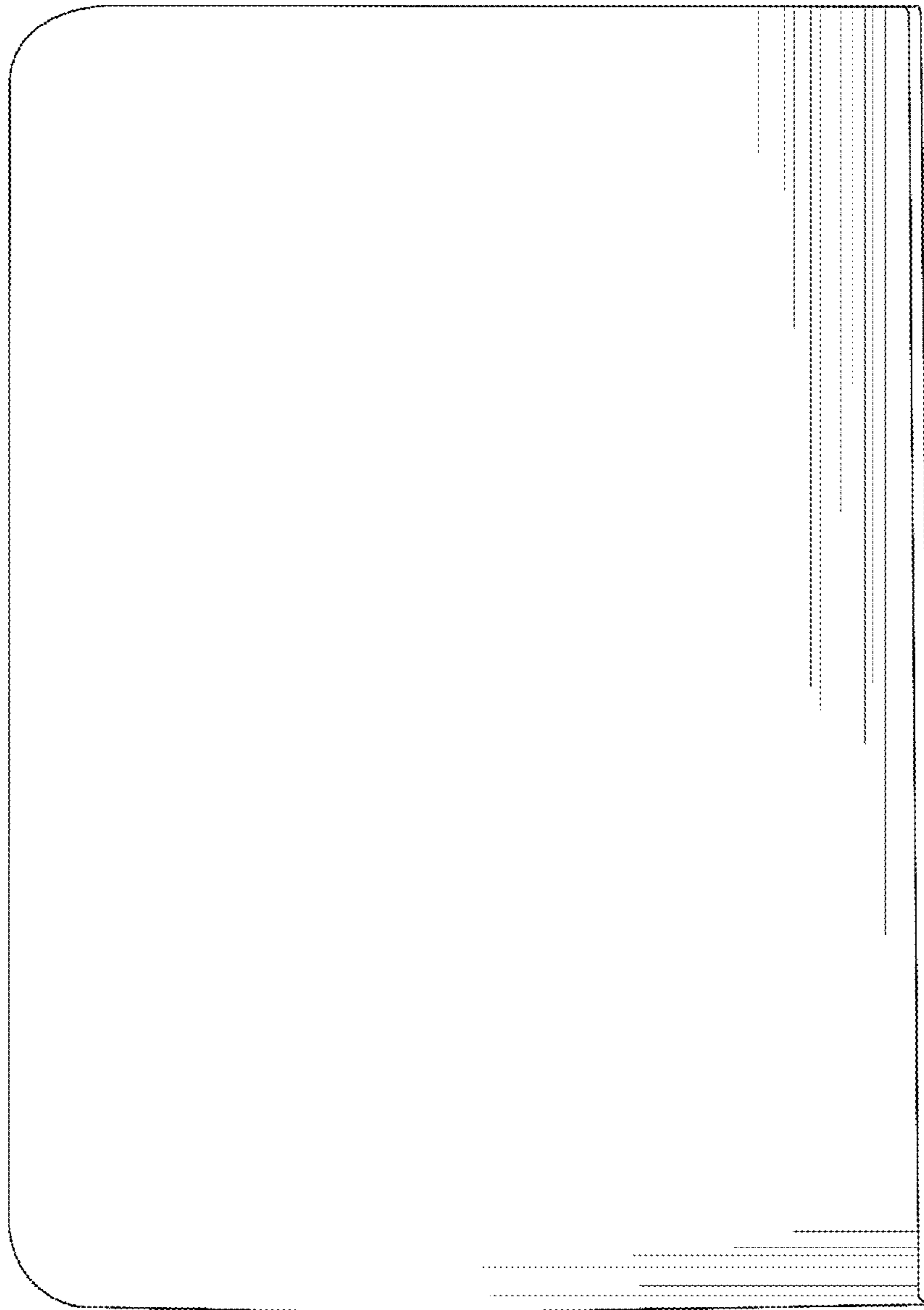


Fig. 5

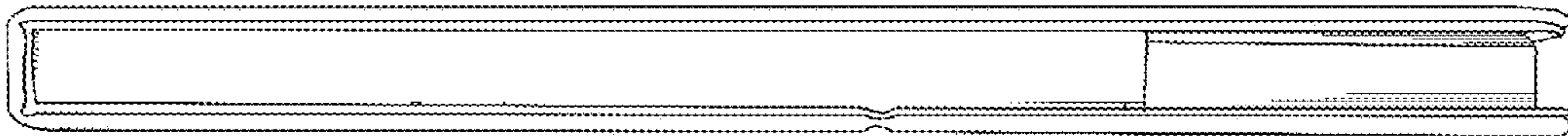


Fig. 6

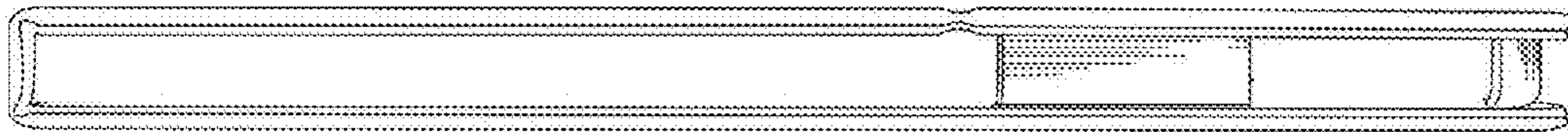


Fig. 7

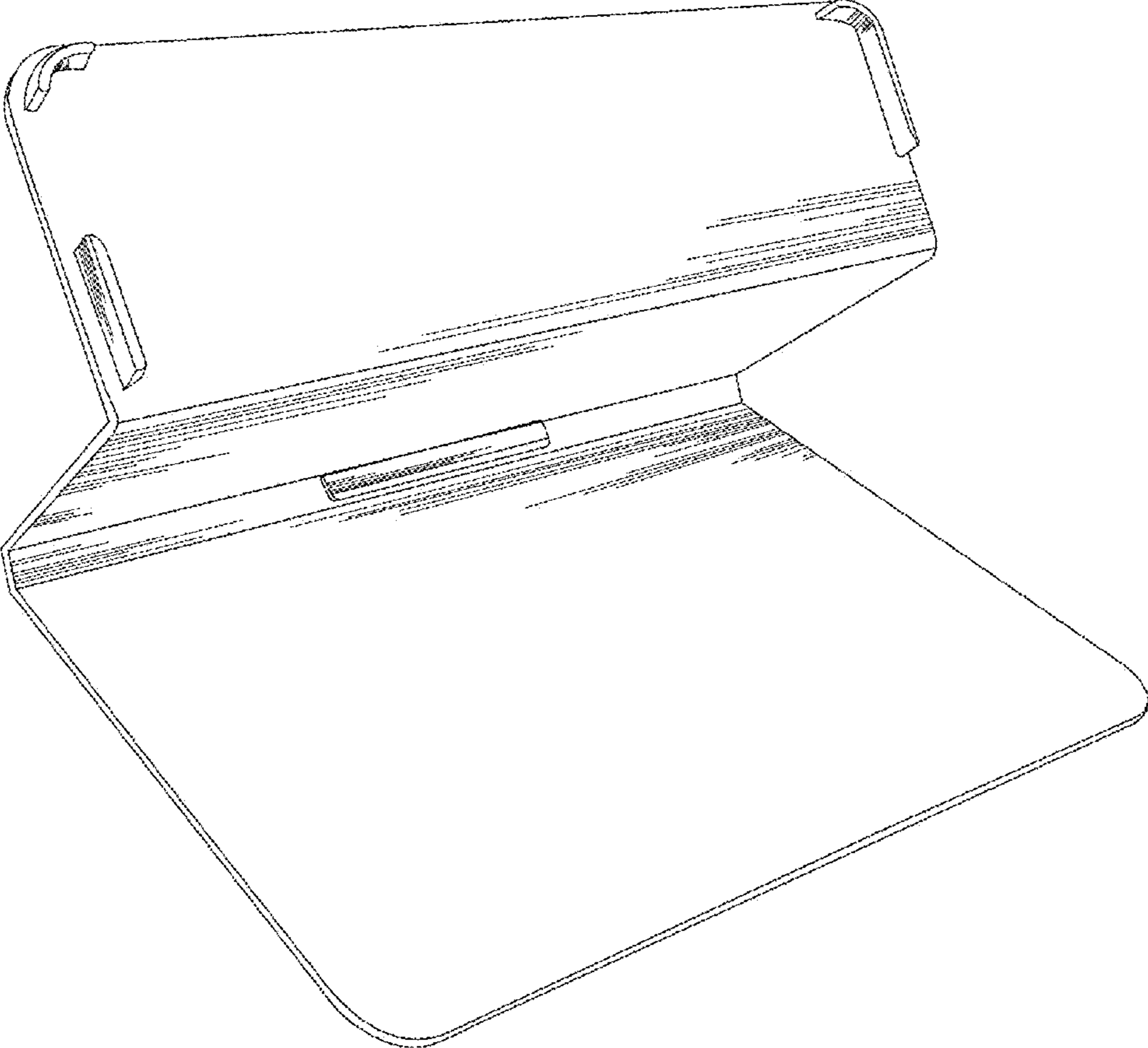


Fig. 8

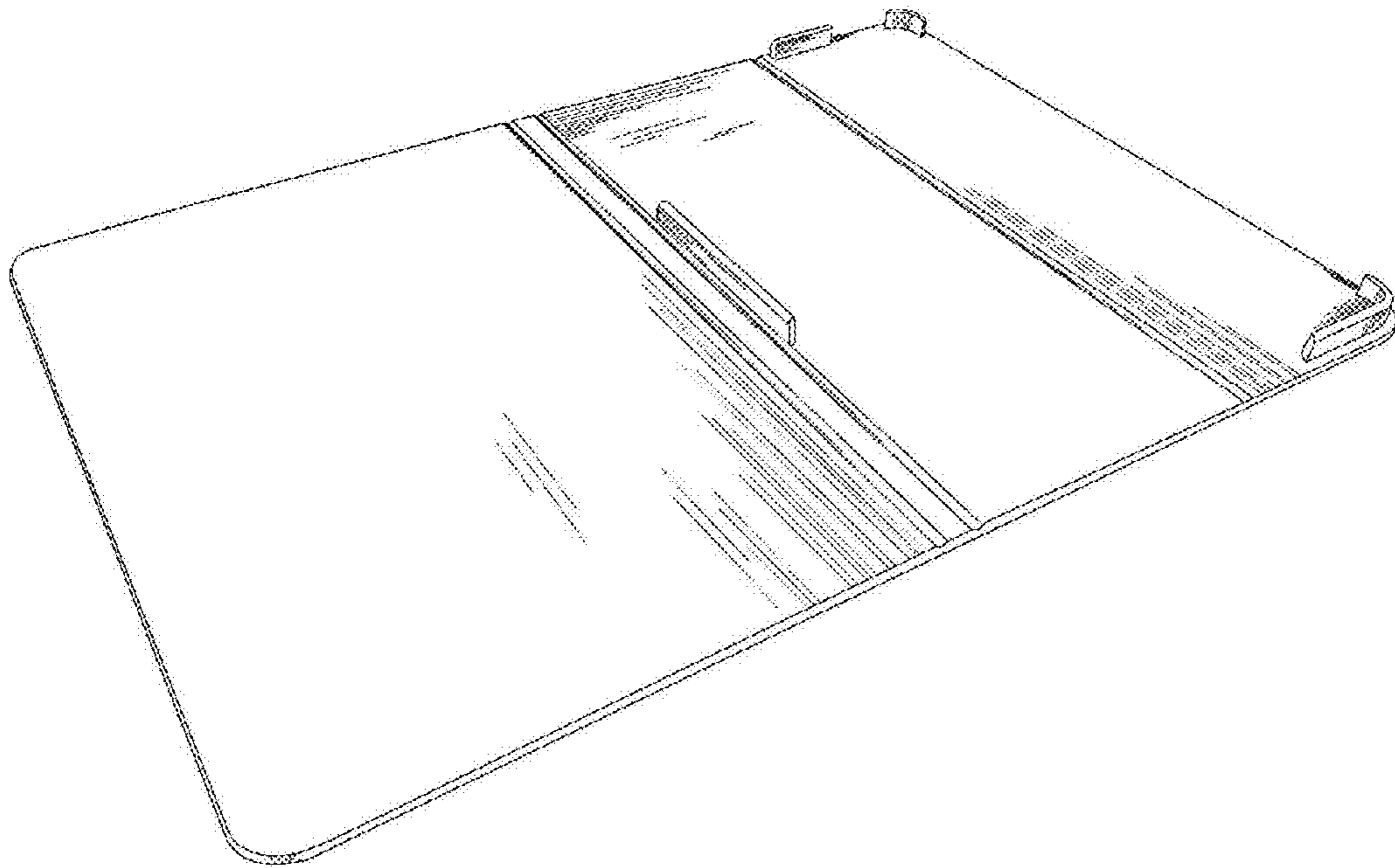


Fig. 9

UNITED STATES PATENT AND TRADEMARK OFFICE
CERTIFICATE OF CORRECTION

PATENT NO. : D716,817 S
APPLICATION NO. : 29/480582
DATED : November 4, 2014
INVENTOR(S) : Yang

Page 1 of 1

It is certified that error appears in the above-identified patent and that said Letters Patent is hereby corrected as shown below:

On the Title Page, **DESCRIPTION**

delete

FIG. 1 is a front perspective view of a tablet case showing my new design in an partially open configuration;” and insert -- FIG. 1 is a front perspective view of a tablet case showing my new design in a partially open configuration; --.

delete

FIG. 8 is a second front perspective view thereof in an second partially open configuration;” and insert -- FIG. 8 is a second front perspective view thereof in a second partially open configuration; --.

Signed and Sealed this
Third Day of March, 2015



Michelle K. Lee
Deputy Director of the United States Patent and Trademark Office