



US00D716816S

(12) **United States Design Patent**
Hatzav et al.

(10) **Patent No.:** **US D716,816 S**
(45) **Date of Patent:** **** Nov. 4, 2014**

(54) **SCANNER**

(71) Applicants: **Iuval Hatzav**, Culver City, CA (US);
Ilan Ben-Shahar, Savion (IL); **Giyora Sharaby**, Moshav Neve Yarak (IL);
Daniel Hatzav, Hod Hasharon (IL)

(72) Inventors: **Iuval Hatzav**, Culver City, CA (US);
Ilan Ben-Shahar, Savion (IL); **Giyora Sharaby**, Moshav Neve Yarak (IL);
Daniel Hatzav, Hod Hasharon (IL)

(**) Term: **14 Years**

(21) Appl. No.: **29/443,310**

(22) Filed: **Jan. 16, 2013**

(51) **LOC (10) Cl.** **14-02**

(52) **U.S. Cl.**

USPC **D14/425**; D14/421

(58) **Field of Classification Search**

USPC D14/420–425; D18/55, 49, 46, 40,
D18/36–39, 41, 44, 45, 47, 48, 50–54, 56;
235/462, 455, 470, 462.43, 482, 483;
358/474, 486, 488, 496, 497, 498, 452,
358/449, 451, 453, 1.13; 318/685, 696;
355/81, 75; 399/405, 367, 379, 380;
382/217; 715/209, 222, 226, 274;
400/613, 613.1–613.4, 690.1–690.4,
400/691–694

See application file for complete search history.

(56) **References Cited**

U.S. PATENT DOCUMENTS

D130,492 S * 11/1941 MacCowan D10/97
D210,753 S * 4/1968 Raczynski D18/39
D217,104 S * 4/1970 Gianfagna D18/36
D219,311 S * 11/1970 Reick D18/36
D222,706 S * 12/1971 Saito et al. D18/39
D234,699 S * 4/1975 Conway et al. D14/385

D261,661 S * 11/1981 Charland et al. D18/36
D270,541 S * 9/1983 Matsuzaka D18/36
D275,201 S * 8/1984 Taylor et al. D18/36
D277,006 S * 1/1985 Takahashi et al. D14/422
D290,959 S * 7/1987 Ooie D14/462
D292,294 S * 10/1987 Nishibori et al. D18/36
D294,357 S * 2/1988 Klein et al. D18/55
D295,285 S * 4/1988 Nishibori D18/39
D295,412 S * 4/1988 Izaki D14/422
D295,852 S * 5/1988 Naps et al. D14/420
D296,903 S * 7/1988 Ooie D18/36
D299,826 S * 2/1989 Takahashi D14/422
D309,730 S * 8/1990 Makidera D14/422
D311,417 S * 10/1990 Kosako et al. D18/39
D311,909 S * 11/1990 Chen D14/420
D316,724 S * 5/1991 Kosako et al. D18/39
D320,409 S * 10/1991 Kosako et al. D18/39
D321,006 S * 10/1991 Takahashi et al. D18/39
D328,095 S * 7/1992 Sugihara et al. D18/39

(Continued)

Primary Examiner — Susan Moon Lee

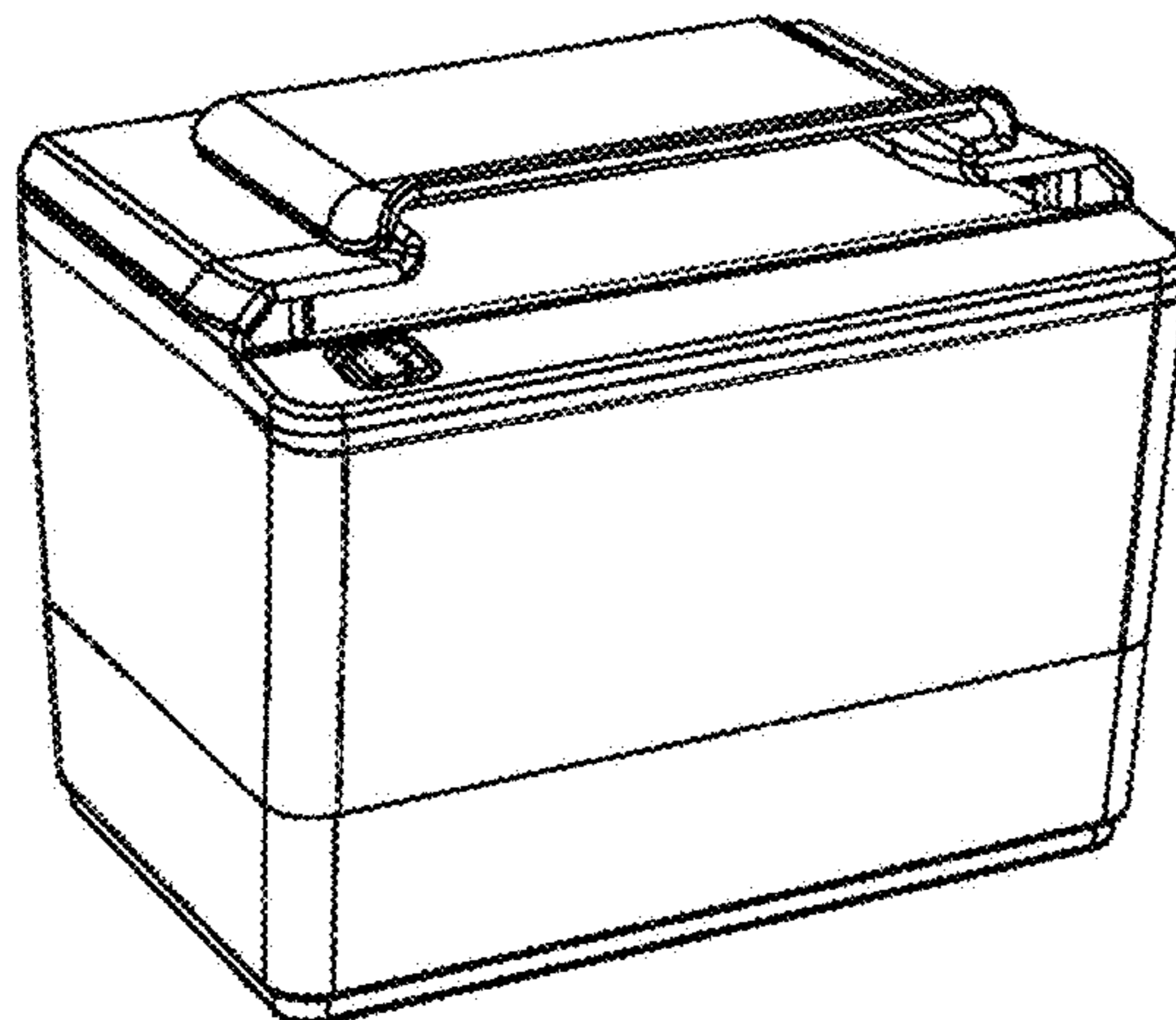
(57) **CLAIM**

The ornamental design for a scanner, as shown and described herein.

DESCRIPTION

FIG. 1 is a front elevation view of a scanner embodying our new design;
FIG. 2 is a rear elevation view of the embodiment of FIG. 1.
FIG. 3 is a right side view of the embodiment of FIG. 1.
FIG. 4 is a left side view of the embodiment of FIG. 1.
FIG. 5 is a top plan view of the embodiment of FIG. 1.
FIG. 6 is a bottom plan view of the embodiment of FIG. 1.
FIG. 7 is a top, front and right side perspective view of the embodiment of FIG. 1.
FIG. 8 is a top, front and right side perspective view of the embodiment of FIG. 1, when the cover is lifted; and,
FIG. 9 is a bottom, front, and right perspective view of the embodiment of FIG. 1.
Elements shown in broken lines are not claimed.

1 Claim, 9 Drawing Sheets



(56)

References Cited

U.S. PATENT DOCUMENTS

D328,609 S * 8/1992 Isida D18/36
 D334,770 S * 4/1993 Isomoto et al. D18/39
 D339,151 S * 9/1993 Ratzlaff D18/36
 D339,370 S * 9/1993 Sugihara et al. D18/39
 D343,390 S * 1/1994 Tarbutt et al. D14/422
 D350,766 S * 9/1994 Tomatsu et al. D18/39
 D353,829 S * 12/1994 Onoda D18/39
 D362,675 S * 9/1995 Umeda et al. D18/39
 D368,256 S * 3/1996 Stropkay et al. D14/420
 D373,786 S * 9/1996 Kondo D18/39
 D378,099 S * 2/1997 Yoshida et al. D18/36
 D388,820 S * 1/1998 Umeda et al. D18/39
 D398,334 S * 9/1998 Komatsu D18/36
 D432,161 S * 10/2000 Takeuchi D18/39
 D453,933 S * 2/2002 Mulcahy et al. D14/420

D550,761 S * 9/2007 Clark, III D18/39
 D558,818 S * 1/2008 Yonekawa et al. D18/39
 D621,441 S * 8/2010 Kim D18/39
 D624,956 S * 10/2010 Park et al. D18/39
 D624,957 S * 10/2010 Park et al. D18/39
 7,843,611 B2 * 11/2010 Albahri 358/474
 D640,940 S * 7/2011 Libman et al. D10/49
 D676,903 S * 2/2013 Kim et al. D18/50
 D678,083 S * 3/2013 Breuer et al. D10/49
 D678,786 S * 3/2013 Rodriguez et al. D10/49
 8,453,930 B2 * 6/2013 Mukawa et al. 235/454
 D689,864 S * 9/2013 Vaughan et al. D14/421
 8,622,305 B2 * 1/2014 Barkan 235/462.41
 2004/0049097 A1 * 3/2004 Miyake 600/150
 2005/0129108 A1 * 6/2005 Bendall et al. 375/240.01
 2007/0158422 A1 * 7/2007 Mazzone et al. 235/454
 2010/0133344 A1 * 6/2010 Yamanouchi et al. ... 235/462.43

* cited by examiner

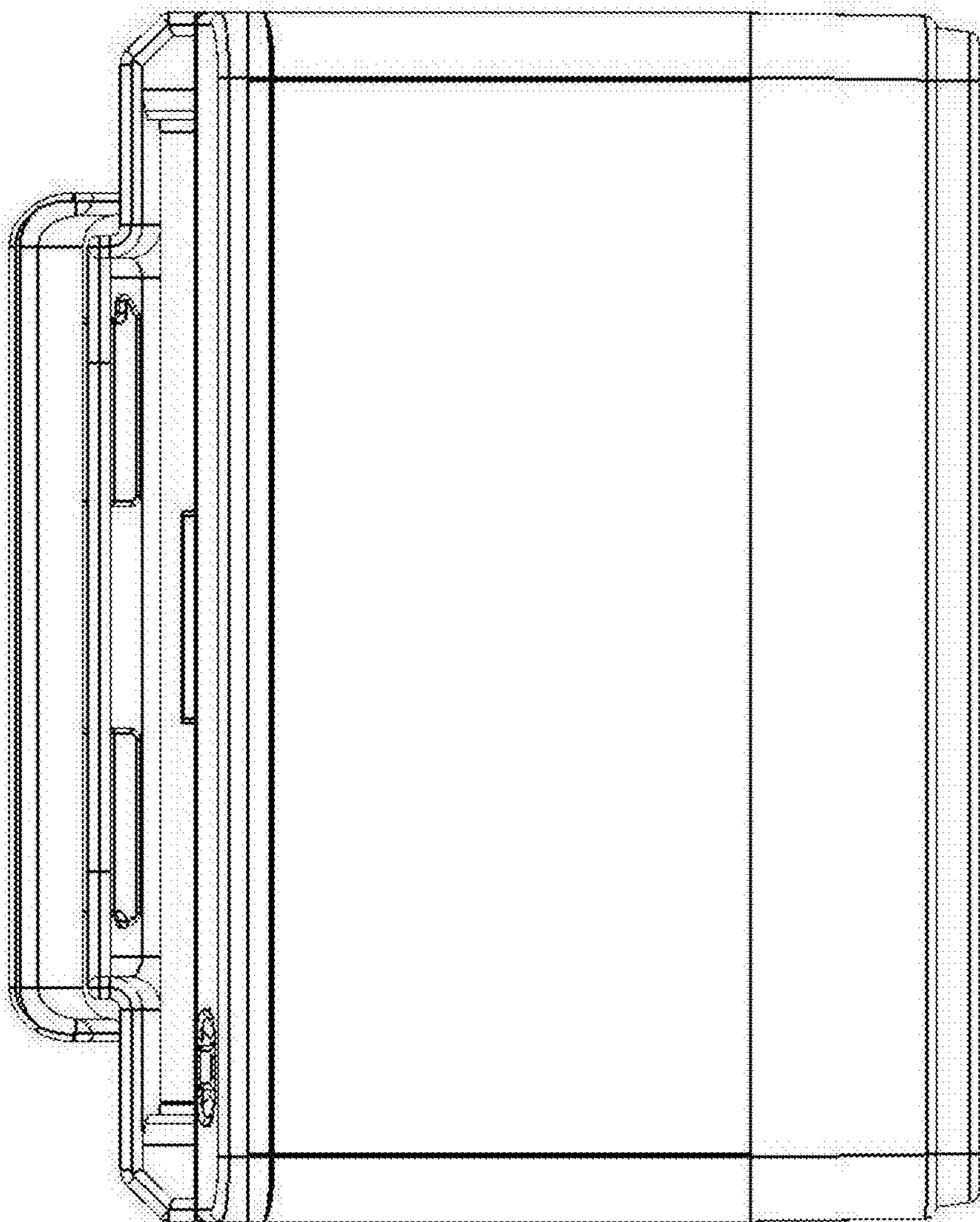


Fig 1

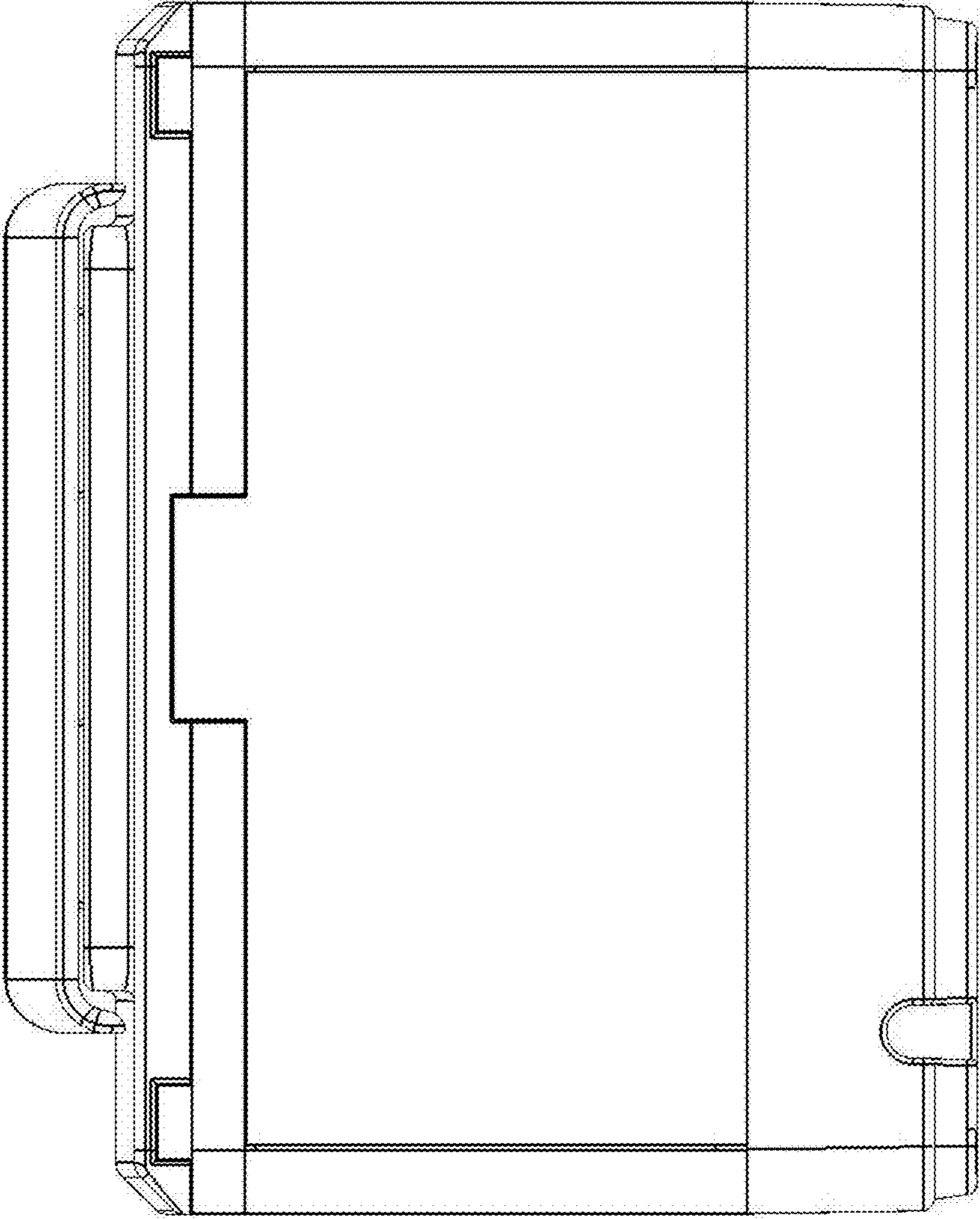


Fig 2

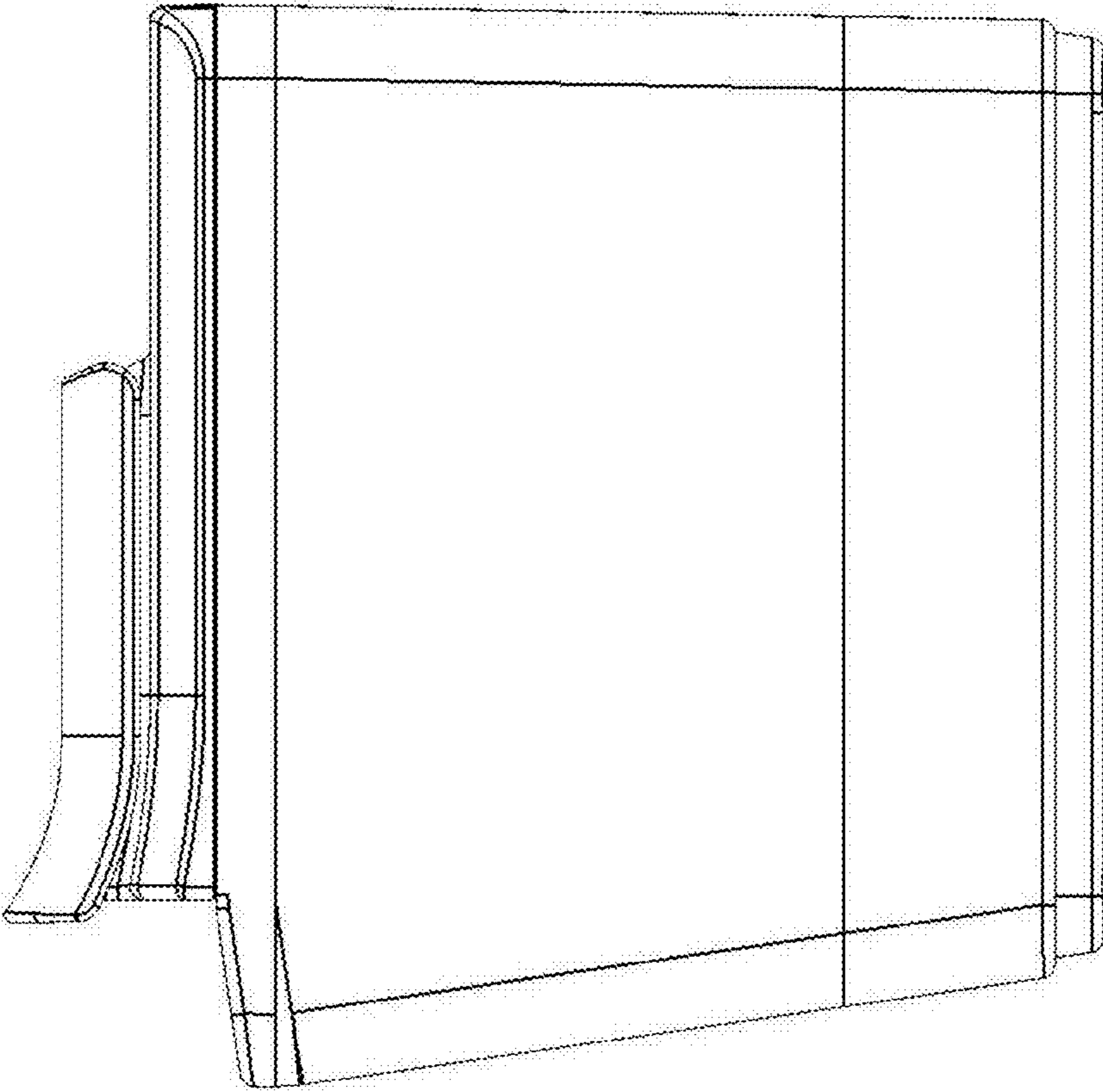


Fig 3

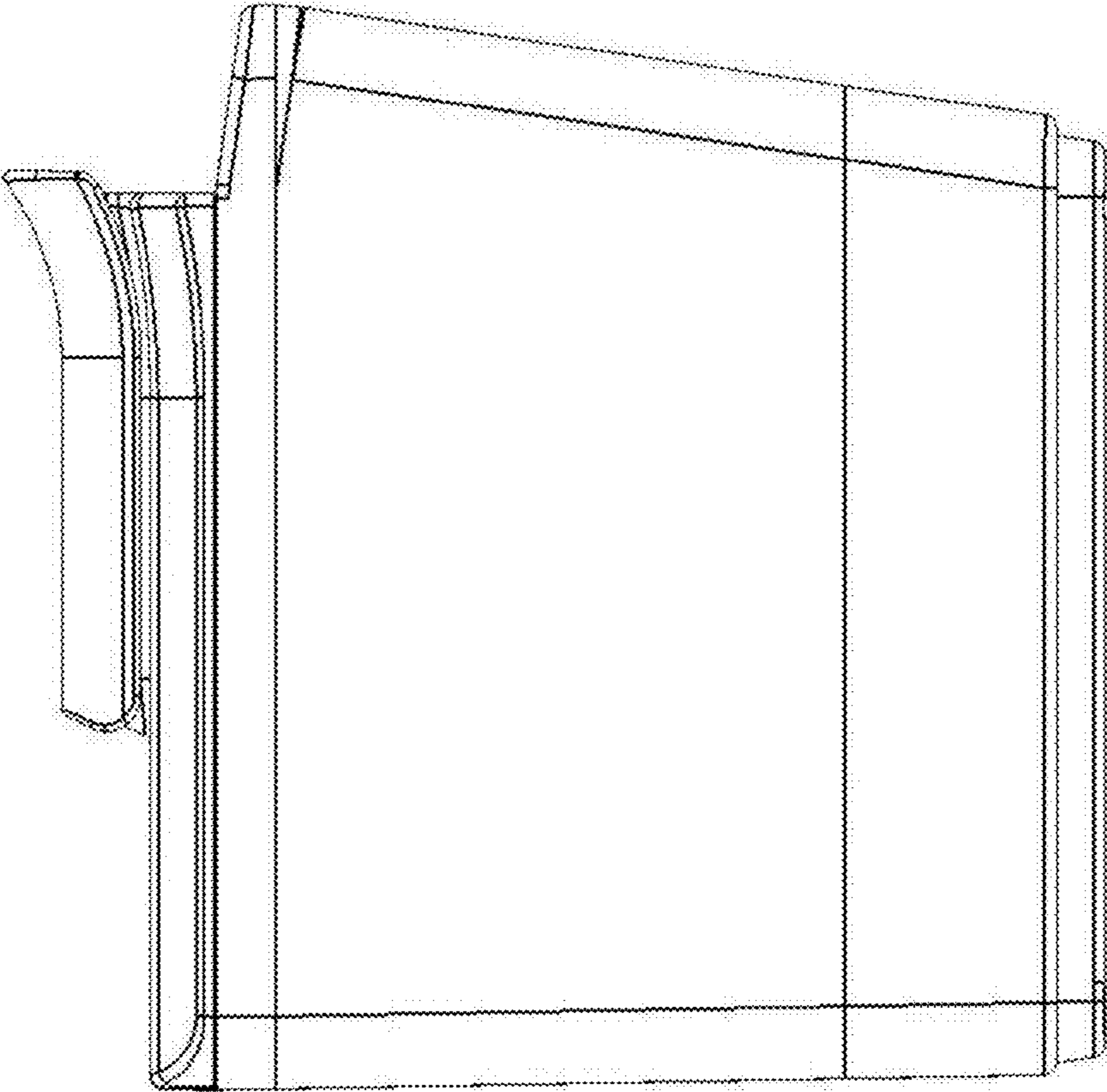


Fig 4

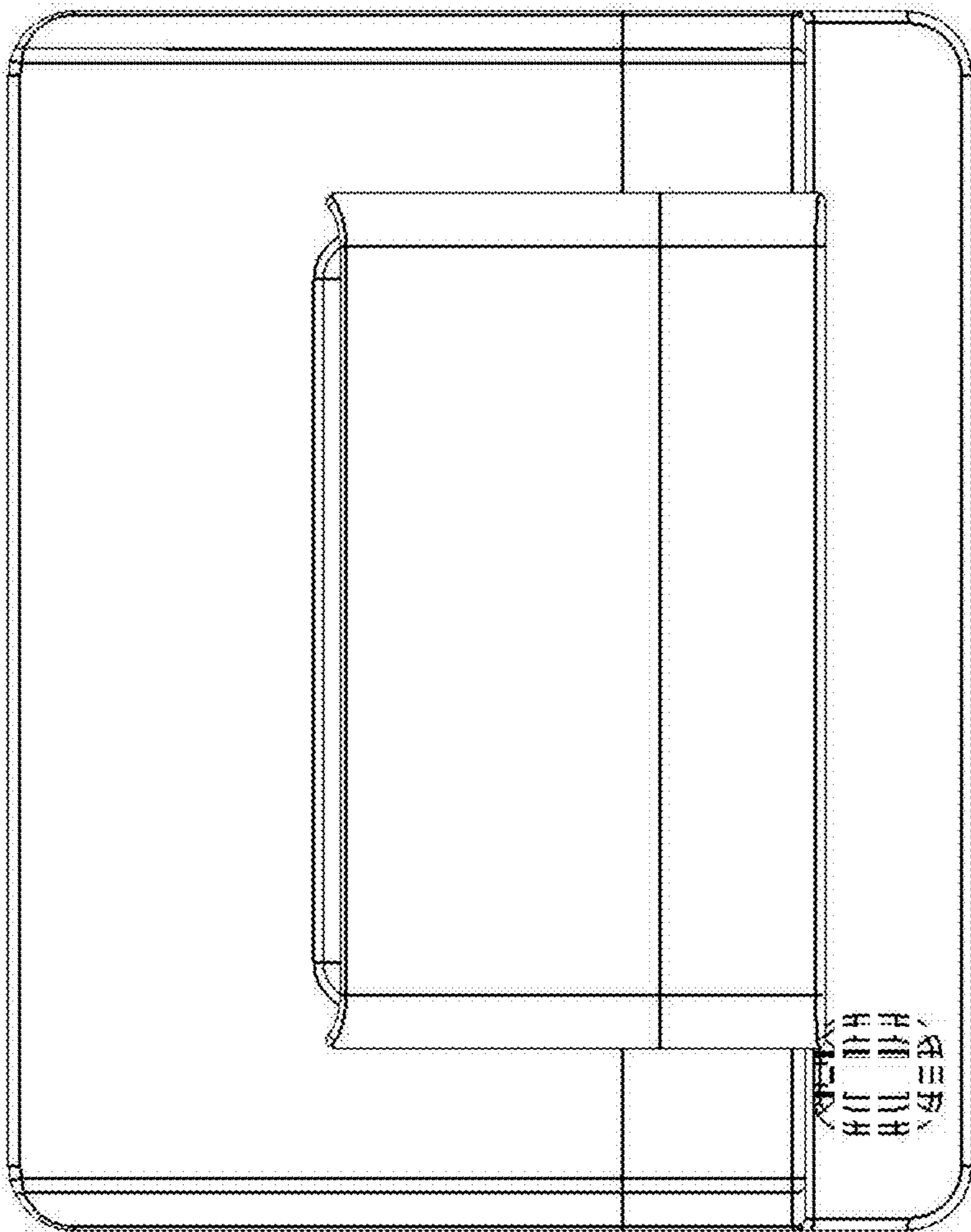


Fig 5

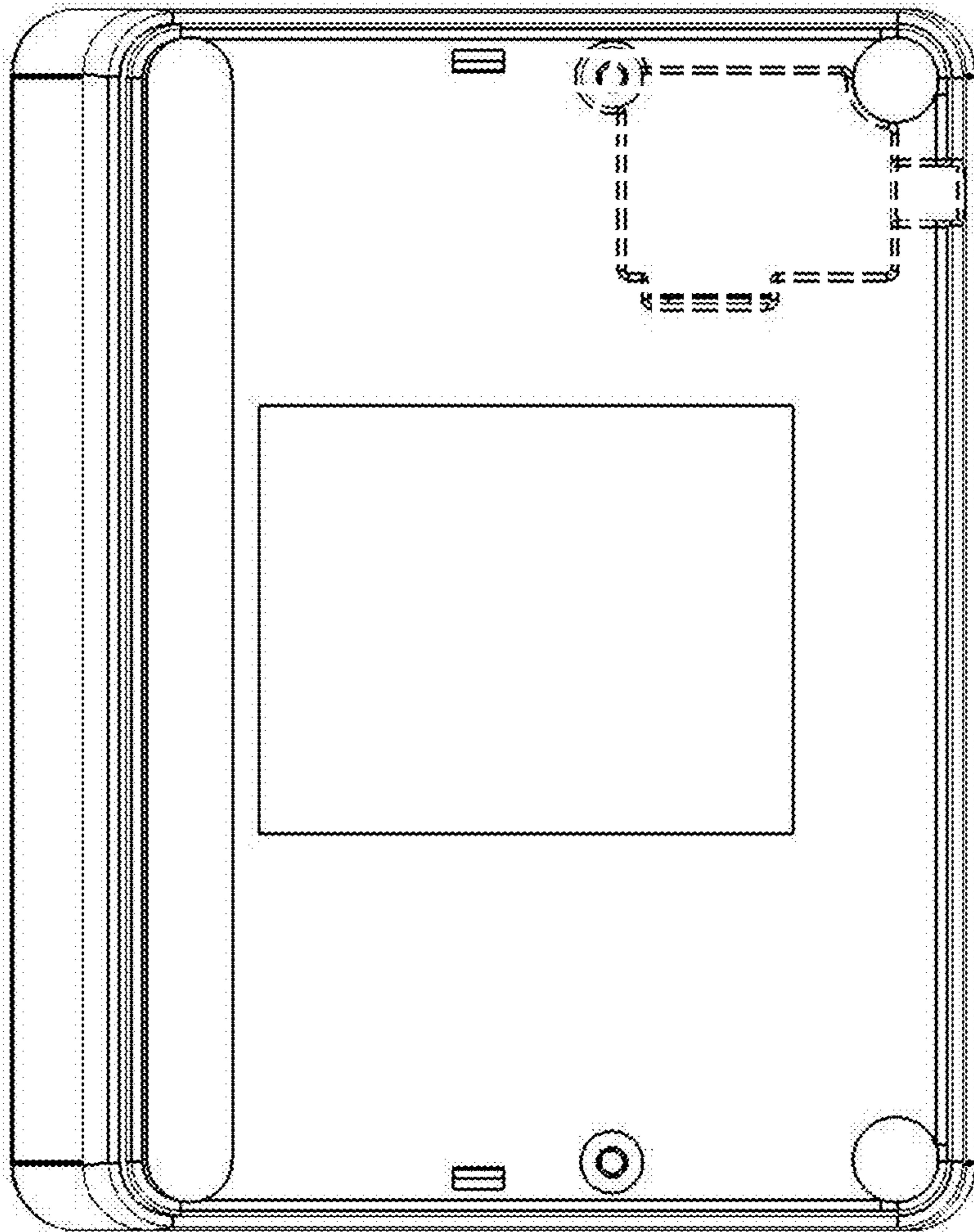


Fig 6

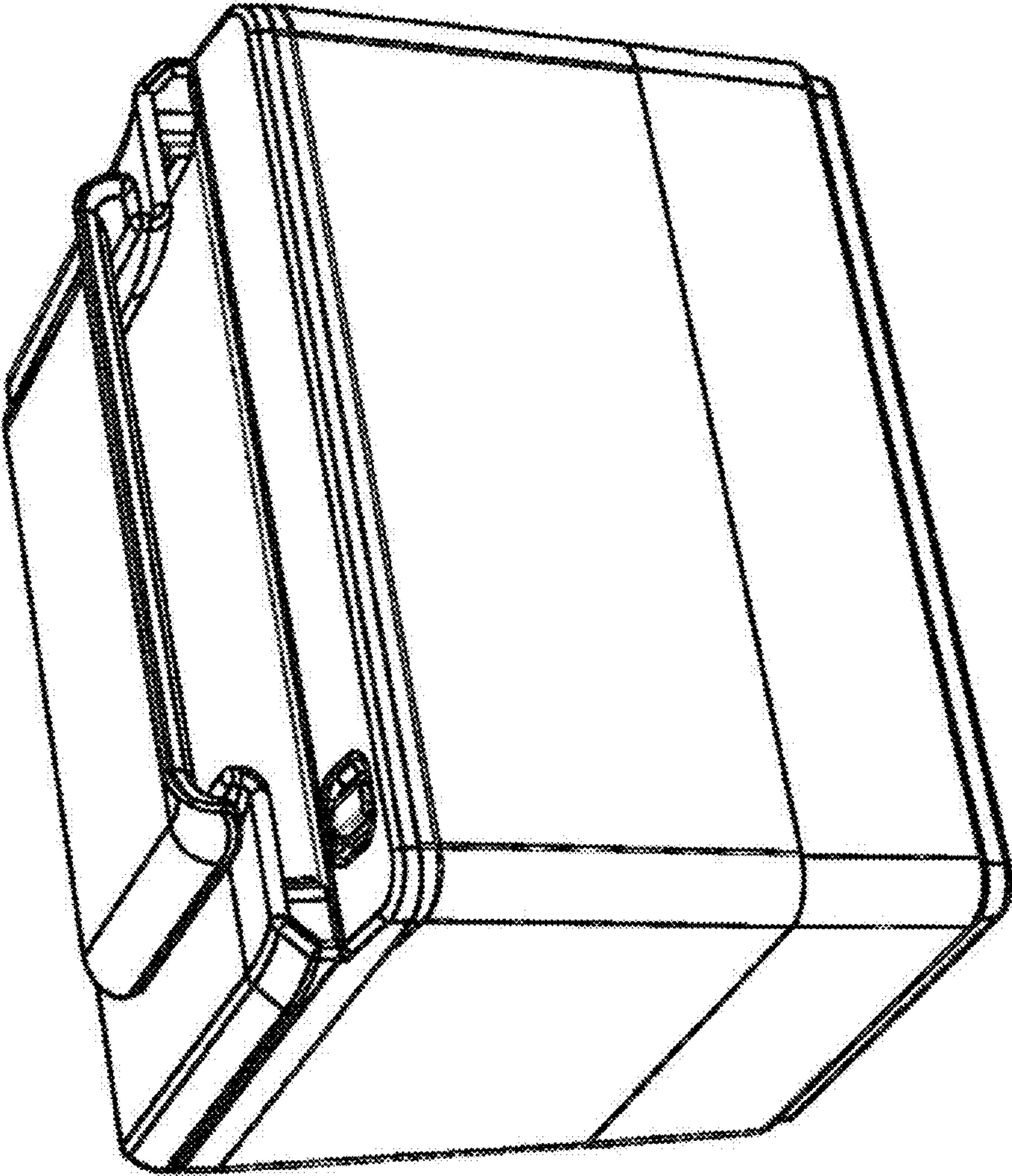


Fig 7

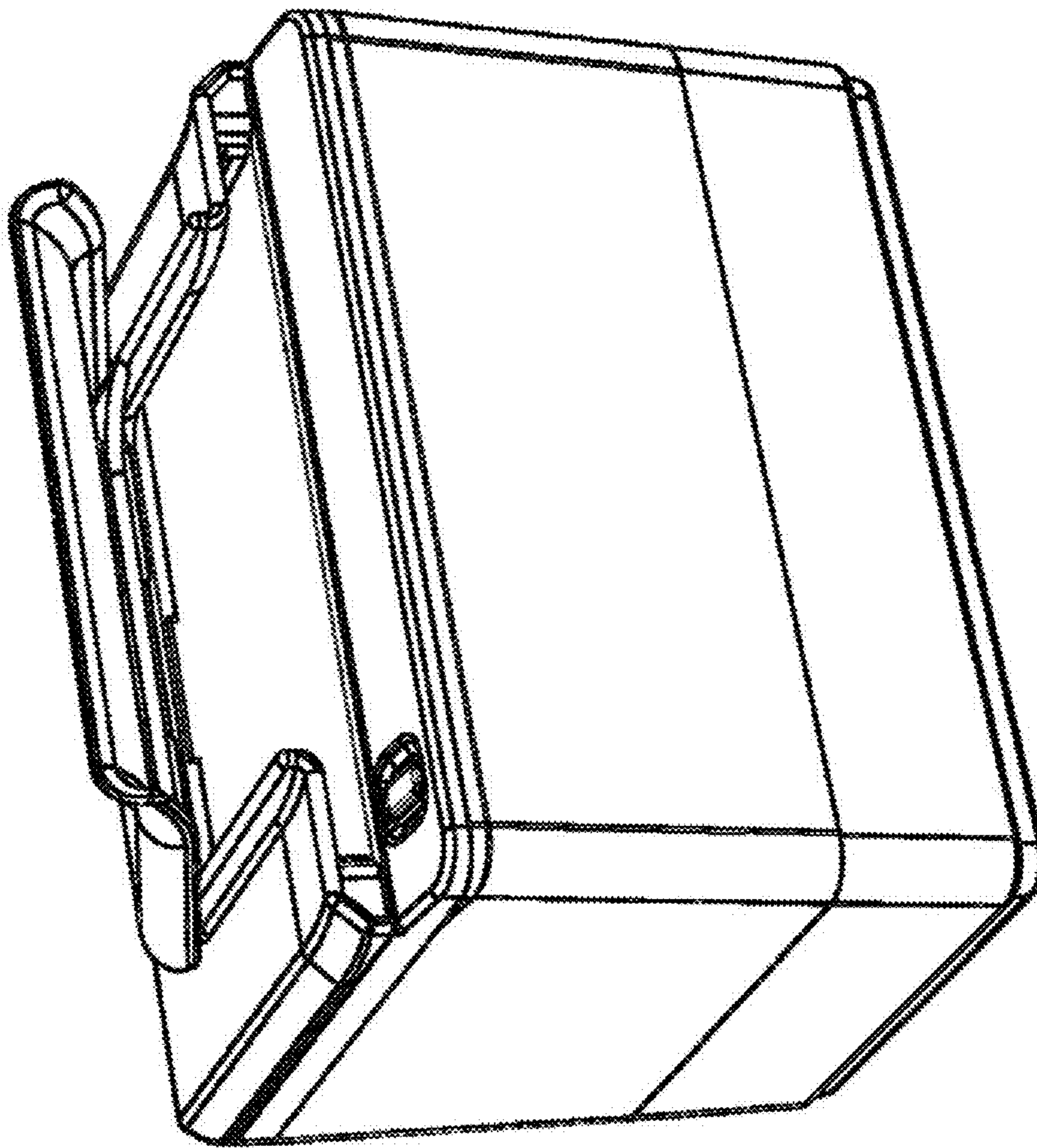


Fig 8

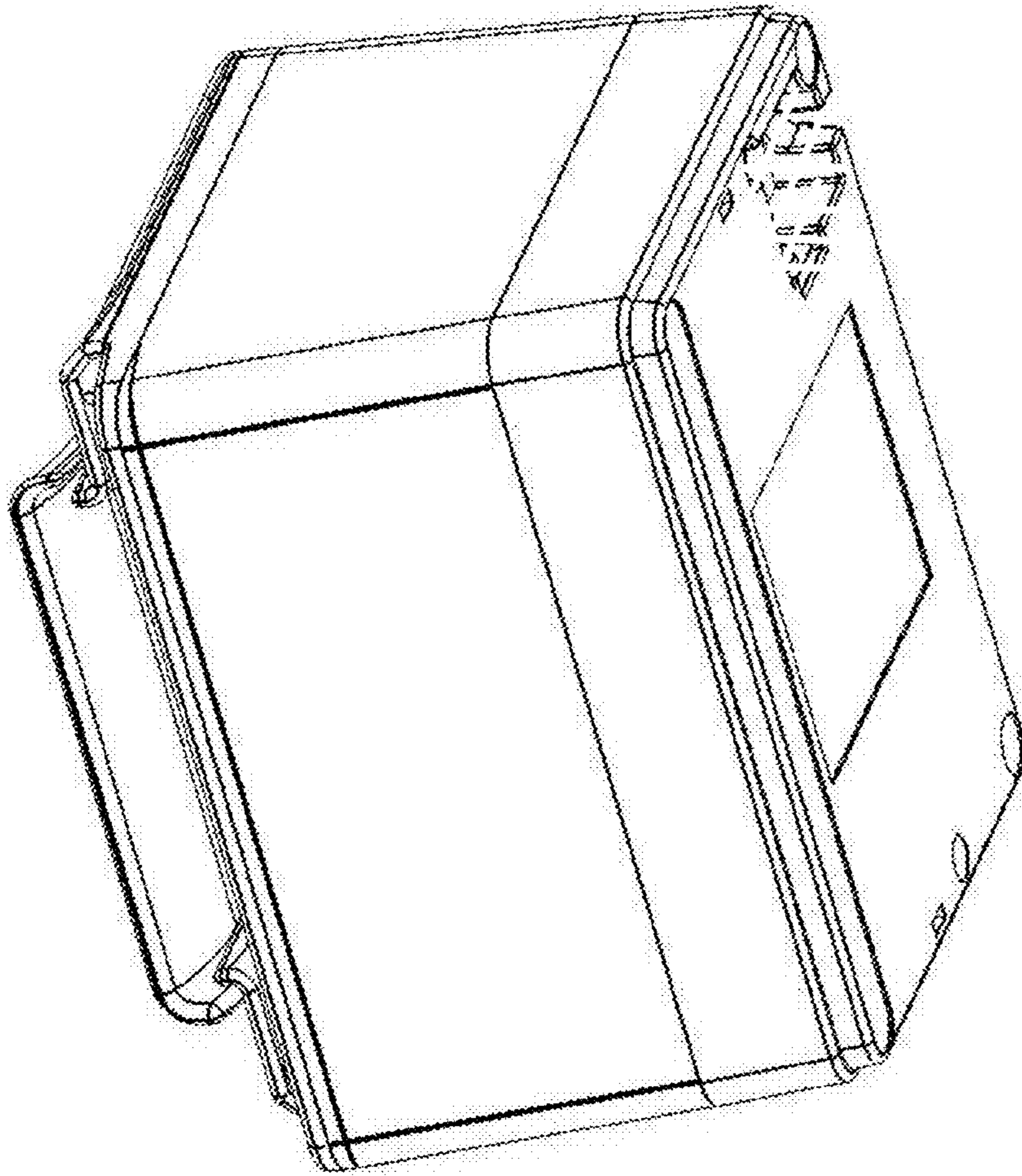


Fig 9