



US00D716815S

(12) **United States Design Patent**
van Hees

(10) **Patent No.:** **US D716,815 S**
(45) **Date of Patent:** **** Nov. 4, 2014**

(54) **OPTICAL TRANSMISSION-CONVERSION
DEVICE FOR PRODUCING A MAGNIFIED
IMAGE**

(71) Applicant: **Optelec Development B.V.**, Barendrecht
(NL)

(72) Inventor: **Lukas Wilhelmus van Hees**, Voorburg
(NL)

(73) Assignee: **Optelec Development B.V.**, Barendrecht
(NL)

(**) Term: **14 Years**

(21) Appl. No.: **29/436,030**

(22) Filed: **Oct. 31, 2012**

(30) **Foreign Application Priority Data**

May 1, 2012 (EM) 002035501-0001

(51) **LOC (10) Cl.** **14-02**

(52) **U.S. Cl.**
USPC **D14/420**

(58) **Field of Classification Search**
USPC D14/420, 426-430, 453, 341-347, 412,
D14/439, 137, 138, 191, 496, 147, 148, 247,
D14/248, 144; D13/107, 184; 358/473;
235/462.43, 462.45, 462.47, 462.48,
235/462.44, 462.46, 487, 472.01, 472.02;
16/110.1, 430, 431; 439/133, 135;
709/219, 201, 224, 203; 710/73;
320/114, 115, 123; 361/679-683;
382/313, 321; 455/575.1-575.4, 561,
455/572, 414.1, 550.1, 417, 411, 556.2,
455/564, 566, 41.2, 418, 466, 90.1, 517;
D18/2, 7, 11; D21/329, 517; 400/486,
400/472, 489; 341/20, 22, 26; 379/112.01,
379/368, 434, 433.01-433.13; 715/864,
715/780, 816; 248/918

See application file for complete search history.

(56) **References Cited**

U.S. PATENT DOCUMENTS

D213,446	S	*	3/1969	Sabella	D14/420
D266,317	S	*	9/1982	Dino et al.	D10/97
D295,413	S	*	4/1988	Nakamura et al.	D14/420
4,862,151	A	*	8/1989	Grauz et al.	345/173
D303,956	S	*	10/1989	Ditzik	D14/335
D304,032	S	*	10/1989	Fine et al.	D14/374
D319,434	S	*	8/1991	Lund	D14/341
D321,489	S	*	11/1991	Heimbürger et al.	D10/97
D325,729	S	*	4/1992	Forsythe et al.	D14/420
D329,820	S	*	9/1992	Lawlor	D10/97
D332,059	S	*	12/1992	Kling et al.	D10/78
D335,286	S	*	5/1993	Savio	D18/4.4

(Continued)

Primary Examiner — Susan Moon Lee

(74) *Attorney, Agent, or Firm* — Leydig, Voit & Mayer, Ltd.

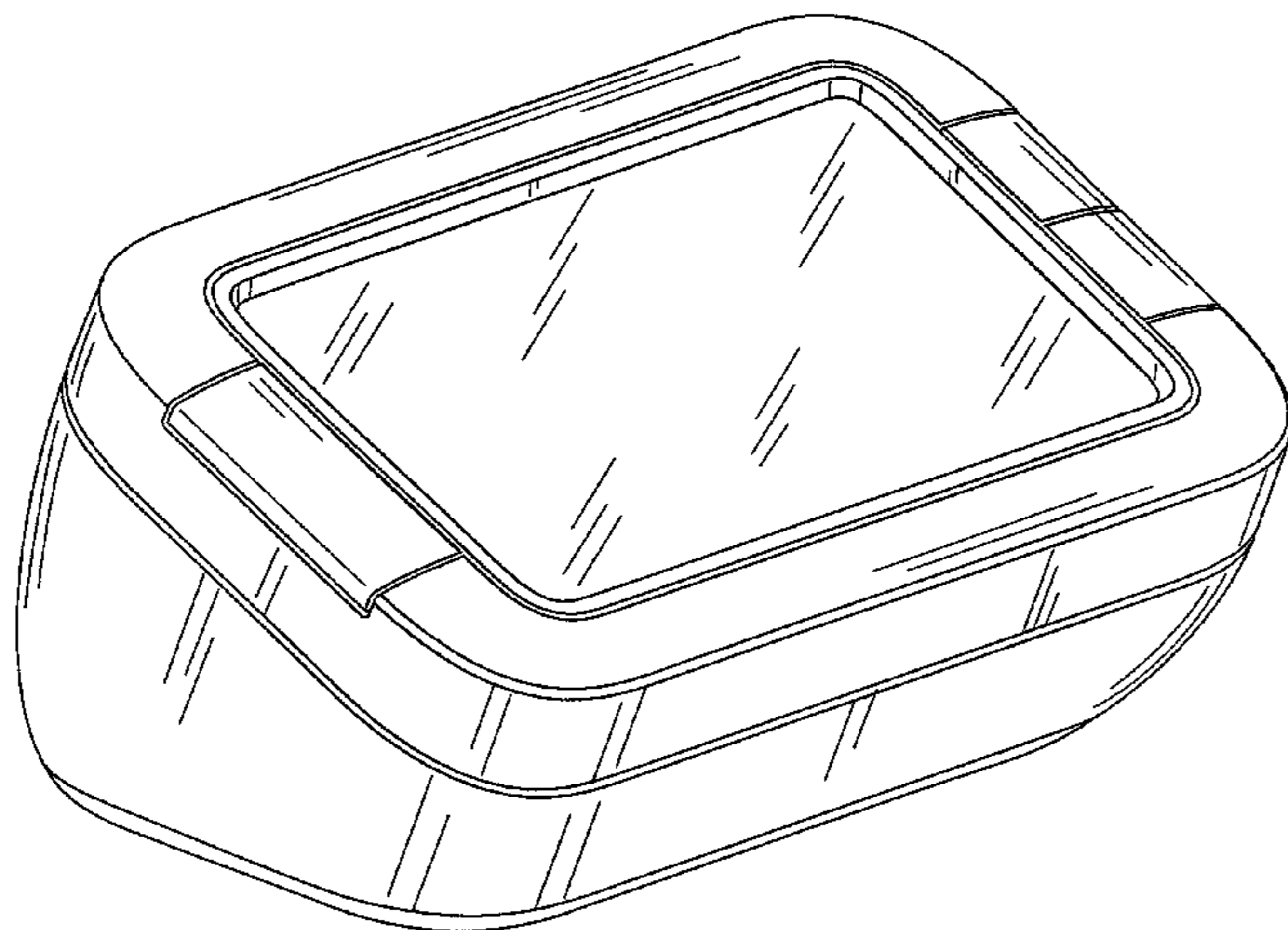
(57) **CLAIM**

I claim the ornamental design for an optical transmission-conversion device for producing a magnified image, as shown and described.

DESCRIPTION

FIG. 1 is a front perspective view of an optical transmission-conversion device for producing a magnified image according to the present invention;
FIG. 2 is an exploded perspective view of the optical transmission-conversion device for producing a magnified image in which the viewer is detached from the stand;
FIG. 3 is a top view of the optical transmission-conversion device for producing a magnified image;
FIG. 4 is a side perspective view thereof;
FIG. 5 is a rear view thereof;
FIG. 6 is a bottom view thereof; and,
FIG. 7 is an exploded perspective bottom view of the optical transmission-conversion device for producing a magnified image in which the viewer is detached from the stand.
Broken lines and unshaded portions contained within broken line are not claimed.

1 Claim, 7 Drawing Sheets



(56)

References Cited

U.S. PATENT DOCUMENTS

- D342,239 S * 12/1993 Hermann D18/4.6
D346,594 S * 5/1994 Skaggs et al. D14/375
D348,661 S * 7/1994 Hansen et al. D14/389
D357,199 S * 4/1995 Peltola D10/97
D359,483 S * 6/1995 Saunders et al. D14/420
D362,239 S * 9/1995 Je D18/4.6
D362,427 S * 9/1995 Mizusugi et al. D18/4.4
D362,640 S * 9/1995 Pail D10/97
D367,430 S * 2/1996 Greenberg et al. D10/49
D377,929 S * 2/1997 Sekino et al. D14/336
D381,590 S * 7/1997 Thoeni et al. D10/49
D381,749 S * 7/1997 Lawrence et al. D24/169
D384,945 S * 10/1997 Takada et al. D14/420
D385,903 S * 11/1997 Kim D18/4.4
D385,904 S * 11/1997 Kim D18/4.4
D397,049 S * 8/1998 Mohammadian et al. D10/78
D410,855 S * 6/1999 Gordon D10/49
D410,902 S * 6/1999 Chiocchi D14/331
D424,602 S * 5/2000 Lin D18/4.3
D424,603 S * 5/2000 Jones D14/337
D427,231 S * 6/2000 Ono D18/4.6
D427,315 S * 6/2000 Saltzstein et al. D24/186
D428,047 S * 7/2000 Kolls D18/4.6
D430,048 S * 8/2000 Hoofnagle et al. D10/78
D443,538 S * 6/2001 Wrisley et al. D10/78
D444,084 S * 6/2001 Wrisley et al. D10/78
D444,085 S * 6/2001 Wrisley et al. D10/78
D444,086 S * 6/2001 Wrisley et al. D10/78
D445,417 S * 7/2001 Lee et al. D14/336
D446,306 S * 8/2001 Ochi et al. D24/186
D451,535 S * 12/2001 Lee D18/4.6
6,341,718 B1 1/2002 Schilthuizen et al.
D456,020 S * 4/2002 Obata et al. D14/336
D462,021 S * 8/2002 Kuramoto D10/78
D464,969 S * 10/2002 Byun et al. D14/420
D468,735 S * 1/2003 Landerholm et al. D14/336
D474,413 S * 5/2003 Hoofnagle et al. D10/78
D480,725 S * 10/2003 Funato D14/383
D486,827 S * 2/2004 Detallante D14/420
D489,371 S * 5/2004 Sarman D14/371
D493,794 S * 8/2004 Berentzen et al. D14/420
D494,589 S * 8/2004 Liljestrand et al. D14/383
D508,565 S * 8/2005 Nephin et al. D24/186
D509,151 S * 9/2005 Takach et al. D10/50
D509,508 S * 9/2005 Ko et al. D14/420
D510,882 S * 10/2005 Buchanan D10/78
D512,065 S * 11/2005 Ko et al. D14/420
D514,565 S * 2/2006 Haygood D14/371
D514,574 S * 2/2006 Yanagisawa et al. D14/420
D515,951 S * 2/2006 Clark D10/78
D518,744 S * 4/2006 Rosen D10/50
D520,386 S * 5/2006 Takach et al. D10/50
7,074,182 B2 * 7/2006 Rovegno 600/131
D526,231 S * 8/2006 Oas D10/97
D535,572 S * 1/2007 Takach et al. D10/50
D536,793 S * 2/2007 Assad et al. D24/185
D537,944 S * 3/2007 Eda et al. D24/165
D541,184 S * 4/2007 Barton et al. D10/50
D542,677 S * 5/2007 Barton et al. D10/50
D545,882 S * 7/2007 Sato D18/4.4
D552,500 S * 10/2007 Forslund D10/97
D556,061 S * 11/2007 Rosen D10/50
D556,608 S * 12/2007 Rhodes D10/50
D556,609 S * 12/2007 Rhodes D10/50
D561,614 S * 2/2008 Rosen D10/50
D564,374 S * 3/2008 Wada D10/65
RE40,190 E * 4/2008 Takach et al. D10/50
D565,973 S * 4/2008 Huang et al. D10/46
D566,587 S * 4/2008 Rosen D10/50
D572,615 S * 7/2008 Gerold D10/78
D574,829 S * 8/2008 Shirai et al. D14/422
D576,578 S * 9/2008 Calverley D14/126
D578,906 S * 10/2008 Gatz et al. D10/46
D579,361 S * 10/2008 Wen D10/78
D579,799 S * 11/2008 Barton et al. D10/50
D580,801 S * 11/2008 Takach et al. D10/50
D583,950 S * 12/2008 Itonaga et al. D24/165
D585,056 S * 1/2009 Ekelund D14/336
D589,822 S * 4/2009 Rhodes D10/50
D592,649 S * 5/2009 L'Henaff et al. D14/240
D595,160 S * 6/2009 Fisher et al. D10/50
D596,963 S * 7/2009 Novotny et al. D10/50
D598,305 S * 8/2009 Li et al. D10/50
D601,354 S * 10/2009 Chu D6/308
D605,163 S * 12/2009 Hidaka D14/140.2
D606,433 S * 12/2009 Whitcomb et al. D10/78
D611,520 S * 3/2010 Melder D16/241
D612,503 S * 3/2010 Johnston et al. D24/186
D616,875 S * 6/2010 Oh et al. D14/240
D623,974 S * 9/2010 Shigeno et al. D10/97
D625,304 S * 10/2010 Armstrong D14/307
D635,119 S 3/2011 Van Hees
D640,580 S * 6/2011 Bibeau et al. D10/78
D642,081 S * 7/2011 Kashimoto D10/49
D643,936 S * 8/2011 Oonuma et al. D24/232
D646,187 S * 10/2011 Edgar D10/50
D646,990 S * 10/2011 Rhodes D10/50
D647,809 S * 11/2011 Driver D10/50
D647,903 S * 11/2011 McClelland et al. D14/371
D648,642 S * 11/2011 Wallaert et al. D10/50
D650,484 S * 12/2011 Shinohara et al. D24/186
D651,530 S * 1/2012 Baumgartner et al. D10/50
D652,747 S * 1/2012 Ferris D10/49
D658,175 S * 4/2012 Goetzen D14/371
D659,560 S * 5/2012 Rhodes D10/50
D662,839 S * 7/2012 Morrow D10/50
D662,840 S * 7/2012 Morrow D10/50
D663,224 S * 7/2012 Morrow D10/50
D663,435 S * 7/2012 Eikhoff et al. D24/232
D669,079 S * 10/2012 Hansen D14/420
D669,182 S * 10/2012 Prado D24/158
D671,542 S * 11/2012 Siekmann et al. D14/422
D673,061 S * 12/2012 Wu D10/49
D673,952 S * 1/2013 Toda et al. D14/383
D678,084 S * 3/2013 Beland et al. D10/50
D679,018 S * 3/2013 Fullerton et al. D24/167
D679,205 S * 4/2013 Eyring et al. D10/50
D680,653 S * 4/2013 Fullerton et al. D24/167
D684,872 S * 6/2013 Bias et al. D10/49
D688,955 S * 9/2013 Deligiannis et al. D10/50
D690,137 S * 9/2013 Kikkert et al. D6/672
D690,138 S * 9/2013 Kikkert et al. D6/672
D690,293 S * 9/2013 Wilson D14/307
8,610,965 B2 12/2013 Van Schaik
D697,506 S * 1/2014 Bianco et al. D14/336
D697,910 S * 1/2014 Bianco et al. D14/336
D701,862 S * 4/2014 Lee et al. D14/420
D702,236 S * 4/2014 Gelinotte et al. D14/420
D703,311 S * 4/2014 Daly D24/110
D705,092 S * 5/2014 Edgar D10/50
2003/0063214 A1 4/2003 Van Hees
2004/0189631 A1 * 9/2004 Kazi et al. 345/418
2008/0116093 A1 * 5/2008 Felten et al. 206/316.2
2009/0011391 A1 1/2009 van Hees et al.
2009/0296162 A1 12/2009 Van Schaik
2011/0057921 A1 3/2011 van Hees et al.
2014/0118799 A1 5/2014 Van Der Snoek

* cited by examiner

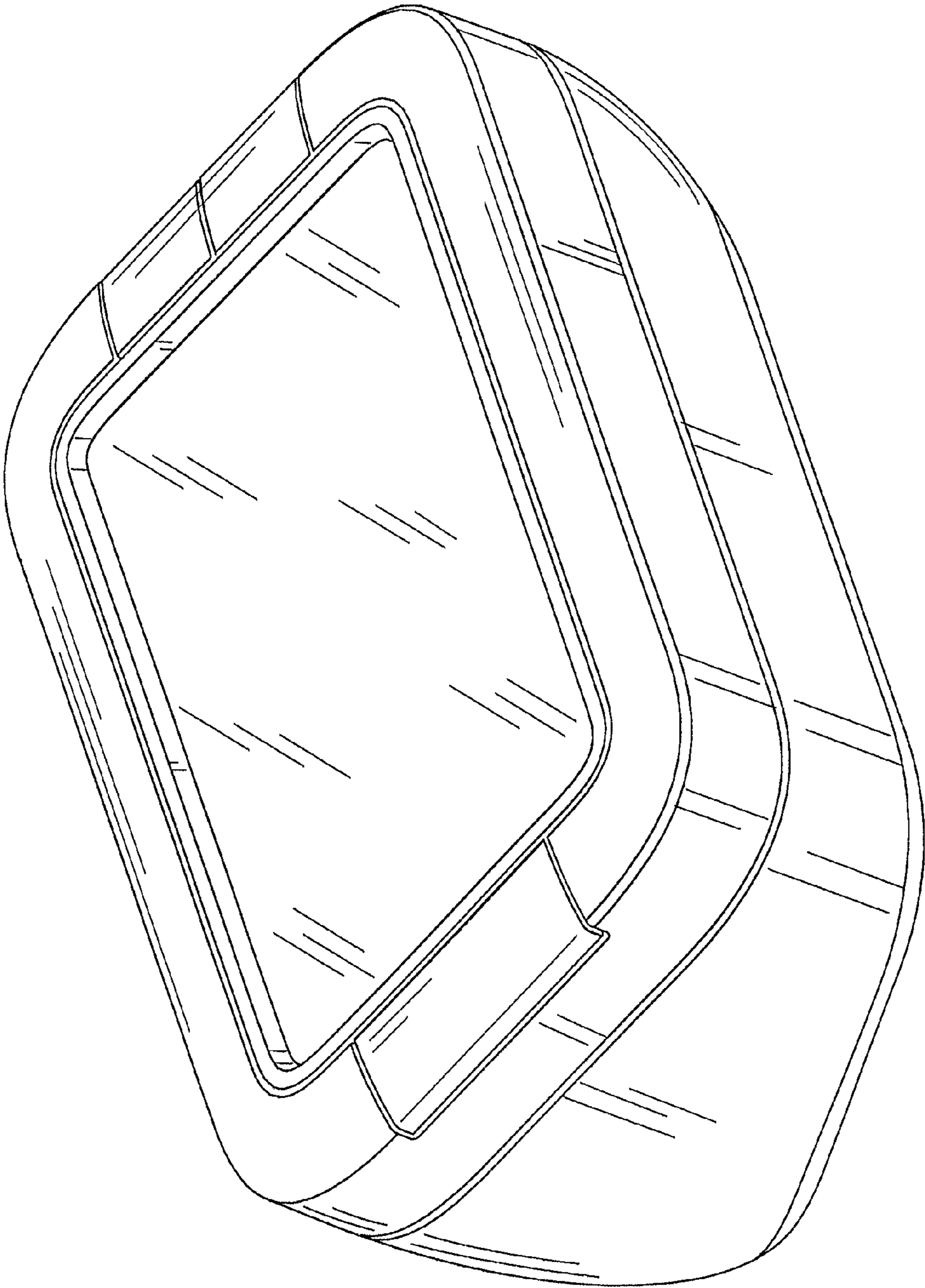


FIG. 1

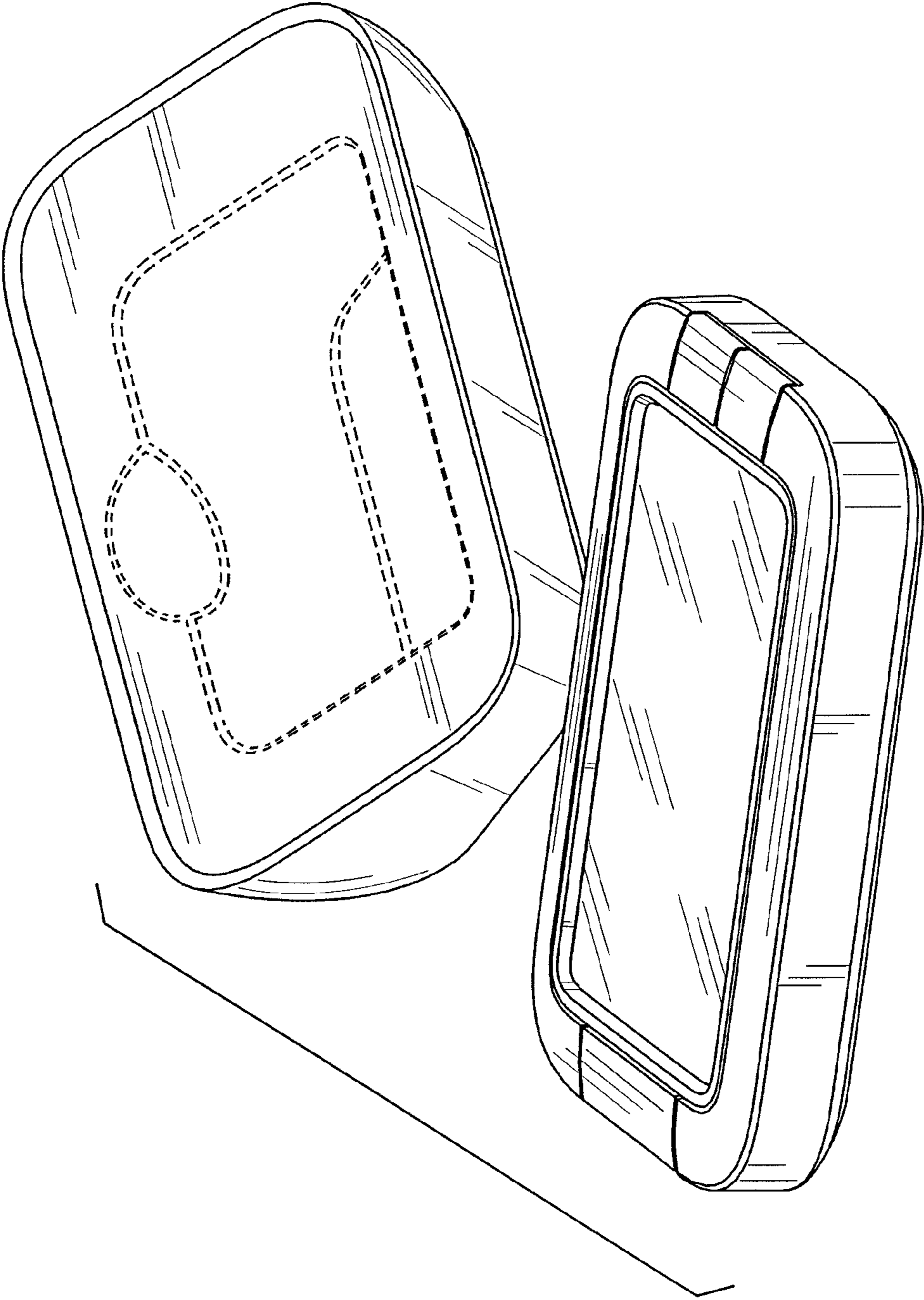


FIG. 2

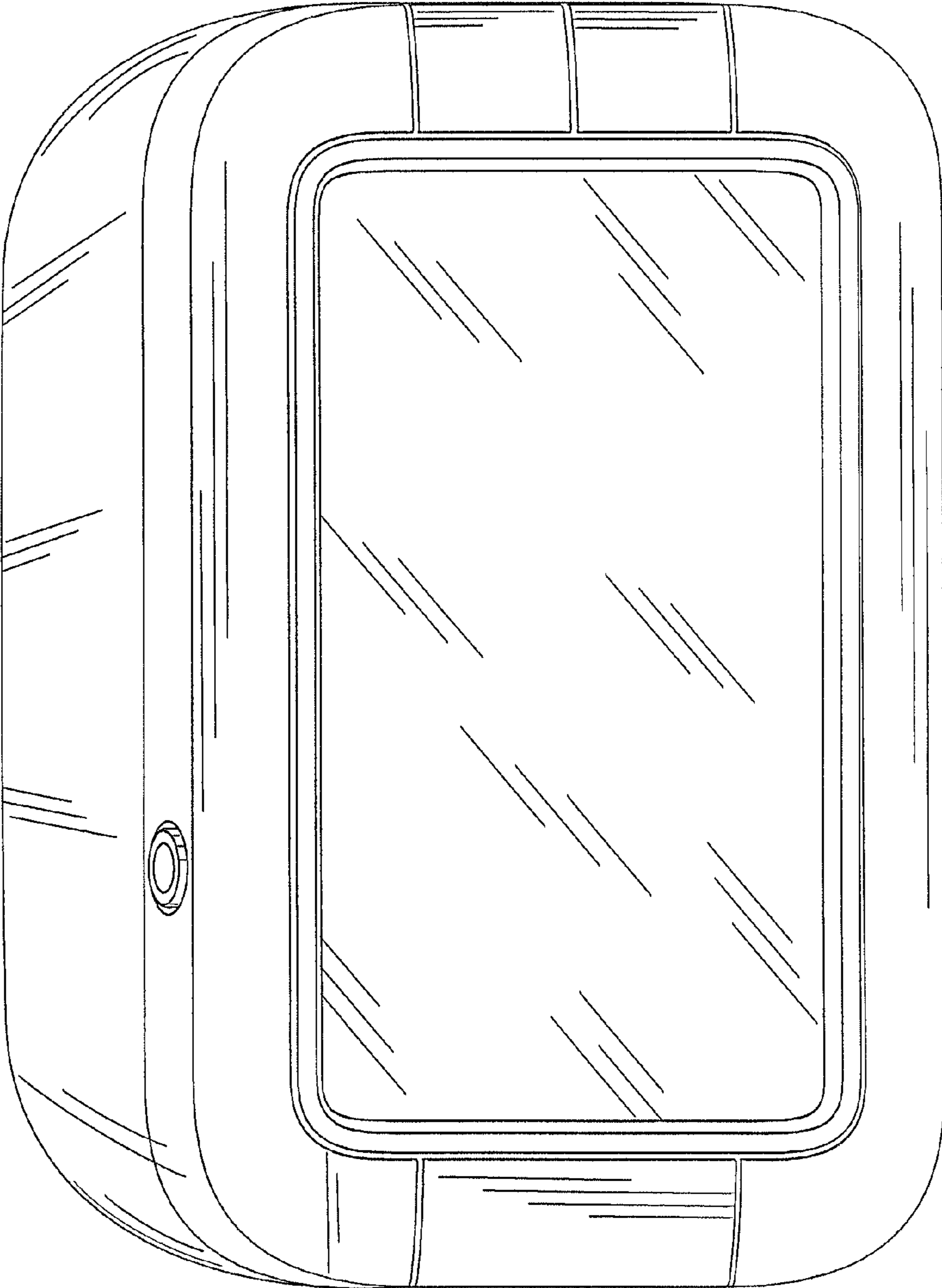


FIG. 3

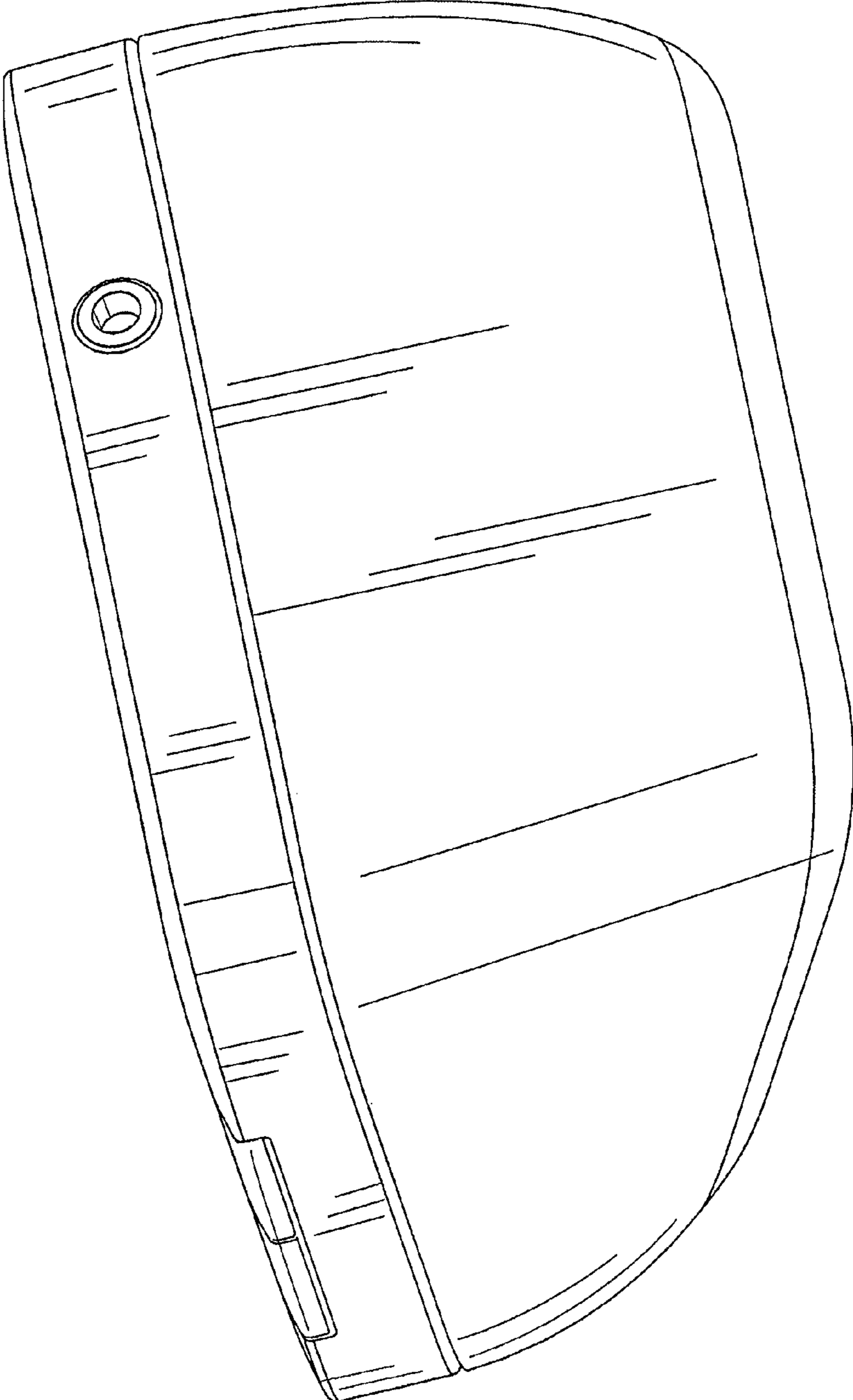


FIG. 4

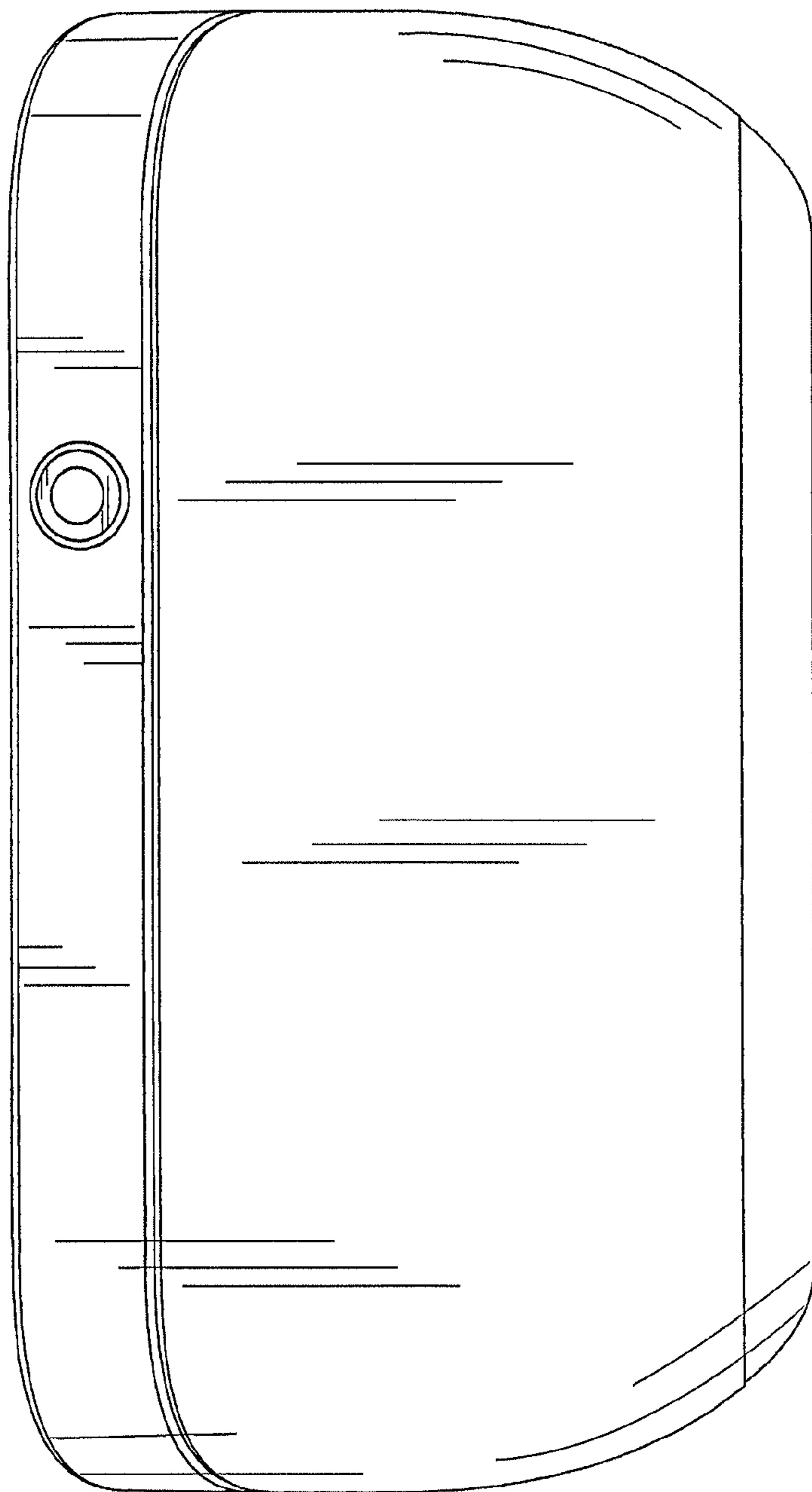


FIG. 5

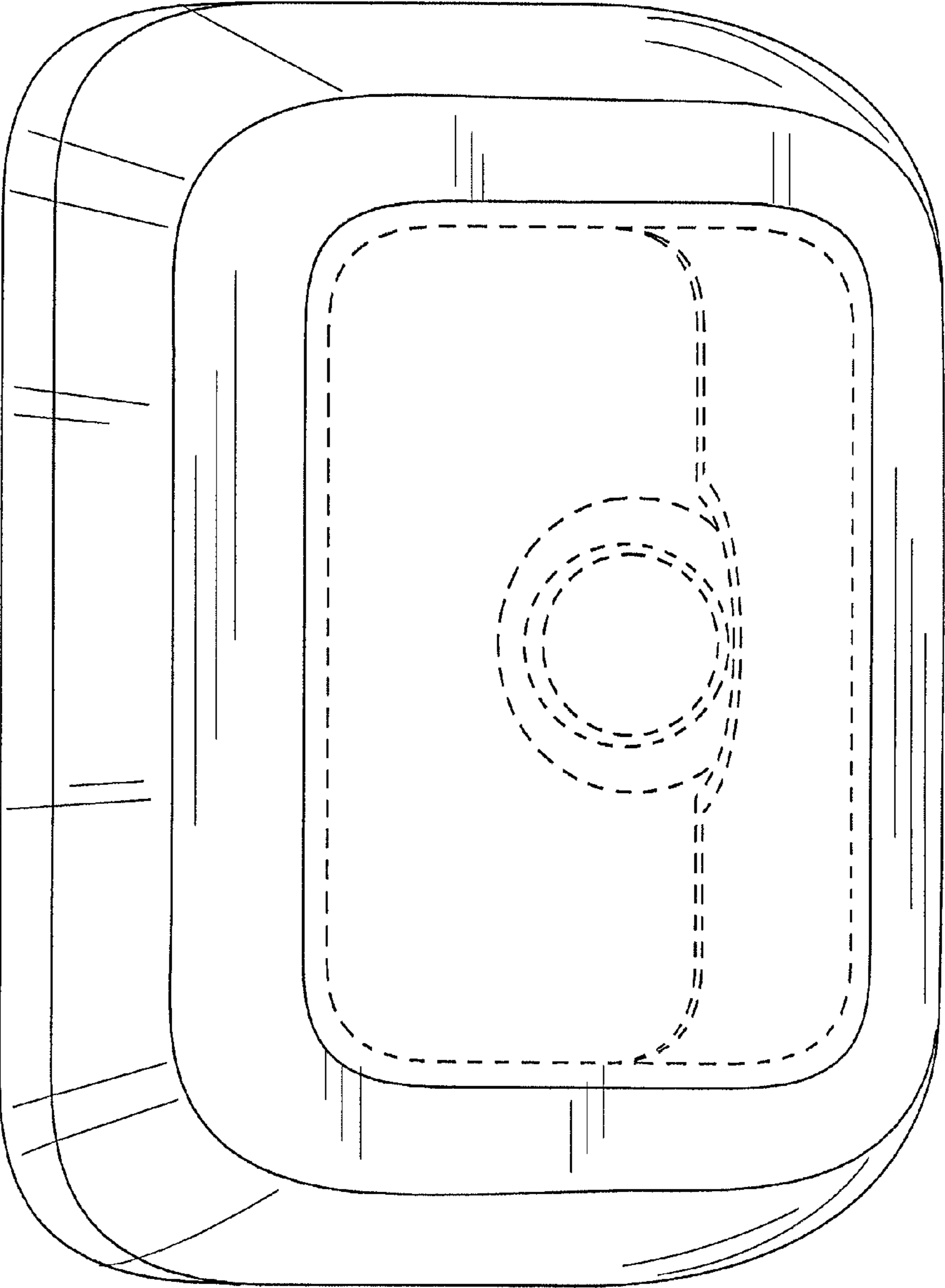


FIG. 6

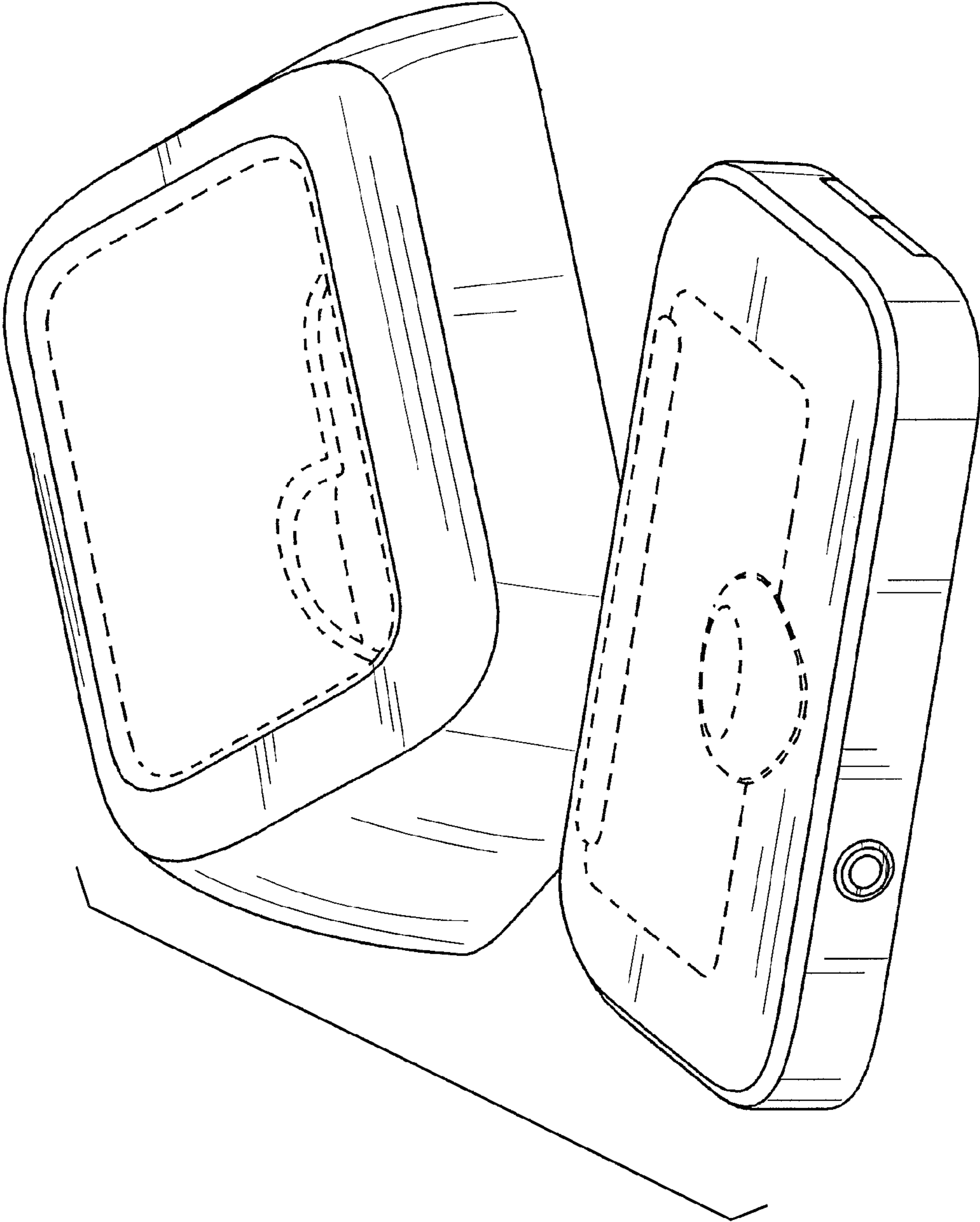


FIG. 7