



US00D716814S

(12) **United States Design Patent**
Nakata

(10) **Patent No.:** **US D716,814 S**
(45) **Date of Patent:** **** Nov. 4, 2014**

- (54) **ELECTRONIC PEN**
- (71) Applicant: **Wacom Co., Ltd.**, Kazo (JP)
- (72) Inventor: **Takaaki Nakata**, Kuki (JP)
- (73) Assignee: **Wacom Co., Ltd.**, Kazo-shi (JP)
- (**) Term: **14 Years**
- (21) Appl. No.: **29/453,954**
- (22) Filed: **May 3, 2013**
- (30) **Foreign Application Priority Data**

Nov. 6, 2012 (JP) 2012-027070

(51) **LOC (10) Cl.** **14-02**

(52) **U.S. Cl.**
USPC **D14/411**

(58) **Field of Classification Search**
CPC G06F 3/016; G06F 3/033; G06F 3/0317;
G06F 3/03545; G06F 3/041; G06K 9/222
USPC D8/61; D14/411; D19/35, 36, 41-51,
D19/54-58; 401/55, 99, 100, 104-107, 196,
401/197, 202, 208, 209, 213, 192, 195,
401/243; 708/107; 345/179, 173;
178/19.01; 700/94

See application file for complete search history.

(56) **References Cited**

U.S. PATENT DOCUMENTS

D644,227 S * 8/2011 Son D14/411
D655,292 S * 3/2012 Nakata D14/411

(Continued)

FOREIGN PATENT DOCUMENTS

JP 758330-2 S 5/1997

Primary Examiner — Austin Murphy

(74) *Attorney, Agent, or Firm* — Christensen O'Connor Johnson Kindness PLLC

(57) **CLAIM**

The ornamental design for an electronic pen, as shown and described.

DESCRIPTION

FIG. 1 is a left side elevation view of an electronic pen showing my new design, wherein a cap is shown covering a

writing end of the electronic pen, and wherein the right side elevation view of the electronic pen is a mirror image of the left side elevation view;

FIG. 2 is a top plan view thereof;

FIG. 3 is a bottom plan view thereof;

FIG. 4 is a front elevation view thereof;

FIG. 5 is a rear elevation view thereof;

FIG. 6 is a top left front perspective view thereof;

FIG. 7 is a bottom right front perspective view thereof;

FIG. 8 is a left side elevation view of the electronic pen shown in FIG. 1 with the cap removed for convenience, thus exposing the writing end of the electronic pen, wherein the right side elevation view of the electronic pen is a mirror image of the left side elevation view;

FIG. 9 is a top plan view thereof;

FIG. 10 is a bottom plan view thereof;

FIG. 11 is a front elevation view thereof;

FIG. 12 is a rear elevation view thereof;

FIG. 13 is a bottom right front perspective view thereof;

FIG. 14 is a top left front perspective view thereof;

FIG. 15 is a left side elevation view of an alternative embodiment of the electronic pen shown in FIG. 1, wherein the cap is shown covering a writing end of the electronic pen, and wherein the right side elevation view of the electronic pen is a mirror image of the left side elevation view;

FIG. 16 is a top plan view thereof;

FIG. 17 is a bottom plan view thereof;

FIG. 18 is a front elevation view thereof;

FIG. 19 is a rear elevation view thereof;

FIG. 20 is a top left front perspective view thereof;

FIG. 21 is a bottom right front perspective view thereof;

FIG. 22 is a left side elevation view of the electronic pen shown in FIG. 15 with the cap removed for convenience, thus exposing the writing end of the electronic pen, wherein the right side elevation view of the electronic pen is a mirror image of the left side elevation view;

FIG. 23 is a top plan view thereof;

FIG. 24 is a bottom plan view thereof;

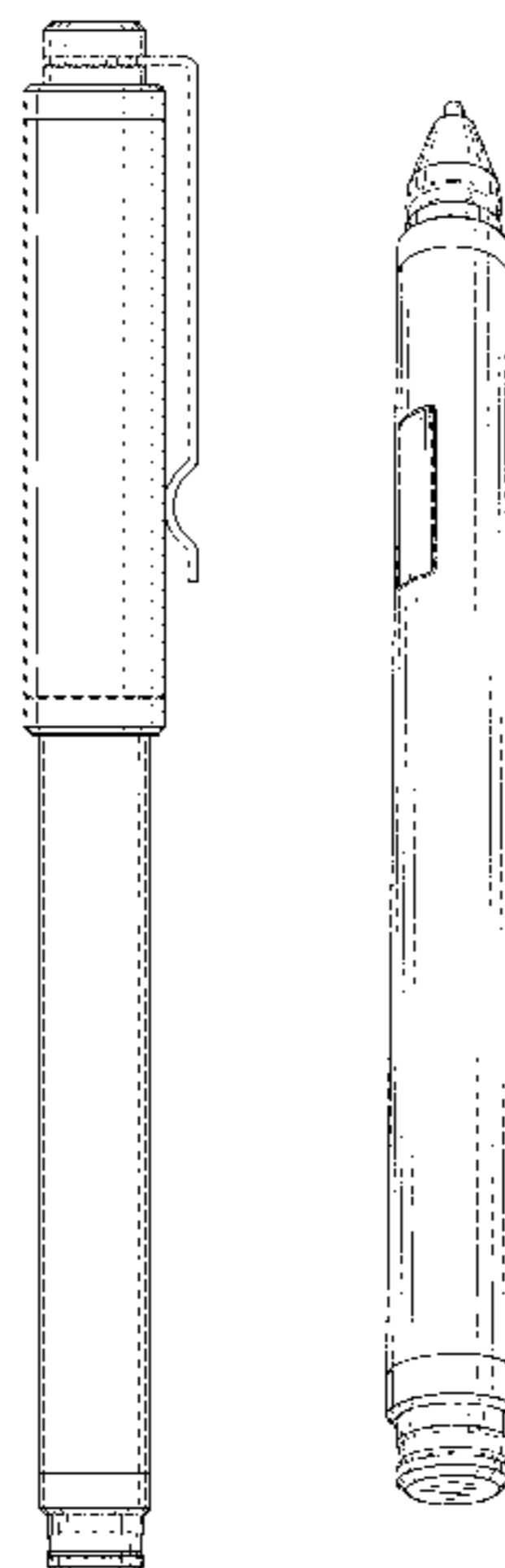
FIG. 25 is a front elevation view thereof;

FIG. 26 is a rear elevation view thereof;

FIG. 27 is a bottom right front perspective view thereof; and,

FIG. 28 is a top left front perspective view thereof.

1 Claim, 8 Drawing Sheets



(56)

References Cited

U.S. PATENT DOCUMENTS

D659,141 S * 5/2012 Watson D14/411
D669,896 S * 10/2012 Nakata D14/411
D669,897 S * 10/2012 Nakata D14/411
D682,276 S * 5/2013 Nakata D14/411

D684,578 S * 6/2013 Son D14/411
D686,618 S * 7/2013 Wilson et al. D14/411
D694,756 S * 12/2013 Nakata D14/411
D708,616 S * 7/2014 Nakata D14/411
D708,617 S * 7/2014 Nakata D14/411
D709,070 S * 7/2014 Leung et al. D14/411

* cited by examiner

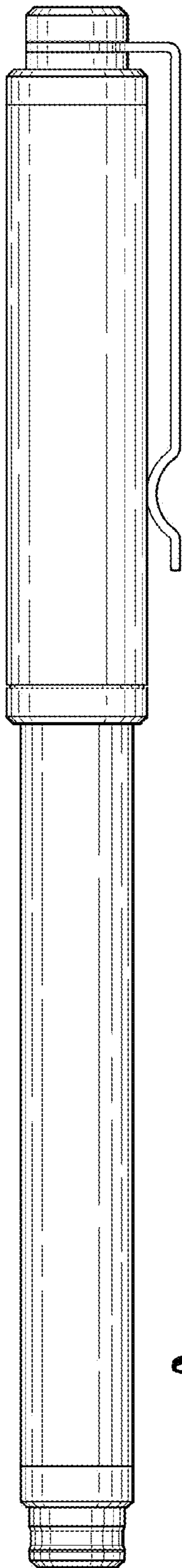


Fig. 1.

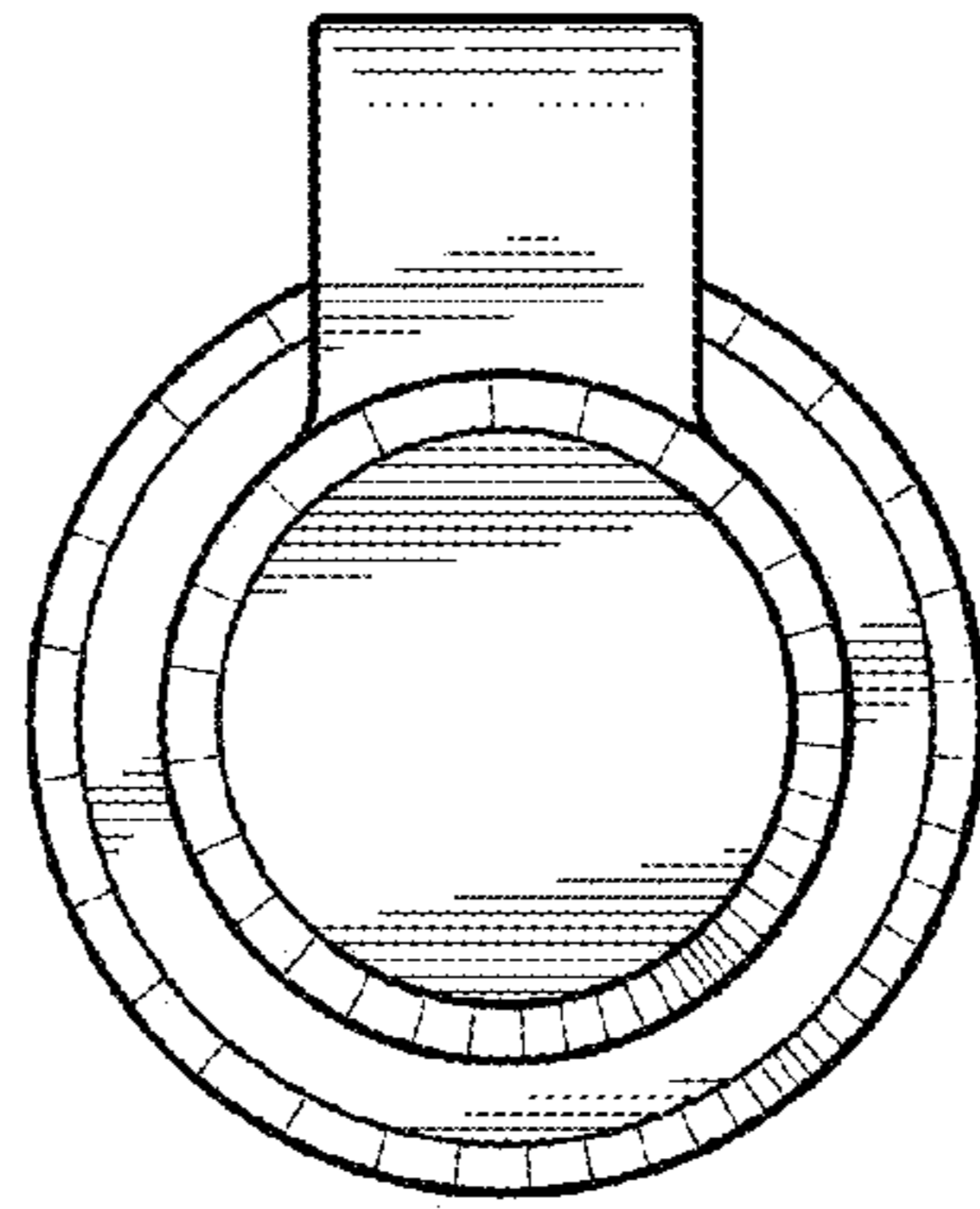


Fig. 2.

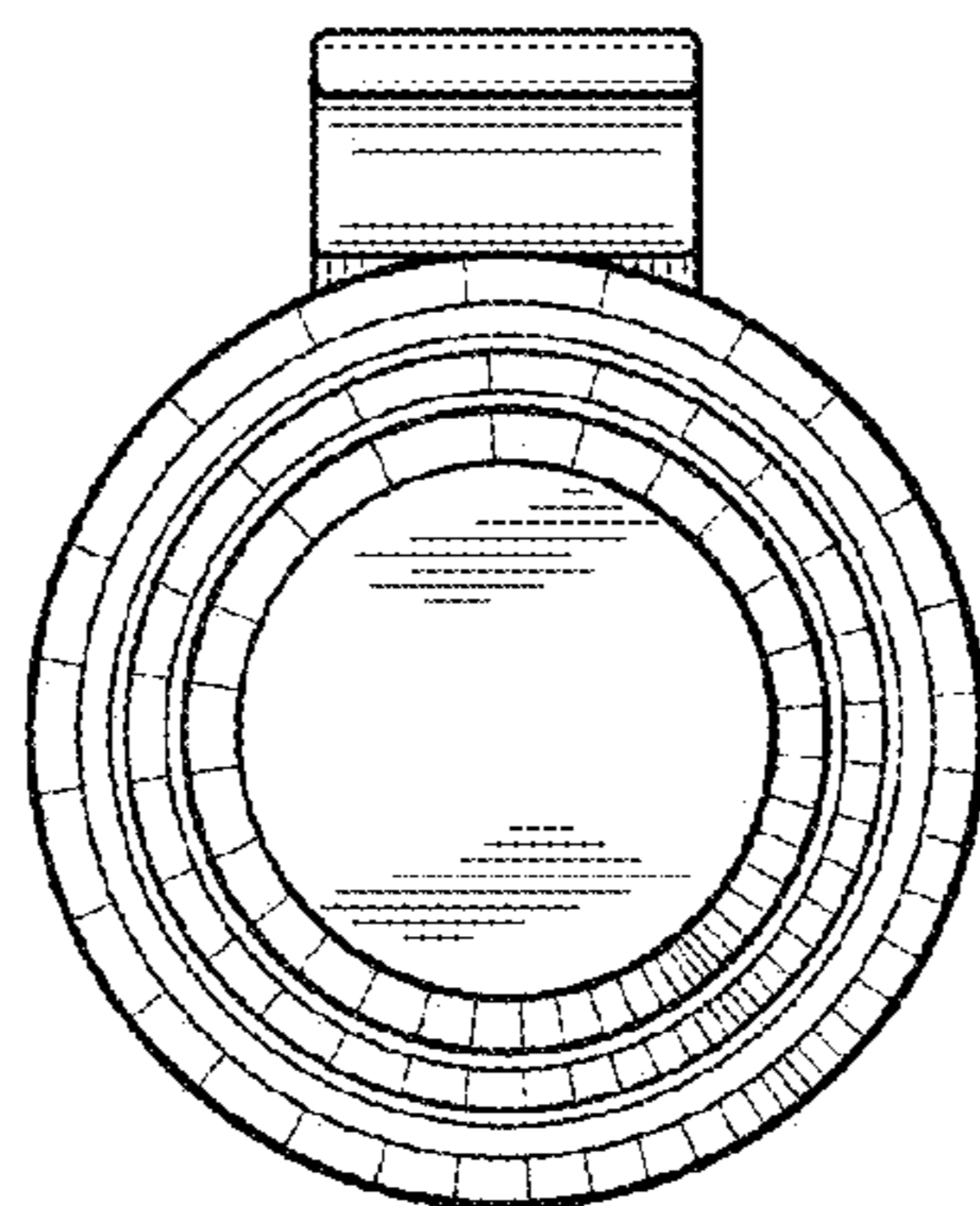
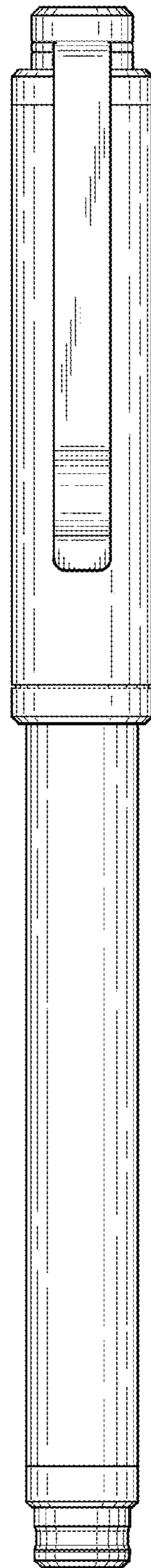


Fig. 3.

Fig. 4.



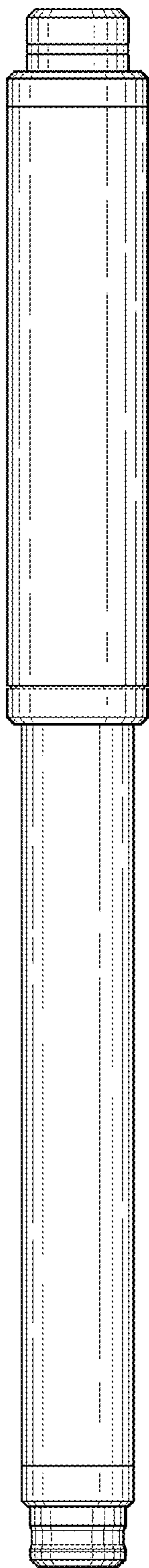


Fig. 5.

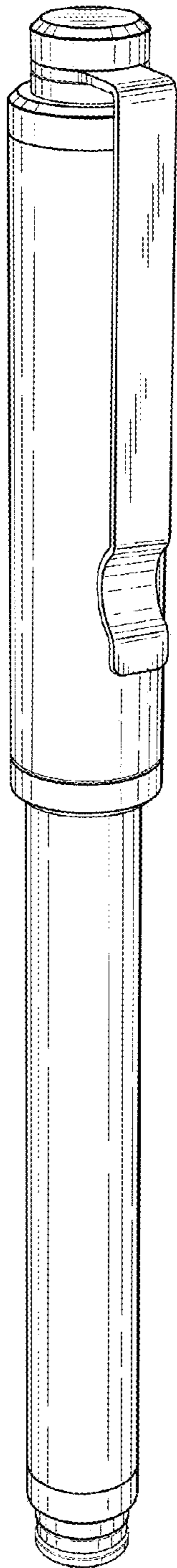


Fig. 6.

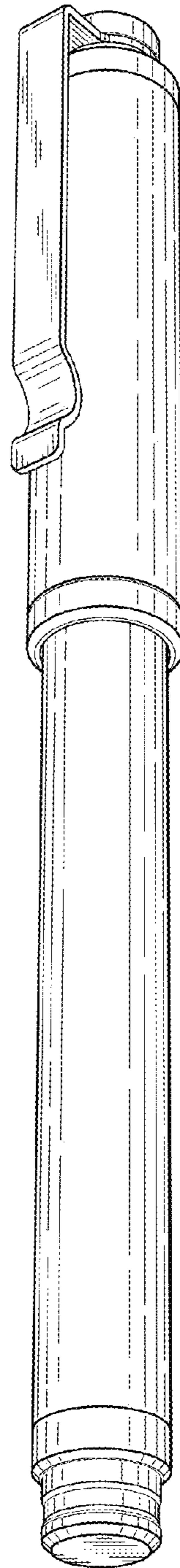


Fig. 7.

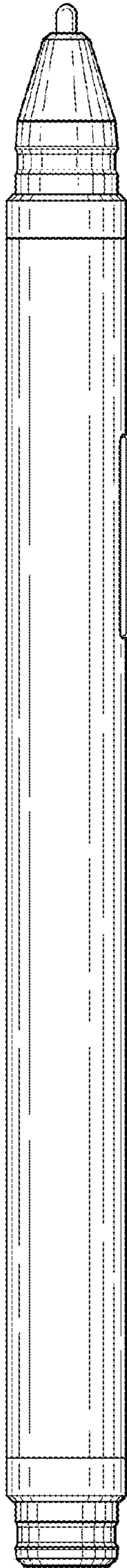


Fig. 8.

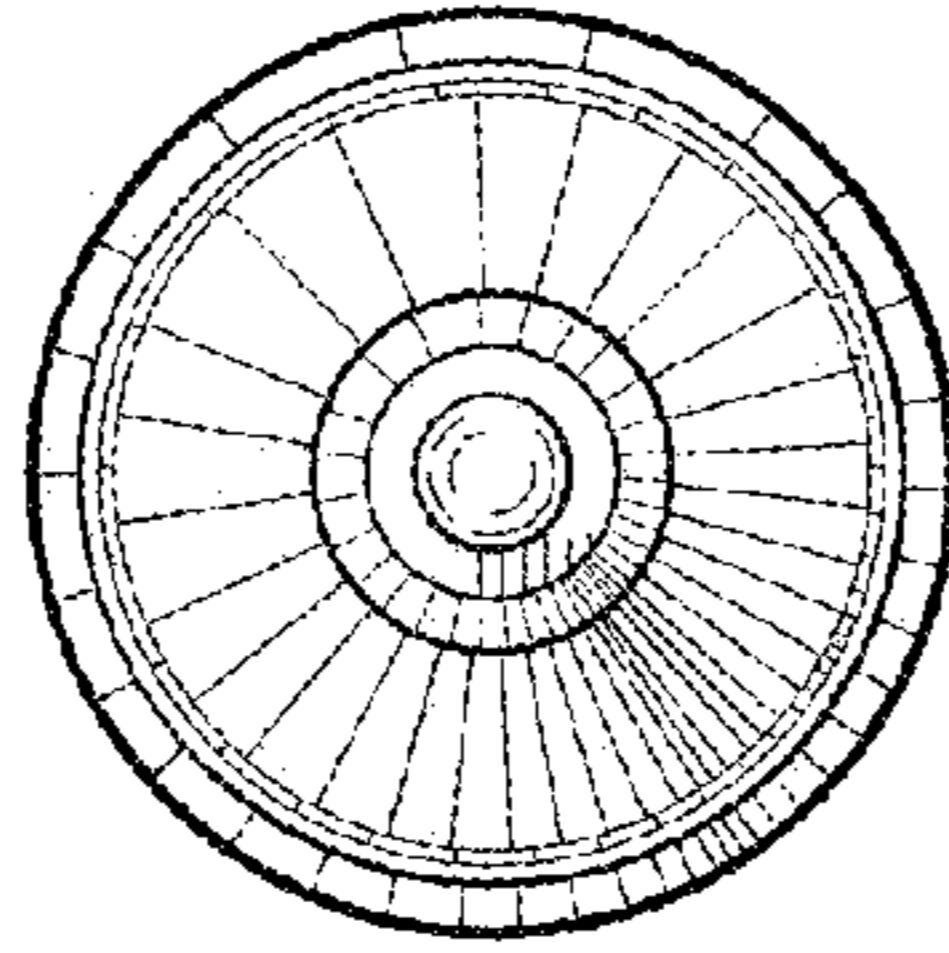


Fig. 9.

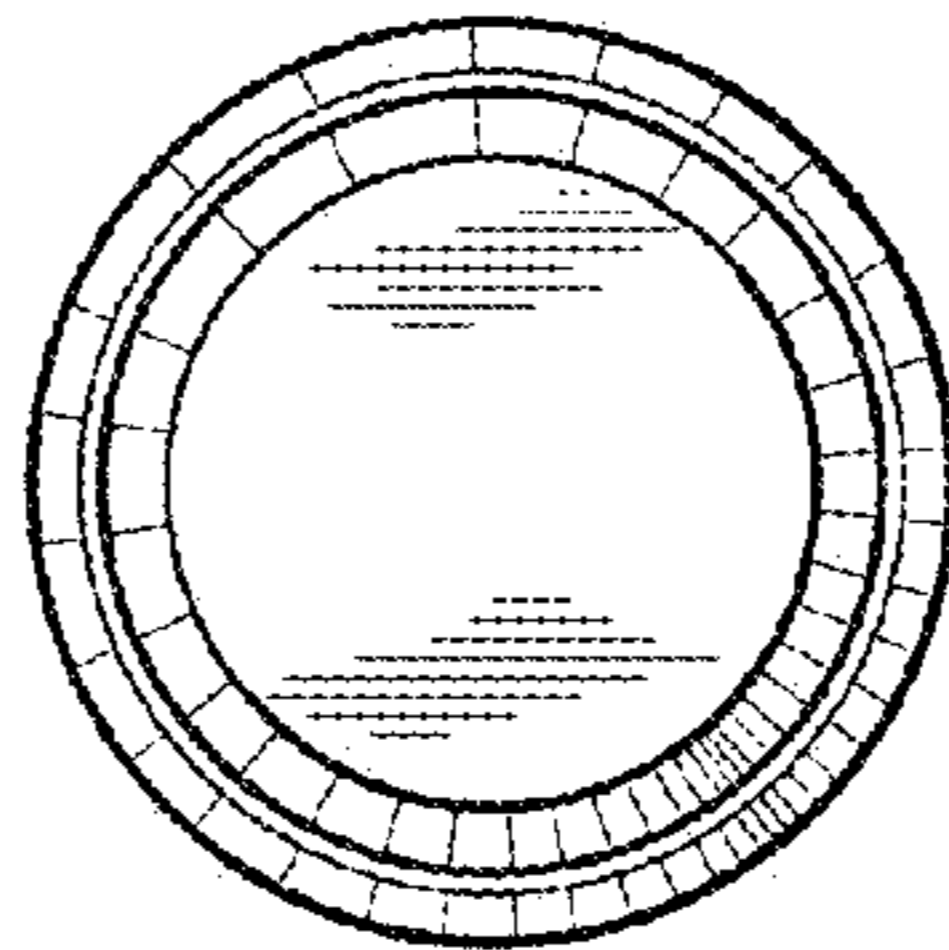
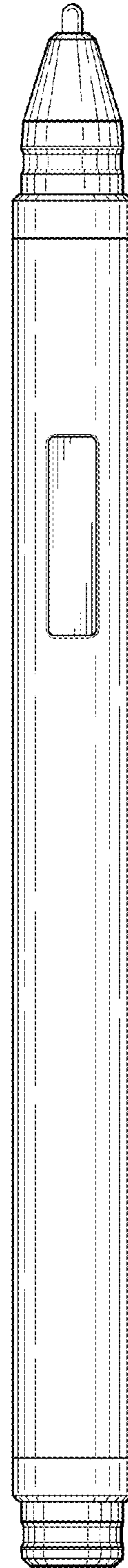


Fig. 10.

Fig. 11.



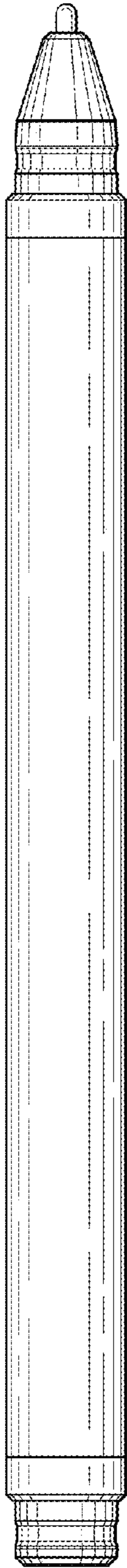


Fig. 12.

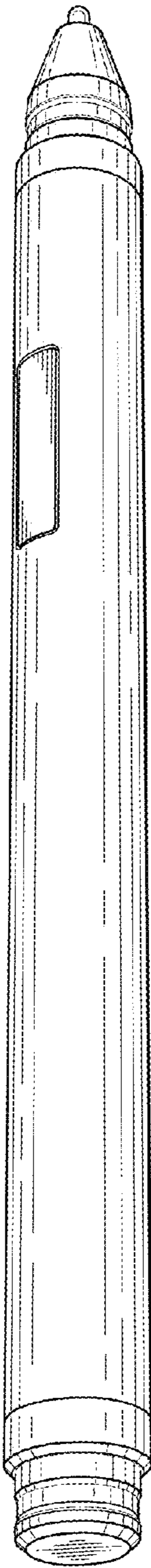


Fig. 13.

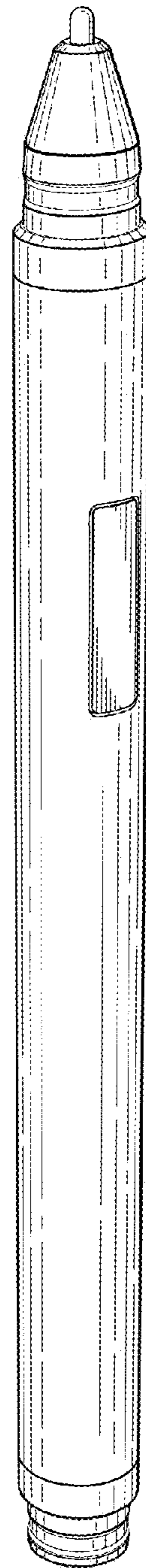


Fig. 14.

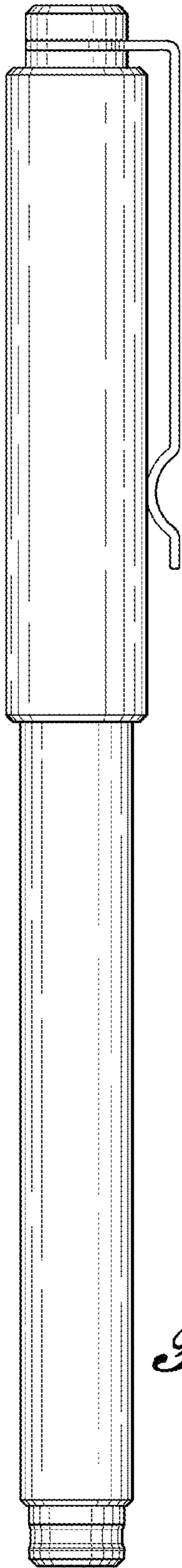


Fig. 15.

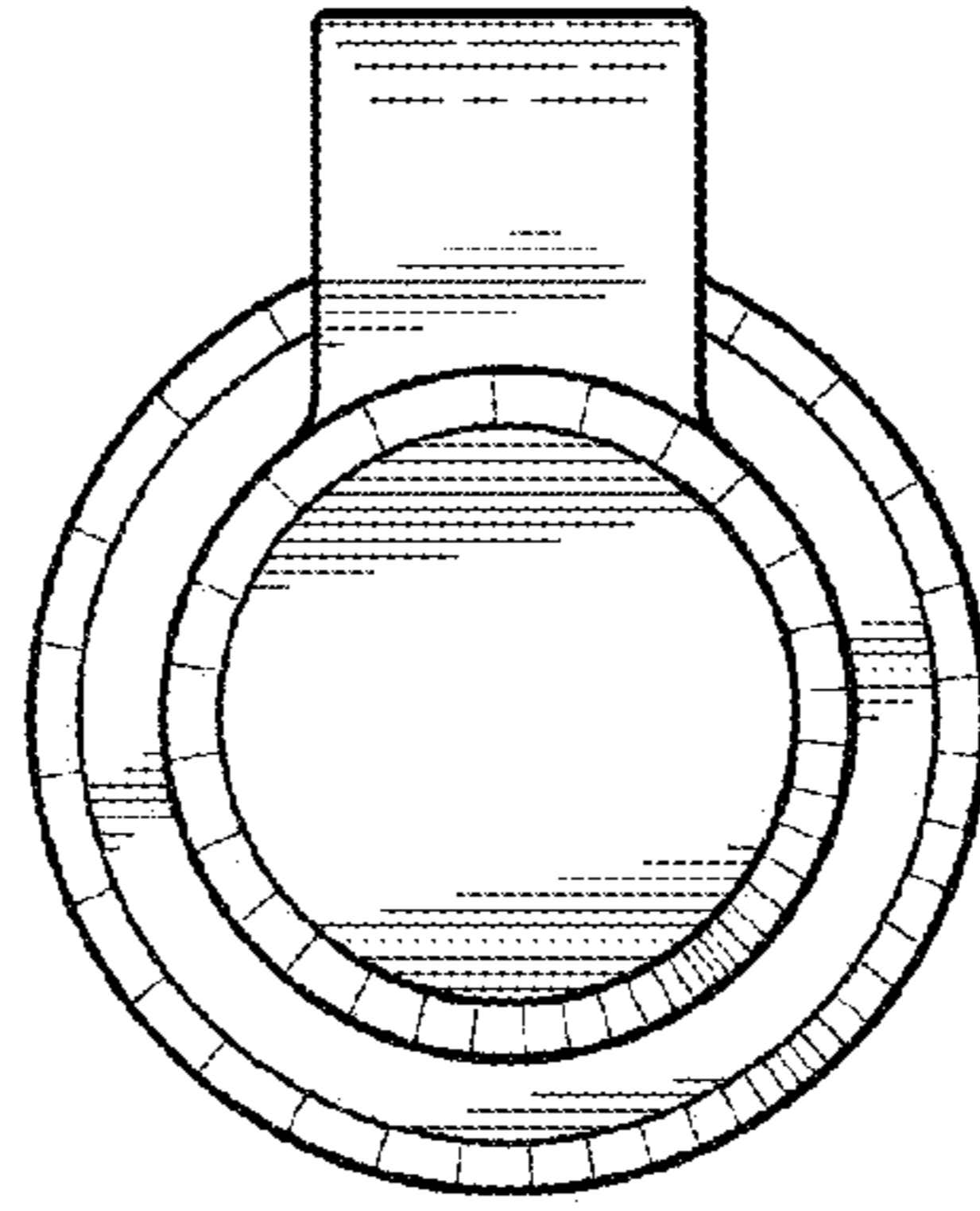


Fig. 16.

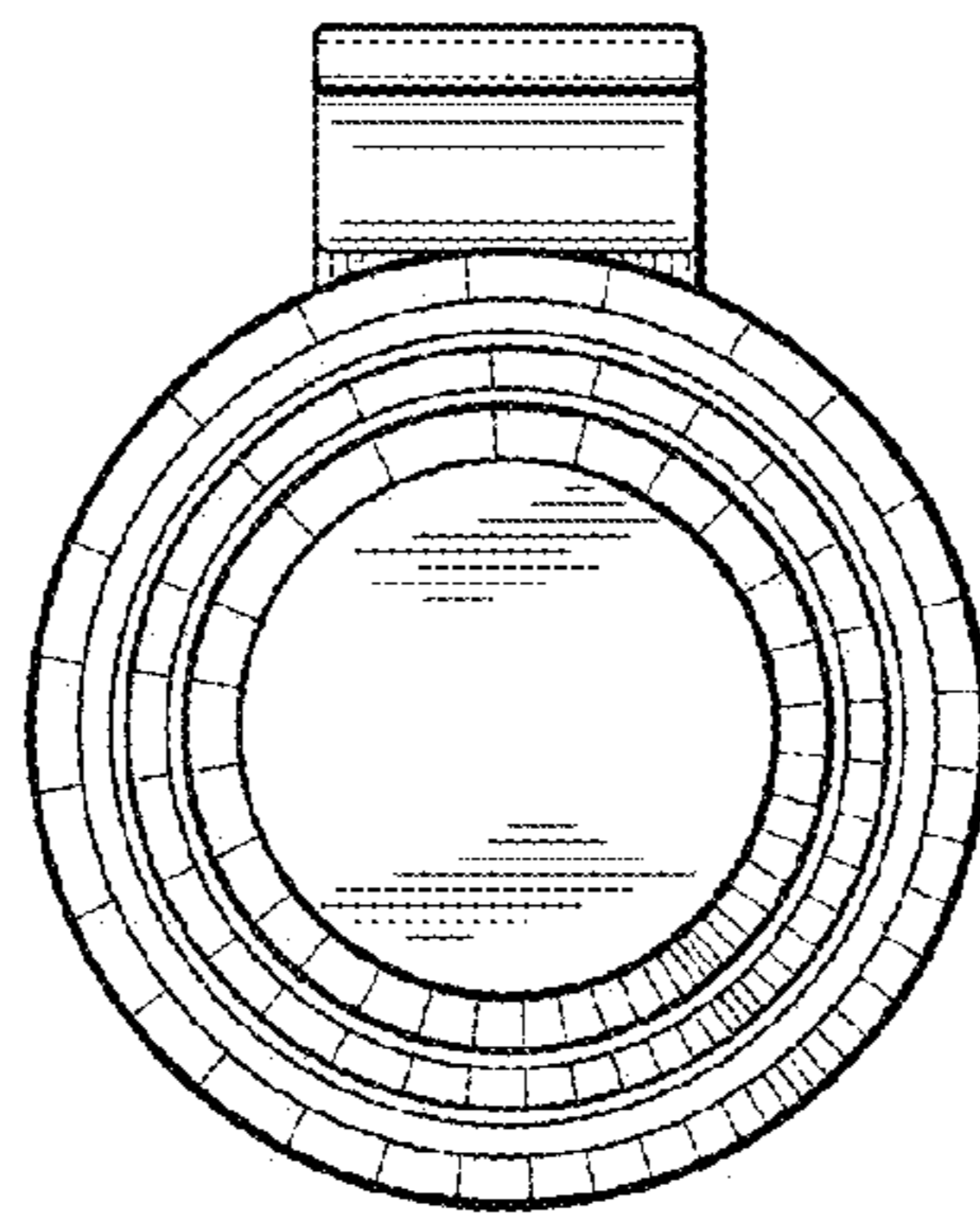
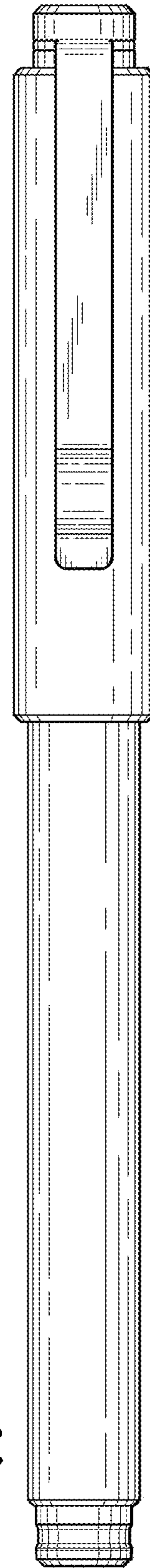


Fig. 17.

Fig. 18.



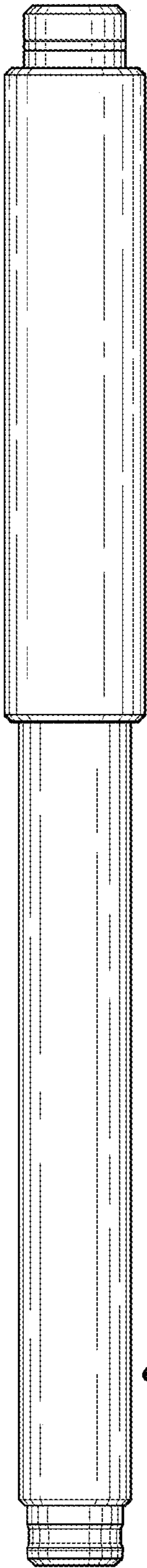


Fig. 19.

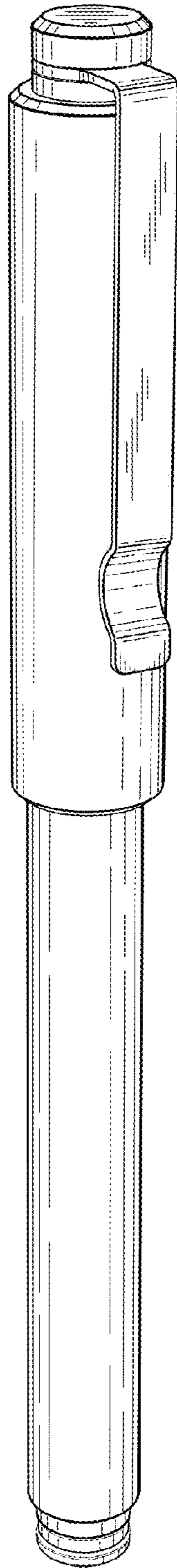


Fig. 20.

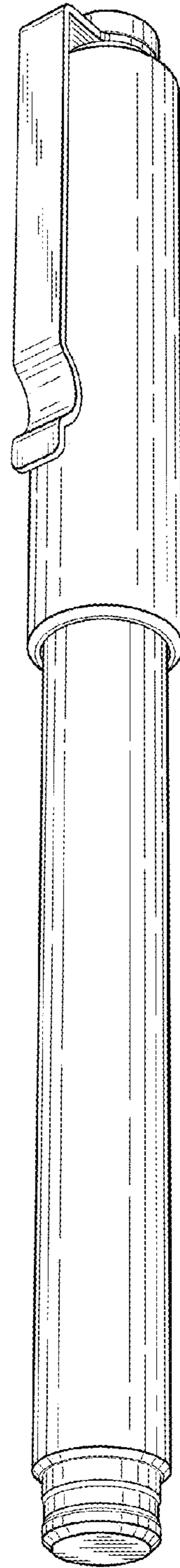


Fig. 21.

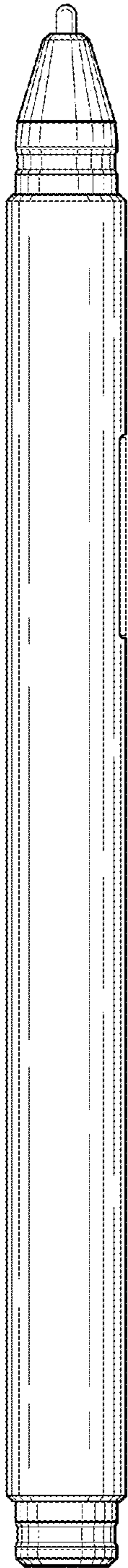


Fig. 22.

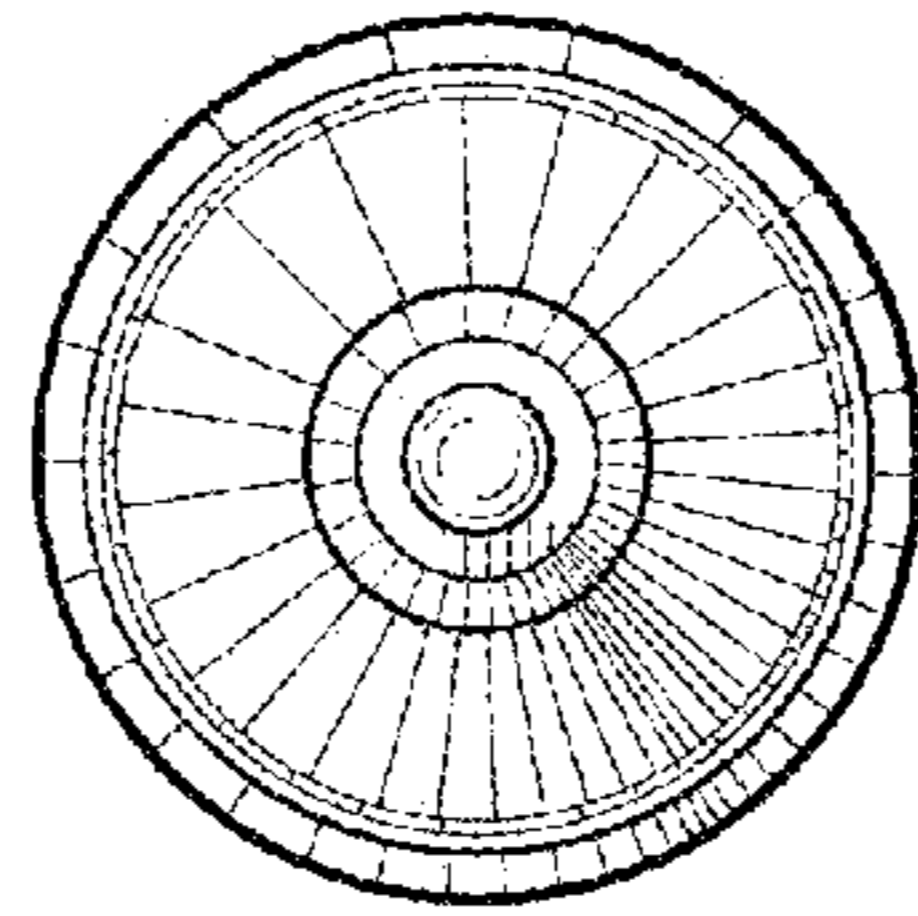


Fig. 23.

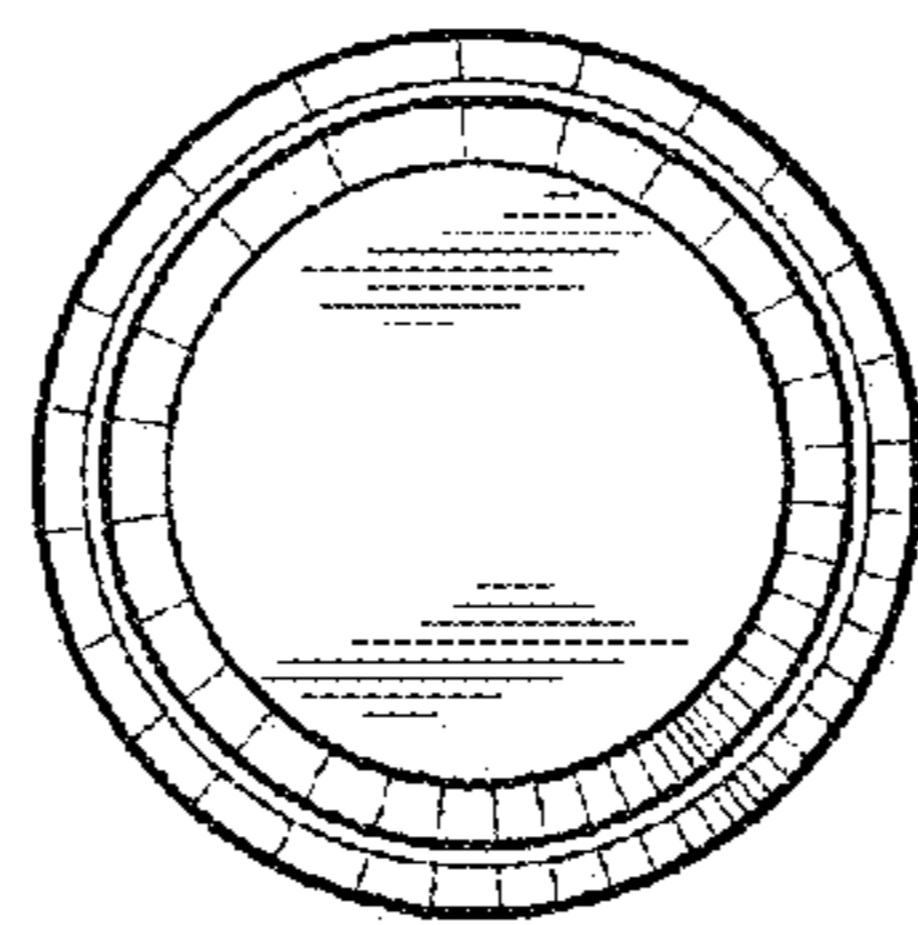
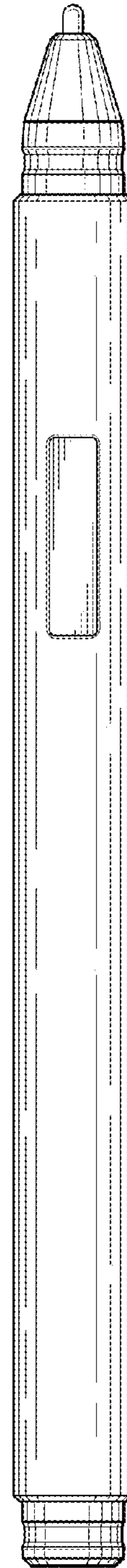


Fig. 24.

Fig. 25.



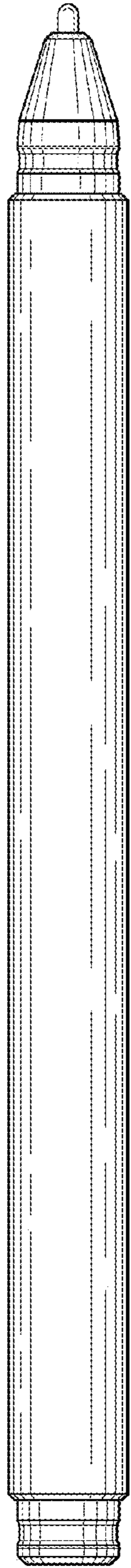


Fig. 26.

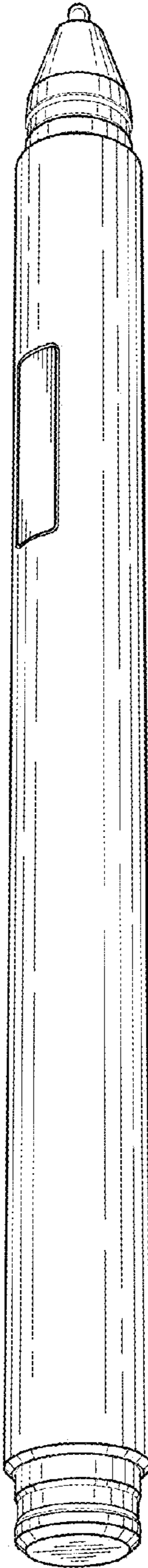


Fig. 27.

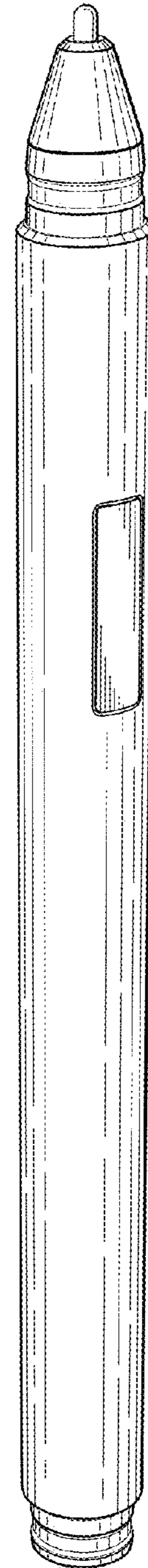


Fig. 28.