



US00D716810S

(12) **United States Design Patent**
Fujita

(10) **Patent No.:** **US D716,810 S**
(45) **Date of Patent:** **** Nov. 4, 2014**

(54) **DATA INPUT DEVICE**

(71) Applicant: **Diatec Corporation**, Tokyo (JP)

(72) Inventor: **Kaname Fujita**, Tokyo (JP)

(73) Assignee: **Diatec Corporation**, Tokyo (JP)

(**) Term: **14 Years**

(21) Appl. No.: **29/441,852**

(22) Filed: **Jan. 10, 2013**

(30) **Foreign Application Priority Data**

Aug. 6, 2012 (JP) 2012-019989

(51) **LOC (10) Cl.** **14-02**

(52) **U.S. Cl.**
USPC **D14/392**

(58) **Field of Classification Search**
USPC D14/391-399, 455; D18/1, 7, 11;
200/5 A, 6 R; 235/145 A, 145 R; 341/22,
341/23

See application file for complete search history.

(56) **References Cited**

U.S. PATENT DOCUMENTS

D344,724 S * 3/1994 Pangburn D14/392
D430,875 S * 9/2000 Beecroft D14/392
D490,812 S * 6/2004 Seid et al. D14/392
D491,562 S * 6/2004 Chou D14/396
7,046,234 B2 * 5/2006 Ozolins 345/168

D526,319 S * 8/2006 Ohno D14/391
D528,117 S * 9/2006 Shimizu D14/391
D579,450 S * 10/2008 Ozolins et al. D14/391
D580,936 S * 11/2008 Meyer et al. D14/391
D684,576 S * 6/2013 Lee D14/392

OTHER PUBLICATIONS

Diatec, Majestouch Minila US67key Brown Stitch, No Date, Date searched Apr. 11, 2014, online, <http://www.diatec.co.jp/en/det.php?prod_c=1320>.*

* cited by examiner

Primary Examiner — Deanna L Pratt

Assistant Examiner — Harold Blackwell, II

(74) *Attorney, Agent, or Firm* — Bacon & Thomas, PLLC

(57) **CLAIM**

The ornamental design for a data input device, as shown and described.

DESCRIPTION

FIG. 1 is a perspective view of a data input device showing my new design;

FIG. 2 is a front elevational view thereof;

FIG. 3 is a rear elevational view thereof;

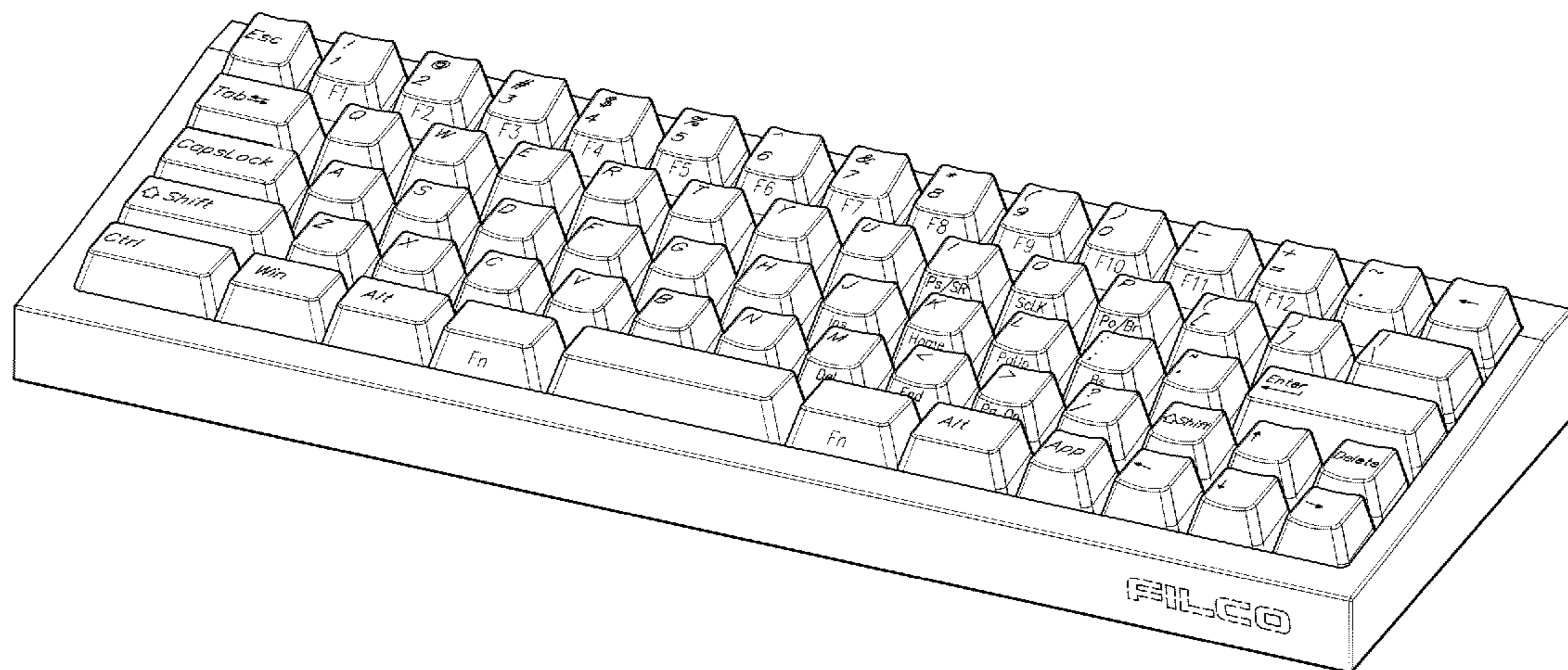
FIG. 4 is a left side elevational view thereof;

FIG. 5 is a right side elevational view thereof;

FIG. 6 is a top plan view thereof; and,

FIG. 7 is a bottom plan view thereof.

1 Claim, 5 Drawing Sheets



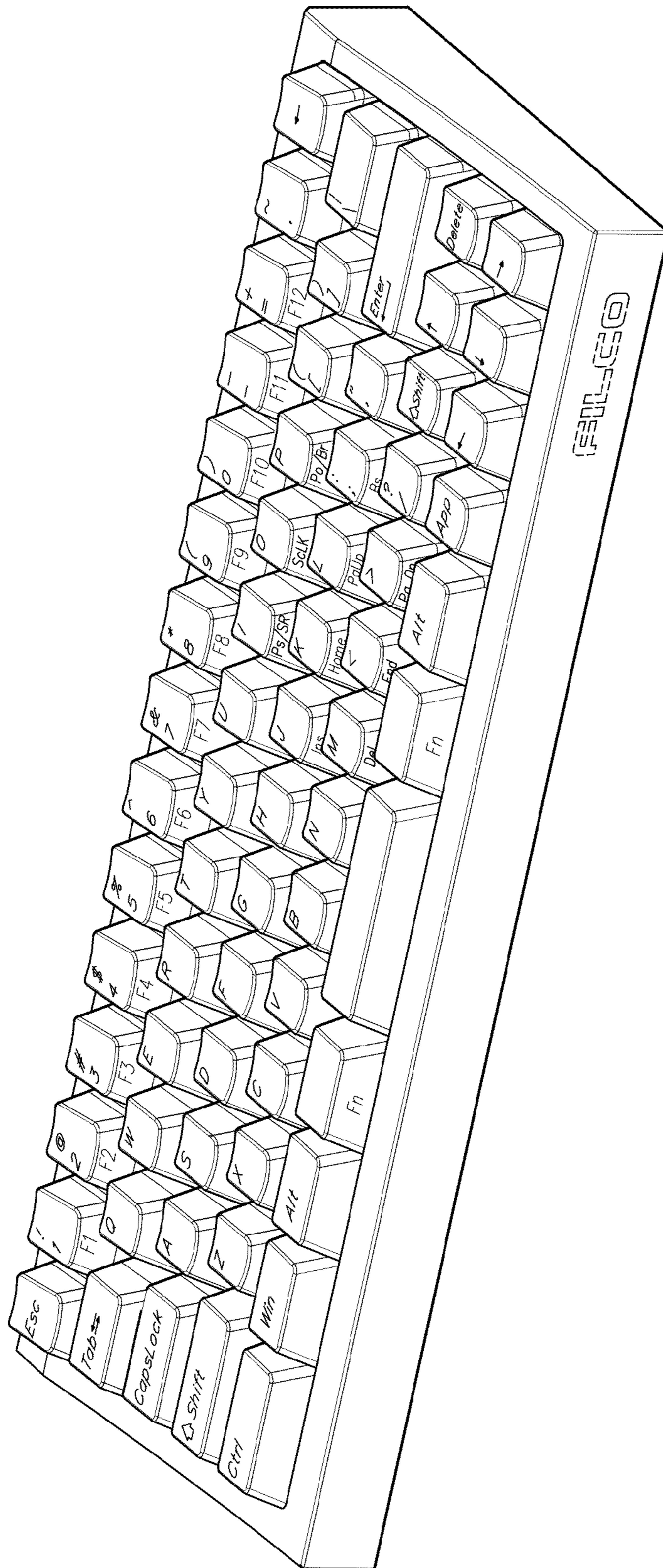


Fig. 1

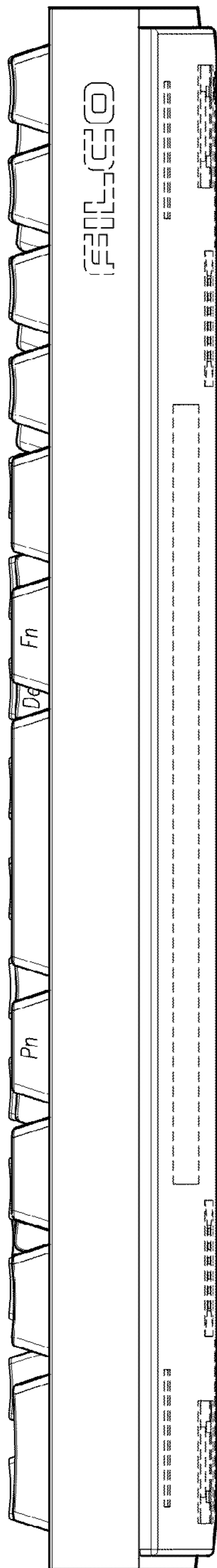


Fig. 2

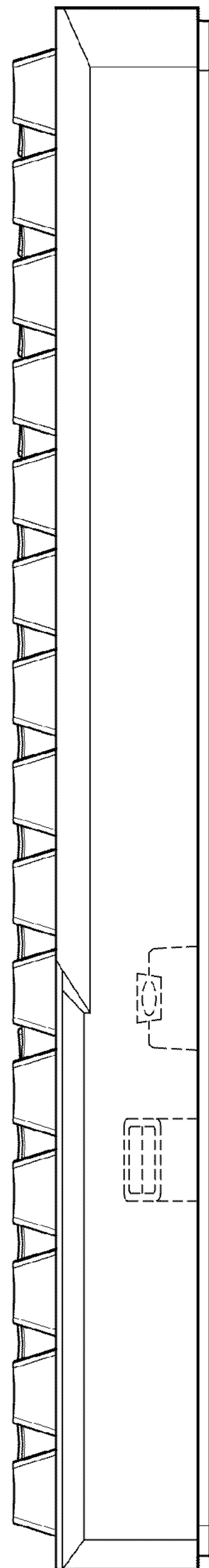


Fig. 3

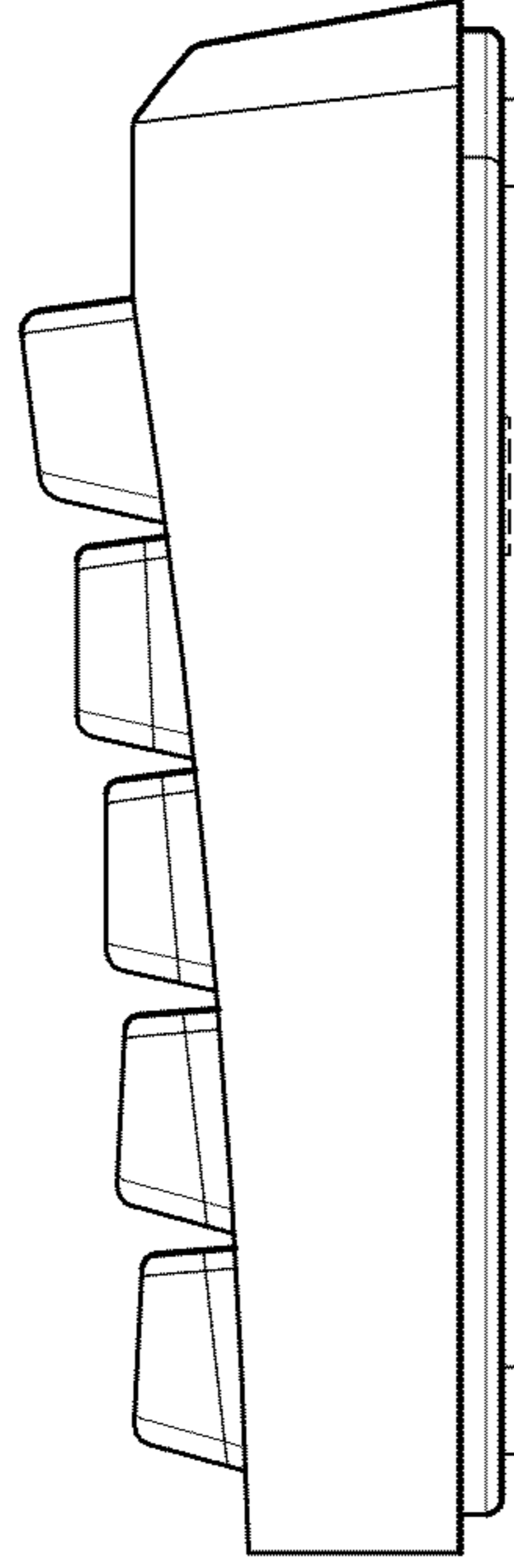


Fig. 5

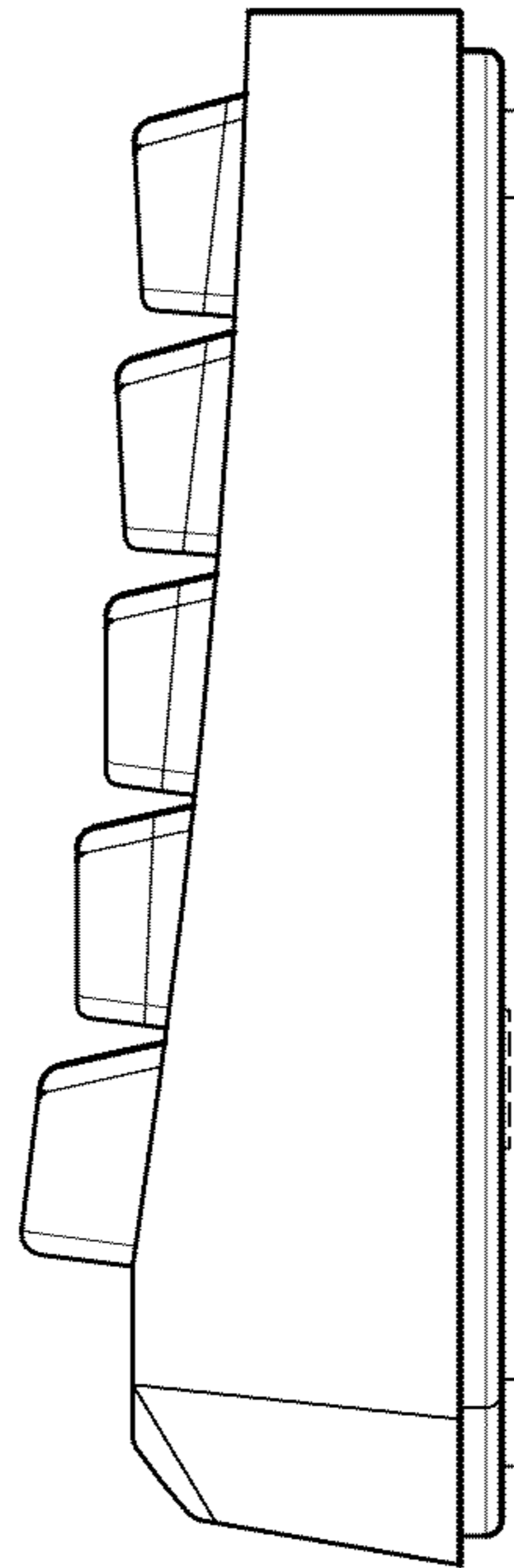


Fig. 4

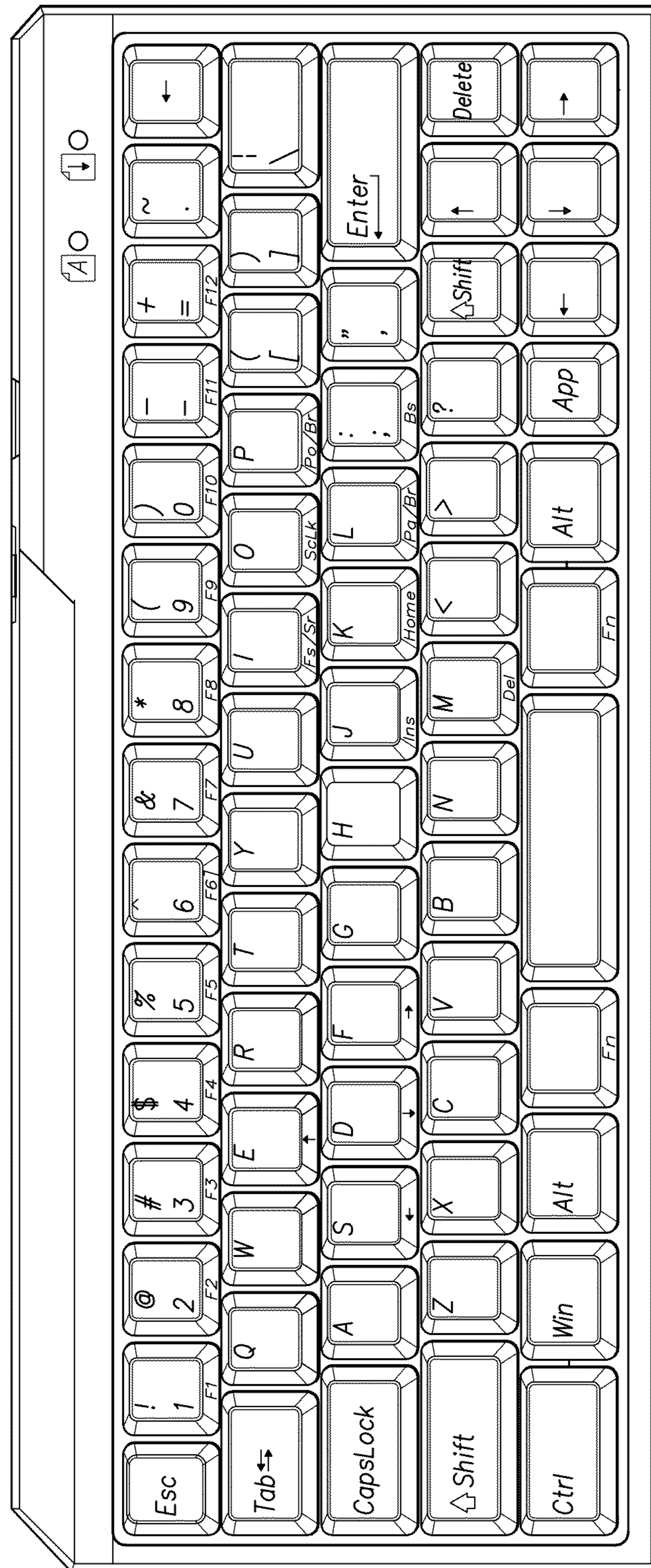


Fig. 6

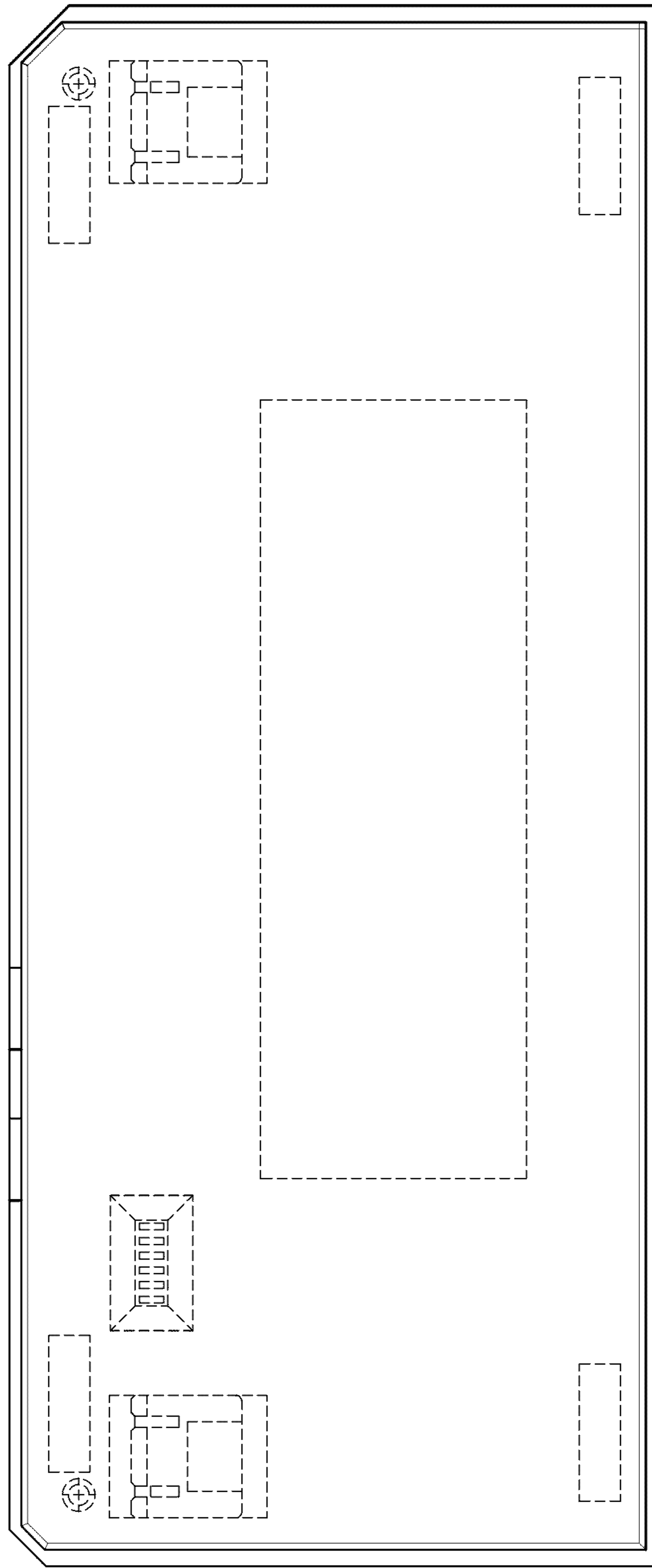


Fig. 7