



US00D716803S

(12) **United States Design Patent**
Neumann

(10) **Patent No.:** **US D716,803 S**
(45) **Date of Patent:** **** Nov. 4, 2014**

(54) **DATA TRANSMISSION EQUIPMENT**

(71) Applicant: **I+ME ACTIA Informatik und Mikro-Elektronik GmbH,**
Braunschweig (DE)

(72) Inventor: **Manfred Neumann,** Braunschweig (DE)

(73) Assignee: **I+ME ACTIA Informatik und Mikro-Elektronik GmbH,**
Braunschweig (DE)

(**) Term: **14 Years**

(21) Appl. No.: **29/448,564**

(22) Filed: **Mar. 13, 2013**

(30) **Foreign Application Priority Data**

Sep. 13, 2012 (WO) DM/691647301

(51) **LOC (10) CL.** **14-02**

(52) **U.S. Cl.**
USPC **D14/358; D14/370**

(58) **Field of Classification Search**
USPC D13/103, 184, 199; D14/125, 137, 155,
D14/167, 188, 203.1–203.8, 217, 230,
D14/238–242, 299–300, 356, 358, 363, 365,
D14/367–368, 370, 432–435.1, 436,
D14/480.1–480.7, 483–484.1, 496;
361/679.31–679.41, 752;
710/300–304; 711/100, 115
See application file for complete search history.

(56) **References Cited**

U.S. PATENT DOCUMENTS

D463,426 S * 9/2002 Cheng D14/480.1
D530,340 S * 10/2006 Andre et al. D14/203.3
D534,921 S * 1/2007 Andre et al. D14/203.3
D642,585 S * 8/2011 Lan et al. D14/480.5
D670,297 S * 11/2012 Huang D14/480.5

FOREIGN PATENT DOCUMENTS

CN 301839726 * 2/2012
EM 001741596-0001 8/2010
EM 001925652-0001 * 9/2011

OTHER PUBLICATIONS

Wholesale—150M IEEE802.11 G/ N USB 2.0 Wireless LAN Card WiFi Adapter for Desktop PC Computer10pcs. [online]. DHgate.com, 2013 [retrieved on Nov. 26, 2013]. Retrieved from the Internet: <URL: <http://www.dhgate.com/product/150m-ieee802-11-g-n-usb-2-0-wireless-lan/124339745.html>>.*
Wireless USB adapter kit heads to UK. [online]. Meyer, David, 2008 [retrieved on Nov. 26, 2013]. Retrieved from the Internet: <URL: <http://www.zdnet.com/wireless-usb-adapter-kit-heads-to-uk-3039548110/>>.*

* cited by examiner

Primary Examiner — Richard E Chilcot

Assistant Examiner — John Eberhart

(74) *Attorney, Agent, or Firm* — Whitham Curtis Christofferson & Cook, PC

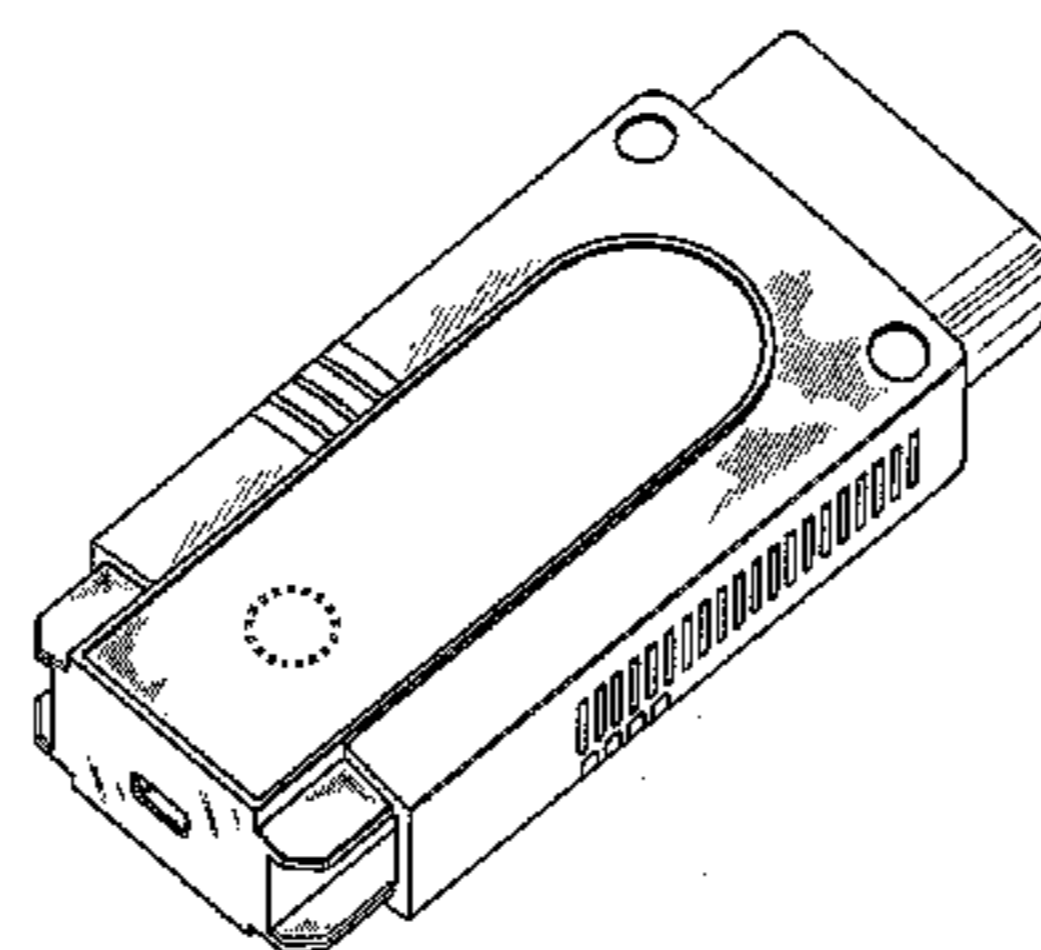
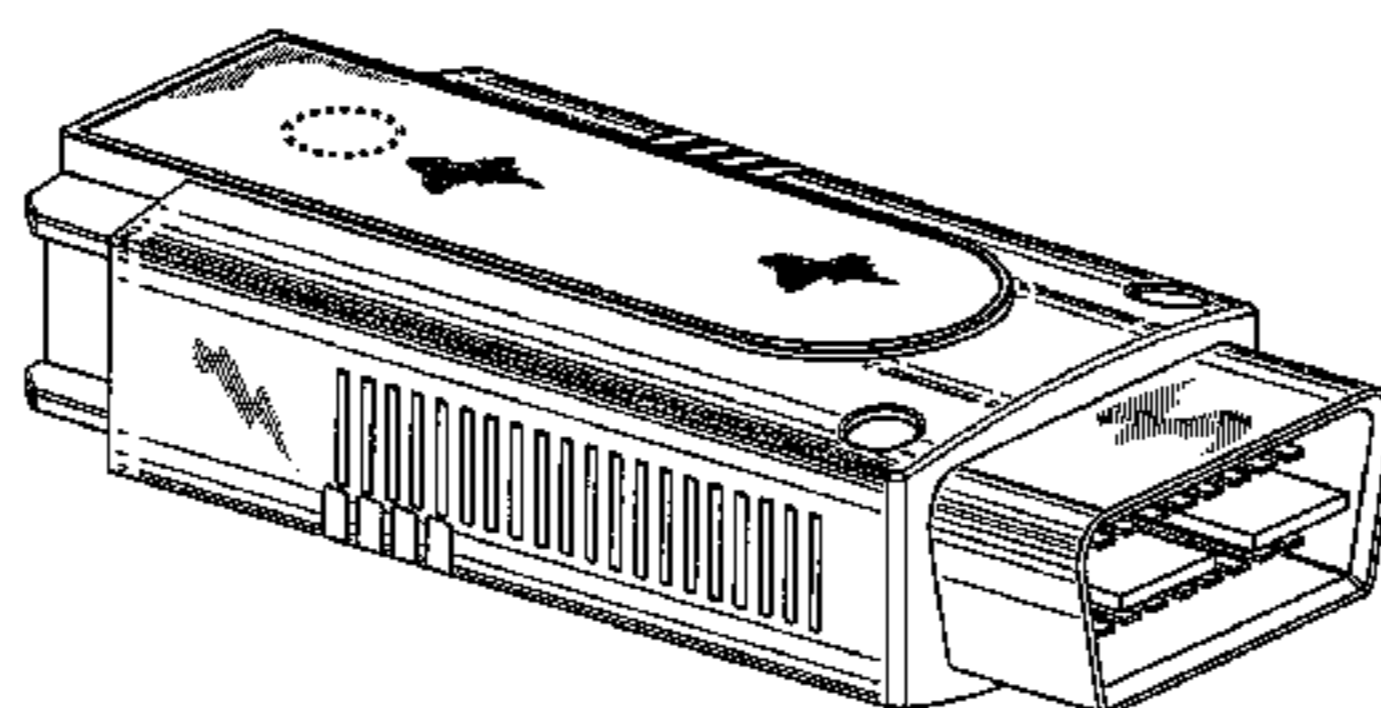
(57) **CLAIM**

I claim the ornamental design for a data transmission equipment, as shown and described.

DESCRIPTION

FIG. 1 is a rear elevation view of a data transmission equipment;
FIG. 2 is a front elevation view of a data transmission equipment;
FIG. 3 is top plan view of a data transmission equipment;
FIG. 4 is a bottom plan view of a data transmission equipment;
FIG. 5 is a right side elevation view of a data transmission equipment;
FIG. 6 is a perspective view of a data transmission equipment;
and,
FIG. 7 is a second perspective view of a data transmission equipment.
The left side of a data transmission equipment forms no part of the claimed design except for what is shown in FIGS. 1 through 4.
Broken line areas show environmental structure and form no part of the claimed design.

1 Claim, 7 Drawing Sheets



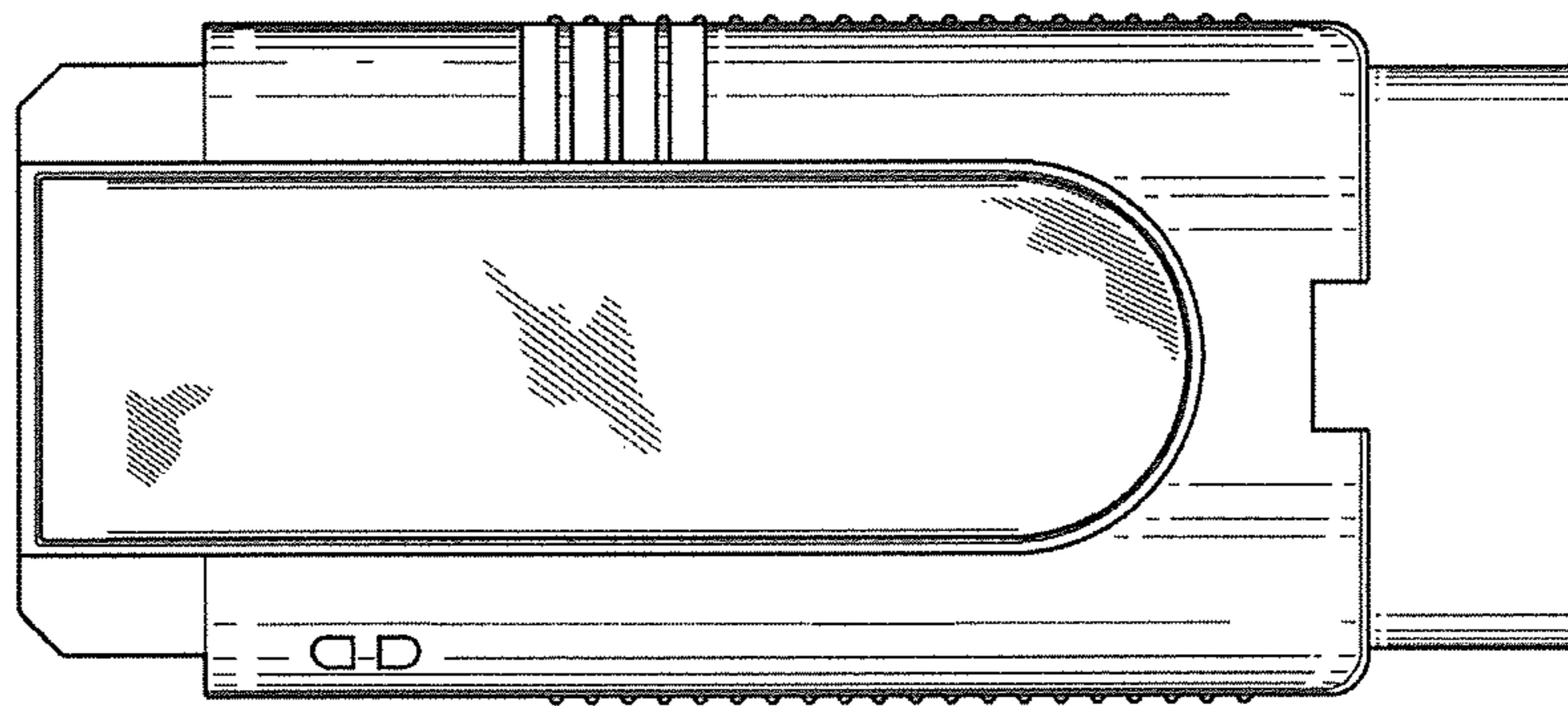


Figure 1

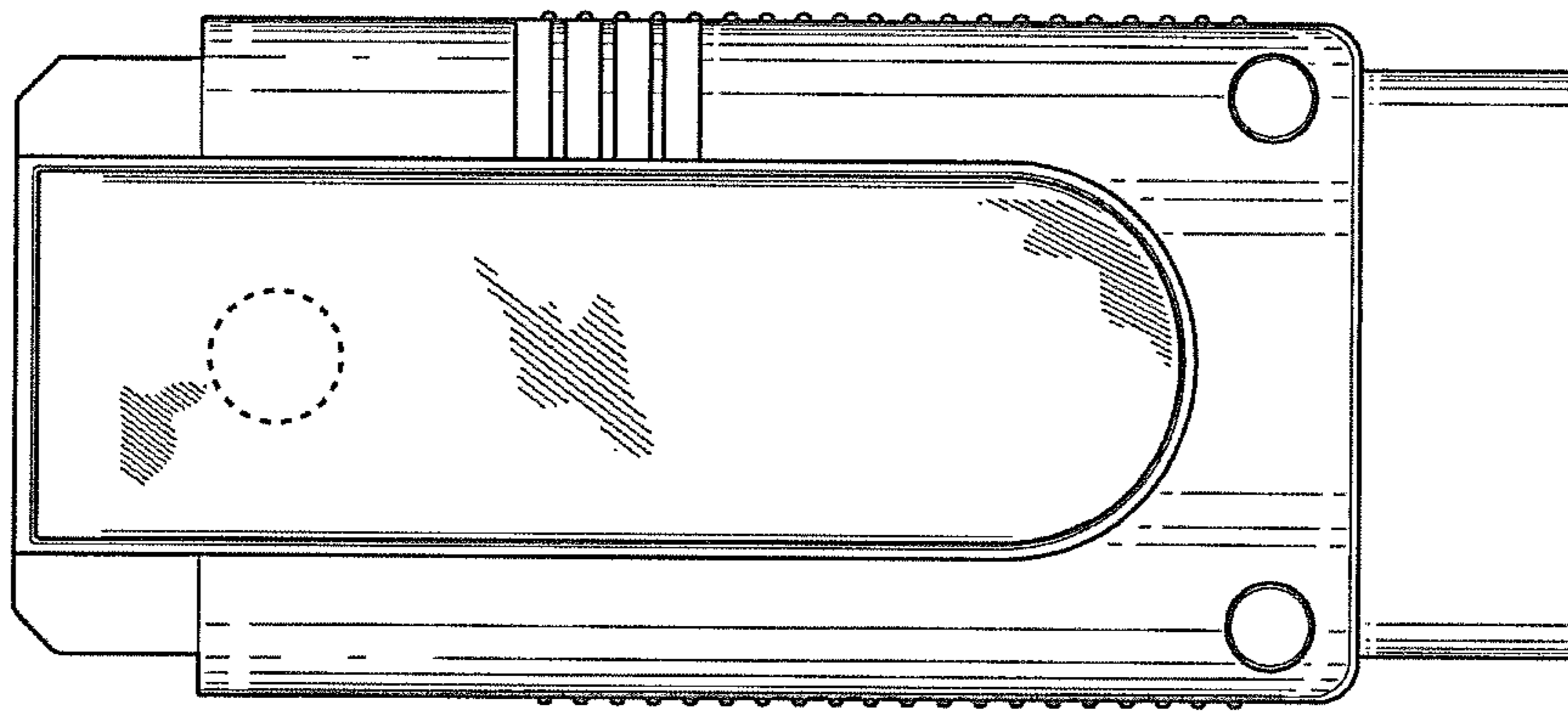


Figure 2

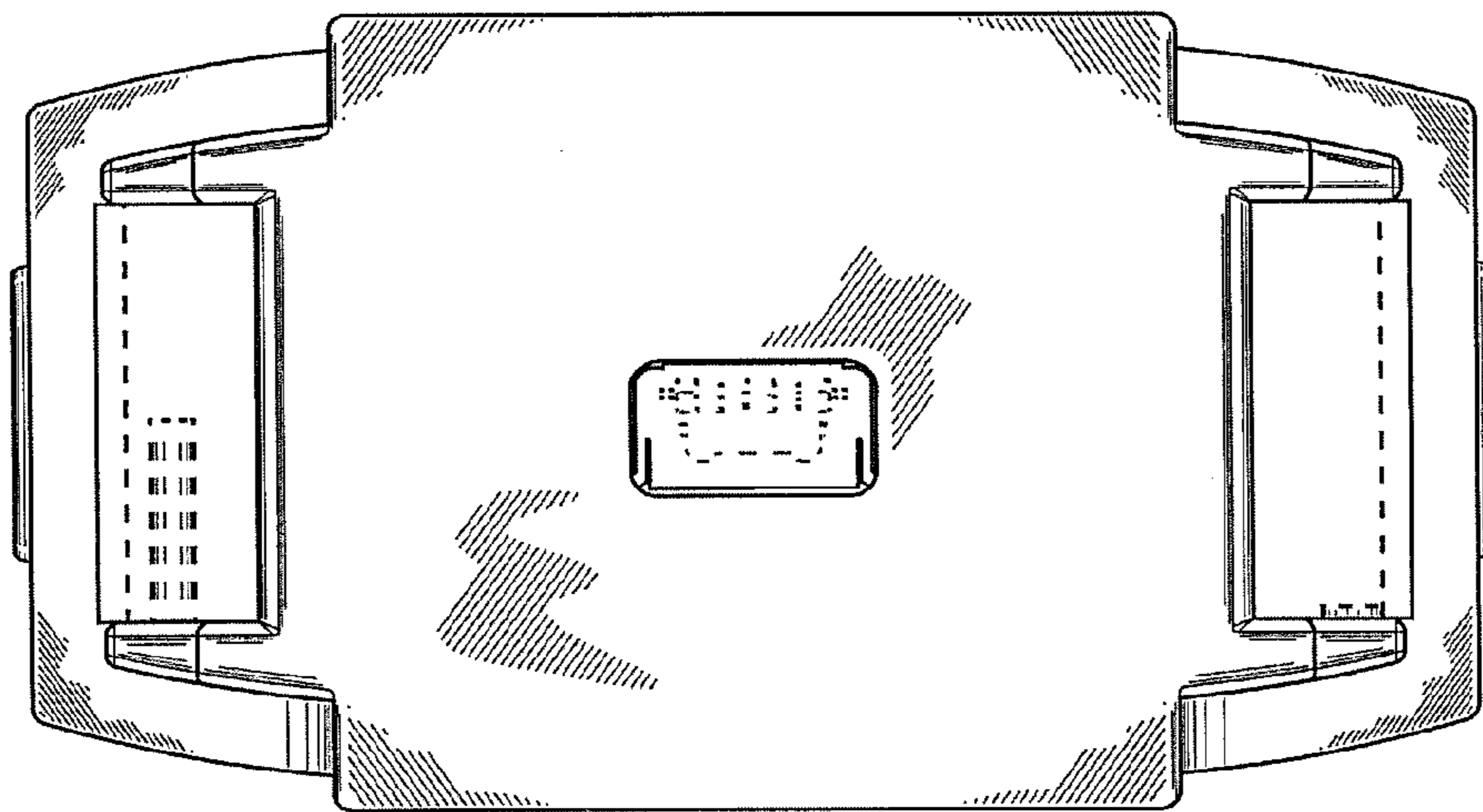


Figure 3

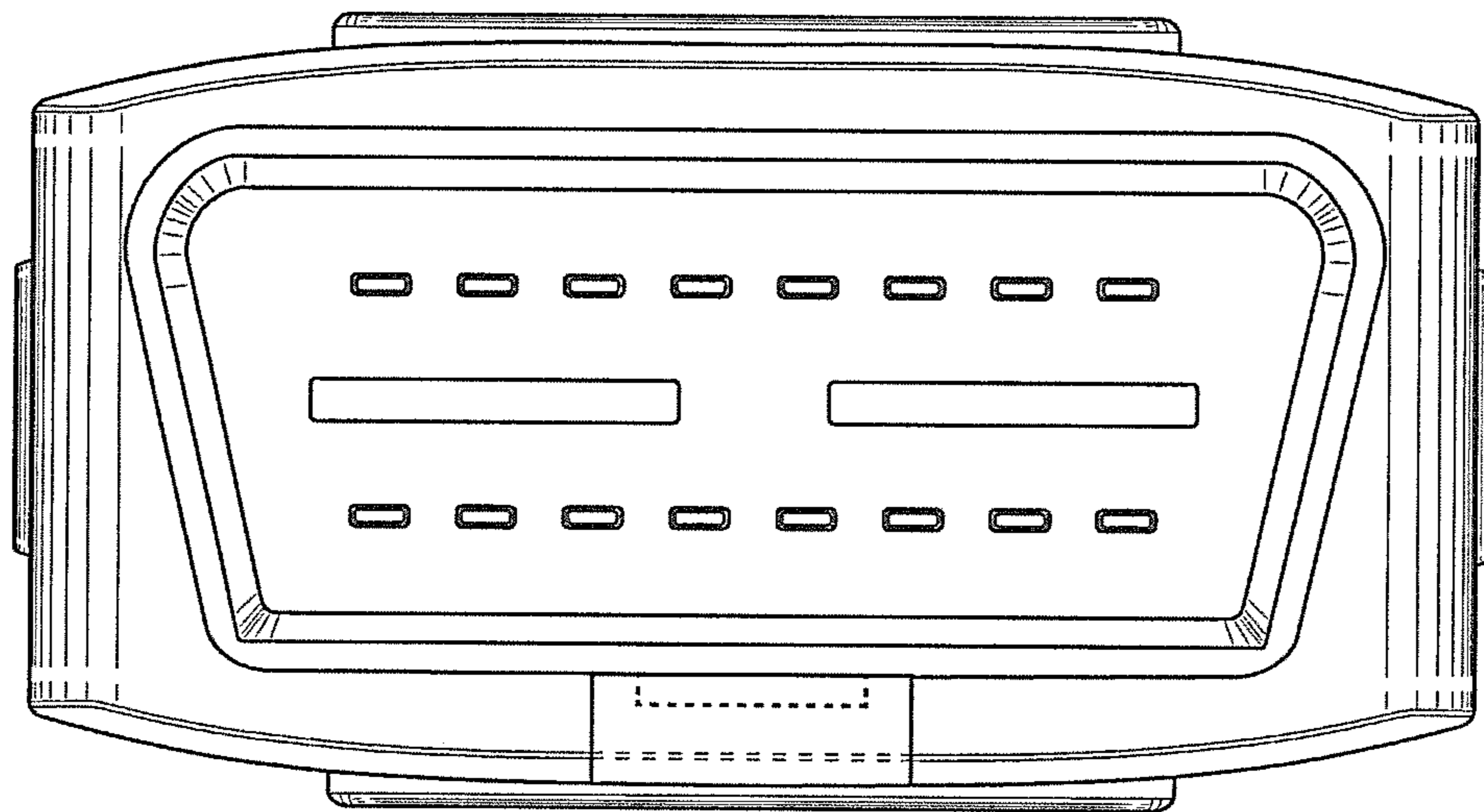


Figure 4

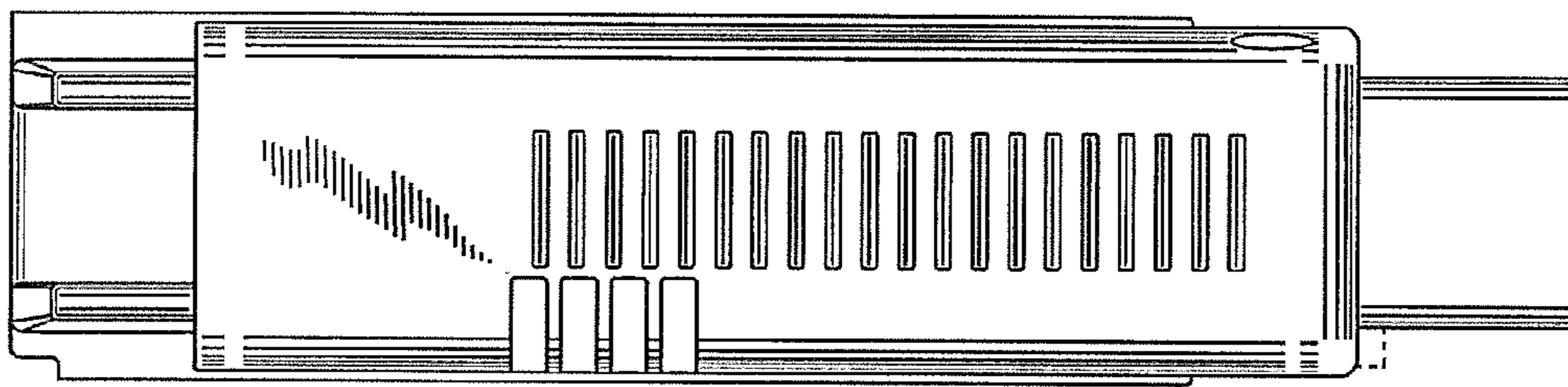


Figure 5

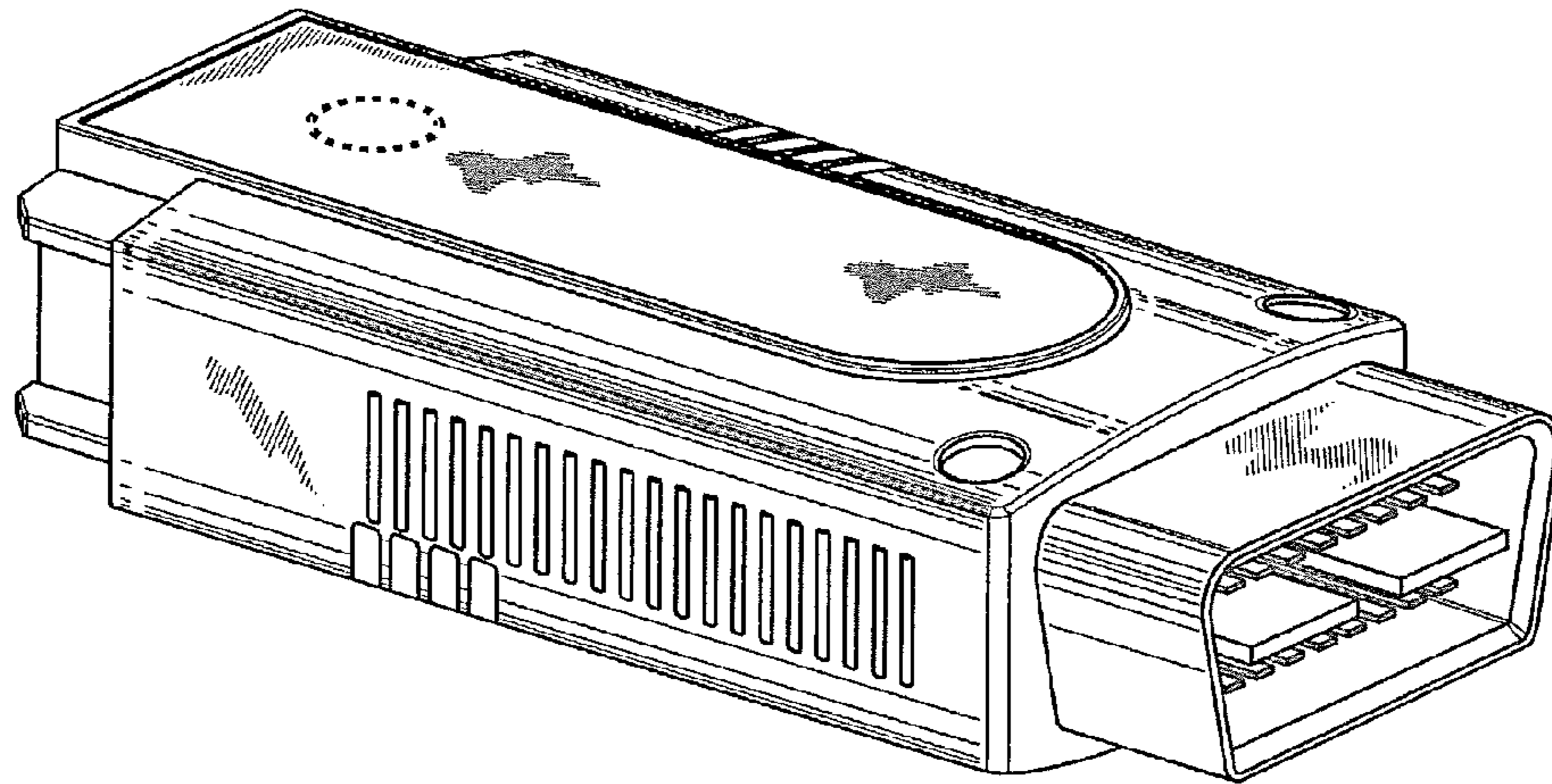


Figure 6

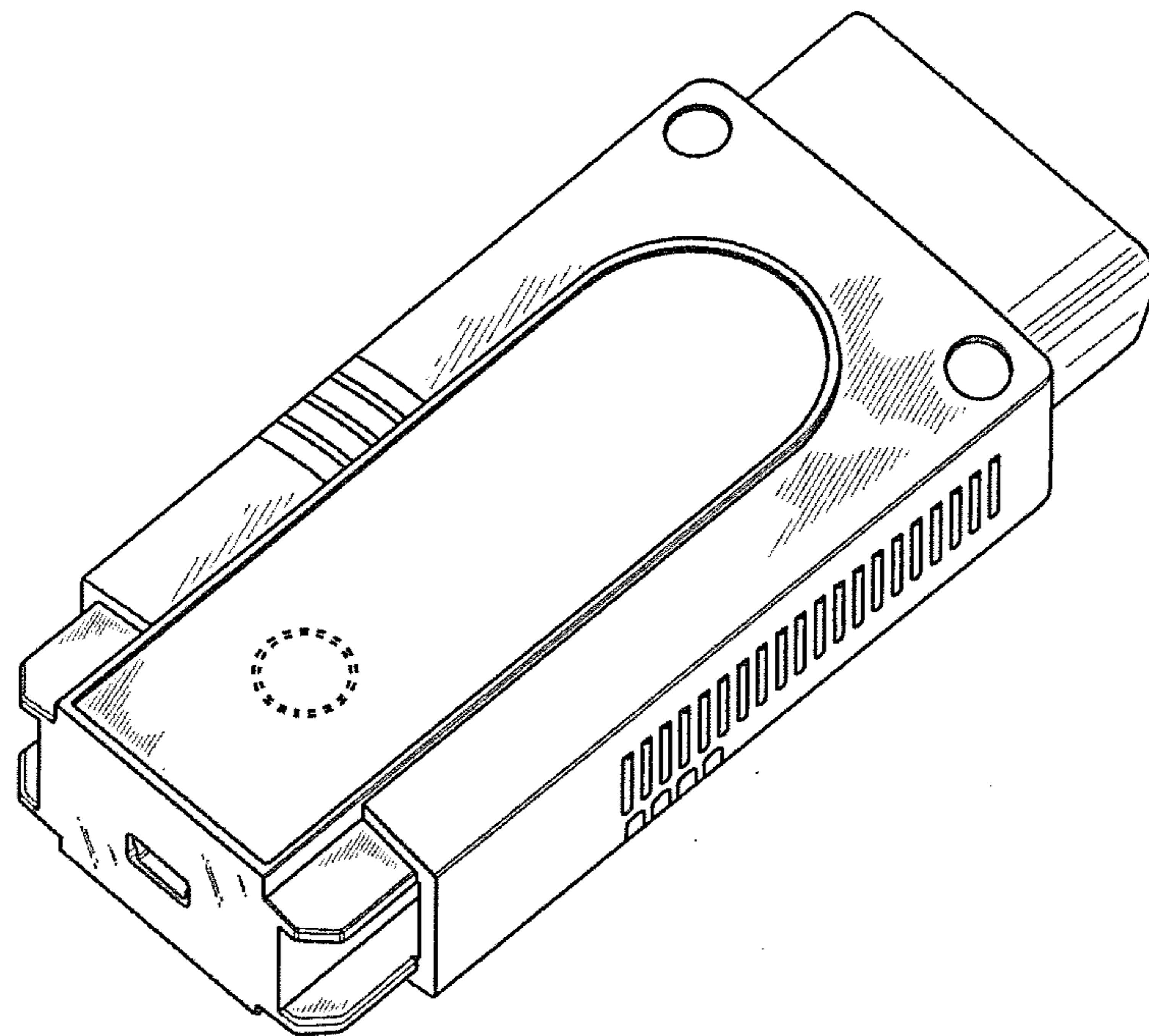


Figure 7