



US00D716802S

(12) **United States Design Patent**
Koberling et al.

(10) **Patent No.:** **US D716,802 S**

(45) **Date of Patent:** **** Nov. 4, 2014**

(54) **ARITHMETIC AND CONTROL UNIT**

(71) Applicant: **Fujitsu Limited**, Kawasaki (JP)

(72) Inventors: **Toni Koberling**, München (DE);
Nobuharu Tsusaka, Kawasaki (JP);
Hiroyuki Fujita, Tokyo (JP); **Hisao Morooka**, Kawasaki (JP); **Eiji Nagao**, Ichikawa (JP); **Mark Friesen**, Tokyo (JP)

(73) Assignee: **Fujitsu Limited**, Kawasaki (JP)

(**) Term: **14 Years**

(21) Appl. No.: **29/454,062**

(22) Filed: **May 6, 2013**

(30) **Foreign Application Priority Data**

Nov. 6, 2012 (JP) 2012-027025

(51) **LOC (10) Cl.** **14-02**

(52) **U.S. Cl.**
USPC **D14/349**

(58) **Field of Classification Search**
USPC 263/300, 308, 348-358, 365; D13/162,
D13/184, 199; 312/223.1-223.3, 351.11;
360/99.01-99.12; 369/34.01-36.01;
361/679.6, 679.31-679.33, 679.58

See application file for complete search history.

(56) **References Cited**

U.S. PATENT DOCUMENTS

5,934,774 A *	8/1999	Wu et al.	312/223.2
D471,193 S *	3/2003	Chen et al.	D14/348
D501,476 S *	2/2005	Quijano	D14/352
D525,968 S *	8/2006	Peng et al.	D14/300
D545,309 S *	6/2007	Noda et al.	D14/349
D647,090 S *	10/2011	Chen et al.	D14/349
D647,523 S *	10/2011	Su	D14/349
2003/0122457 A1 *	7/2003	Diaz et al.	312/223.2

* cited by examiner

Primary Examiner — Freda S Nunn

(74) *Attorney, Agent, or Firm* — Staas & Halsey LLP

(57) **CLAIM**

The ornamental design for an arithmetic and control unit, as shown and described.

DESCRIPTION

FIG. 1 is a perspective view of front, top and right side of an arithmetic and control unit showing our new design;

FIG. 2 is a front view thereof;

FIG. 3 is a rear view thereof;

FIG. 4 is a left side view thereof;

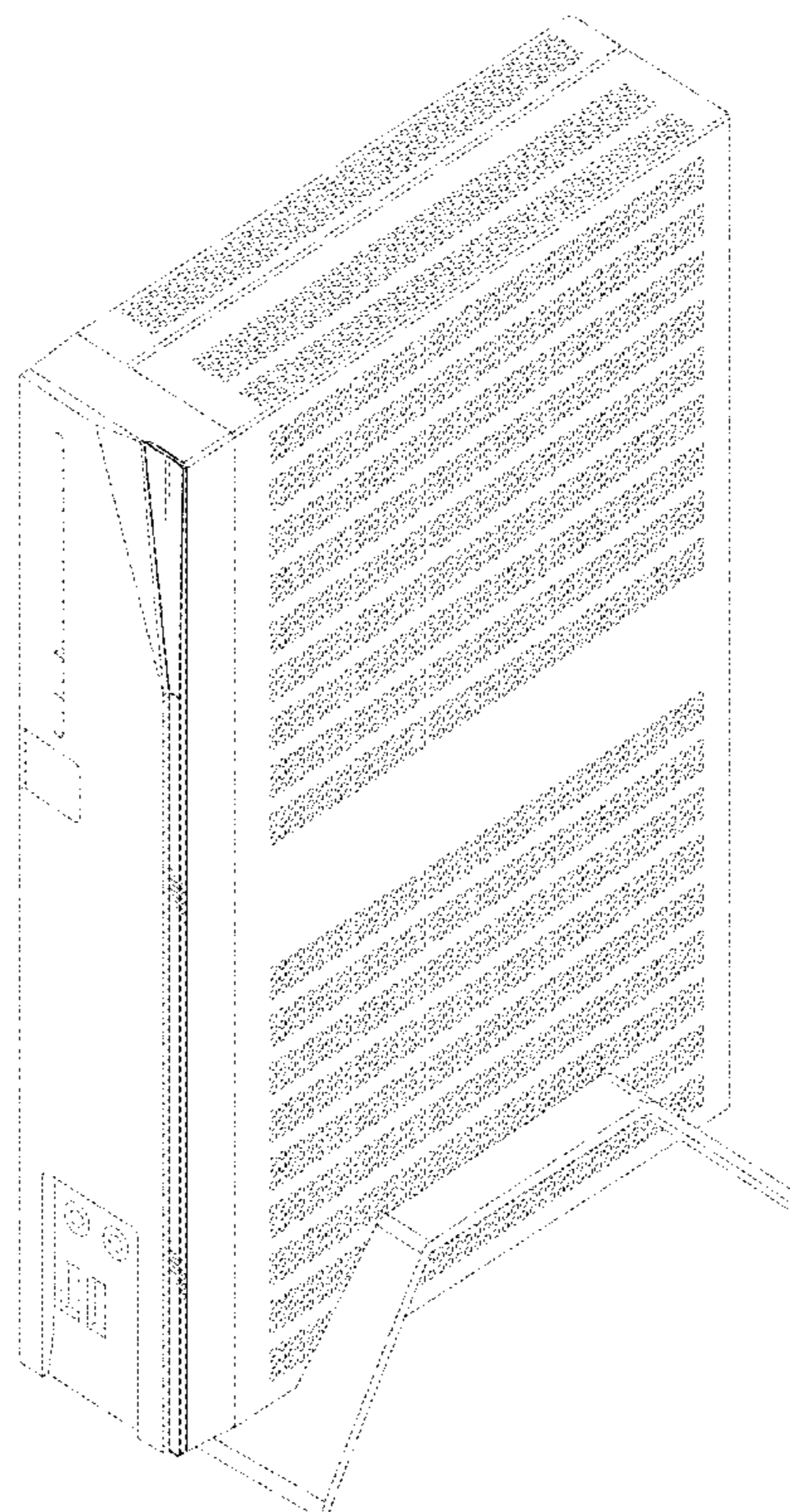
FIG. 5 is a right side view thereof;

FIG. 6 is a top view thereof; and,

FIG. 7 is a bottom view thereof.

The broken lines shown are included for the purpose of illustrating the unclaimed portions of an arithmetic and control unit and form no part of the claimed design.

1 Claim, 5 Drawing Sheets



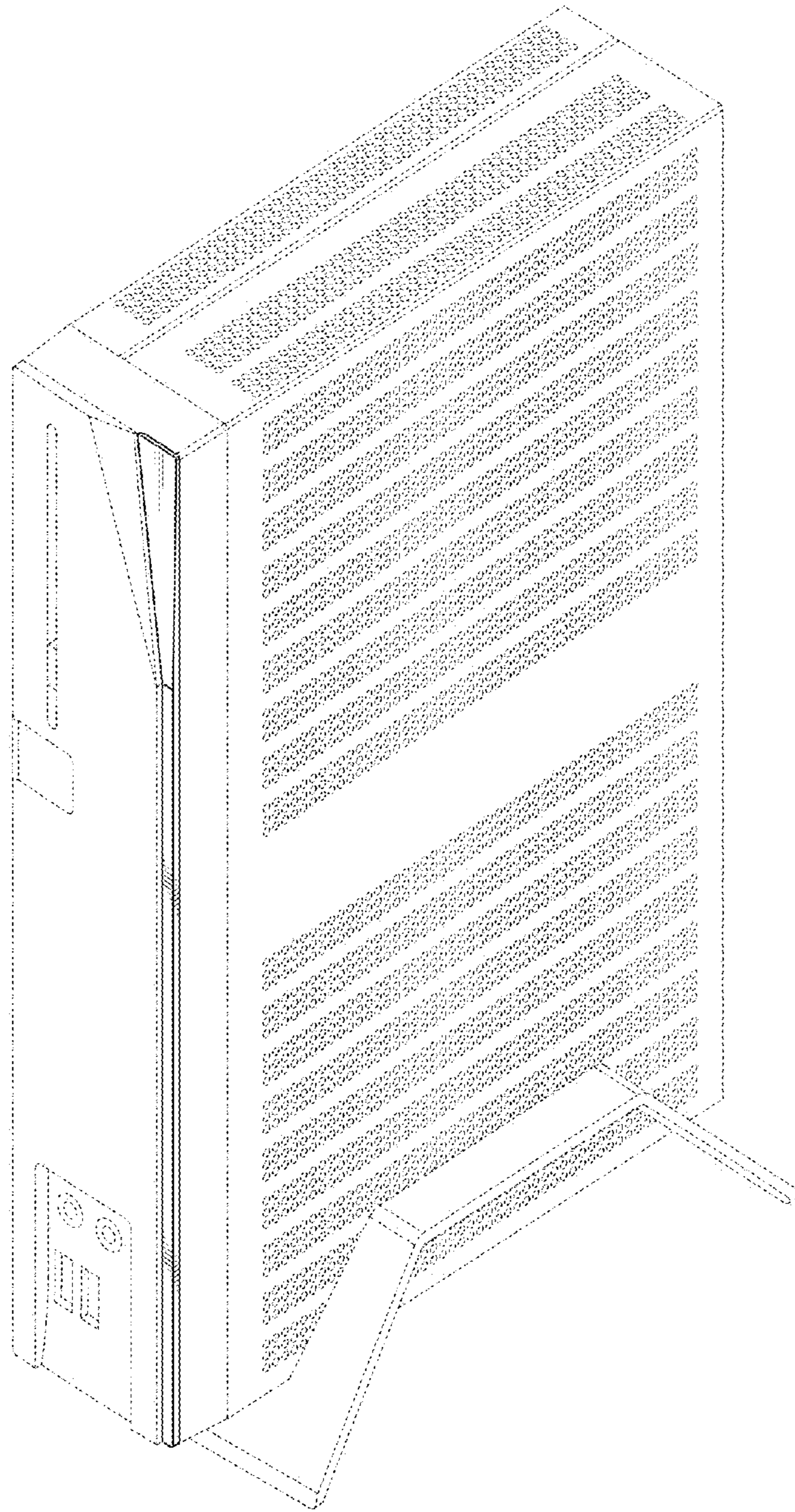


FIG. 1

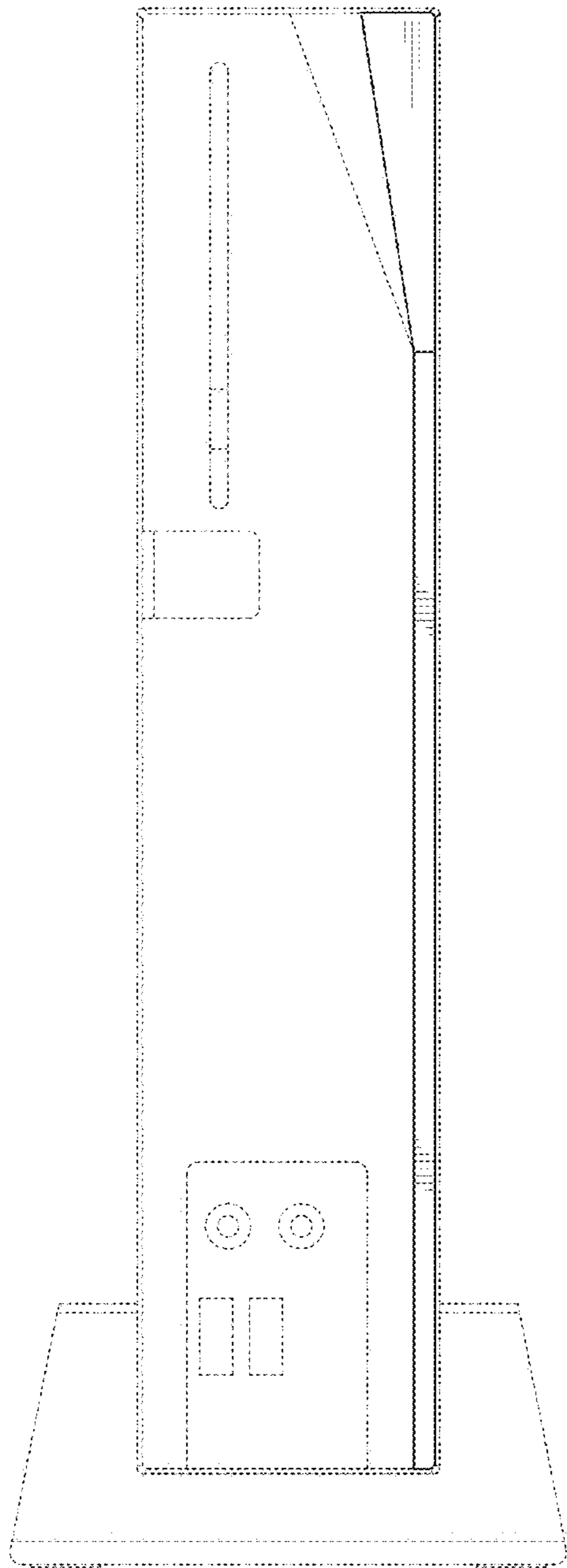


FIG. 2

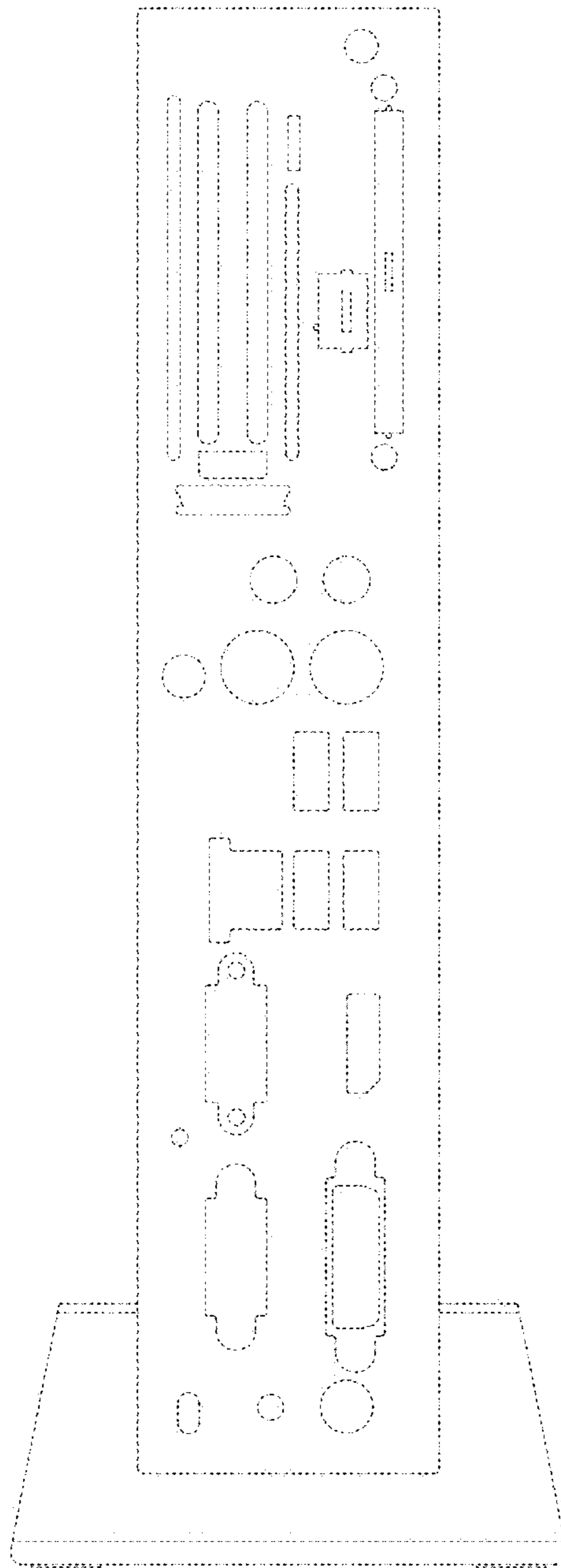


FIG. 3

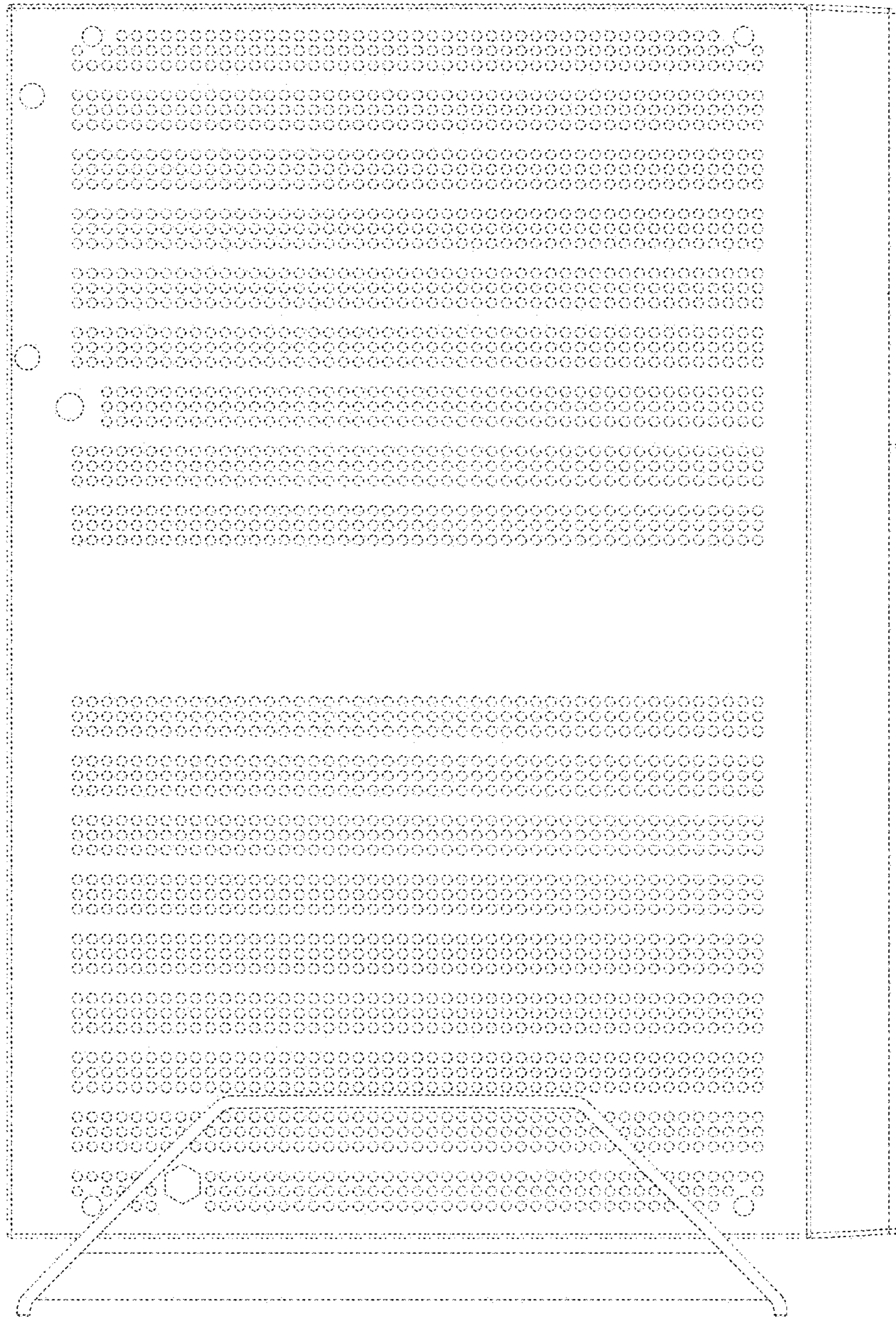


FIG. 4

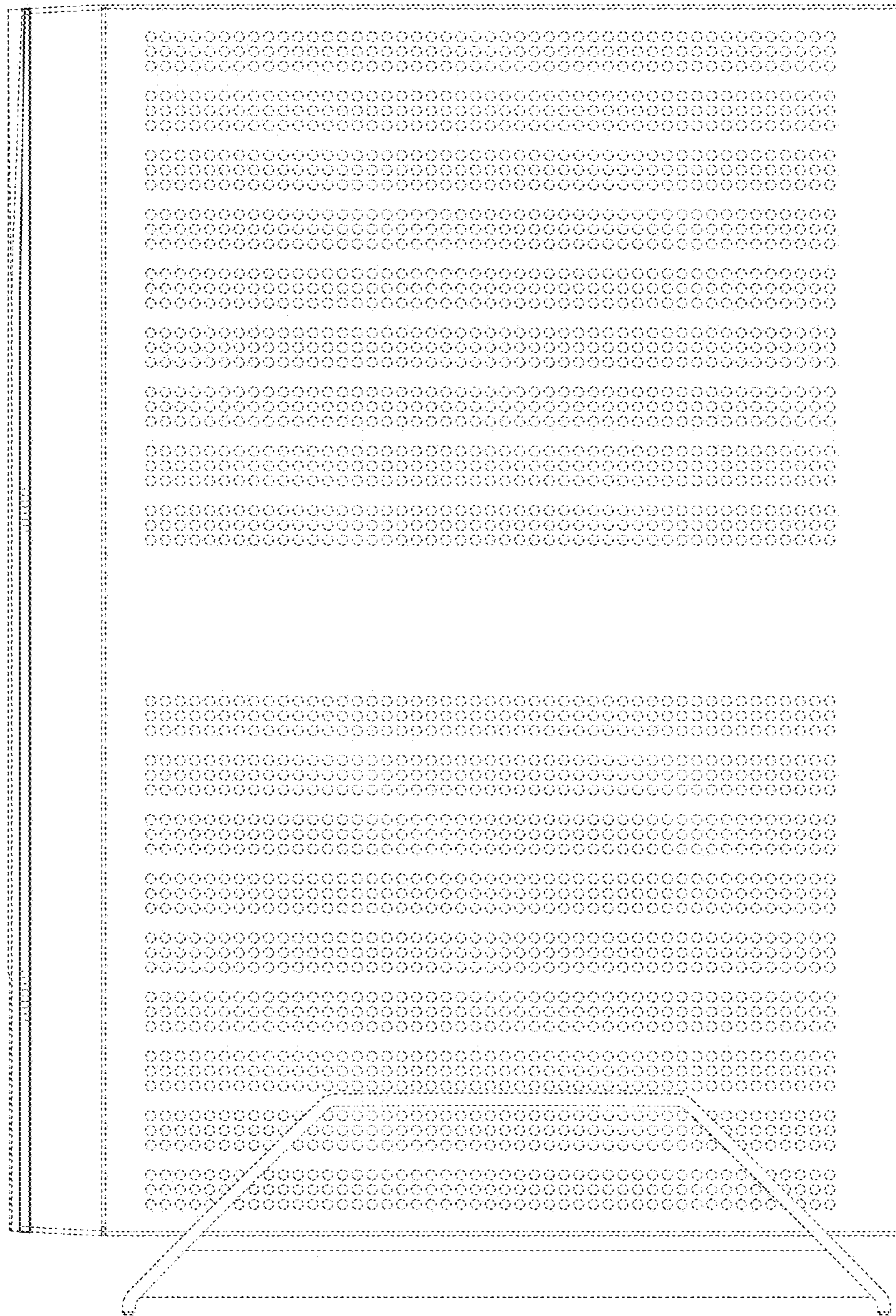


FIG. 5

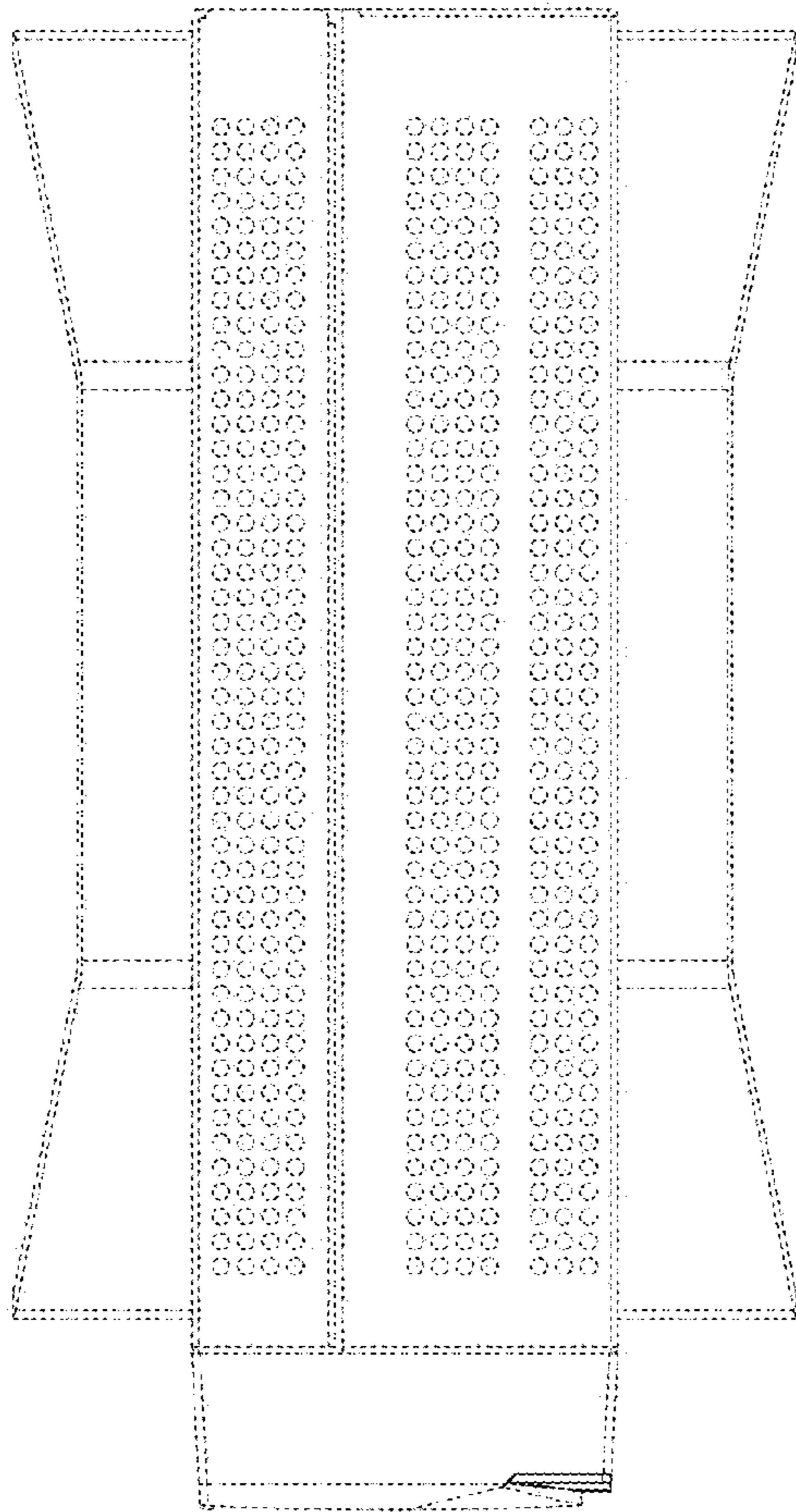


FIG. 6

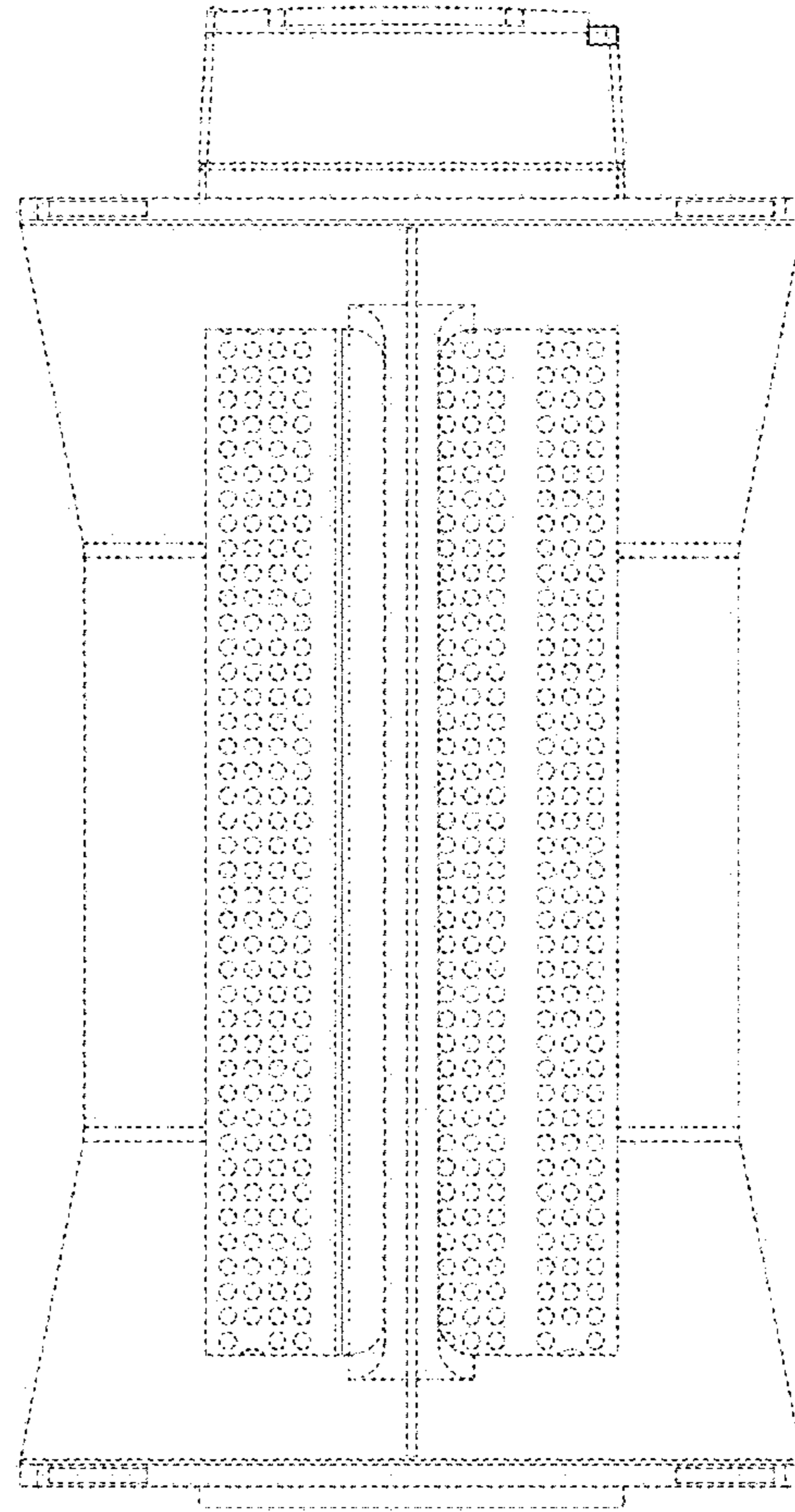


FIG. 7