

US00D716800S

(12) **United States Design Patent**  
**Lee et al.**

(10) **Patent No.:** **US D716,800 S**  
(45) **Date of Patent:** **\*\* Nov. 4, 2014**

(54) **PORTABLE DISPLAY DEVICE**

- (71) Applicant: **Samsung Display Co., Ltd.**, Yongin (KR)
- (72) Inventors: **Yong-Joon Lee**, Yongin (KR); **Hae-Kang Lee**, Yongin (KR); **Woo-Jong Lee**, Yongin (KR)
- (73) Assignee: **Samsung Display Co., Ltd.**, Giheung-Gu, Yongin, Gyeonggi-Do (KR)
- (\*\*) Term: **14 Years**

- (21) Appl. No.: **29/441,113**
- (22) Filed: **Dec. 31, 2012**

- (30) **Foreign Application Priority Data**  
Nov. 20, 2012 (KR) ..... 30-2012-0055429
- (51) **LOC (10) Cl.** ..... **14-02**
- (52) **U.S. Cl.**  
USPC ..... **D14/345**
- (58) **Field of Classification Search**  
USPC ..... D14/341-347, 336, 337, 371, 374, 138, D14/496; D10/65; 345/173, 901, 104, 133, 345/156, 168; 348/180, 184, 325, 739, 373, 348/376; 385/88; 710/62; 455/575.3, 575.1  
See application file for complete search history.

- (56) **References Cited**  
**U.S. PATENT DOCUMENTS**  
D391,987 S \* 3/1998 Jambhekar et al. .... D14/345  
D445,787 S \* 7/2001 Francis ..... D14/345  
D452,242 S 12/2001 Haney  
D493,463 S \* 7/2004 Takahashi ..... D14/373  
D507,567 S \* 7/2005 Yonekawa et al. .... D14/345

(Continued)

- FOREIGN PATENT DOCUMENTS**  
KR 30-0569582 8/2010  
KR 30-0596470 4/2011

**OTHER PUBLICATIONS**

Printout from webpage at [http://www.google.co.kr/imgres?imgurl=http://infosthetics.com/archives/affective\\_diary3.jpg&imgrefurl=http://infosthetics.com/archives/2007/08/sensor\\_mobile\\_phone\\_affective\\_diary.html&usg=\\_\\_AL7YMZFd8LHiM80QNWcb8UF1fHQ=&h=332&w=400&sz=62&hl=ko&start=38&sig2=ETCzWrWHE9SKC4g2JXPhVw&zoom=1&tbnid=AD0ASYONyodlfM:&tbnh=103&tbnw=124&ei=HeWEUMK\\_OYXLmgXBmIDYAg&prev=/search%3Fq%3Dmobile%](http://www.google.co.kr/imgres?imgurl=http://infosthetics.com/archives/affective_diary3.jpg&imgrefurl=http://infosthetics.com/archives/2007/08/sensor_mobile_phone_affective_diary.html&usg=__AL7YMZFd8LHiM80QNWcb8UF1fHQ=&h=332&w=400&sz=62&hl=ko&start=38&sig2=ETCzWrWHE9SKC4g2JXPhVw&zoom=1&tbnid=AD0ASYONyodlfM:&tbnh=103&tbnw=124&ei=HeWEUMK_OYXLmgXBmIDYAg&prev=/search%3Fq%3Dmobile%).

(Continued)

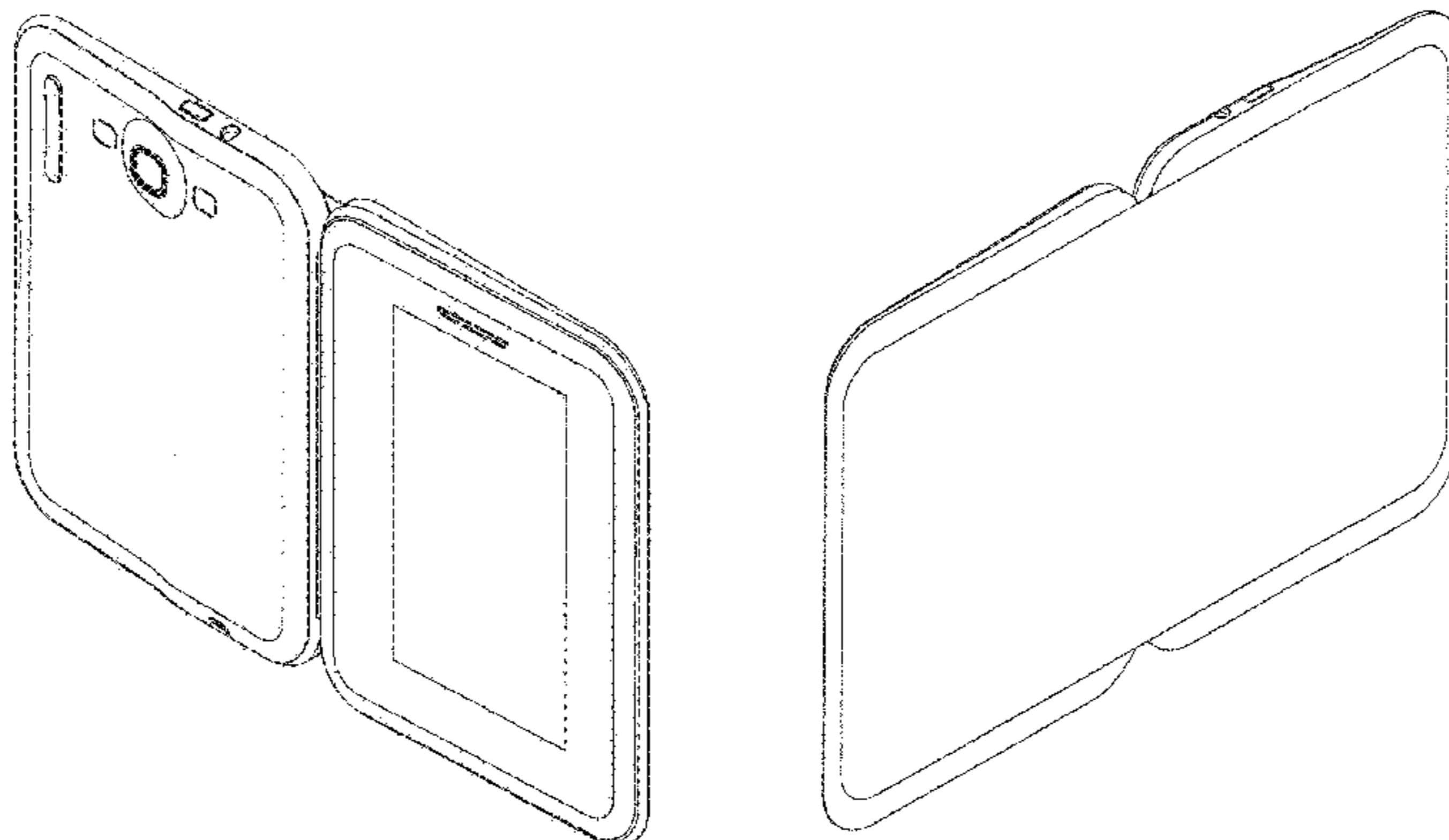
*Primary Examiner* — Barbara Fox  
(74) *Attorney, Agent, or Firm* — Robert E. Bushnell, Esq.

- (57) **CLAIM**  
The ornamental design for a portable display device, as shown and described.

**DESCRIPTION**

FIG. 1 is a front oblique view of the portable display device showing our new design in an open position; FIG. 2 is a front view thereof; FIG. 3 is a rear view thereof; FIG. 4 is a left side view thereof; FIG. 5 is a right side view thereof; FIG. 6 is a top view thereof; FIG. 7 is a bottom view thereof; FIG. 8 is an oblique view illustrating an inner screen deployed on a reverse side of FIG. 1; and, FIG. 9 illustrates a state in which the portable display device is folded into a closed position and is being used as a mobile phone.  
Screen units providing visual display devices are formed on an outer side and an inner side of the item, respectively. The broken lines in the drawings are shown for illustrative purposes only and form no part of the claimed design.

**1 Claim, 7 Drawing Sheets**



(56)

References Cited

U.S. PATENT DOCUMENTS

D517,545 S \* 3/2006 Buckel et al. .... D14/345  
 D555,656 S \* 11/2007 Bishop et al. .... D14/448  
 7,408,698 B2 \* 8/2008 Kuo et al. .... 359/296  
 D580,432 S \* 11/2008 Yun et al. .... D14/345  
 D584,726 S \* 1/2009 Morita ..... D14/341  
 D585,444 S \* 1/2009 Verschoor ..... D14/345  
 D603,840 S 11/2009 Lee et al.  
 D610,612 S \* 2/2010 Rhee ..... D19/26  
 D618,683 S \* 6/2010 Wilson et al. .... D14/371  
 D624,517 S \* 9/2010 Lee et al. .... D14/138 AB  
 D626,124 S \* 10/2010 Chyan et al. .... D14/341  
 D627,777 S 11/2010 Akana et al.  
 D631,043 S \* 1/2011 Kell ..... D14/341  
 D631,455 S \* 1/2011 Kim et al. .... D14/138 AB  
 D635,567 S \* 4/2011 Rashid et al. .... D14/341  
 D637,596 S 5/2011 Akana et al.  
 D639,806 S \* 6/2011 Lee et al. .... D14/345  
 D641,353 S \* 7/2011 Rashid et al. .... D14/341  
 D644,219 S \* 8/2011 Sawada ..... D14/345  
 D650,780 S \* 12/2011 Rashid et al. .... D14/341

D658,173 S \* 4/2012 Kim ..... D14/345  
 D669,069 S 10/2012 Akana et al.  
 D669,070 S 10/2012 Hsu et al.  
 D669,468 S 10/2012 Akana et al.  
 D670,286 S 11/2012 Akana et al.  
 D670,692 S 11/2012 Akana et al.  
 D671,114 S 11/2012 Akana et al.  
 D680,531 S \* 4/2013 Honda et al. .... D14/345  
 D680,532 S \* 4/2013 Reeves et al. .... D14/345  
 D685,781 S \* 7/2013 Adams ..... D14/315  
 D693,323 S \* 11/2013 Kawase et al. .... D14/138 AB  
 D696,665 S \* 12/2013 Nakano et al. .... D14/345  
 2007/0146307 A1 \* 6/2007 Kuo et al. .... 345/107  
 2008/0167095 A1 \* 7/2008 Kim et al. .... 455/575.3  
 2009/0231233 A1 \* 9/2009 Liberatore ..... 345/1.3  
 2010/0177047 A1 \* 7/2010 Brenneman et al. .... 345/173  
 2013/0307816 A1 \* 11/2013 Lee et al. .... 345/174

OTHER PUBLICATIONS

“Diptych.”  $\frac{1}{3}$ - $\frac{2}{3}$ . Catholic Encyclopedia ([www.newadvent.org/cathen/05022a.htm](http://www.newadvent.org/cathen/05022a.htm)).

\* cited by examiner

FIG. 1

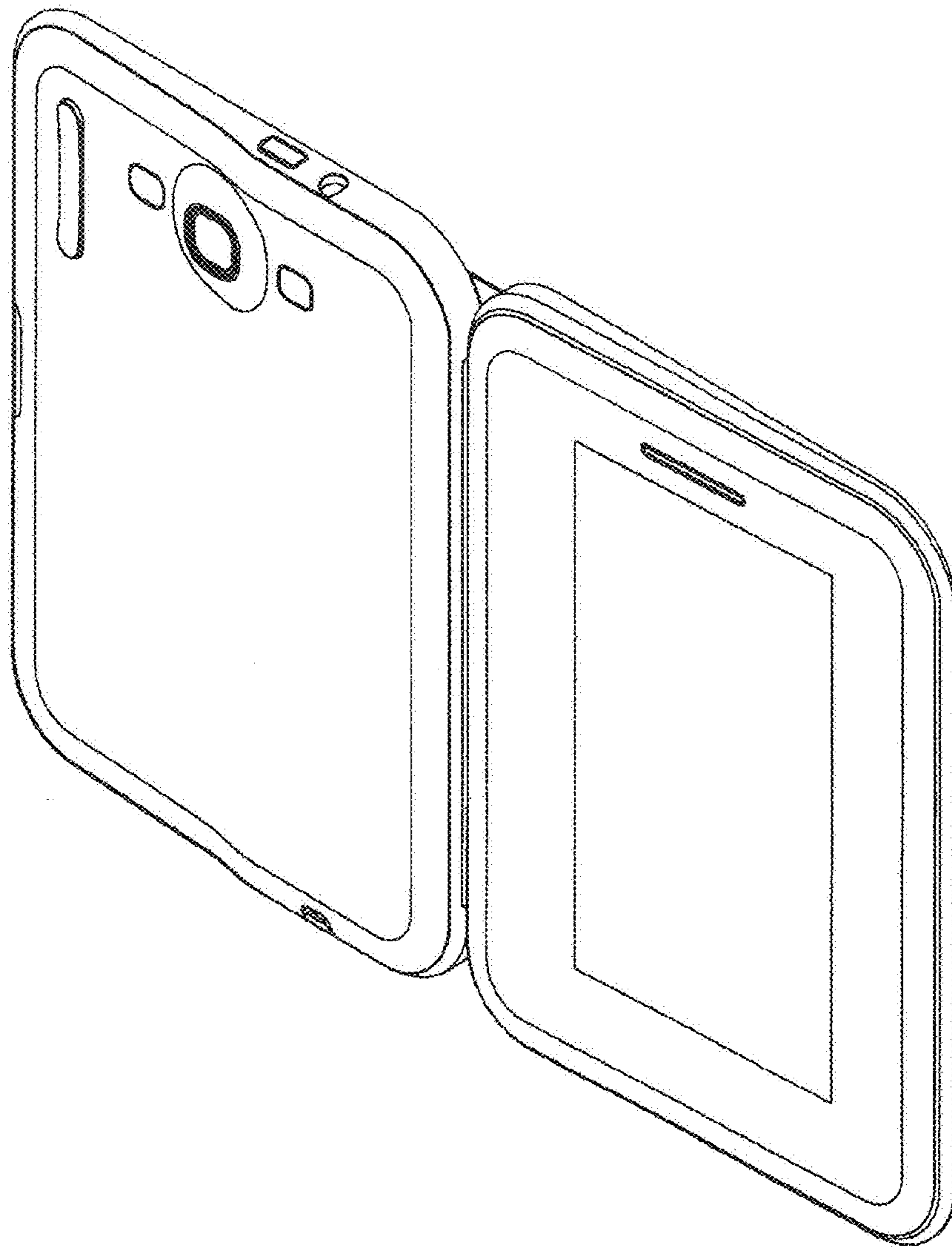


FIG. 2

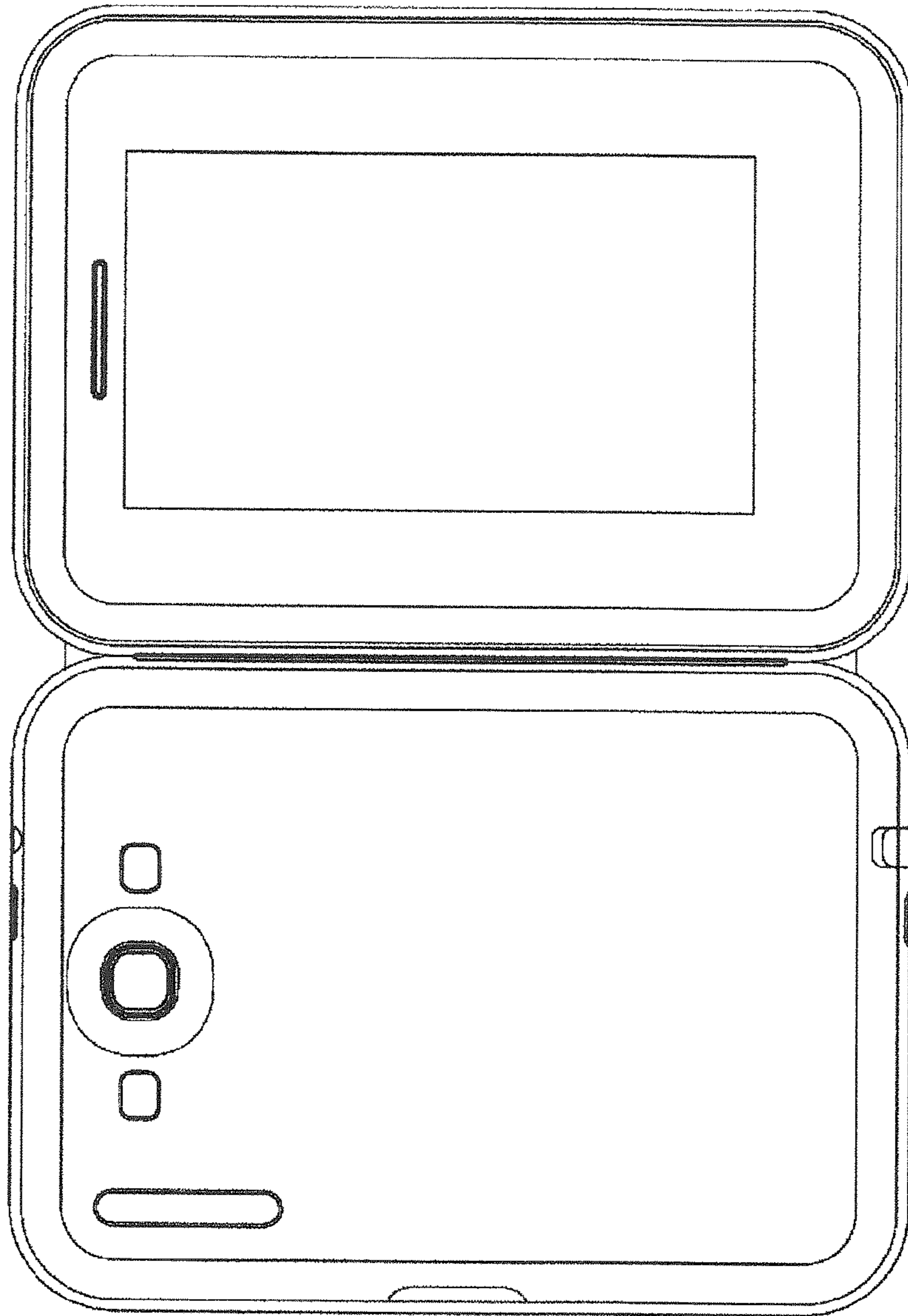


FIG. 3

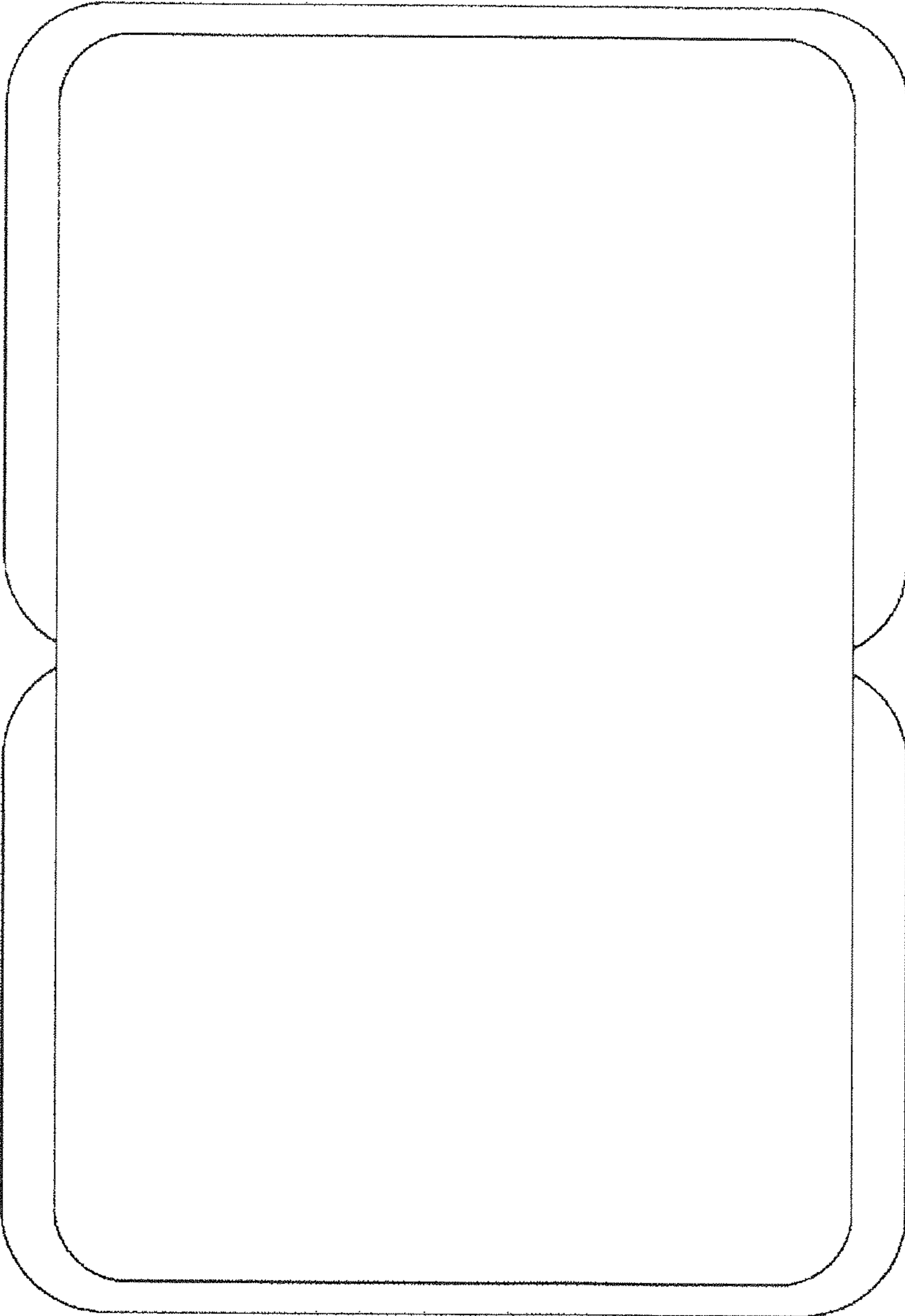


FIG. 4



FIG. 5

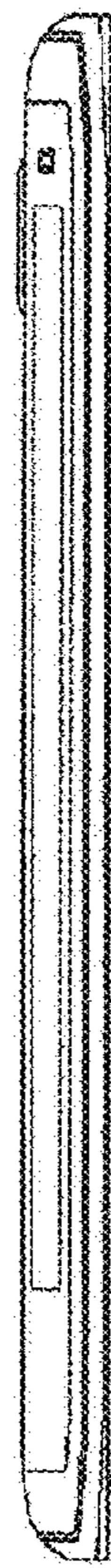


FIG. 6



FIG. 7



FIG. 8

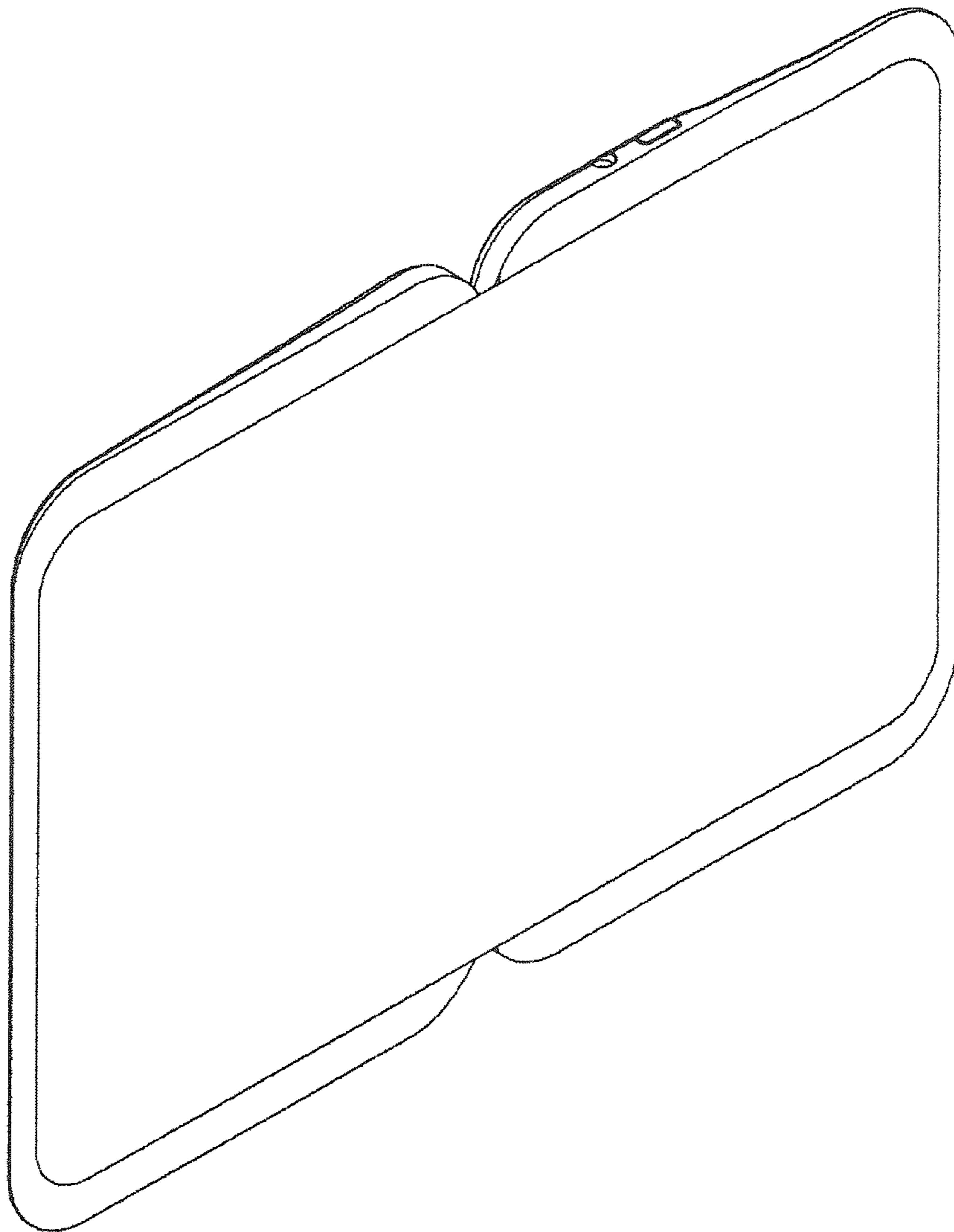




FIG. 9

