



US00D716794S

(12) **United States Design Patent**  
**Nagao et al.**

(10) **Patent No.:** **US D716,794 S**  
(45) **Date of Patent:** **\*\* Nov. 4, 2014**

(54) **PERSONAL COMPUTER**

(71) Applicant: **Fujitsu Limited**, Kawasaki (JP)

(72) Inventors: **Eiji Nagao**, Ichikawa (JP); **Hiroyuki Fujita**, Tokyo (JP); **Mark Friesen**, Tokyo (JP); **Nobuharu Tsusaka**, Kawasaki (JP); **Hisao Morooka**, Kawasaki (JP); **Toni Koberling**, München (DE)

(73) Assignee: **Fujitsu Limited**, Kawasaki (JP)

(\*\*) Term: **14 Years**

(21) Appl. No.: **29/453,947**

(22) Filed: **May 3, 2013**

(30) **Foreign Application Priority Data**

Nov. 6, 2012 (JP) ..... 2012-026973

(51) **LOC (10) Cl.** ..... **14-02**

(52) **U.S. Cl.**  
USPC ..... **D14/315**

(58) **Field of Classification Search**  
USPC ..... D14/315-327, 439; D18/1, 2, 7, 11;  
235/145 A, 145 R; 341/22, 23; 345/104,  
345/156, 168, 169, 173; 361/679.08,  
361/679.09, 679.11, 679.26, 679.27;  
16/367

See application file for complete search history.

(56) **References Cited**

U.S. PATENT DOCUMENTS

D504,683	S	*	5/2005	Kim et al.	.....	D14/315
D506,752	S	*	6/2005	Huh	.....	D14/316
D516,552	S	*	3/2006	Iseki	.....	D14/318
D558,753	S	*	1/2008	Andre et al.	.....	D14/315
2005/0041378	A1	*	2/2005	Hamada et al.	.....	361/680

\* cited by examiner

*Primary Examiner* — Freda S Nunn

(74) *Attorney, Agent, or Firm* — Staas & Halsey LLP

(57) **CLAIM**

The ornamental design for a personal computer, as shown and described.

**DESCRIPTION**

FIG. 1 is a perspective view of front, bottom and right side of a personal computer showing our new design;

FIG. 2 is a perspective view of rear, bottom and left side thereof;

FIG. 3 is a front view thereof;

FIG. 4 is a rear view thereof;

FIG. 5 is a left side view thereof;

FIG. 6 is a right side view thereof;

FIG. 7 is a top view thereof; and,

FIG. 8 is a bottom view thereof.

The broken lines shown are included for the purpose of illustrating the unclaimed portions of a personal computer and form no part of the claimed design.

**1 Claim, 6 Drawing Sheets**

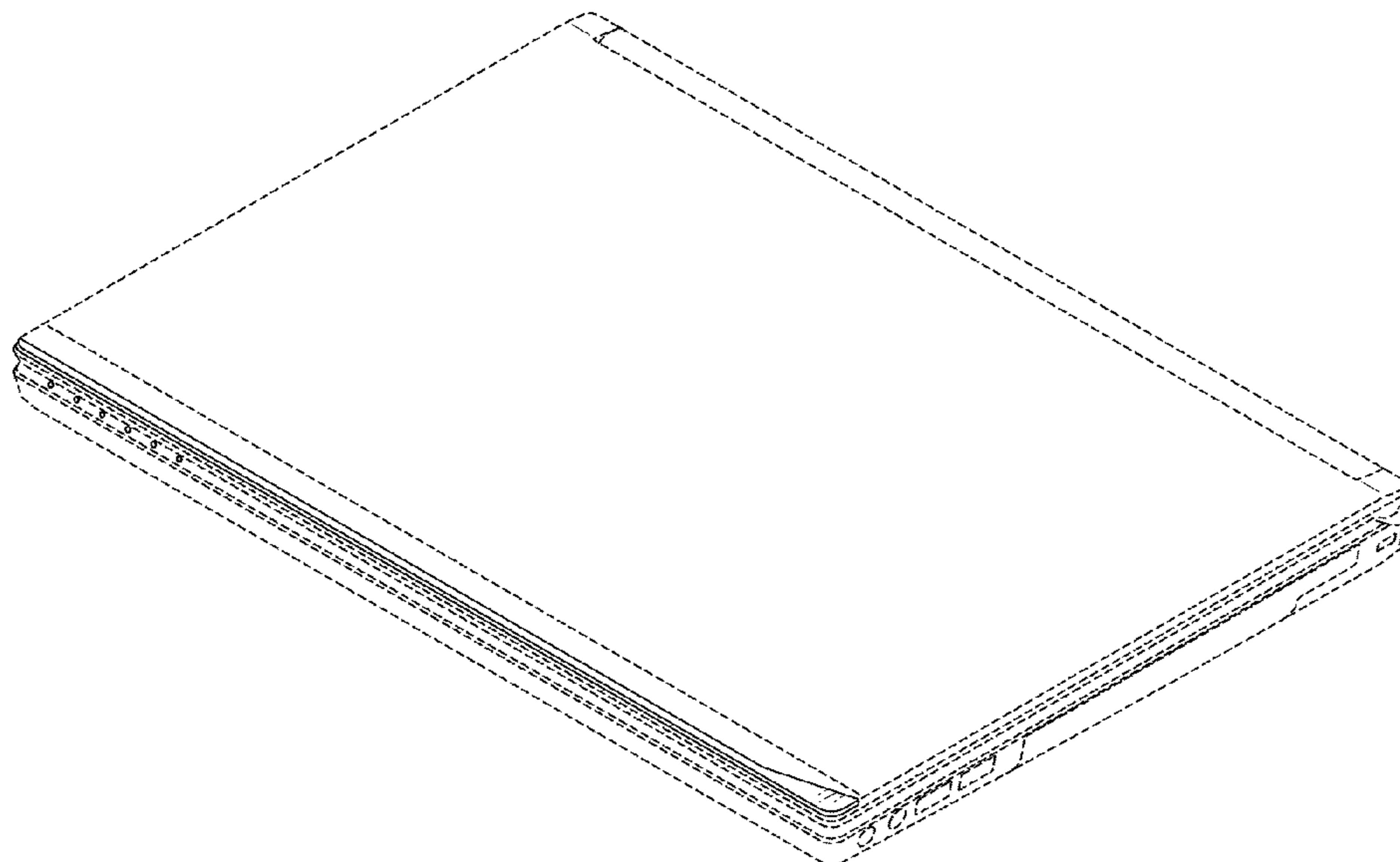


Fig. 1

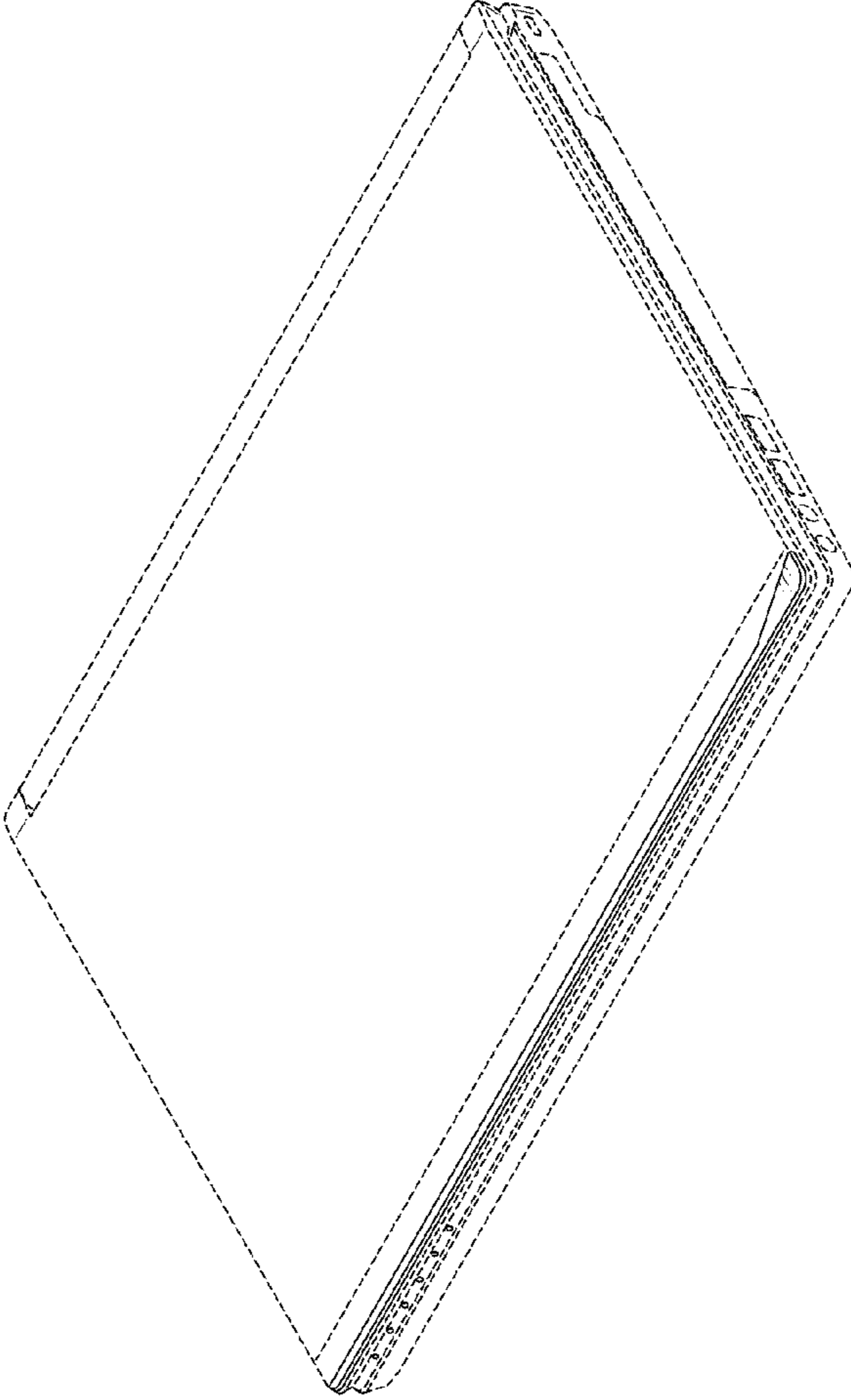


Fig. 2

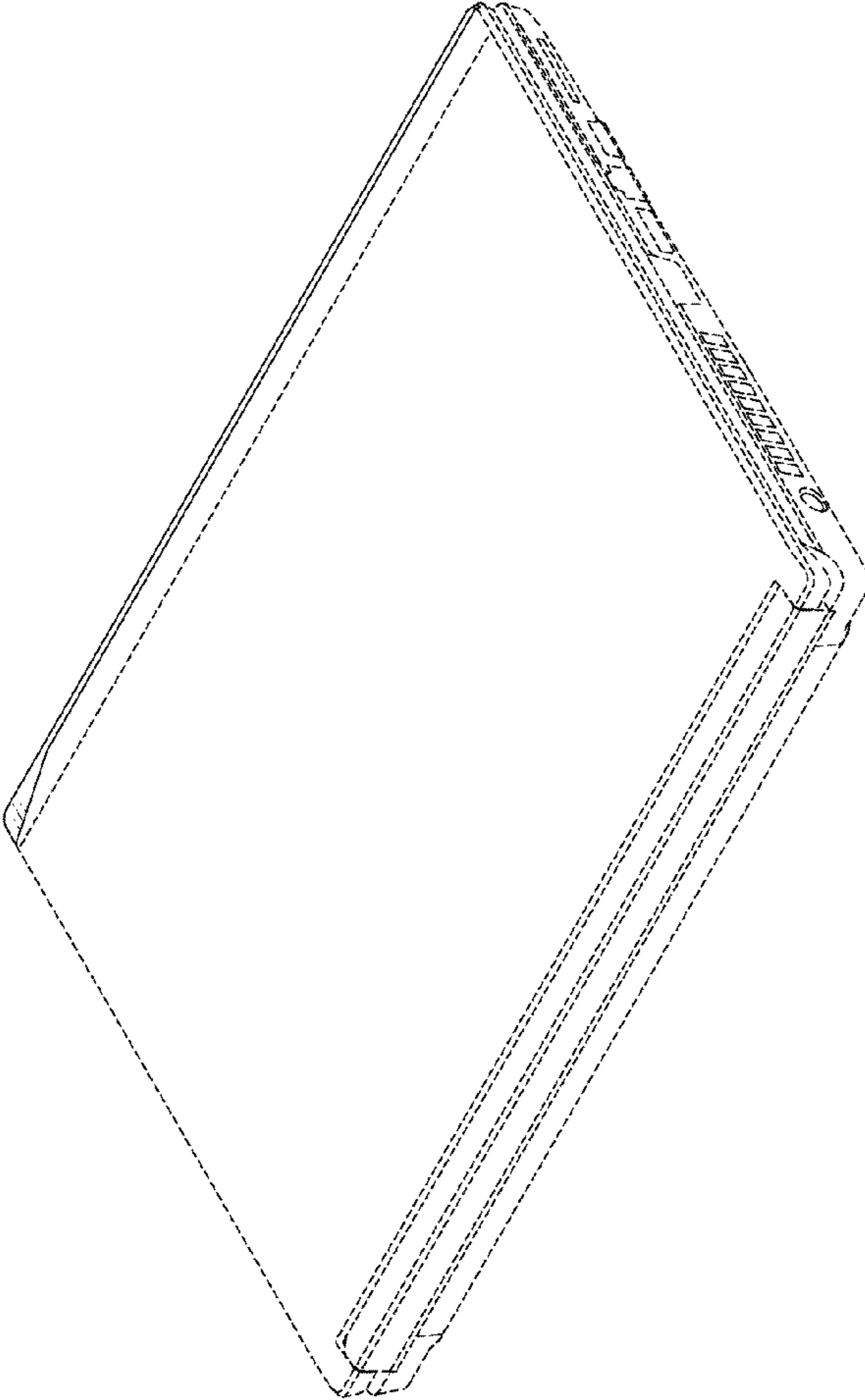


Fig. 3

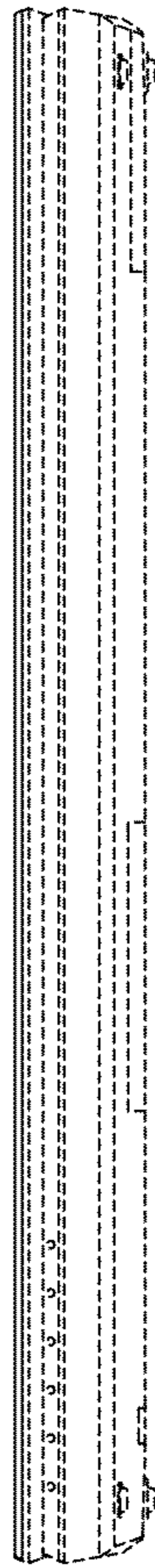


Fig. 4

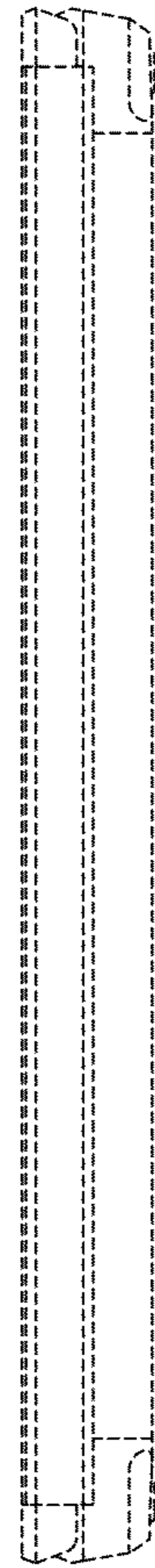


Fig. 5



Fig. 6

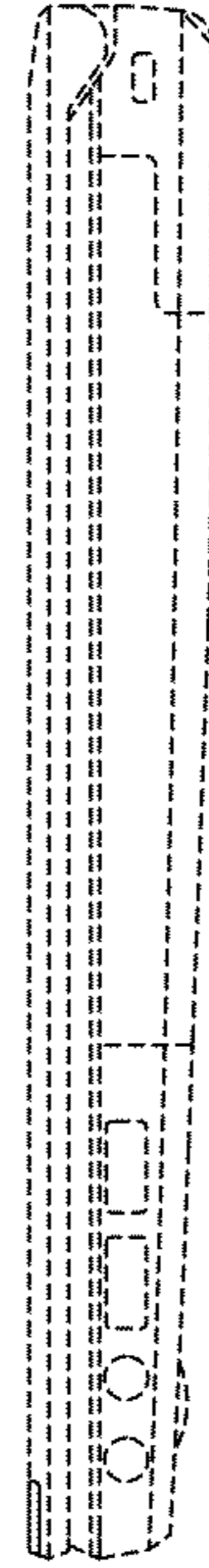


Fig. 7

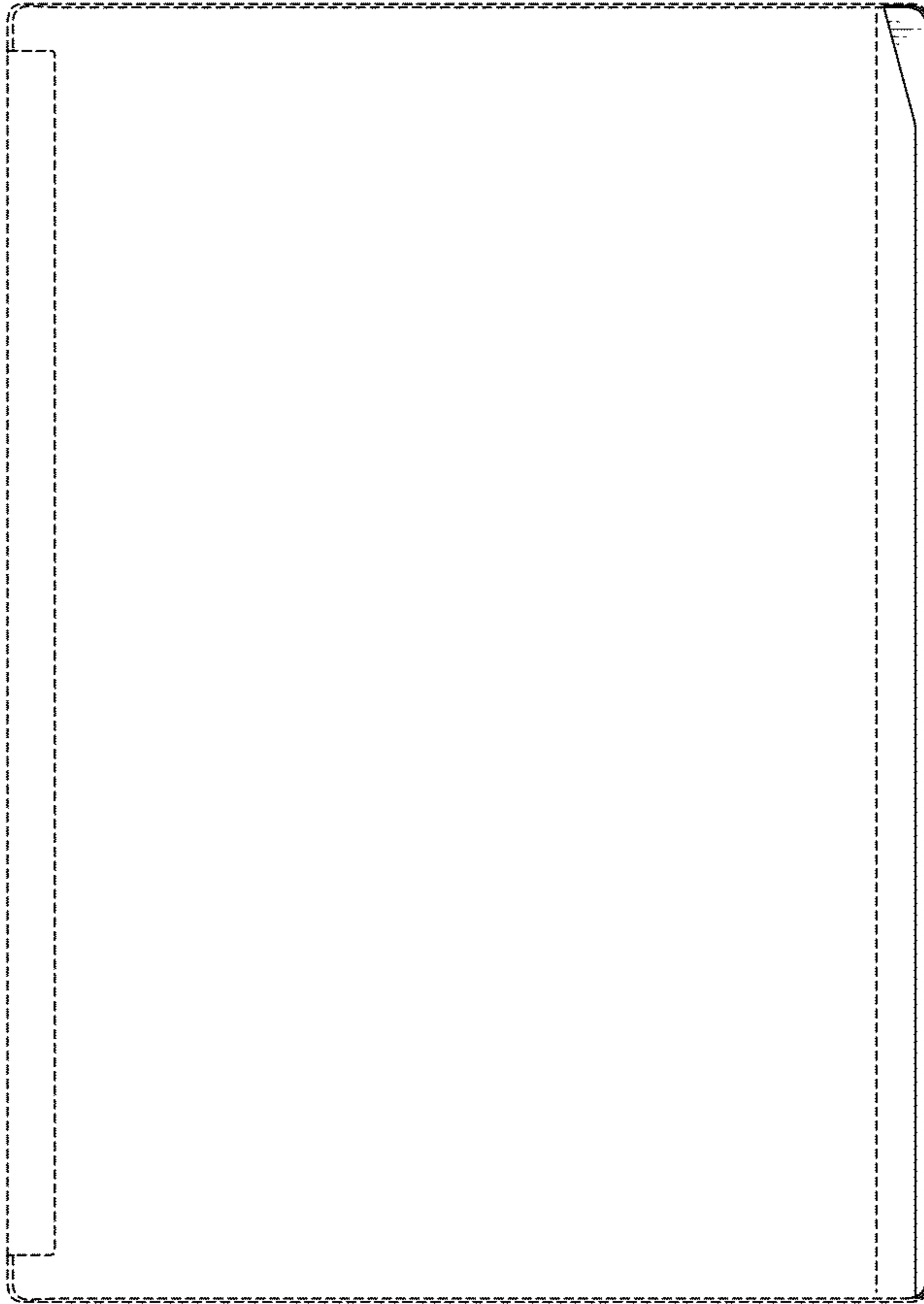


Fig. 8

