



US00D716793S

(12) **United States Design Patent**  
**Lee et al.**

(10) **Patent No.:** **US D716,793 S**  
(45) **Date of Patent:** **\*\* Nov. 4, 2014**

(54) **NOTEBOOK COMPUTER**

(71) Applicant: **Samsung Electronics Co., Ltd.**,  
Suwon-si (KR)

(72) Inventors: **Dong-Seok Lee**, Seoul (KR); **Ik-Sang Kim**, Seoul (KR); **Sang-Won Yoon**, Seoul (KR)

(73) Assignee: **Samsung Electronics Co., Ltd.**,  
Suwon-si (KR)

(\*\*) Term: **14 Years**

(21) Appl. No.: **29/453,620**

(22) Filed: **May 1, 2013**

(30) **Foreign Application Priority Data**

Nov. 2, 2012 (KR) ..... 30-2012-0052390

(51) **LOC (10) Cl.** ..... **14-02**

(52) **U.S. Cl.**  
USPC ..... **D14/315; D14/316**

(58) **Field of Classification Search**  
USPC ..... D14/315-327, 331; D18/1, 2, 7, 11;  
235/145 A, 145 R; 341/22, 23; 345/104,  
345/156, 168, 169, 173; 361/679.08,  
361/679.09, 679.11, 679.26, 679.27;  
379/433.12; 16/341, 367

See application file for complete search history.

(56) **References Cited**

**U.S. PATENT DOCUMENTS**

5,900,848 A \* 5/1999 Haneda et al. .... 345/1.1  
D519,500 S \* 4/2006 Maskatia et al. .... D14/318

D606,535 S \* 12/2009 Morooka et al. .... D14/316  
D621,827 S \* 8/2010 Cheng et al. .... D14/327  
D649,543 S \* 11/2011 Tseng et al. .... D14/315  
2005/0063145 A1 \* 3/2005 Homer et al. .... 361/683

\* cited by examiner

*Primary Examiner* — Freda S Nunn

(74) *Attorney, Agent, or Firm* — NSIP Law

(57) **CLAIM**

The ornamental design for a notebook computer, as shown and described.

**DESCRIPTION**

FIG. 1 is a perspective view of a notebook computer, showing our new design;

FIG. 2 is a front view thereof;

FIG. 3 is a rear view thereof;

FIG. 4 is a left-side view thereof;

FIG. 5 is a right-side view thereof;

FIG. 6 is a top plan view thereof;

FIG. 7 is a bottom plan view thereof;

FIG. 8 is a top-front perspective view of a notebook computer of FIG. 1, in which a display part of the notebook computer rotates on a hinge; and,

FIG. 9 is another top-front perspective view of a notebook computer of FIG. 1, in which a display part of the notebook computer rotates on a hinge.

The broken line is for environmental purposes only and forms no part of the claimed design. The shade lines in the figures show contour and not surface ornamentation. The diagonal shading lines in FIGS. 1, 6, 8, and 9 represent a reflective surface.

**1 Claim, 7 Drawing Sheets**

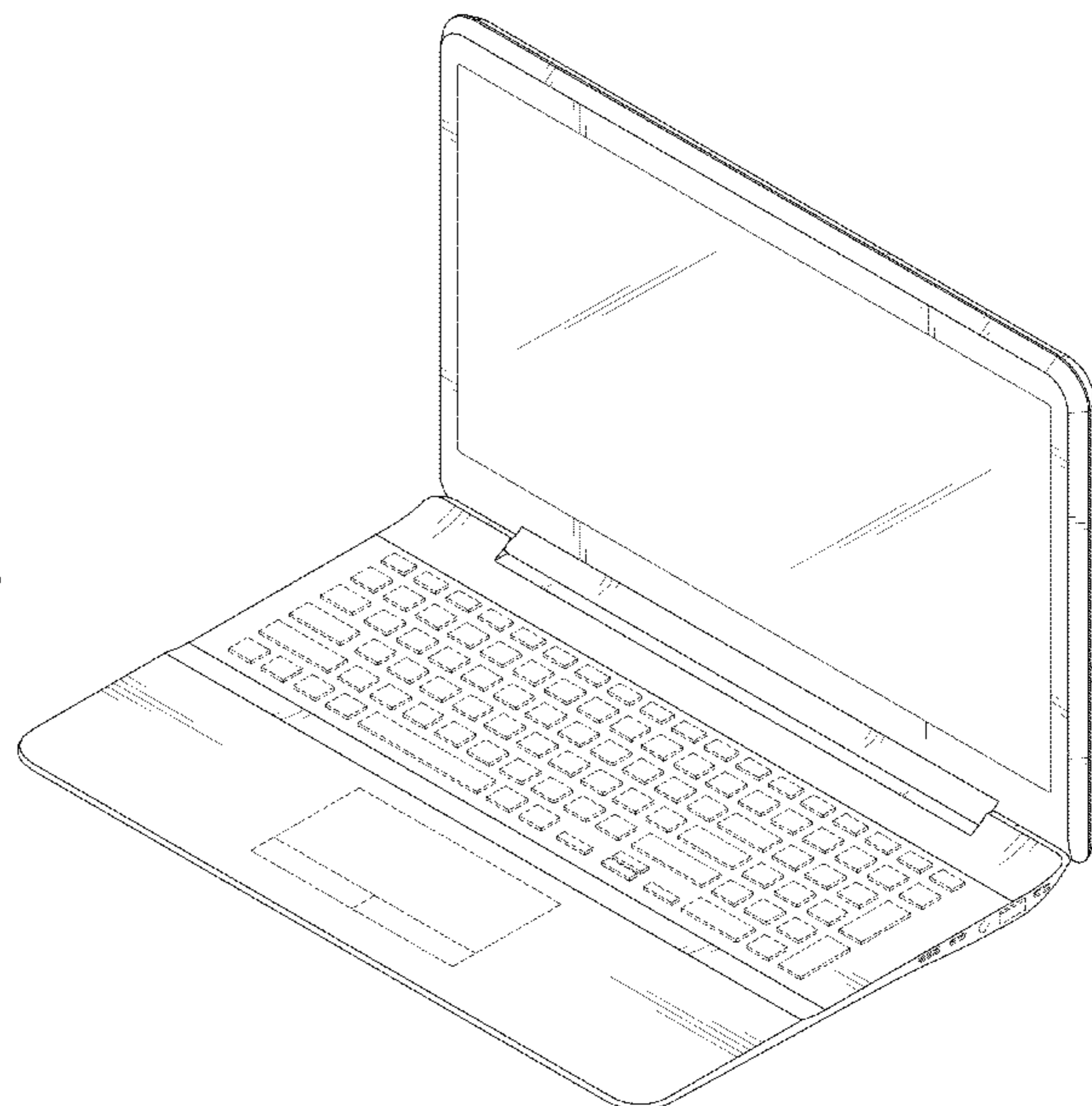
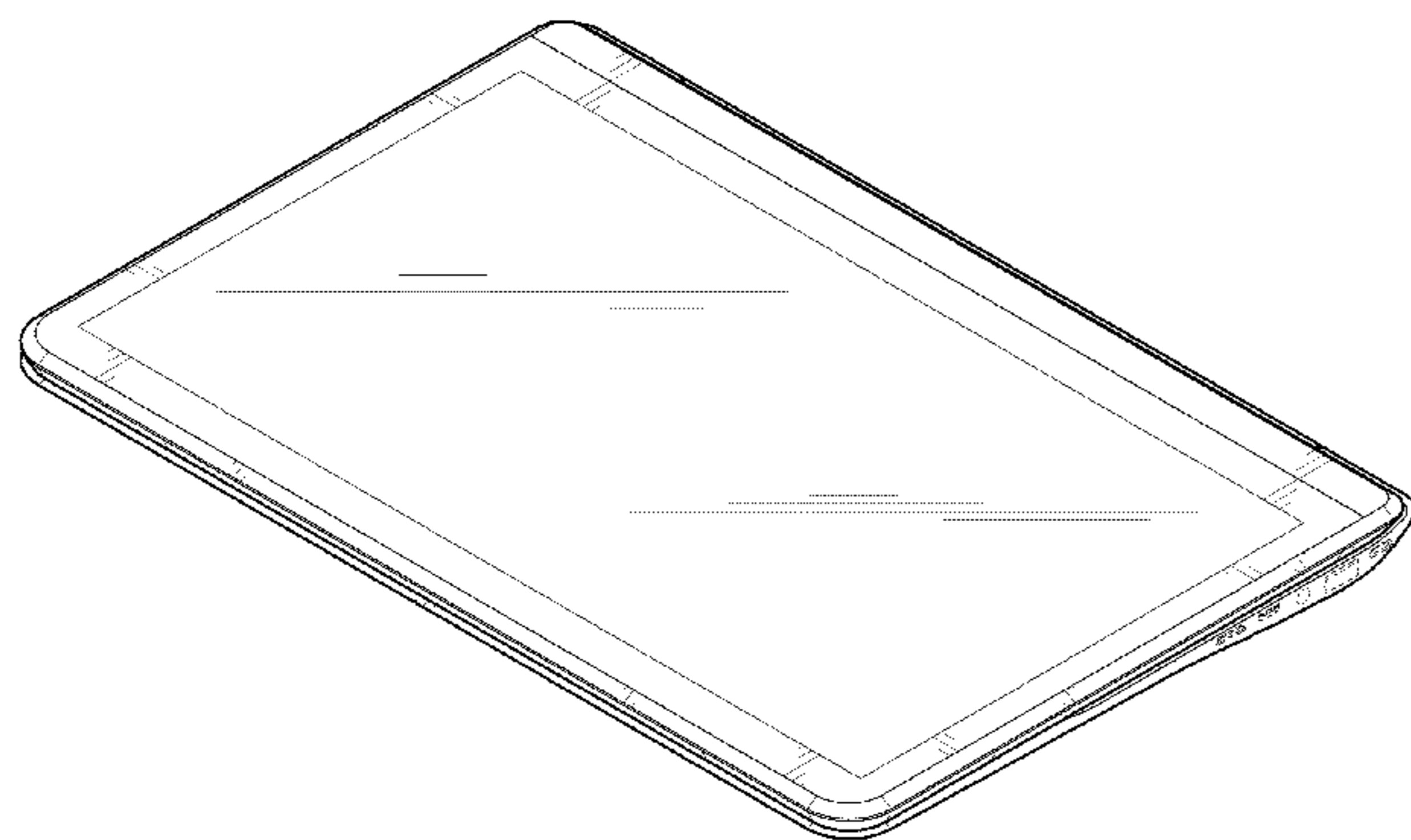


FIG. 1

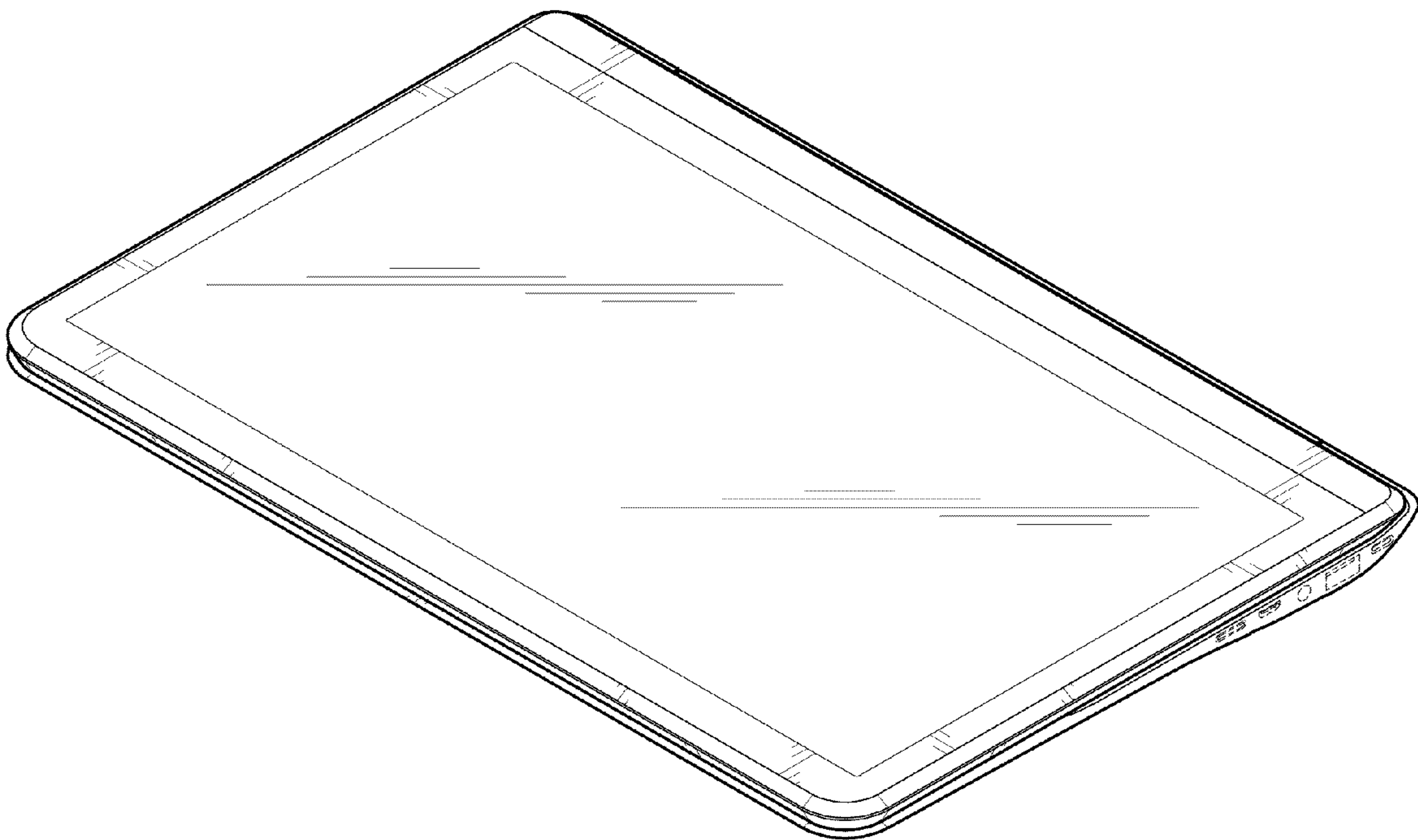


FIG. 2



FIG. 3

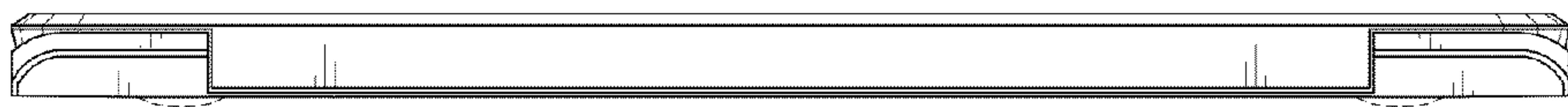


FIG. 4

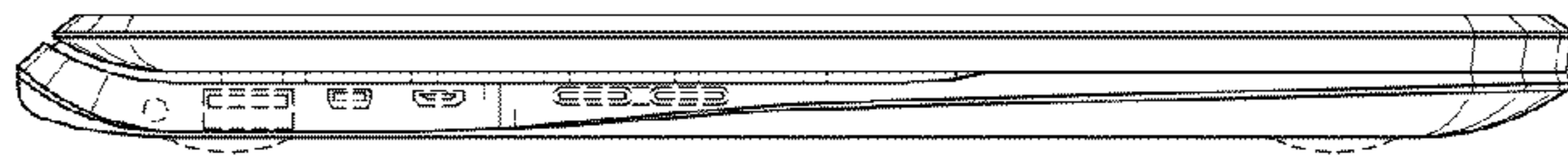


FIG. 5

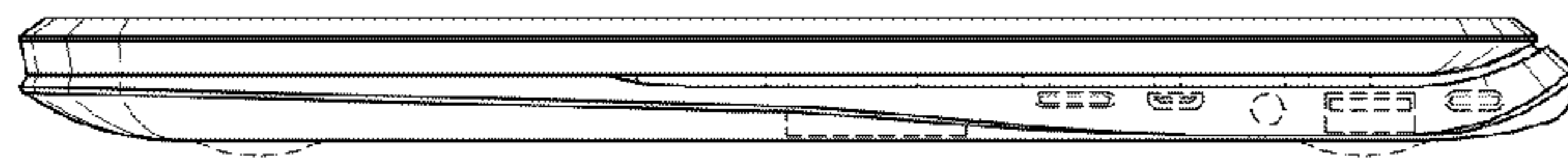


FIG. 6

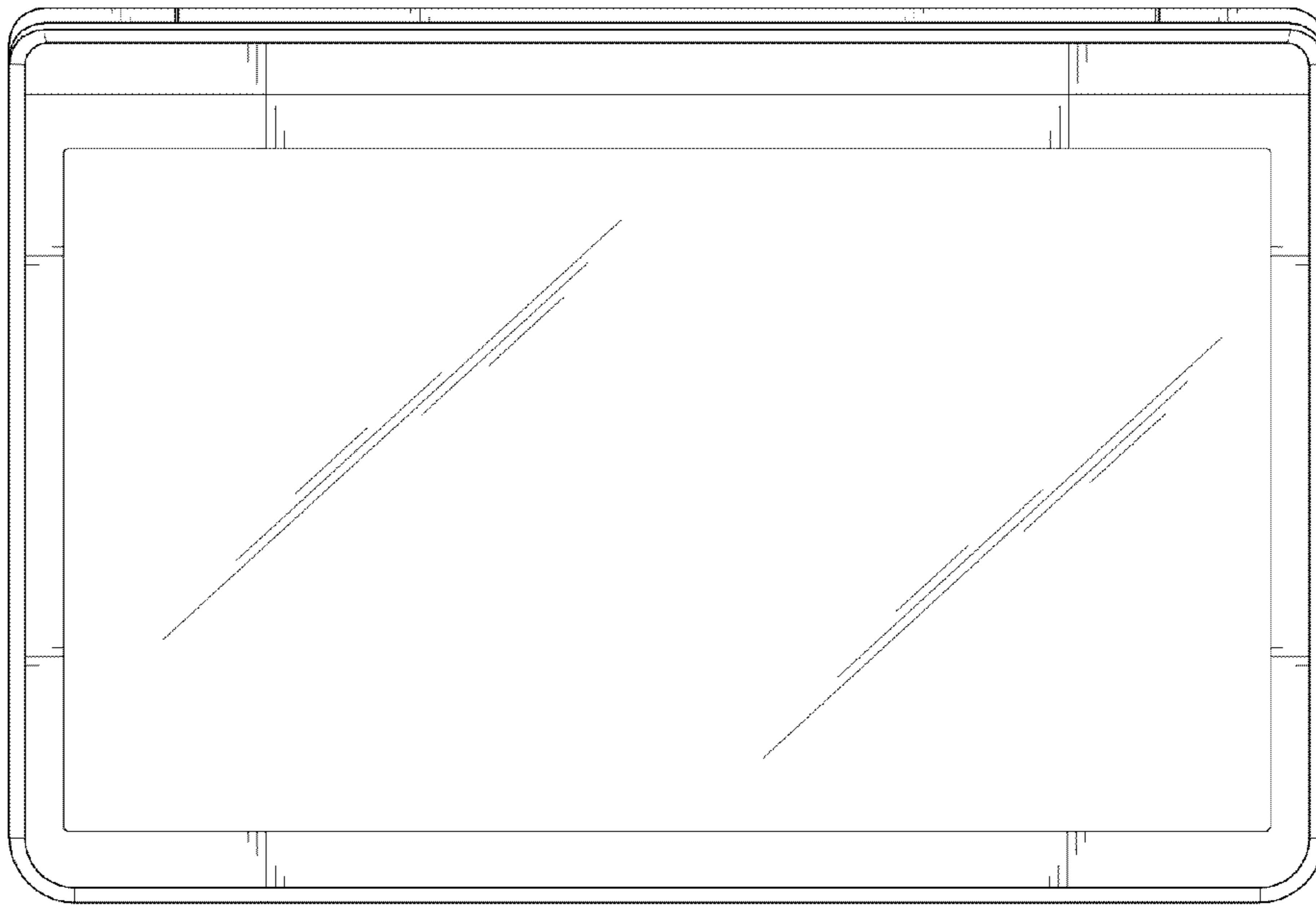


FIG. 7

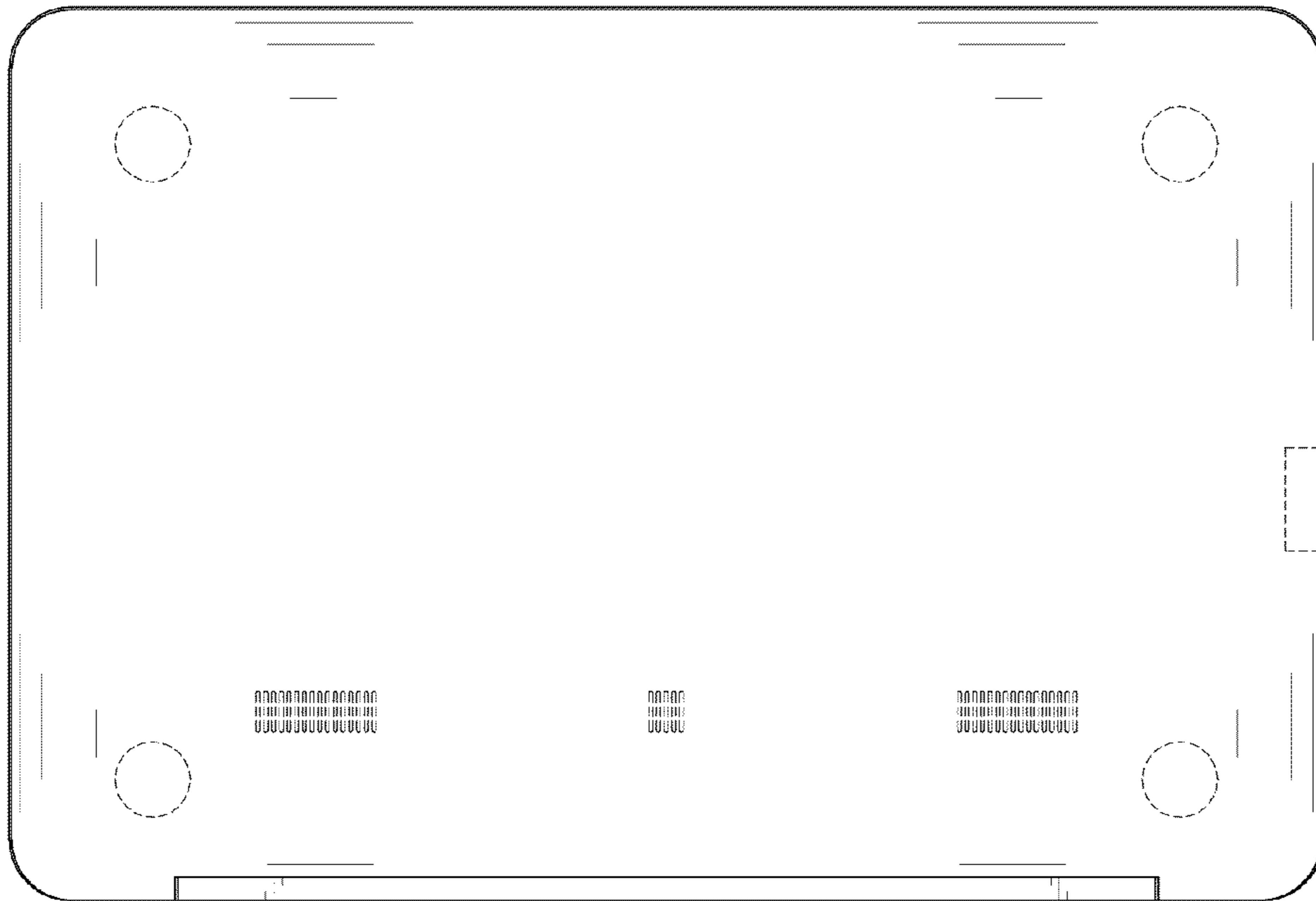


FIG. 8

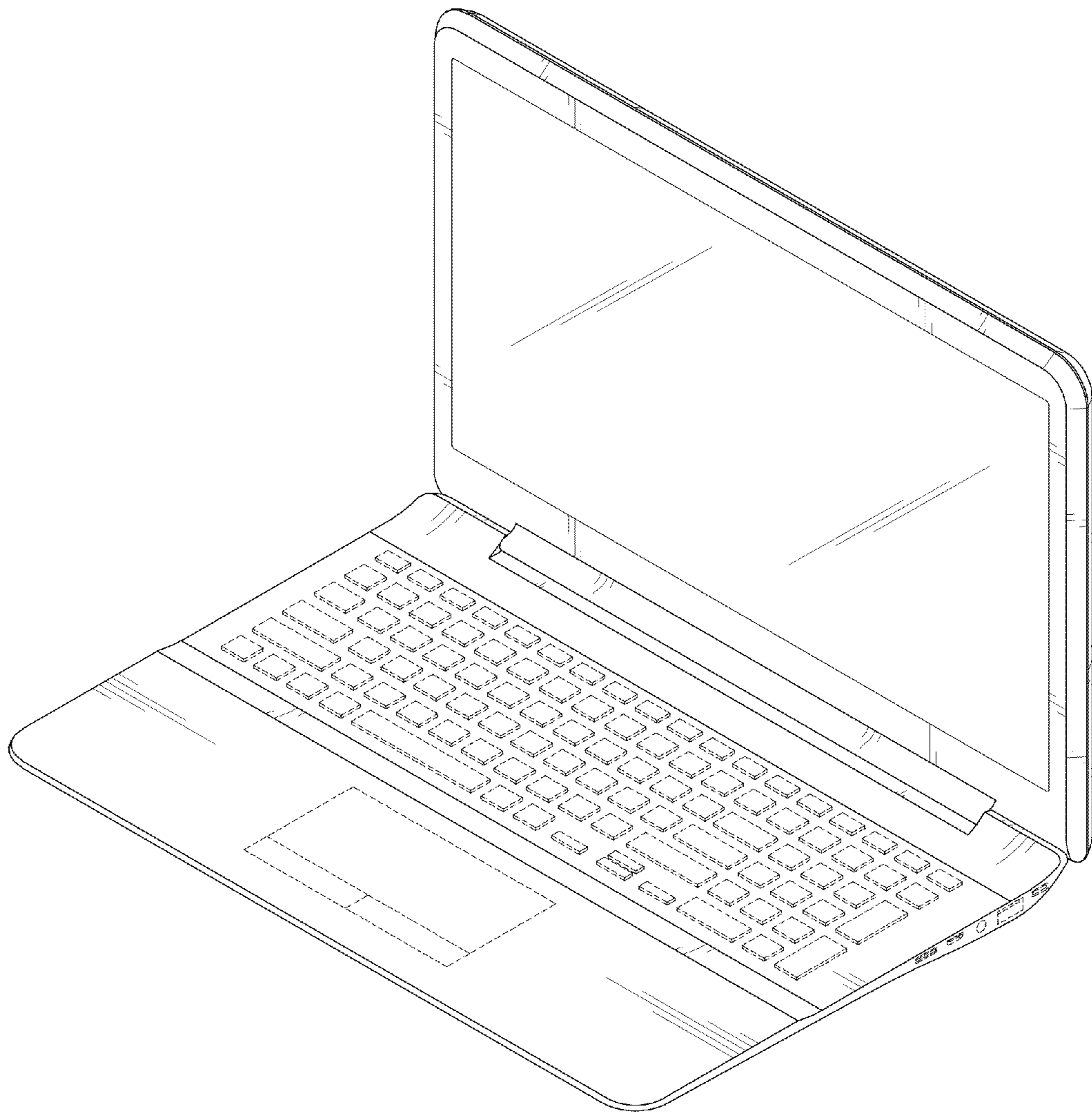


FIG. 9

