



US00D716792S

(12) **United States Design Patent**
Raymonde Looze

(10) **Patent No.:** **US D716,792 S**
(45) **Date of Patent:** **** Nov. 4, 2014**

- (54) **SERVICE COUNTER**
- (71) Applicant: **Evans Consoles Corporation**, Calgary (CA)
- (72) Inventor: **Marie Claire Raymonde Looze**, Rotterdam (NL)
- (73) Assignee: **Evans Consoles Corporation**, Calgary (CA)
- (**) Term: **14 Years**
- (21) Appl. No.: **29/469,229**
- (22) Filed: **Oct. 8, 2013**
- (51) **LOC (10) Cl.** **14-02**
- (52) **U.S. Cl.**
USPC **D14/307**
- (58) **Field of Classification Search**
CPC G06Q 20/18; G06Q 20/10; G06Q 20/123; G06Q 20/20; G06Q 30/02; G06Q 30/06; A47F 9/047
USPC D14/302-307, 900-902; D13/163; D20/10; D21/332, 325, 369, 370; D99/28; D6/397, 466; 194/206; 361/679.01, 679.02, 679.04, 679.21, 361/679.57, 725
See application file for complete search history.

- D696,658 S * 12/2013 Winston et al. D14/307
- D699,238 S * 2/2014 Smith et al. D14/307
- D702,676 S * 4/2014 Smith et al. D14/307
- D705,213 S * 5/2014 Smith et al. D14/307
- D707,674 S * 6/2014 Daniel D14/307

* cited by examiner

Primary Examiner — Austin Murphy

(74) *Attorney, Agent, or Firm* — Notaro, Michalos & Zaccaria P.C.

(57) **CLAIM**

The ornamental design for a service counter, as shown and described.

DESCRIPTION

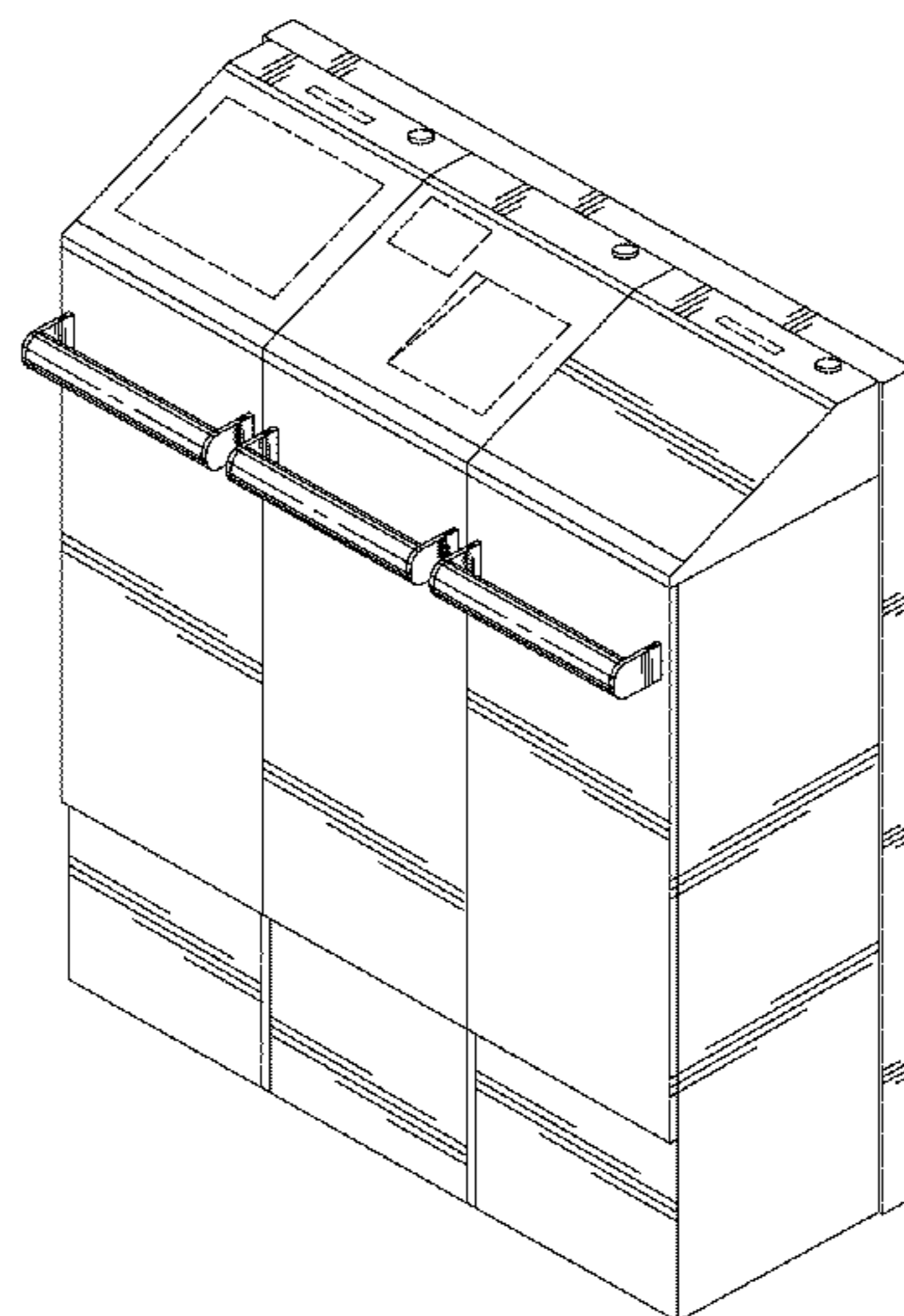
FIG. 1 is a top, left perspective view of a service counter showing my new design therefor;
 FIG. 2 is a top plan view thereof;
 FIG. 3 is a front elevational view thereof;
 FIG. 4 is a rear elevational view thereof;
 FIG. 5 is a right side elevational view thereof;
 FIG. 6 is a left side elevational view thereof;
 FIG. 7 is a view similar to FIG. 1 showing environmental features;
 FIG. 8 is a top plan view thereof;
 FIG. 9 is a front elevational view thereof;
 FIG. 10 is a rear elevational view thereof;
 FIG. 11 is a right side elevational view thereof;
 FIG. 12 is a left side elevational view thereof;
 FIG. 13 is a view similar to FIG. 1 showing another embodiment of the invention;
 FIG. 14 is a top plan view thereof;
 FIG. 15 is a front elevational view thereof;
 FIG. 16 is a rear elevational view thereof;
 FIG. 17 is a right side elevational view thereof; and,
 FIG. 18 is a left side elevational view thereof.
 Throughout the drawings, the broken lines depict environment and form no part of the design.

1 Claim, 15 Drawing Sheets

(56) **References Cited**

U.S. PATENT DOCUMENTS

- D552,875 S * 10/2007 Collins et al. D6/396
- D579,686 S * 11/2008 Collins et al. D6/396
- D605,191 S * 12/2009 Kuroda et al. D14/307
- D628,742 S * 12/2010 Hsu D28/9
- D661,293 S * 6/2012 Kuroda et al. D14/307
- D675,607 S * 2/2013 Ono D14/307
- D676,038 S * 2/2013 Masuda et al. D14/307
- D695,285 S * 12/2013 Smith et al. D14/307



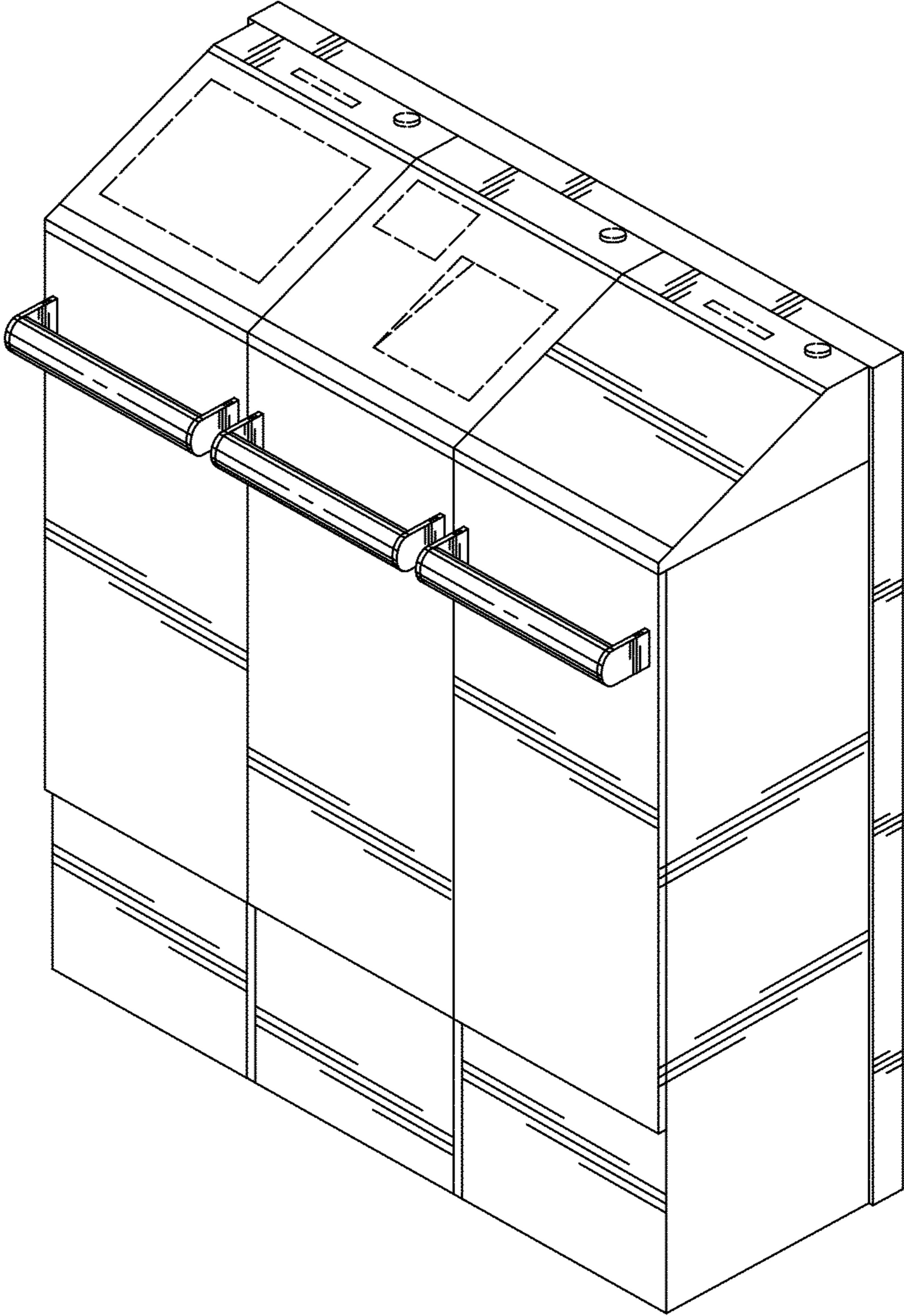


FIG. 1

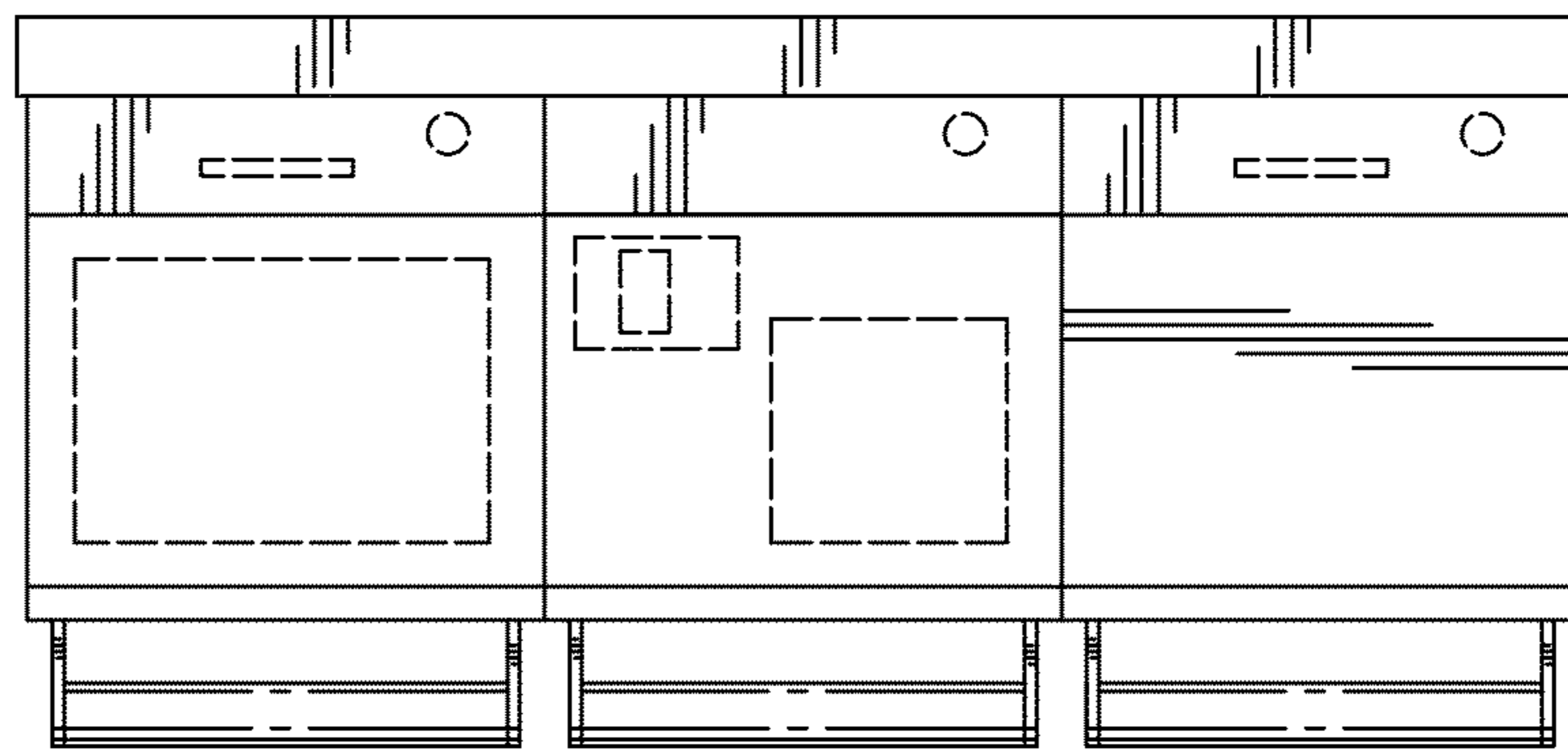


FIG. 2

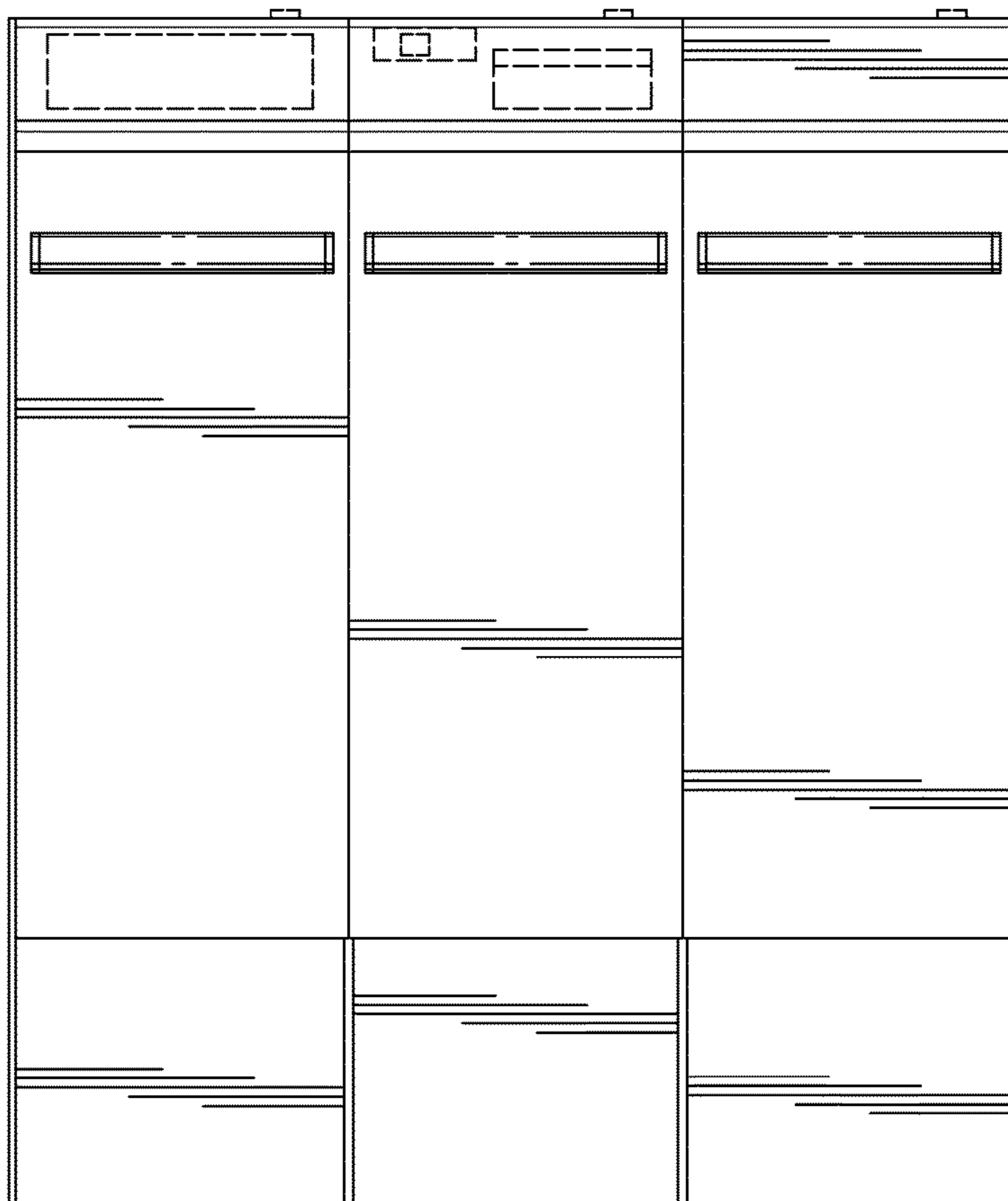


FIG. 3

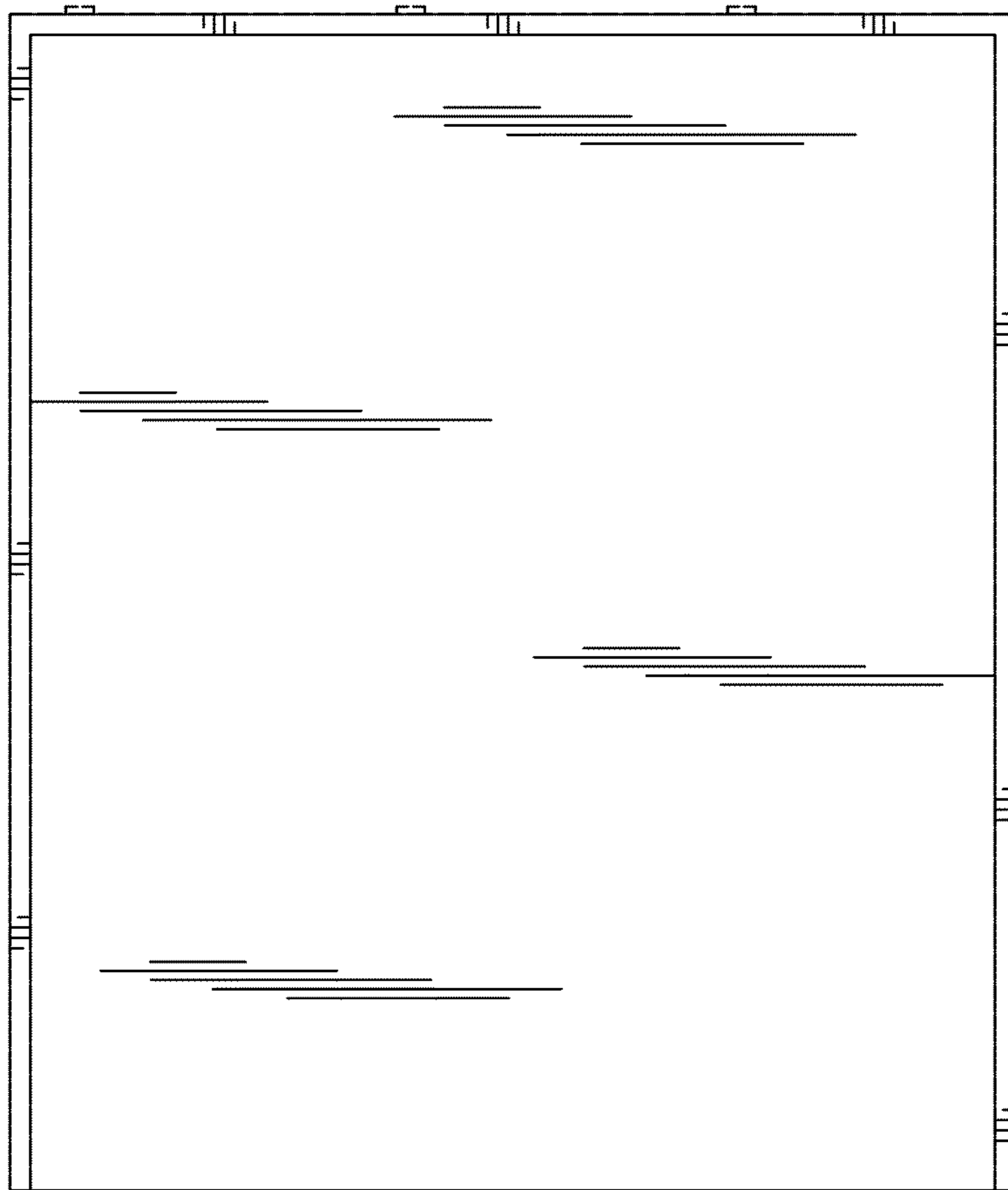


FIG. 4

FIG. 5

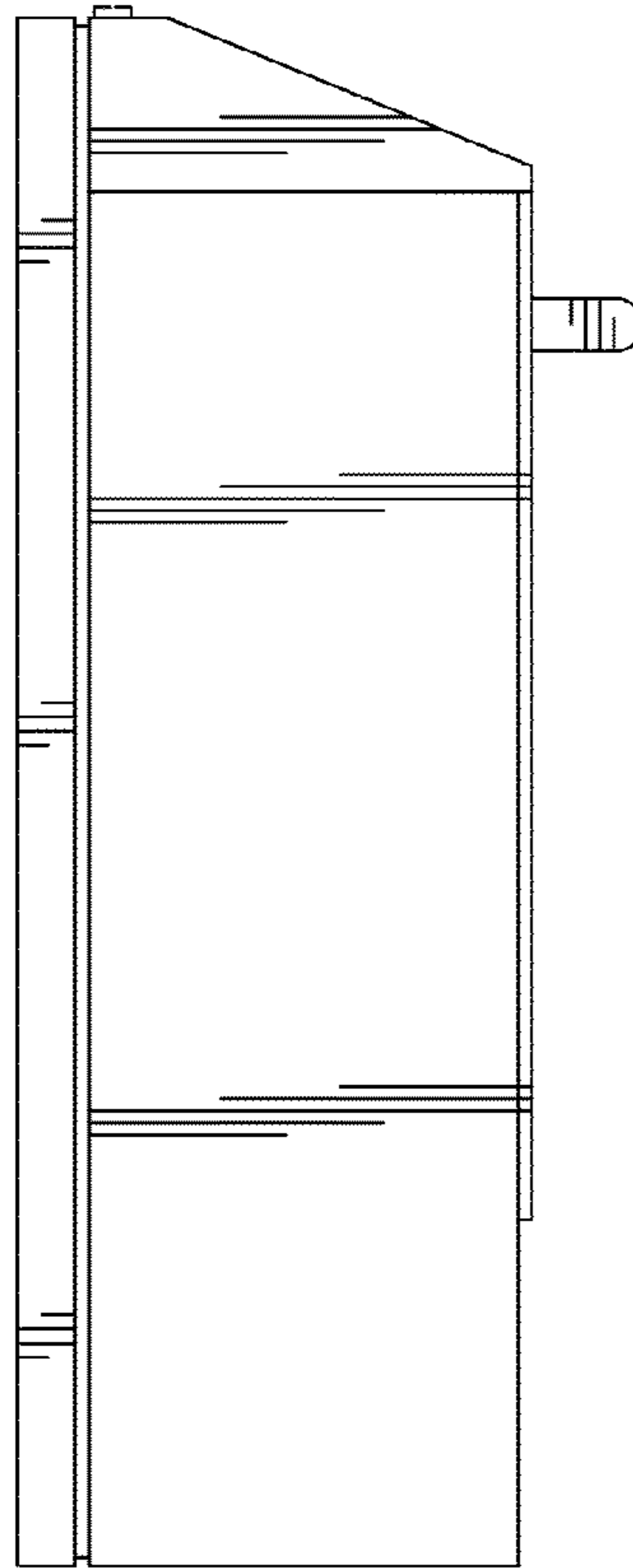
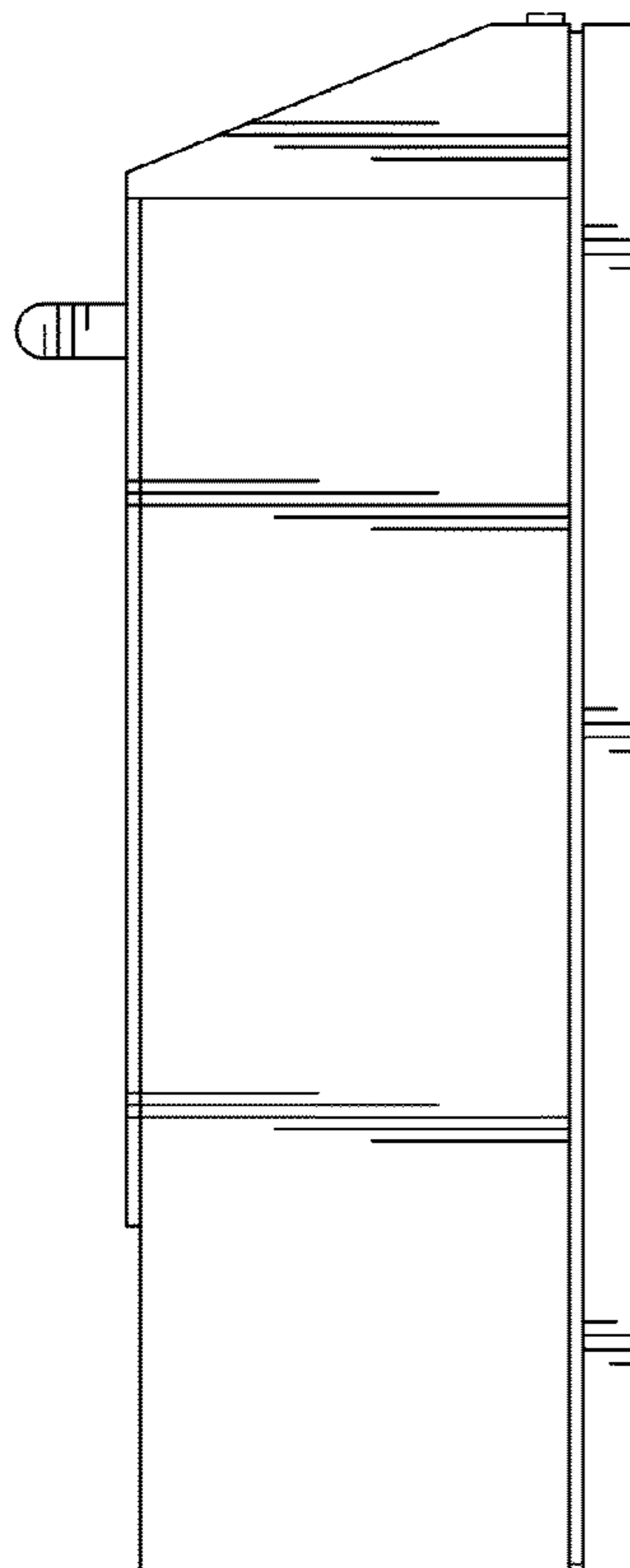


FIG. 6



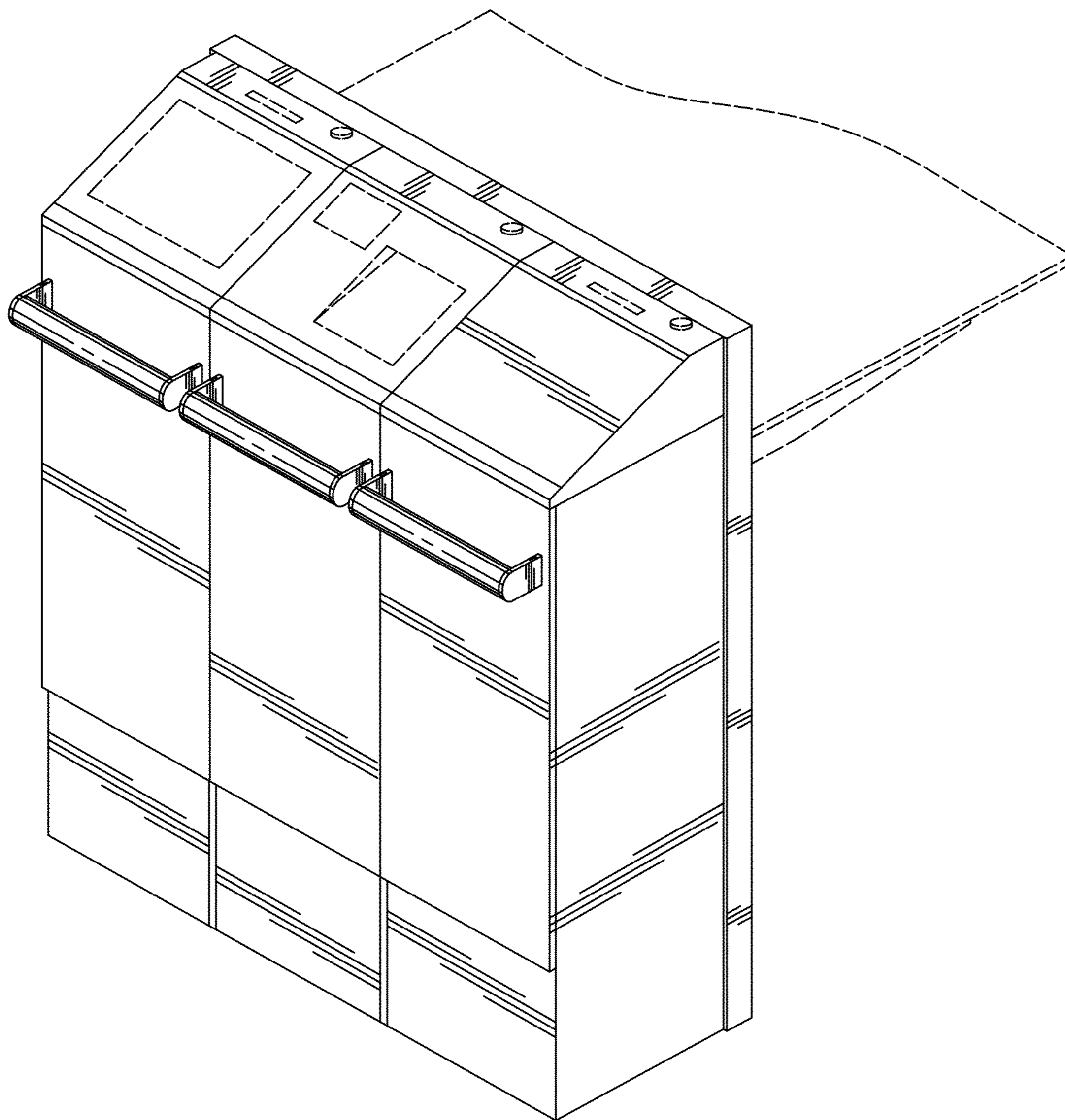


FIG. 7

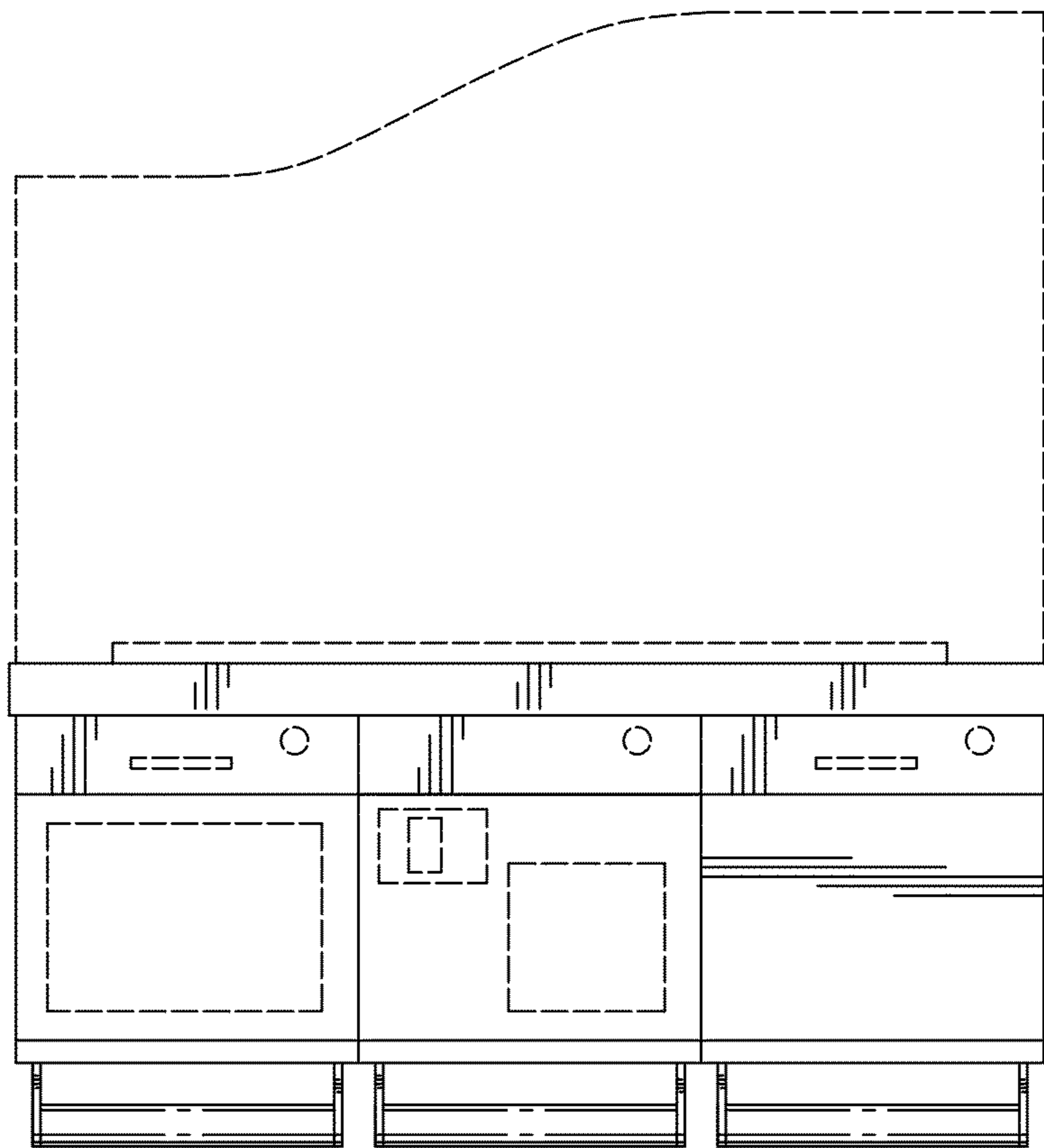


FIG. 8

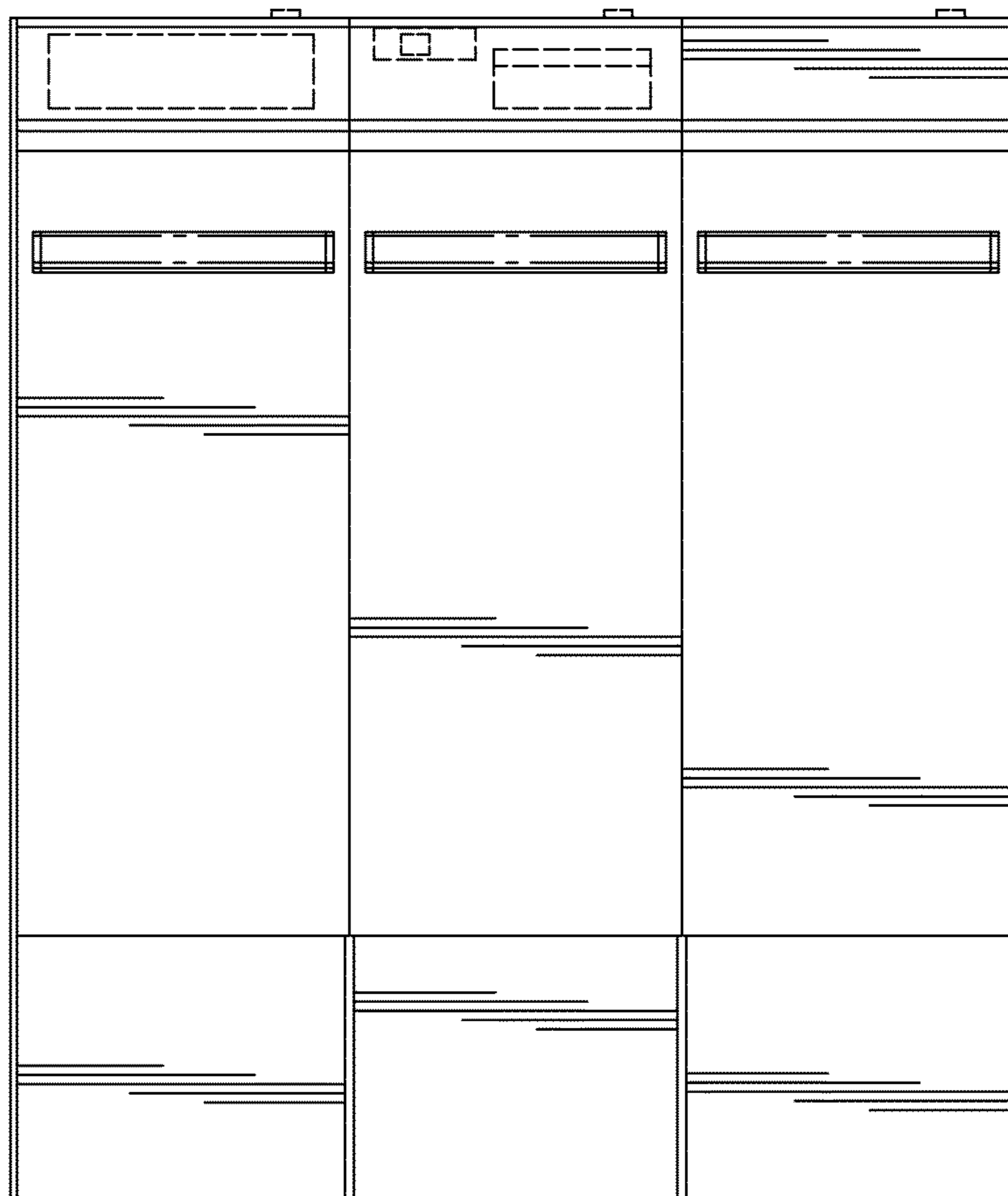


FIG. 9

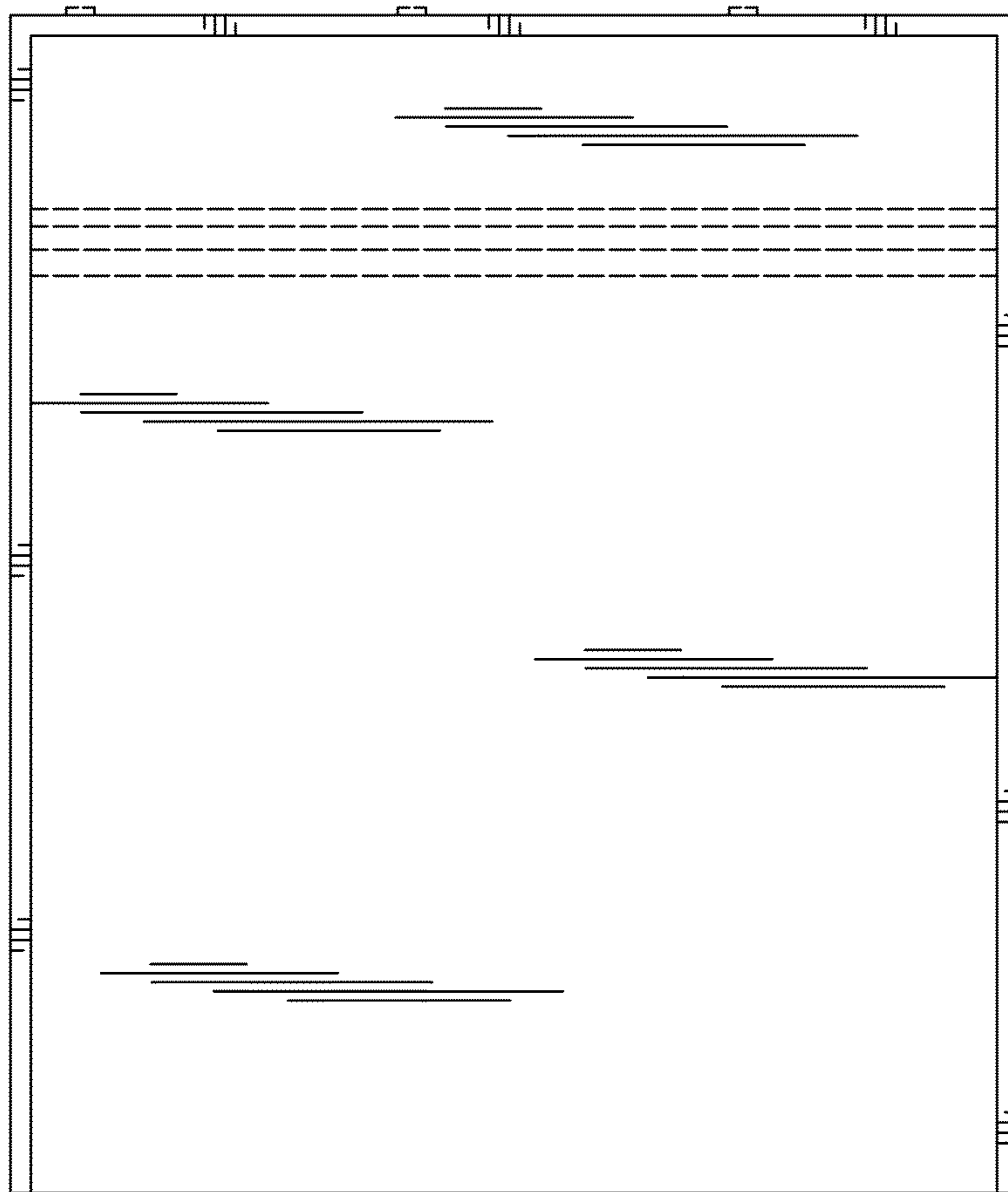


FIG. 10

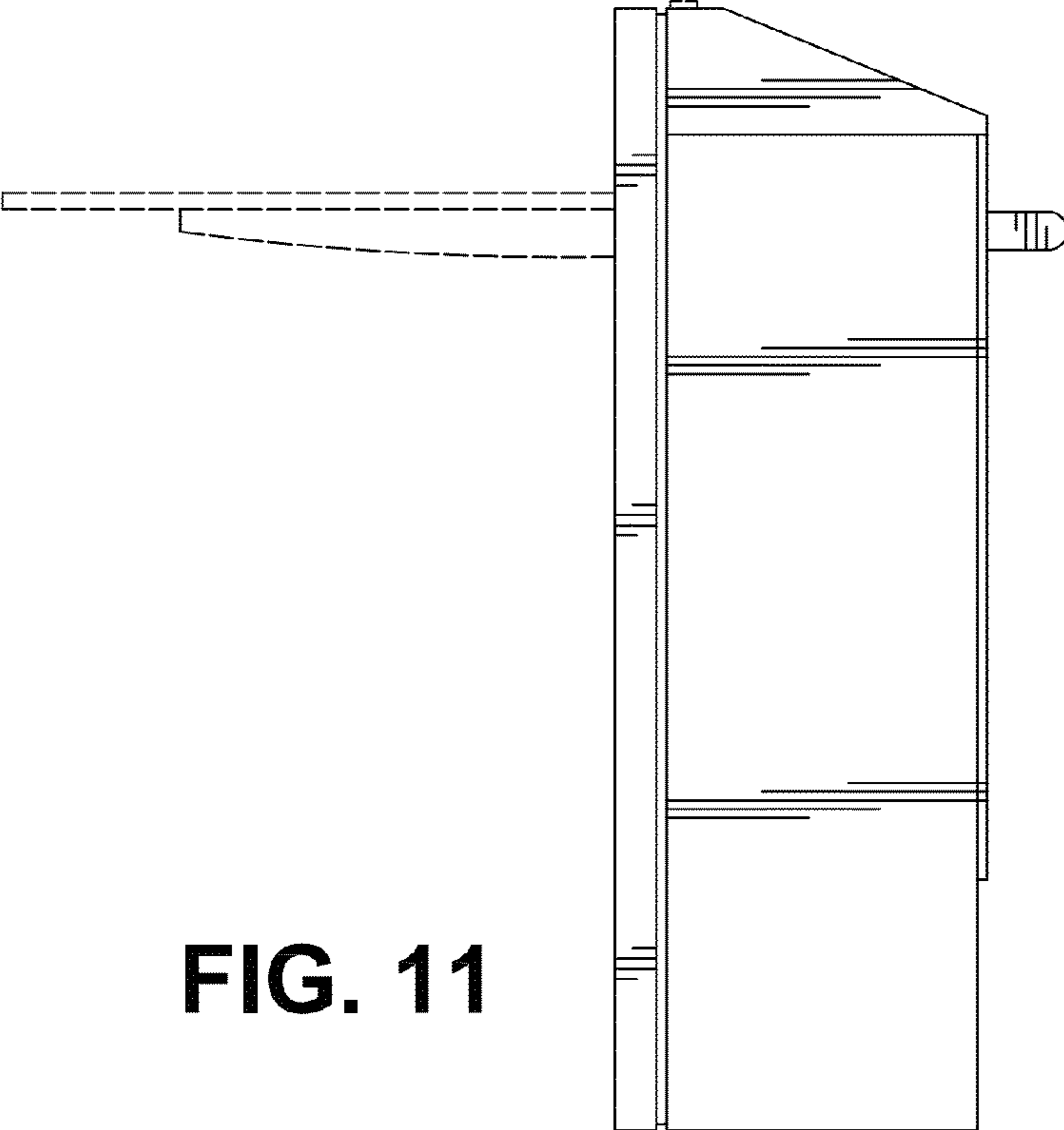


FIG. 11

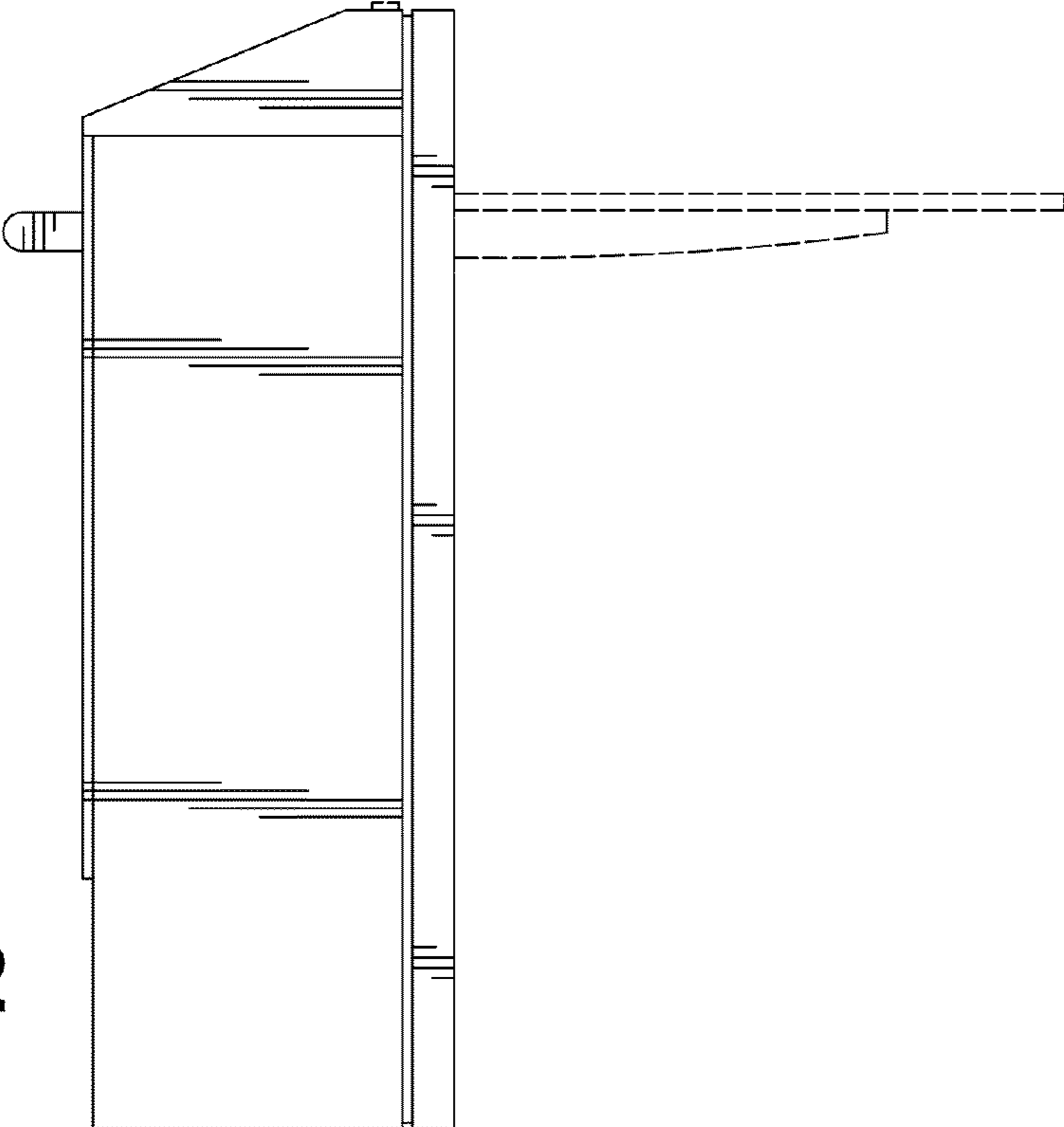


FIG. 12

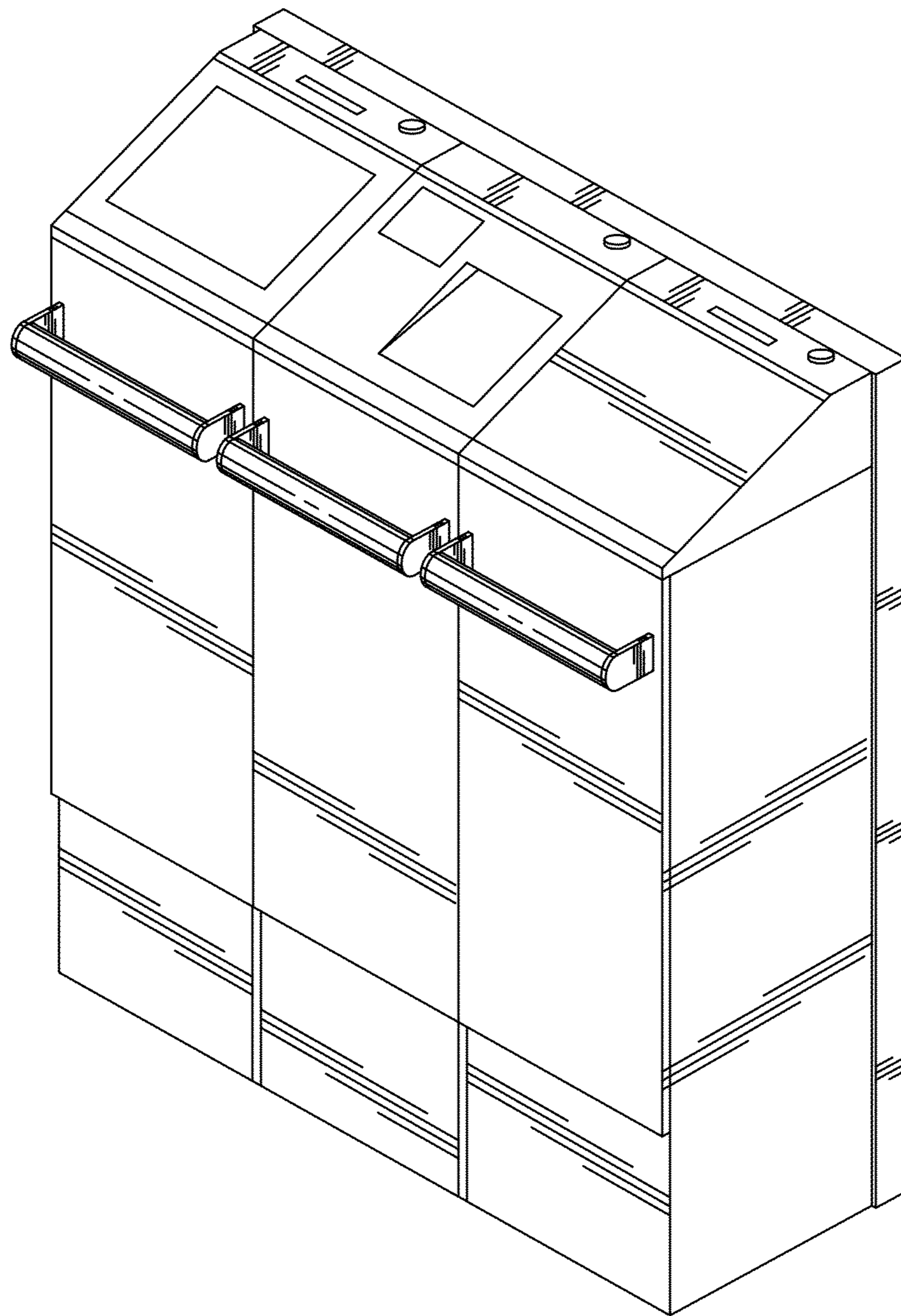


FIG. 13

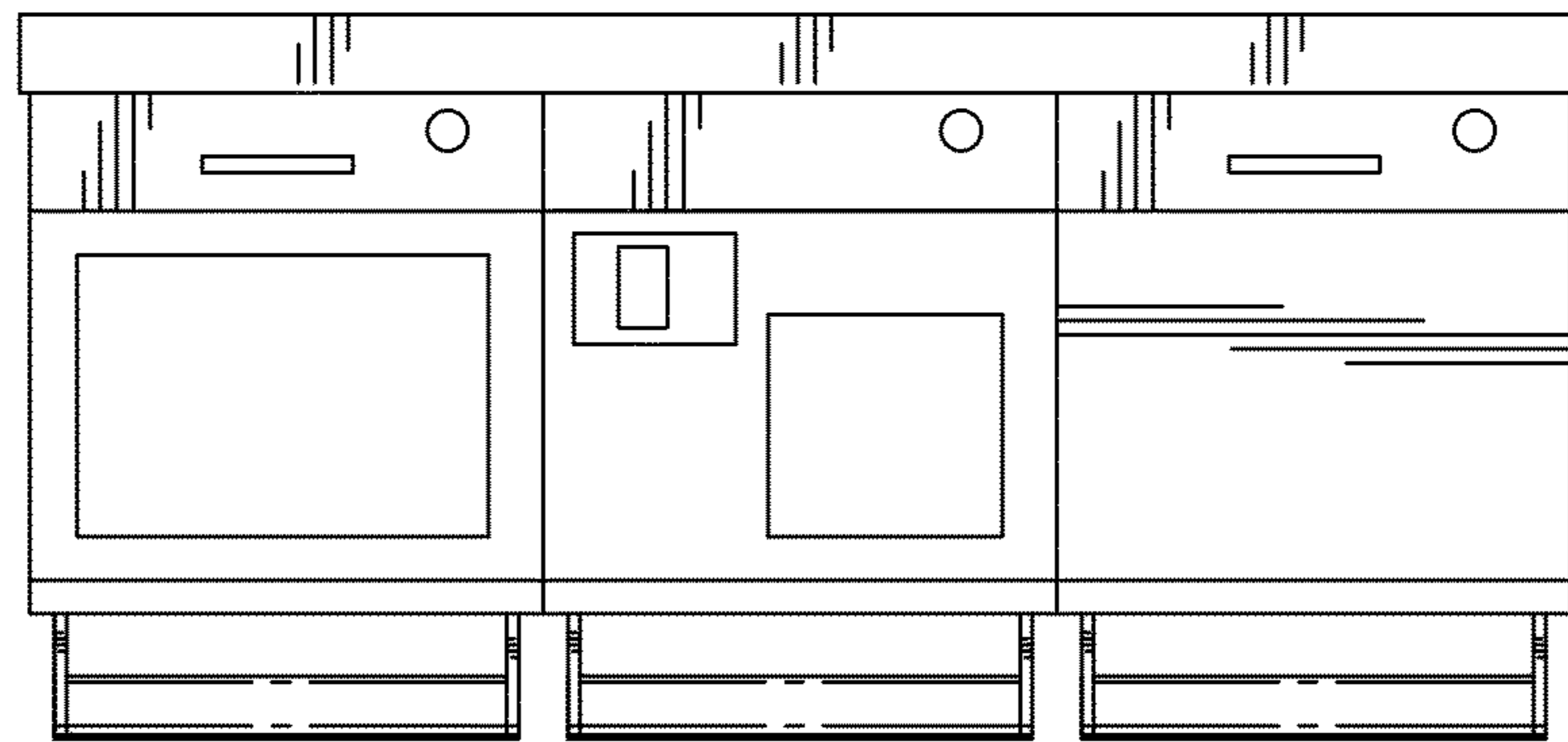


FIG. 14

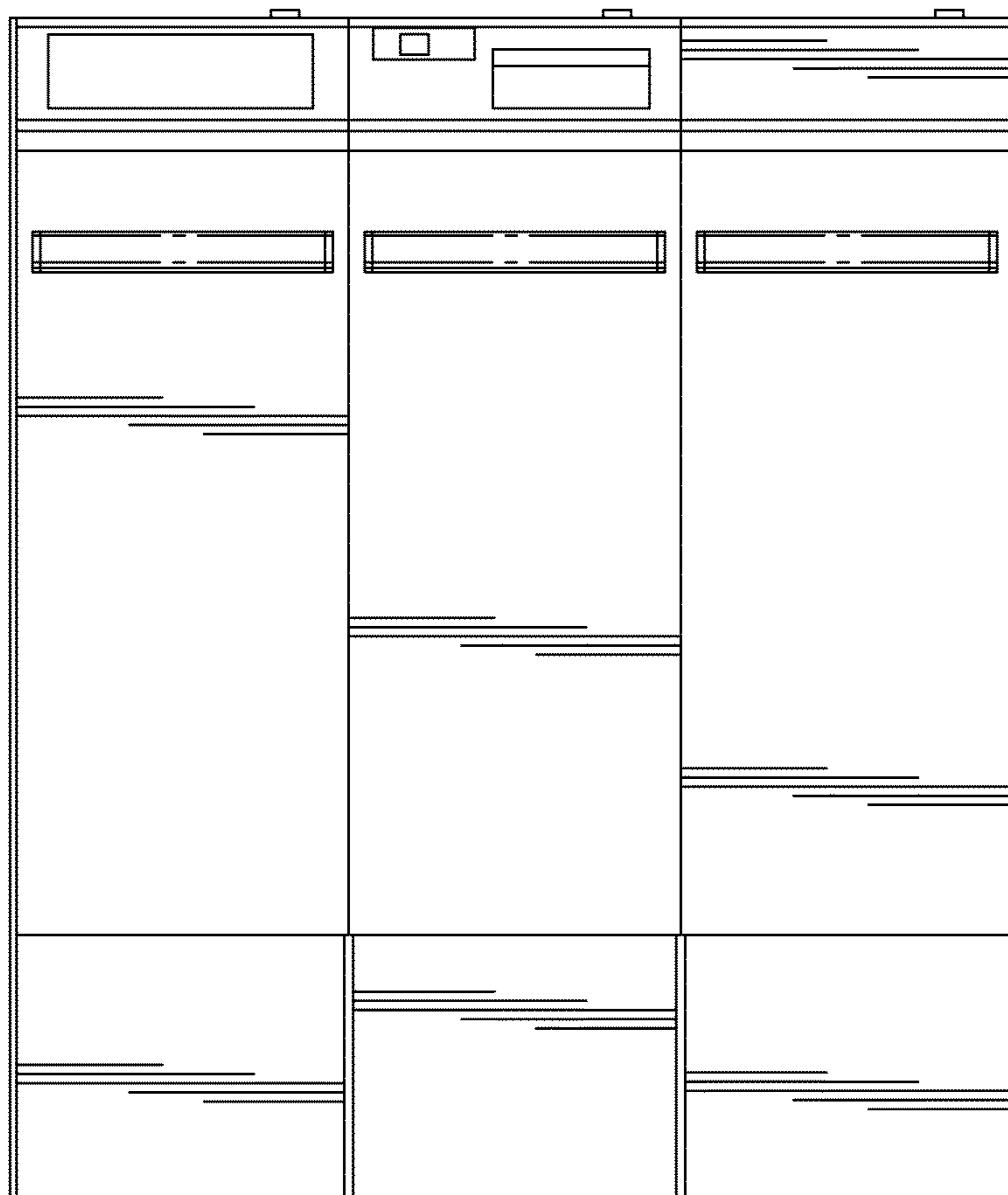


FIG. 15

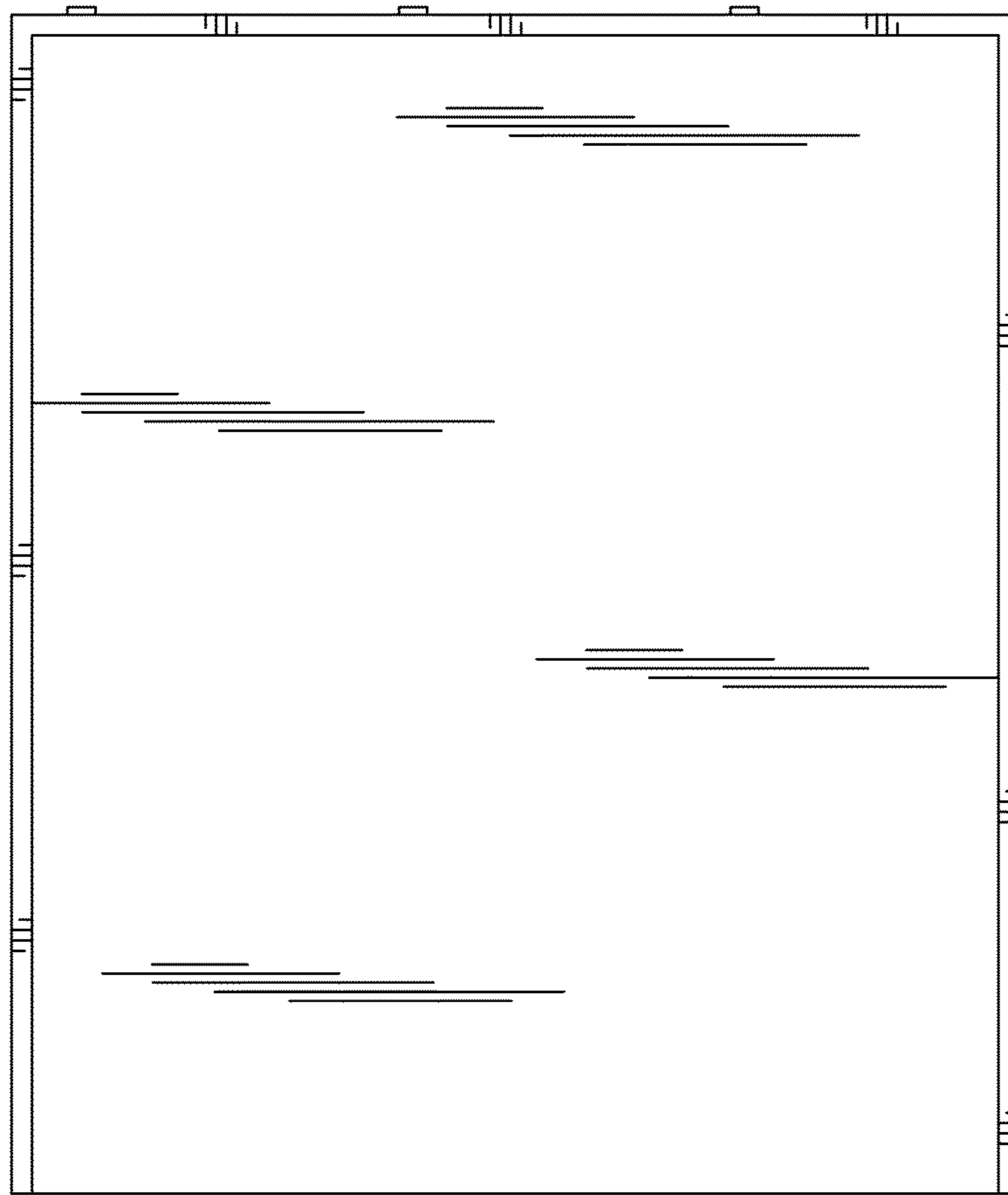


FIG. 16

FIG. 17

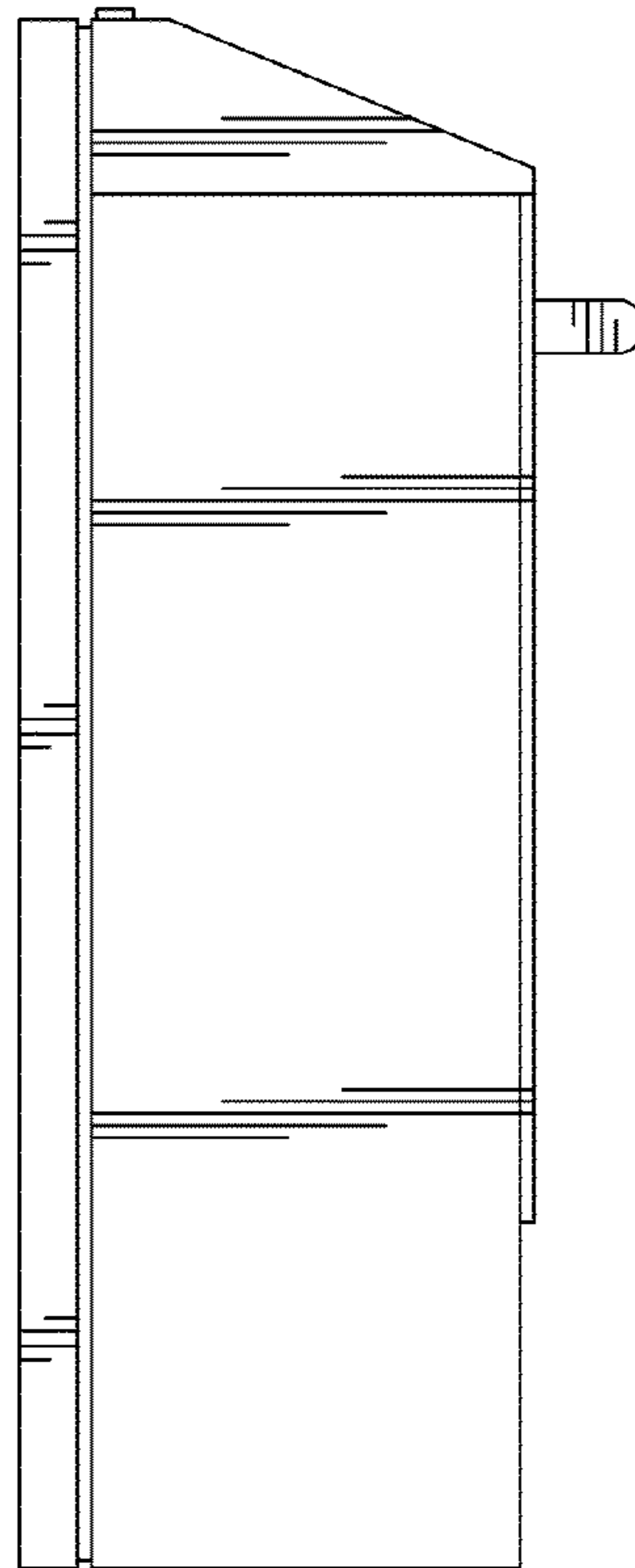


FIG. 18

