



US00D716791S

(12) **United States Design Patent**
Quilling, II

(10) **Patent No.:** **US D716,791 S**

(45) **Date of Patent:** **** Nov. 4, 2014**

(54) **AUTO STEREO MOUNTING DEVICE**

(56) **References Cited**

(71) Applicant: **R. Spencer Quilling, II**, DeLand, FL
(US)

U.S. PATENT DOCUMENTS

(72) Inventor: **R. Spencer Quilling, II**, DeLand, FL
(US)

D555,156	S	*	11/2007	Quilling	D14/258
D581,408	S	*	11/2008	Fiore, IV	D14/258
D638,832	S	*	5/2011	Quilling et al.	D14/258
D639,290	S	*	6/2011	Fiore et al.	D14/258
D639,795	S	*	6/2011	Quilling et al.	D14/258
D639,797	S	*	6/2011	Fiore et al.	D14/258
D640,684	S	*	6/2011	Fiore et al.	D14/258
2009/0024275	A1	*	1/2009	Hayes et al.	701/36

(73) Assignee: **Metra Electronics Corporation**, Holly Hill, FL (US)

* cited by examiner

(**) Term: **14 Years**

Primary Examiner — Stella Reid

Assistant Examiner — Janice Lim

(21) Appl. No.: **29/433,672**

(74) *Attorney, Agent, or Firm* — J. Wiley Horton

(22) Filed: **Oct. 3, 2012**

(57) **CLAIM**

The ornamental design for an “auto stereo mounting device,” as shown and described.

(51) **LOC (10) Cl.** **14-03**

DESCRIPTION

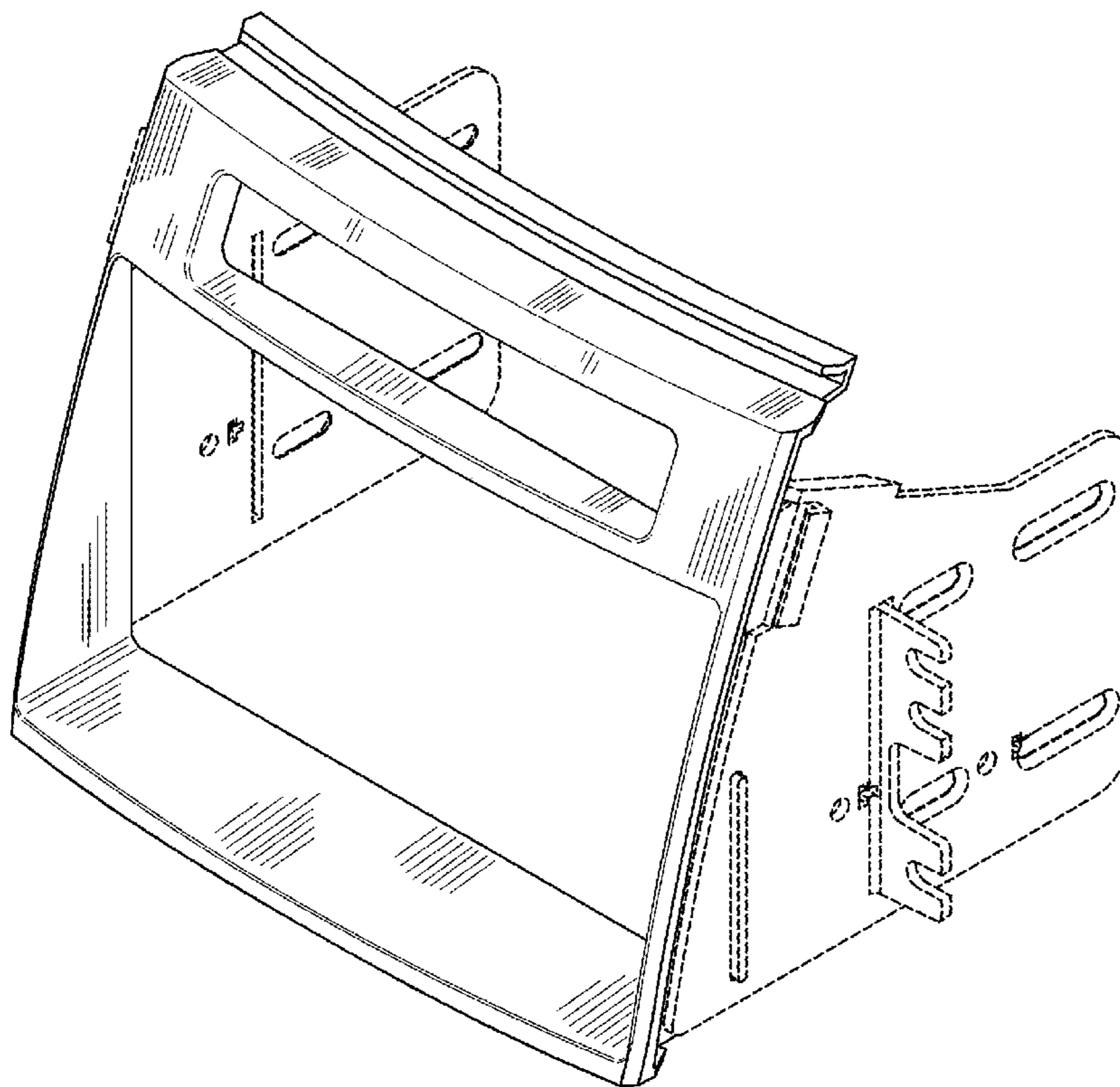
(52) **U.S. Cl.**
USPC **D14/258**

(58) **Field of Classification Search**
USPC D12/192, 195, 415, 420; D14/157, 167,
D14/168, 188, 191–198, 217, 224, 257, 258,
D14/260.1, 445; 248/27.1, 27.3, 558; 360/4;
369/75.11; 455/344, 347, 350, 575.1;
720/658, 691

FIG. 1 is a perspective view of an auto stereo mounting device, showing my design;
FIG. 2 is a front elevation view of FIG. 1;
FIG. 3 is a rear elevation view of FIG. 1;
FIG. 4 is a right side elevation view of FIG. 1;
FIG. 5 is a left side elevation view of FIG. 1;
FIG. 6 is a top plan view of FIG. 1; and,
FIG. 7 is a bottom plan view of FIG. 1.
The broken lines shown in all views illustrate mounting features which form no part of the claimed design.

See application file for complete search history.

1 Claim, 5 Drawing Sheets



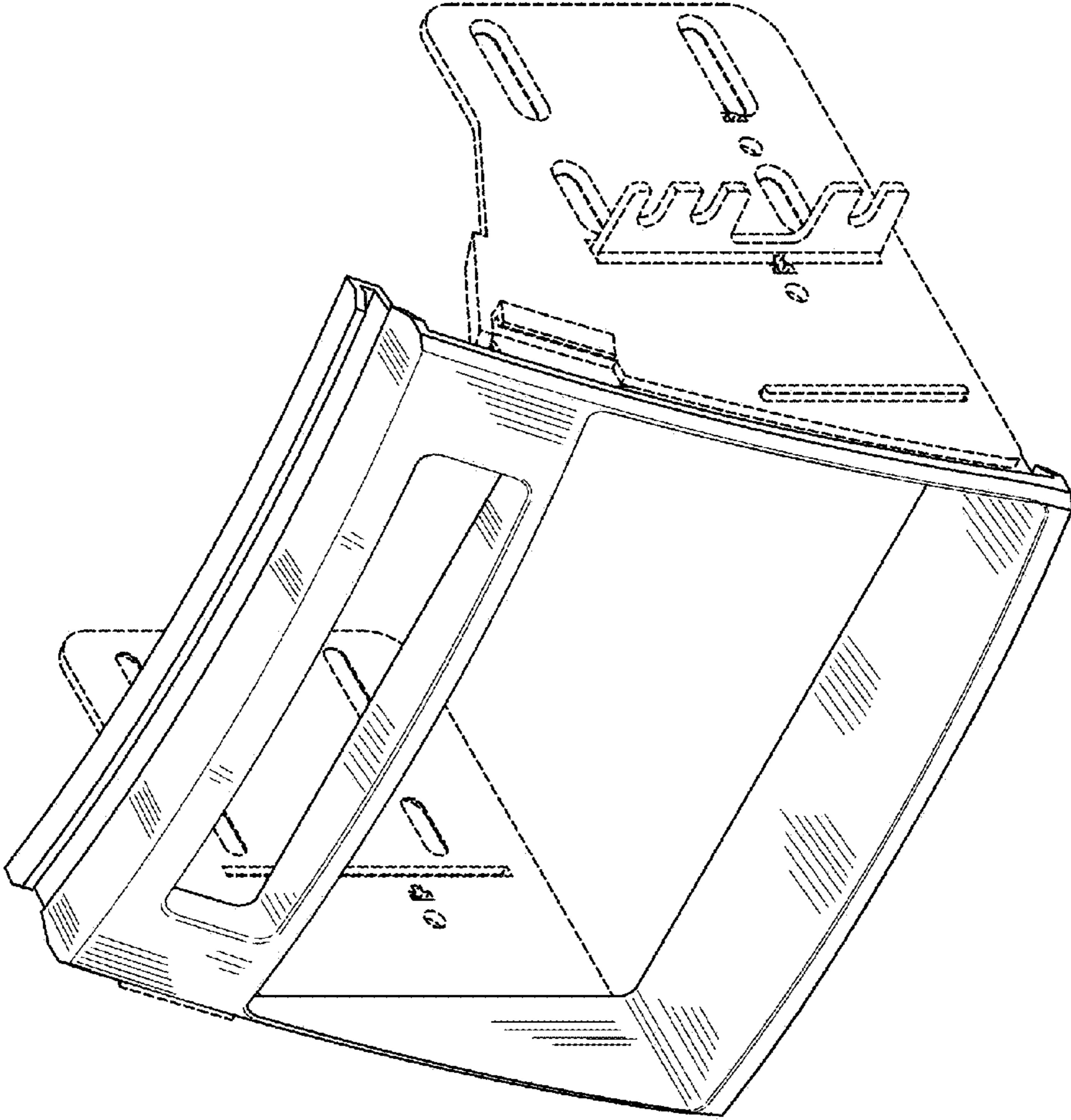


FIG.1

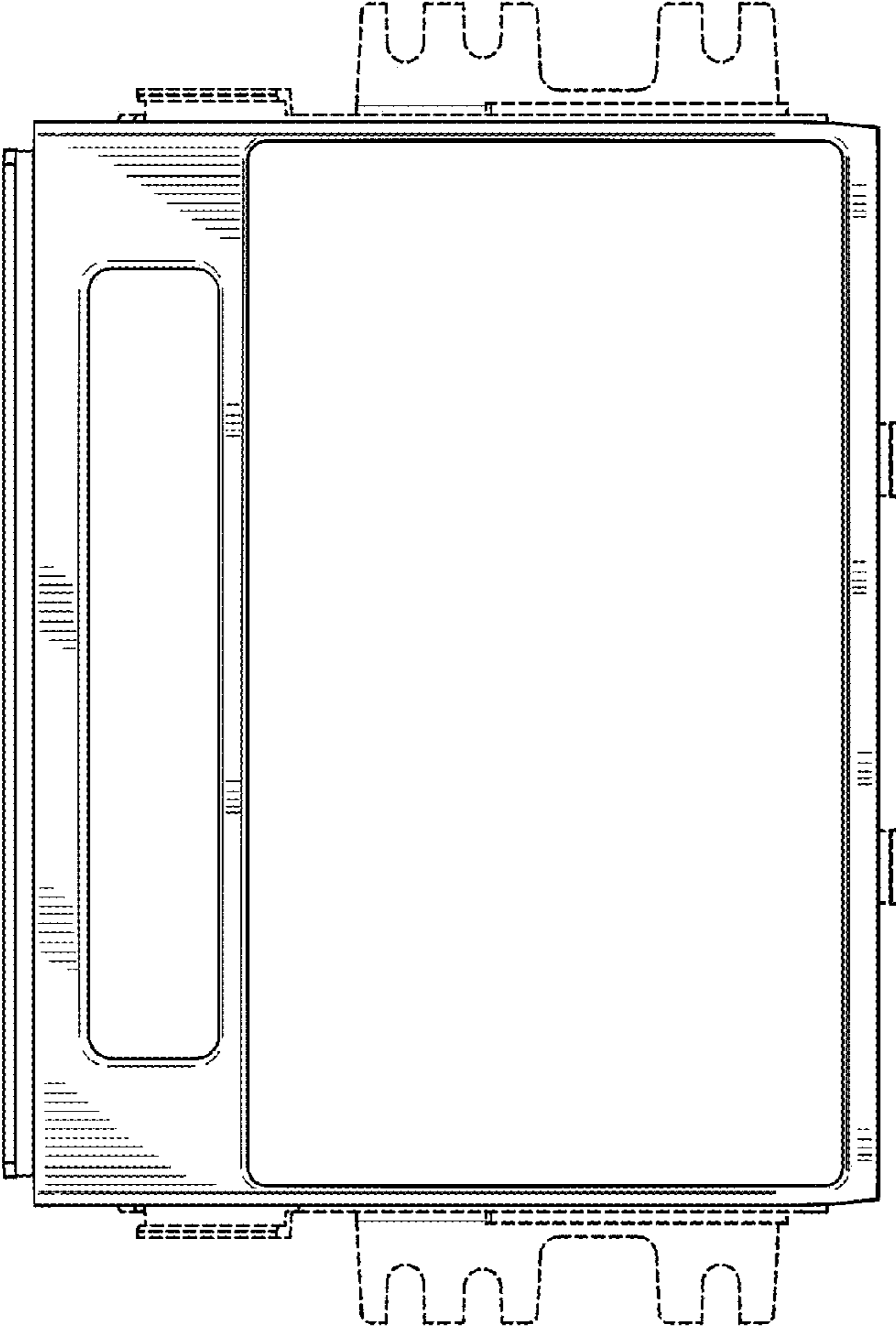


FIG.2

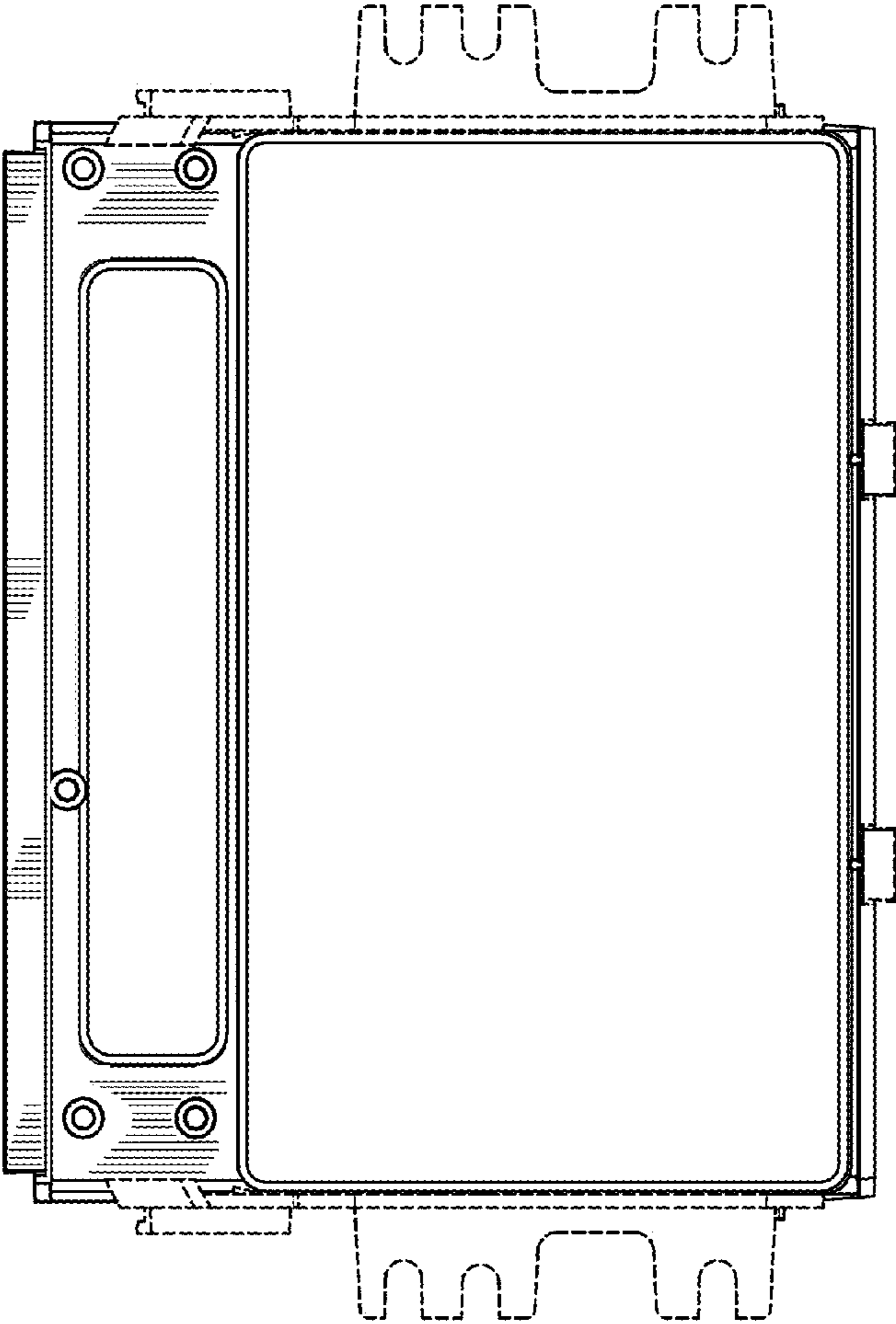


FIG.3

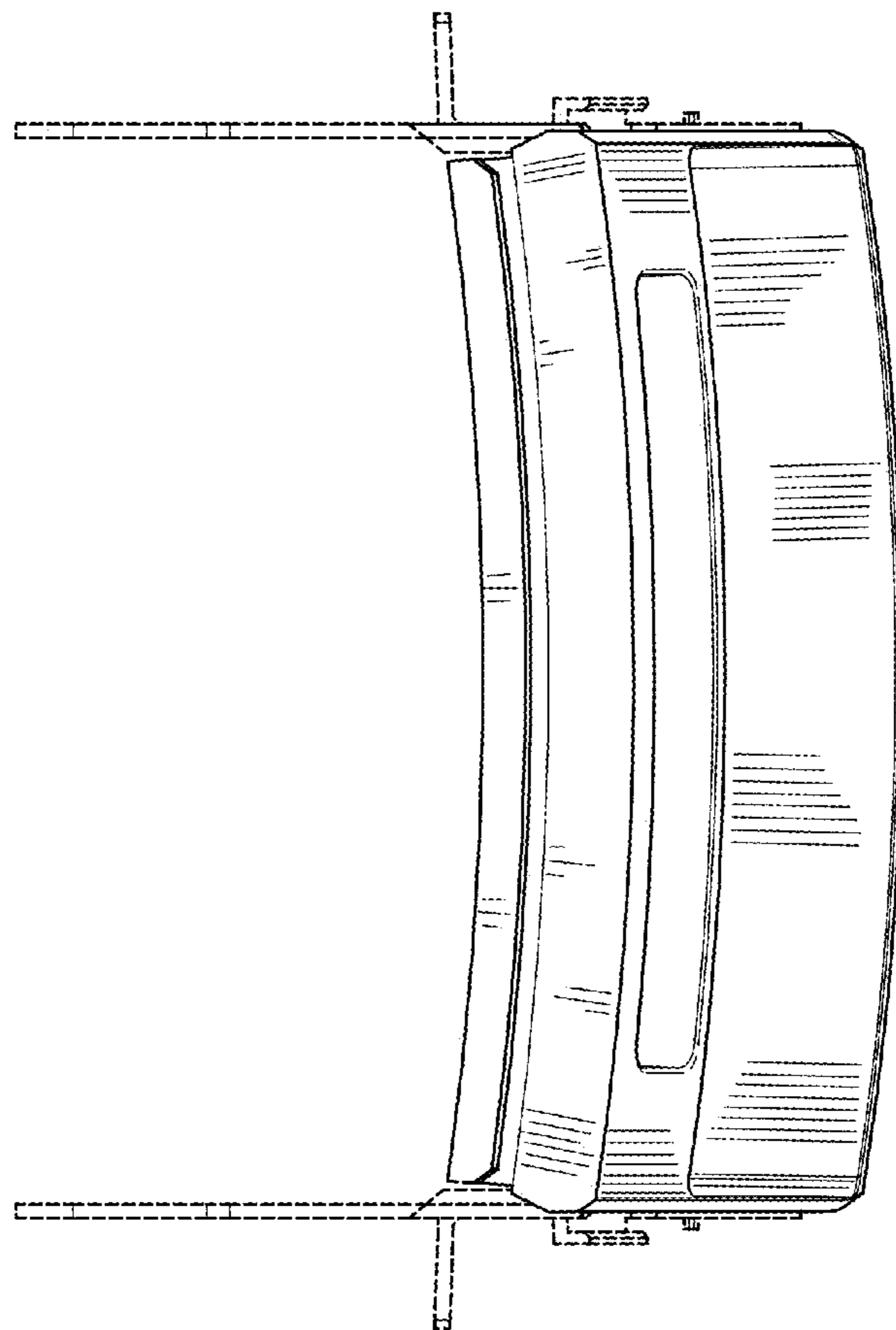


FIG.6

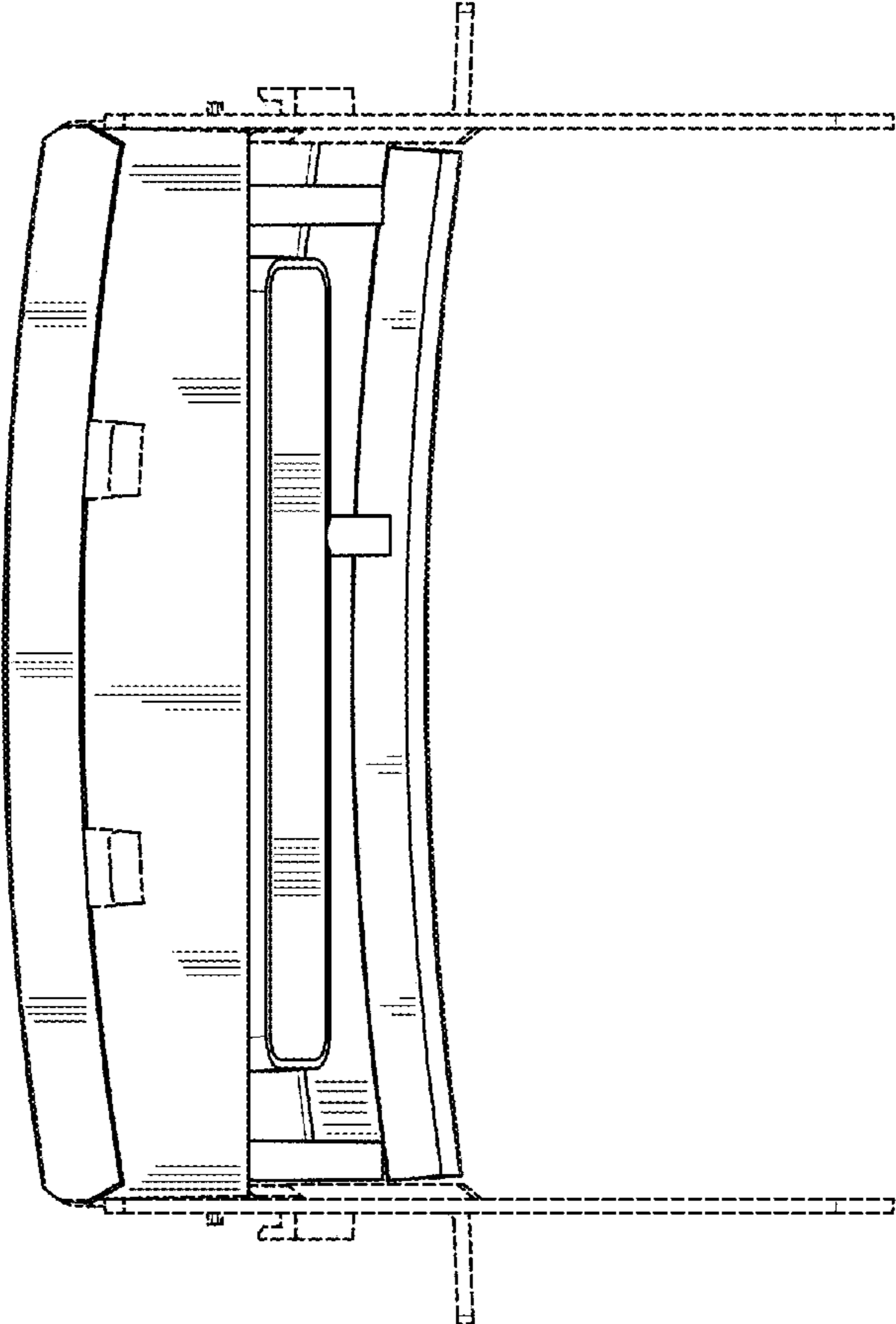


FIG. 7