



US00D716790S

(12) **United States Design Patent**
Fiore, IV

(10) **Patent No.:** **US D716,790 S**
(45) **Date of Patent:** **** Nov. 4, 2014**

- (54) **AUTO STEREO MOUNTING DEVICE**
- (71) Applicant: **Anthony Fiore, IV**, Palm Coast, FL (US)
- (72) Inventor: **Anthony Fiore, IV**, Palm Coast, FL (US)
- (73) Assignee: **Metra Electronics Corporation**, Holly Hill, FL (US)
- (**) Term: **14 Years**
- (21) Appl. No.: **29/433,669**
- (22) Filed: **Oct. 3, 2012**
- (51) **LOC (10) Cl.** **14-03**
- (52) **U.S. Cl.**
USPC **D14/258**
- (58) **Field of Classification Search**
USPC D12/192, 195, 415, 420; D14/157, 167, D14/168, 188, 191-198, 217, 224, 257, 258, D14/260.1, 445; 248/27.1, 27.3, 558; 360/4; 369/75.11; 455/344, 347, 350, 575.1; 720/658, 691
See application file for complete search history.

D602,483 S *	10/2009	Fiore, IV	D14/258
D602,930 S *	10/2009	Quilling, II	D14/258
D638,832 S *	5/2011	Quilling et al.	D14/258
D639,287 S *	6/2011	Quilling et al.	D14/258
D639,291 S *	6/2011	Quilling et al.	D14/258
D639,793 S *	6/2011	Quilling et al.	D14/258

OTHER PUBLICATIONS

Pro.Fit VSM navigator bezel, announced Nov. 2005, [online], [site visited Jan. 22, 2014]. Available from Internet, <URL: <http://www.pro-fit-intl.com>>.*

* cited by examiner

Primary Examiner — Stella Reid
Assistant Examiner — Janice Lim
(74) *Attorney, Agent, or Firm* — J. Wiley Horton

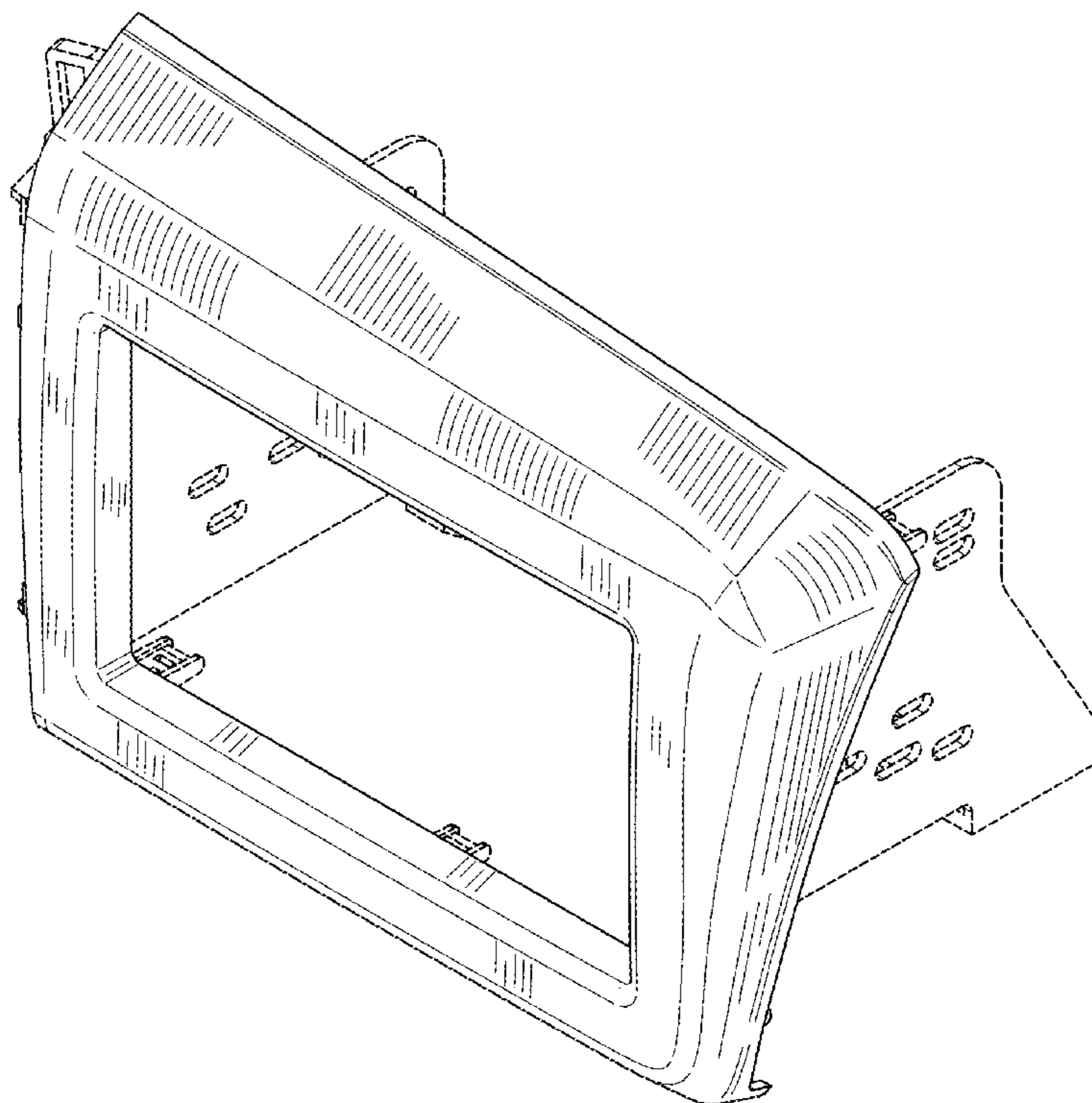
(57) **CLAIM**
The ornamental design for an “auto stereo mounting device,” as shown and described.

DESCRIPTION

FIG. 1 is a perspective view of an auto stereo mounting device, showing my design;
FIG. 2 is a front elevation view of FIG. 1;
FIG. 3 is a rear elevation view of FIG. 1;
FIG. 4 is a right side elevation view of FIG. 1;
FIG. 5 is a left side elevation view of FIG. 1;
FIG. 6 is a top plan view of FIG. 1; and,
FIG. 7 is a bottom plan view of FIG. 1.
The broken lines shown in all views illustrate mounting features which form no part of the claimed design.

1 Claim, 7 Drawing Sheets

- (56) **References Cited**
U.S. PATENT DOCUMENTS
D545,661 S * 7/2007 Quilling, II D14/258
D581,408 S * 11/2008 Fiore, IV D14/258
D602,013 S * 10/2009 Quilling, II D14/258



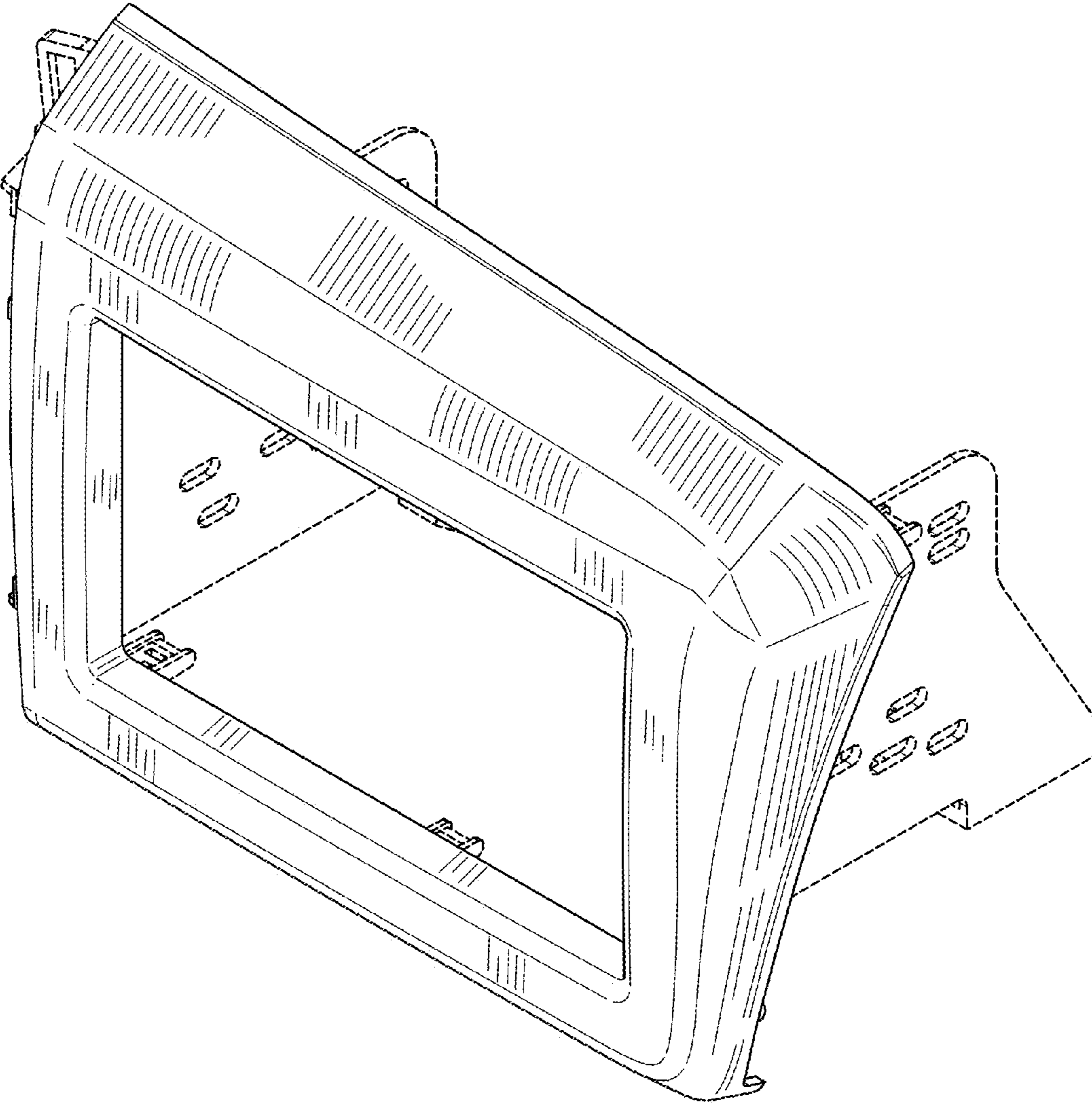


FIG. 1

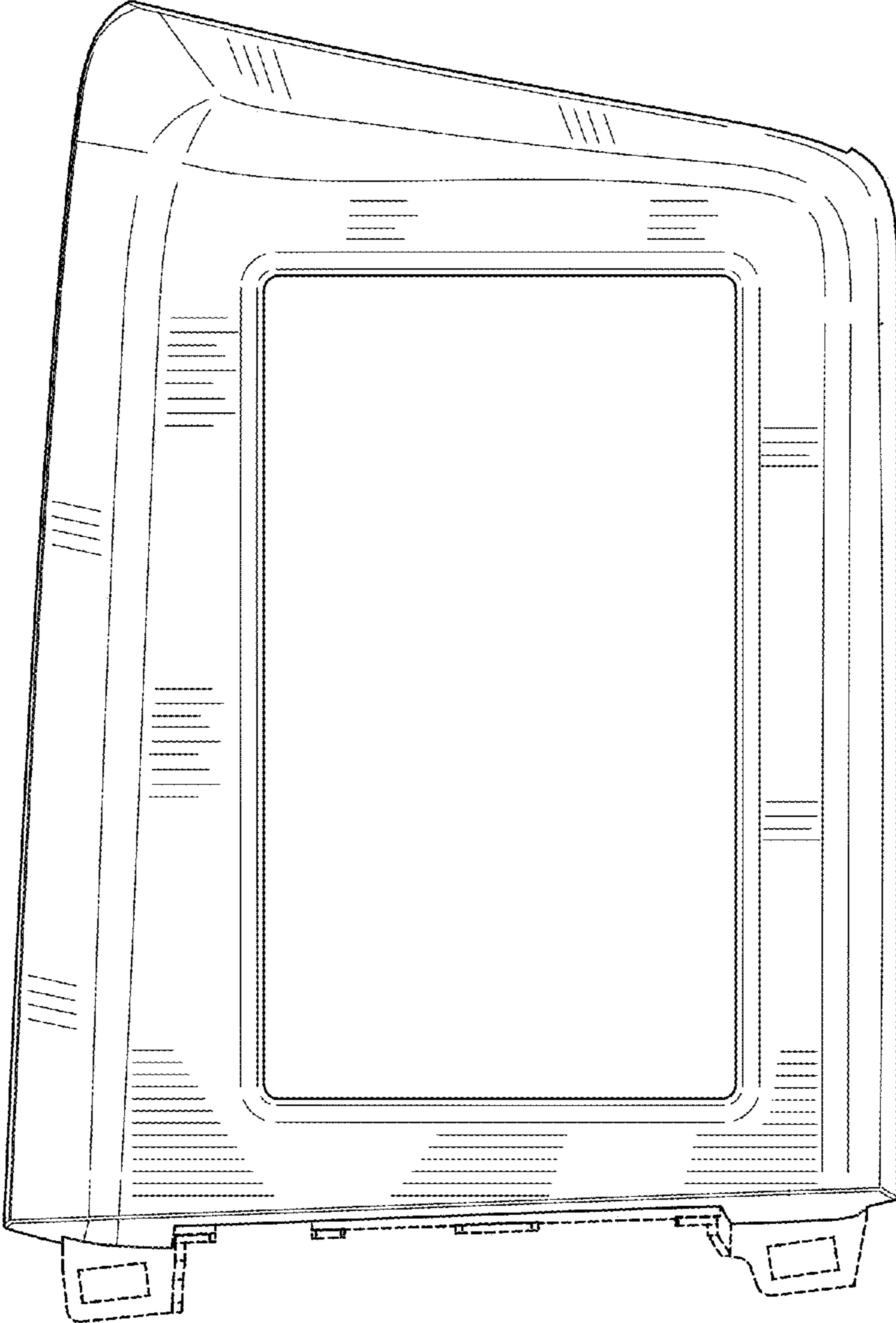


FIG.2

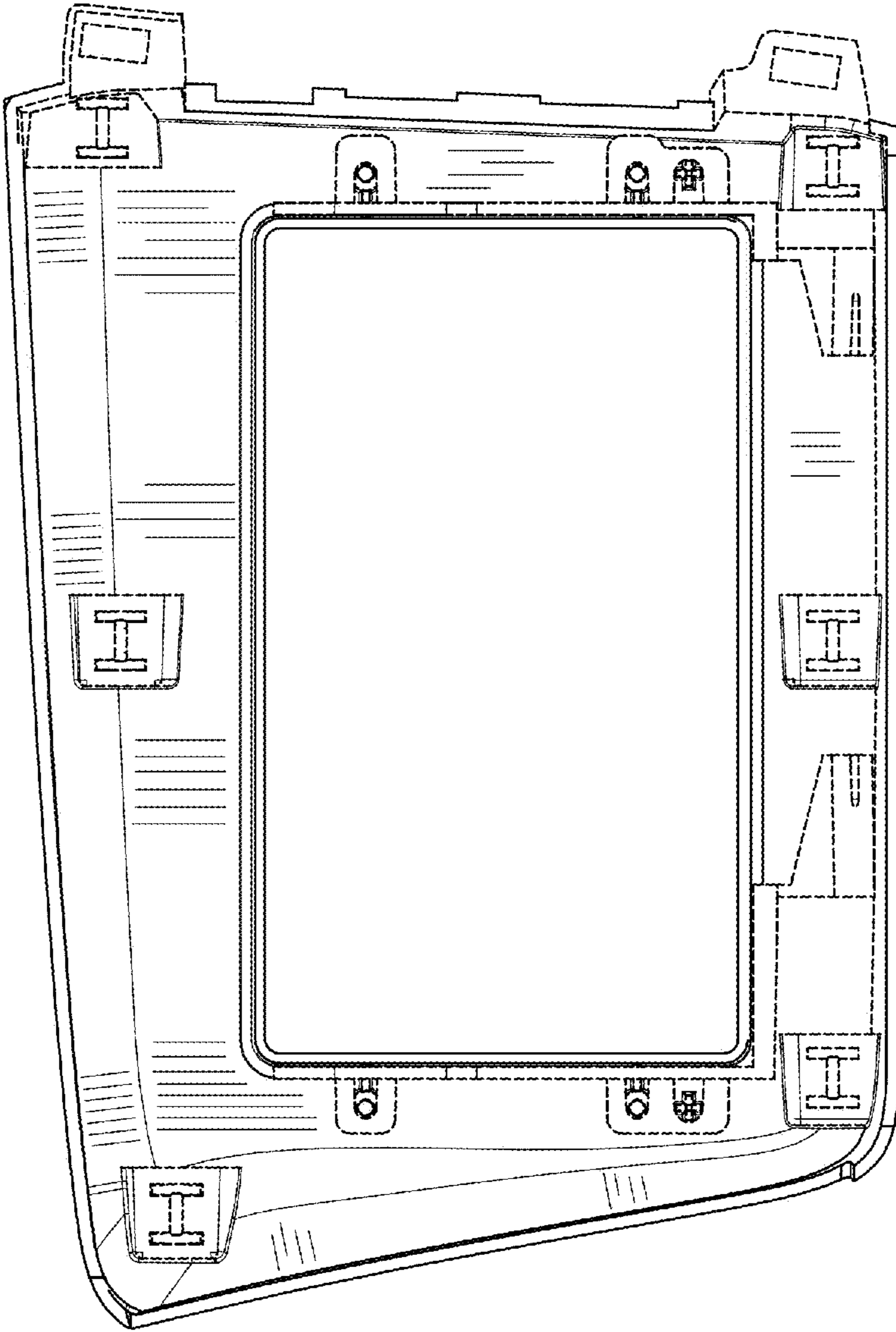


FIG.3

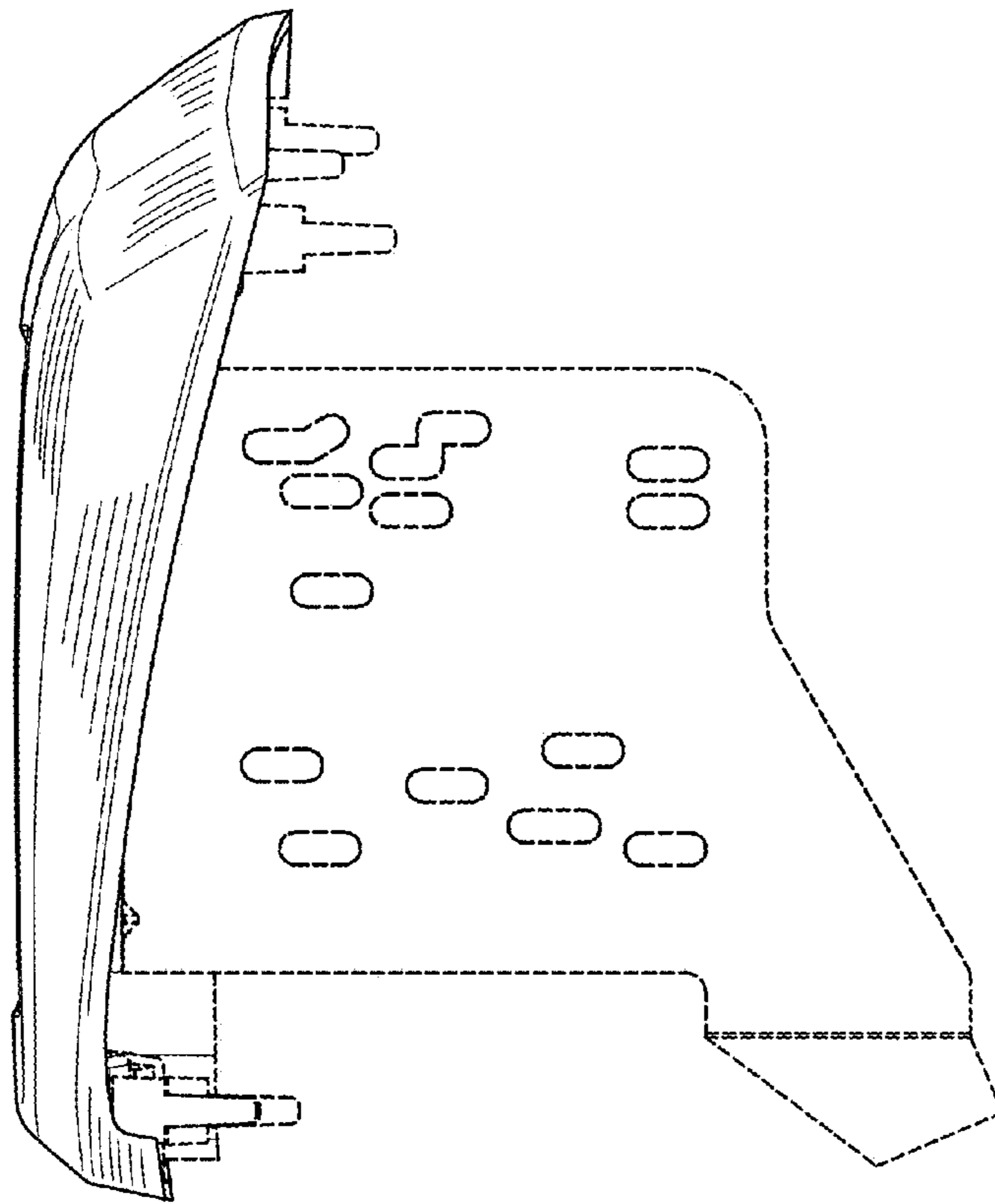


FIG.4

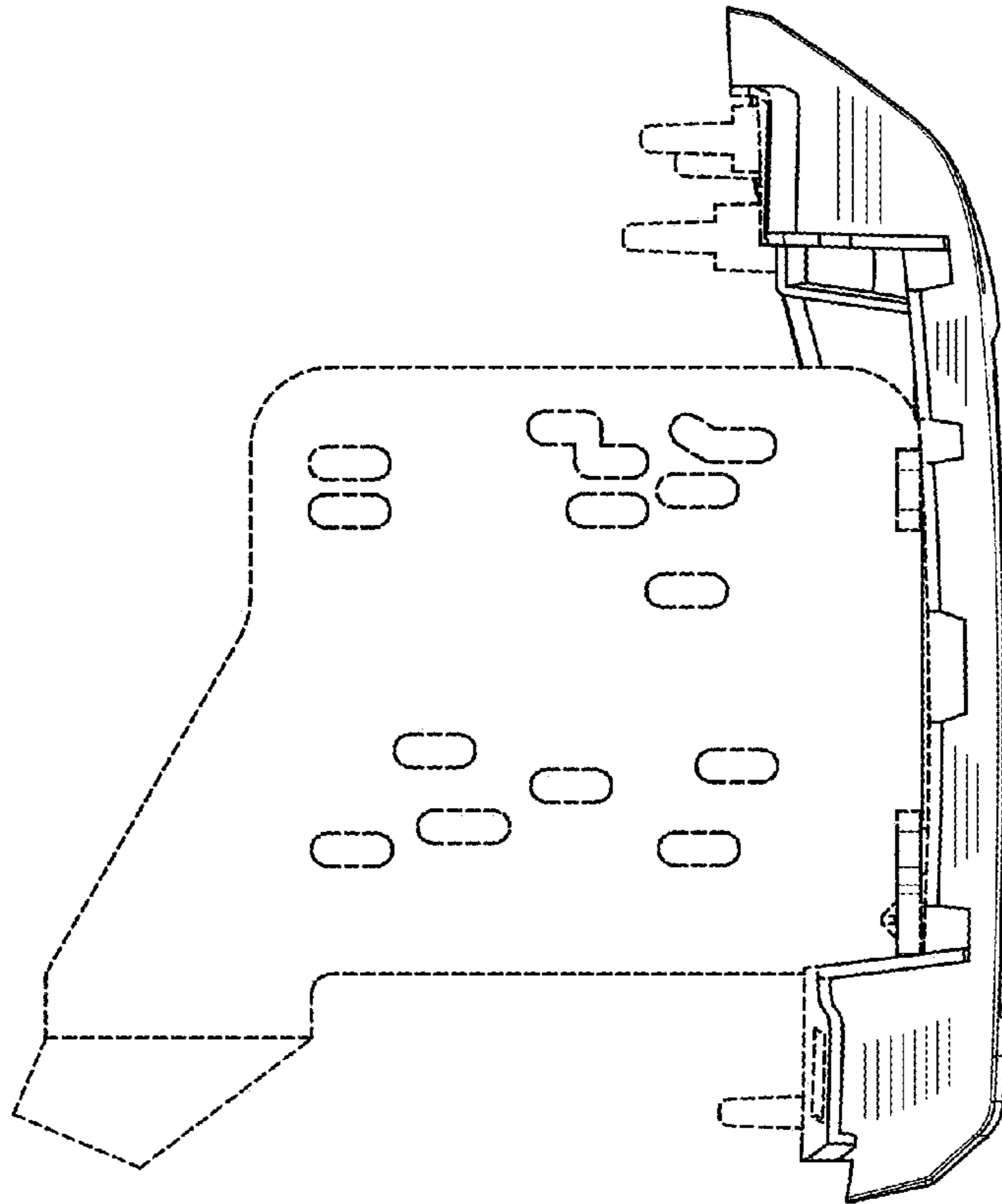


FIG.5

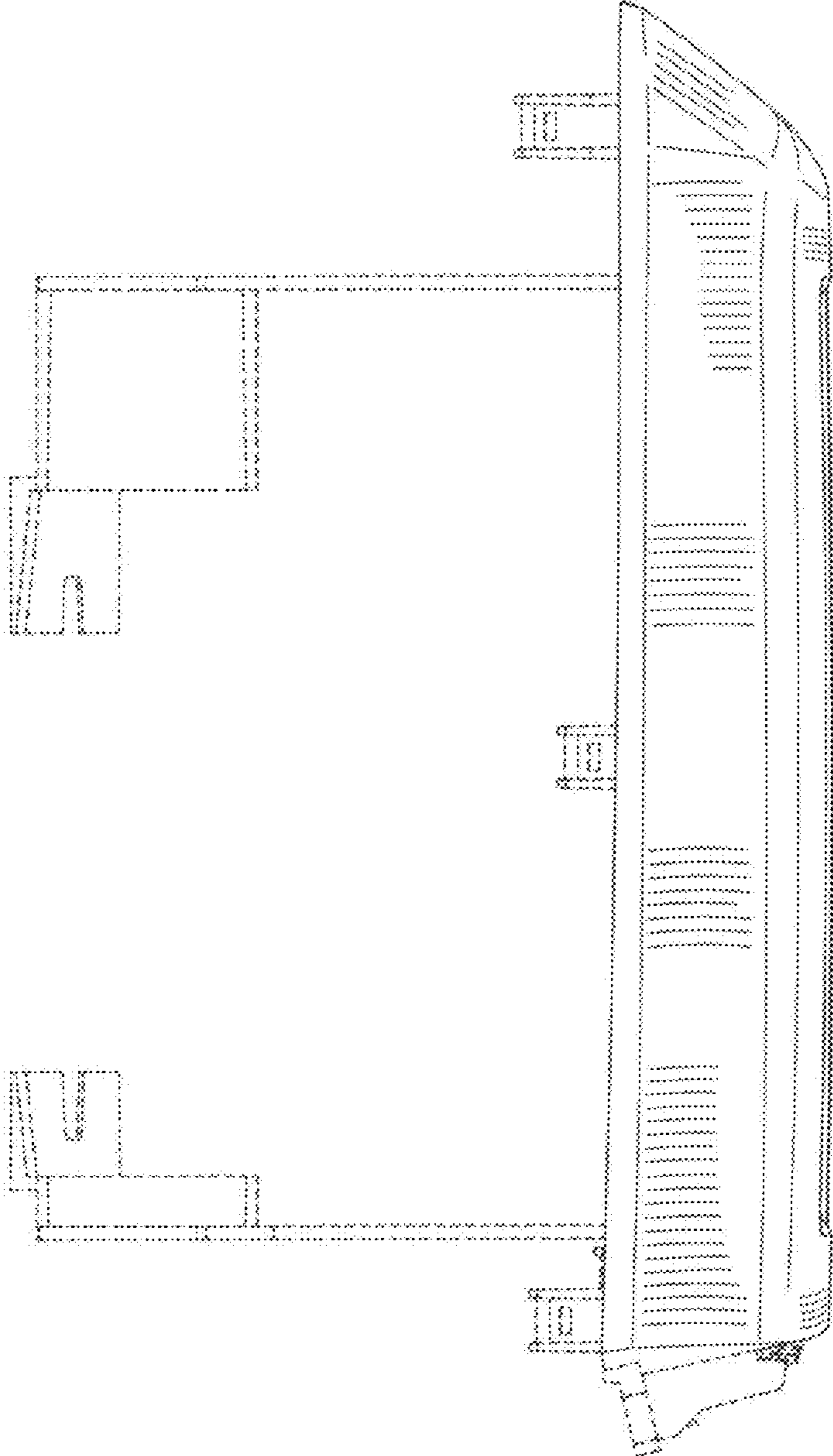


FIG. 6

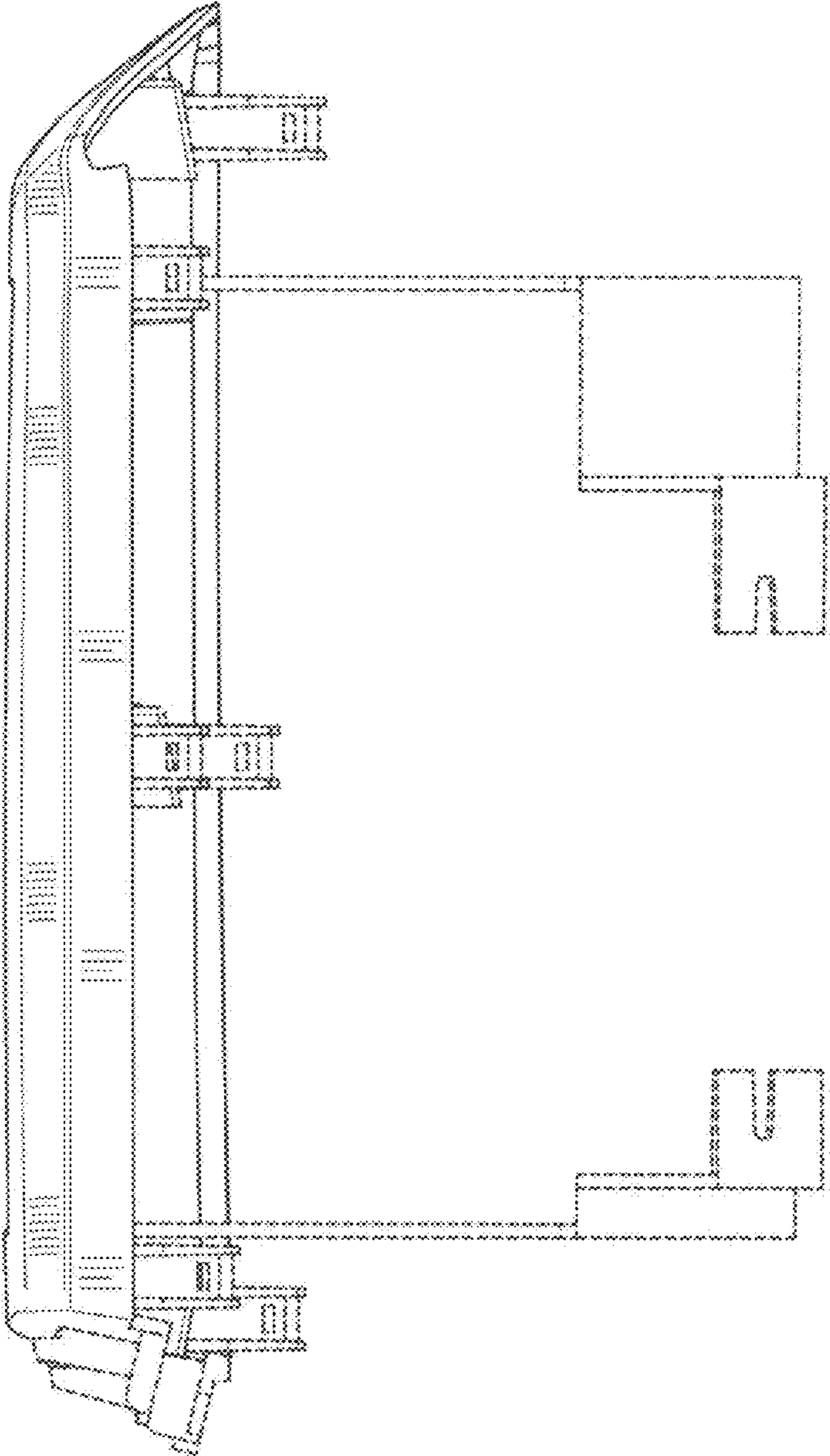


FIG. 7