



US00D716772S

(12) **United States Design Patent**  
**Cavero et al.**

(10) **Patent No.:** **US D716,772 S**  
(45) **Date of Patent:** **\*\* Nov. 4, 2014**

(54) **WIRELESS MICROPHONE**

(71) Applicants: **Dio Climaco Cavero**, North Merrick, NY (US); **Mathieu Zastawny**, Jersey City, NJ (US); **Adam Sebastian Sanchez**, Nutley, NJ (US); **Timothy D Root**, Nashua, NH (US); **Marc Cremer**, Sharon, MA (US); **Jean-Pierre Carney**, Sudbury, MA (US); **Stephen Lyman**, Hudson, MA (US); **Holger Stoltze**, Billerica, MA (US); **Jonathan Schau**, Sudbury, MA (US)

(72) Inventors: **Dio Climaco Cavero**, North Merrick, NY (US); **Mathieu Zastawny**, Jersey City, NJ (US); **Adam Sebastian Sanchez**, Nutley, NJ (US); **Timothy D Root**, Nashua, NH (US); **Marc Cremer**, Sharon, MA (US); **Jean-Pierre Carney**, Sudbury, MA (US); **Stephen Lyman**, Hudson, MA (US); **Holger Stoltze**, Billerica, MA (US); **Jonathan Schau**, Sudbury, MA (US)

(73) Assignee: **RevoLabs, Inc.**, Sudbury, MA (US)

(\*\*) Term: **14 Years**

(21) Appl. No.: **29/476,818**

(22) Filed: **Dec. 17, 2013**

(51) **LOC (10) Cl.** ..... **14-01**

(52) **U.S. Cl.**  
USPC ..... **D14/225**

(58) **Field of Classification Search**  
USPC ..... D14/255, 149, 223–229, 137, 150, 155, D14/159, 167, 168, 172, 191, 192, 194, D14/203.3, 217, 240, 242, 243, 251, 253, D14/431, 432, 434, 496, 402–409; 381/26, 381/87, 92, 168, 169, 161, 171, 336, 361, 381/363, 385, 386; 455/561, 569.1, 575.1; D23/385, 411, 412; D10/106.5

See application file for complete search history.

(56) **References Cited**

U.S. PATENT DOCUMENTS

D307,274 S \* 4/1990 Sasaki et al. .... D14/243  
D319,600 S \* 9/1991 Kaiser et al. .... D10/106.2  
5,778,085 A \* 7/1998 Sasaki ..... 381/71.1  
D448,462 S \* 9/2001 Nanjo ..... D23/351  
D499,505 S \* 12/2004 Benensohn ..... D26/89

(Continued)

*Primary Examiner* — Susan Bennett Hattan

*Assistant Examiner* — Marie Fast Horse

(74) *Attorney, Agent, or Firm* — Robert Schuler

(57) **CLAIM**

The ornamental design for a wireless microphone, as shown and described.

**DESCRIPTION**

FIG. 1 is a perspective view showing the top, front and left sides of a wireless microphone.

FIG. 2 is a front side elevation view of the wireless microphone in FIG. 1.

FIG. 3 is a back side elevation view of the wireless microphone in FIG. 1.

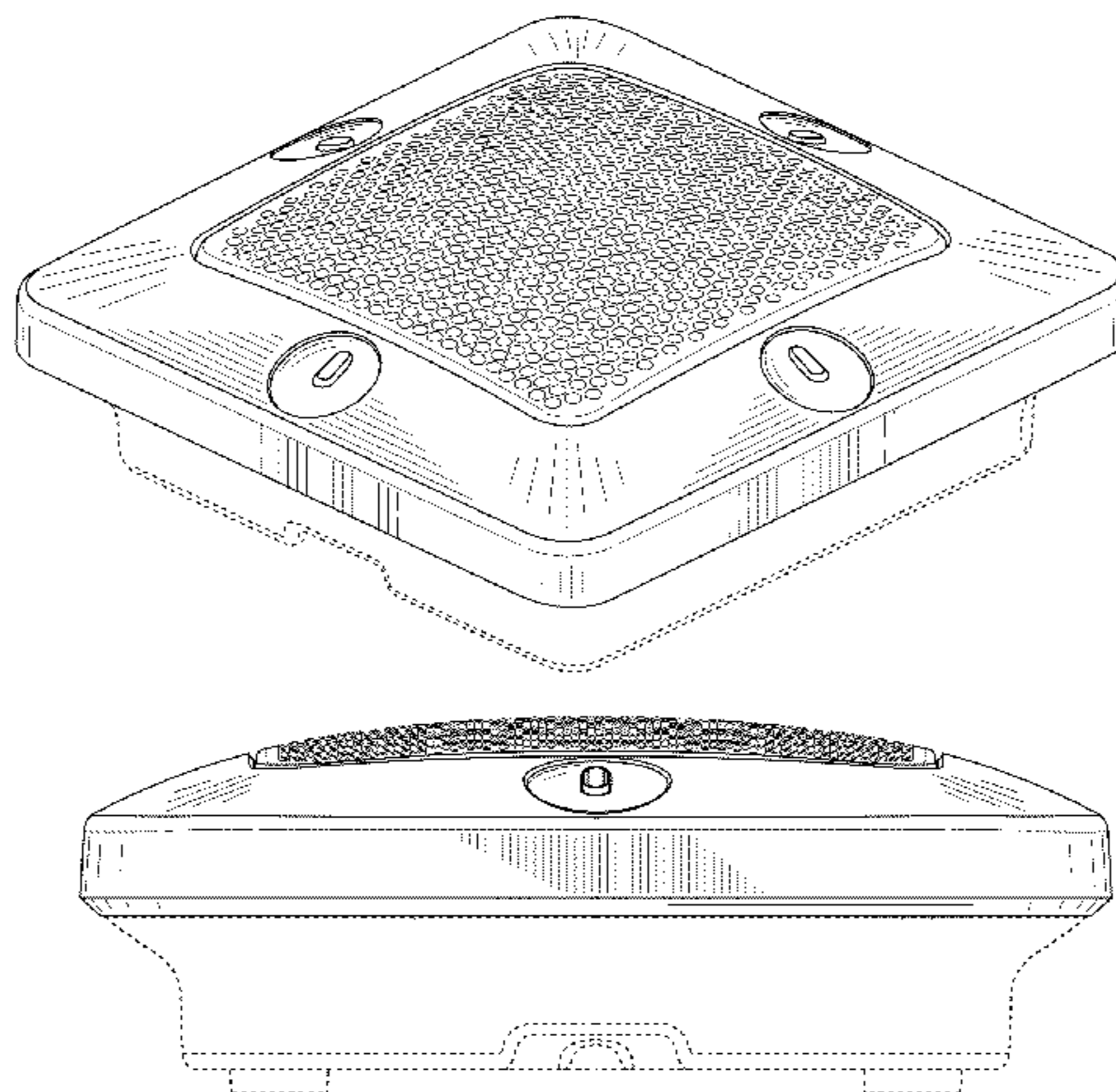
FIG. 4 is a right side elevation view of the wireless microphone in FIG. 1.

FIG. 5 is a left side elevation view of the wireless microphone in FIG. 1; and,

FIG. 6 is a top plan view of the wireless microphone in FIG. 1.

The broken lines appearing in FIGS. 1 through 6 depict portions of the wireless microphone that form no part of the claimed design.

**1 Claim, 6 Drawing Sheets**



(56)

**References Cited**

U.S. PATENT DOCUMENTS

D514,732 S *	2/2006	Benensohn .....	D26/89	D617,889 S *	6/2010	Miyake .....	D23/385
D533,956 S *	12/2006	Vladika .....	D26/118	D618,782 S *	6/2010	Zakula et al. ....	D23/385
D541,927 S *	5/2007	Yamanaka et al. ....	D23/388	D647,896 S *	11/2011	Chen et al. ....	D14/314
D567,354 S *	4/2008	Jacak et al. ....	D23/388	D667,162 S *	9/2012	Choi et al. ....	D26/89
D575,386 S *	8/2008	Jacak et al. ....	D23/371	D698,980 S *	2/2014	Yu .....	D26/89
D595,402 S *	6/2009	Miyake et al. ....	D23/385	D704,176 S *	5/2014	Kwak et al. ....	D14/240
D617,441 S *	6/2010	Koury et al. ....	D23/385	2013/0108086 A1*	5/2013	Yamashita et al. ....	381/191
				2013/0264144 A1*	10/2013	Hudson et al. ....	181/282

\* cited by examiner

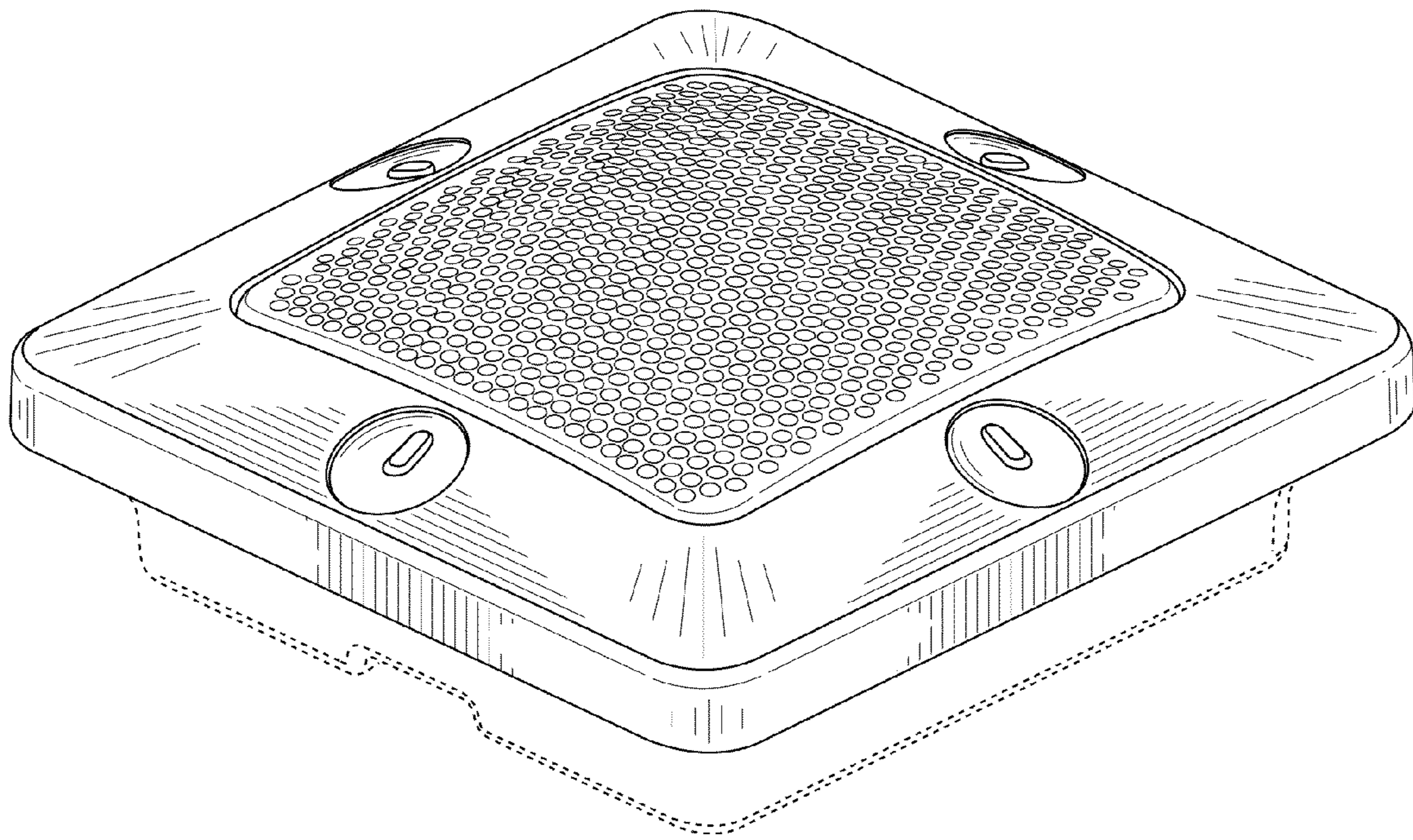
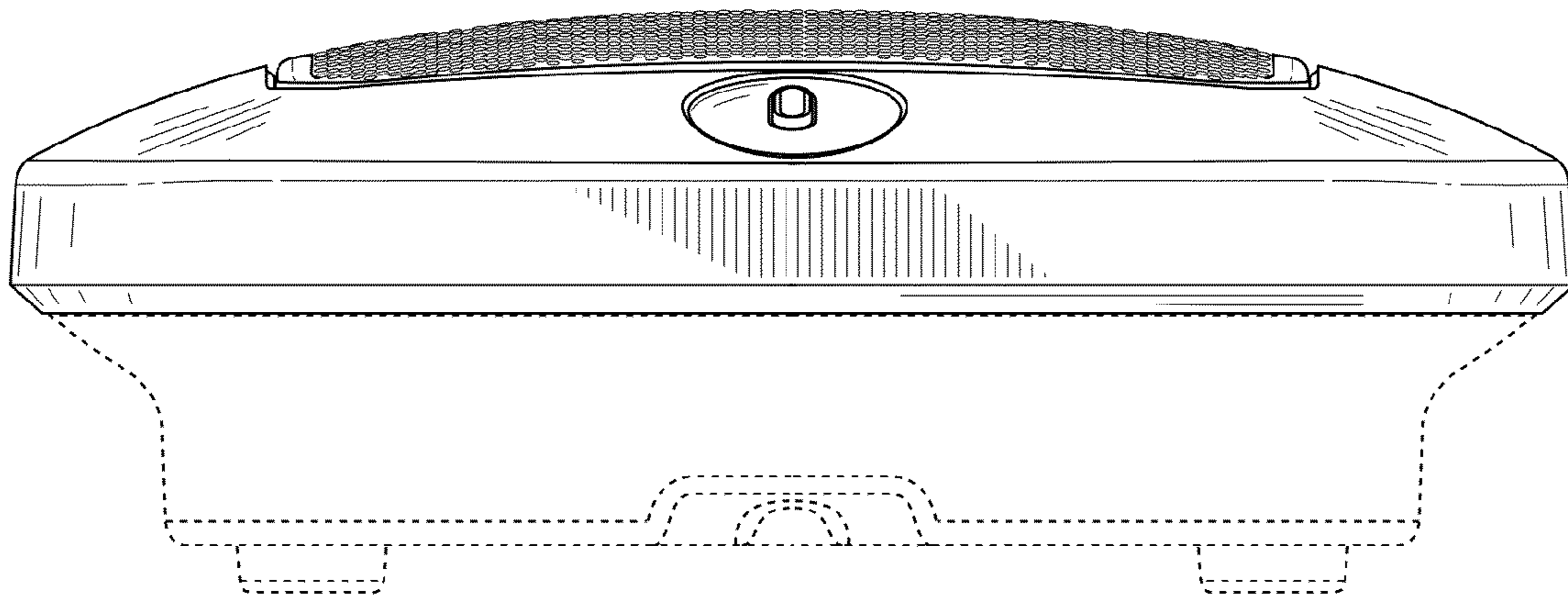
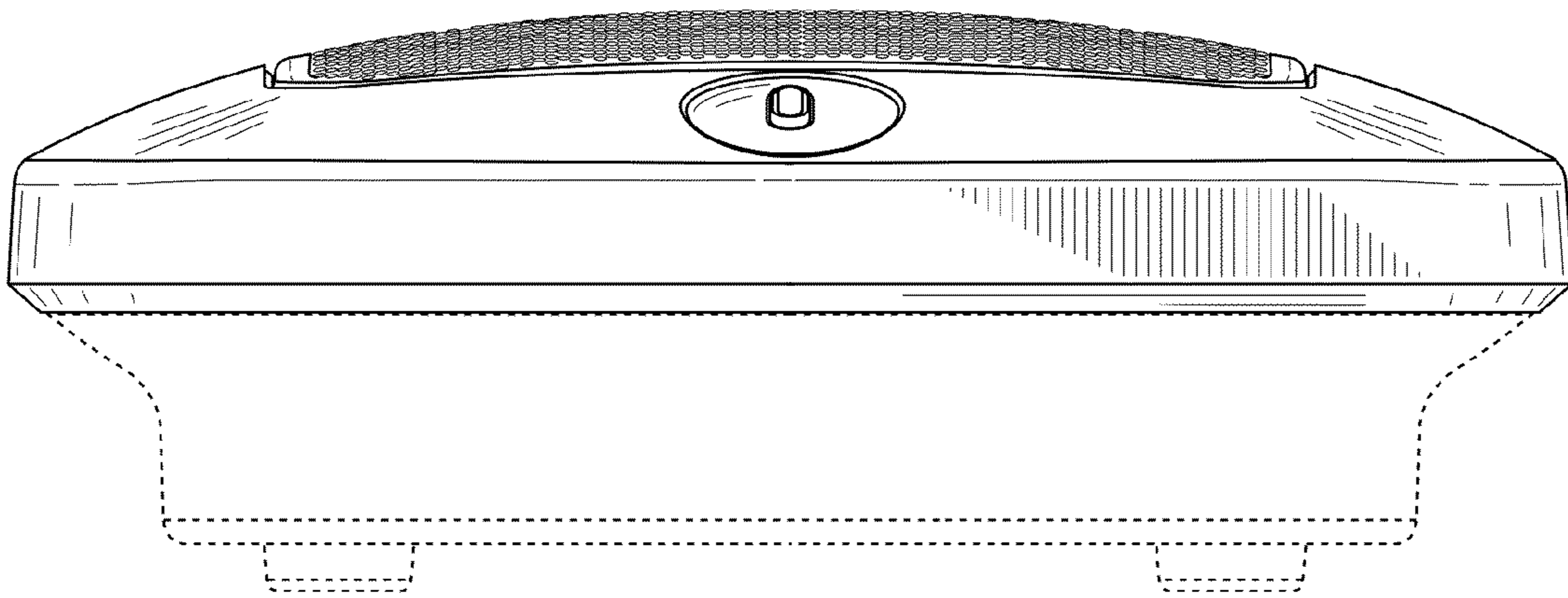


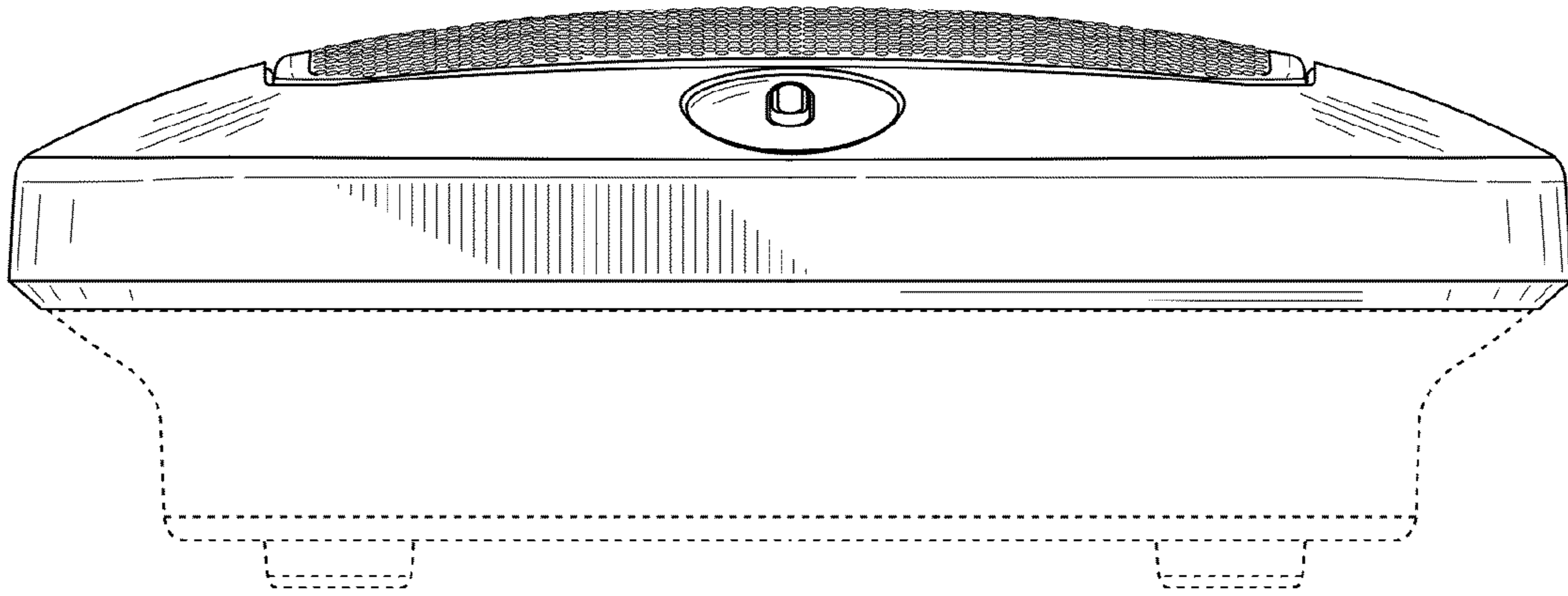
FIG. 1



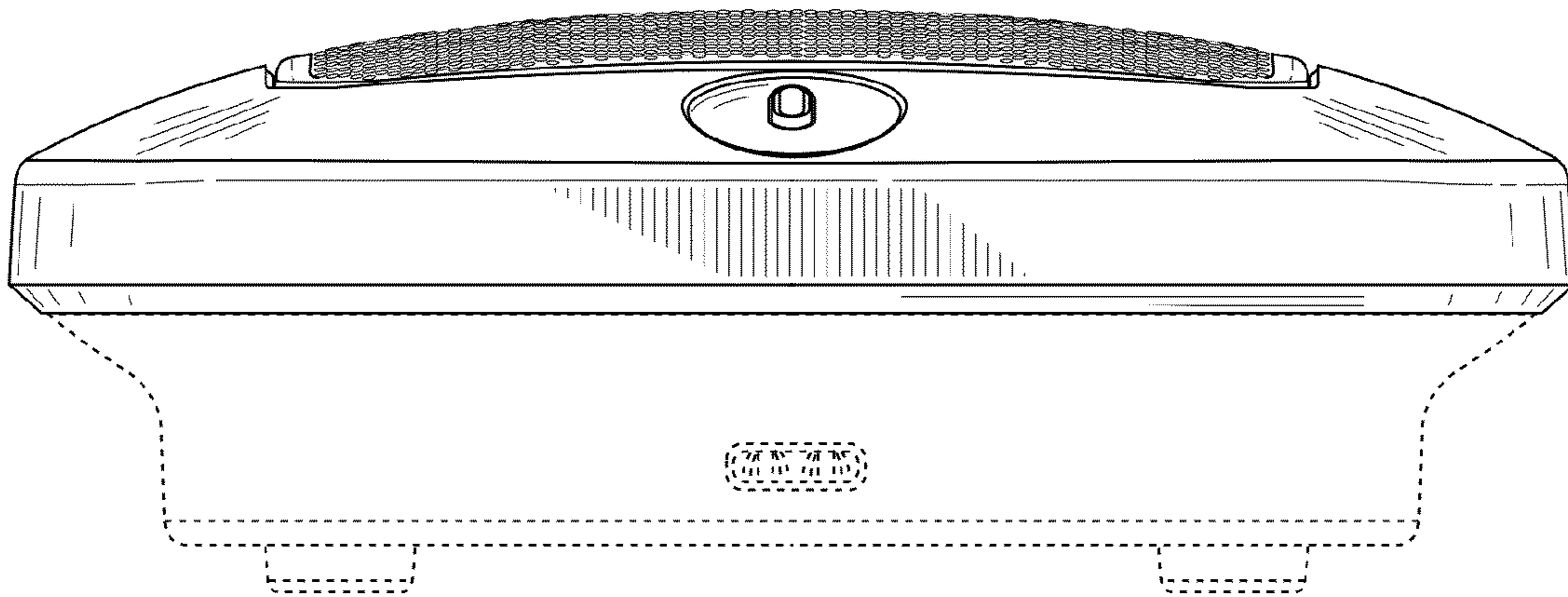
**FIG. 2**



**FIG. 3**



**FIG. 4**



**FIG. 5**

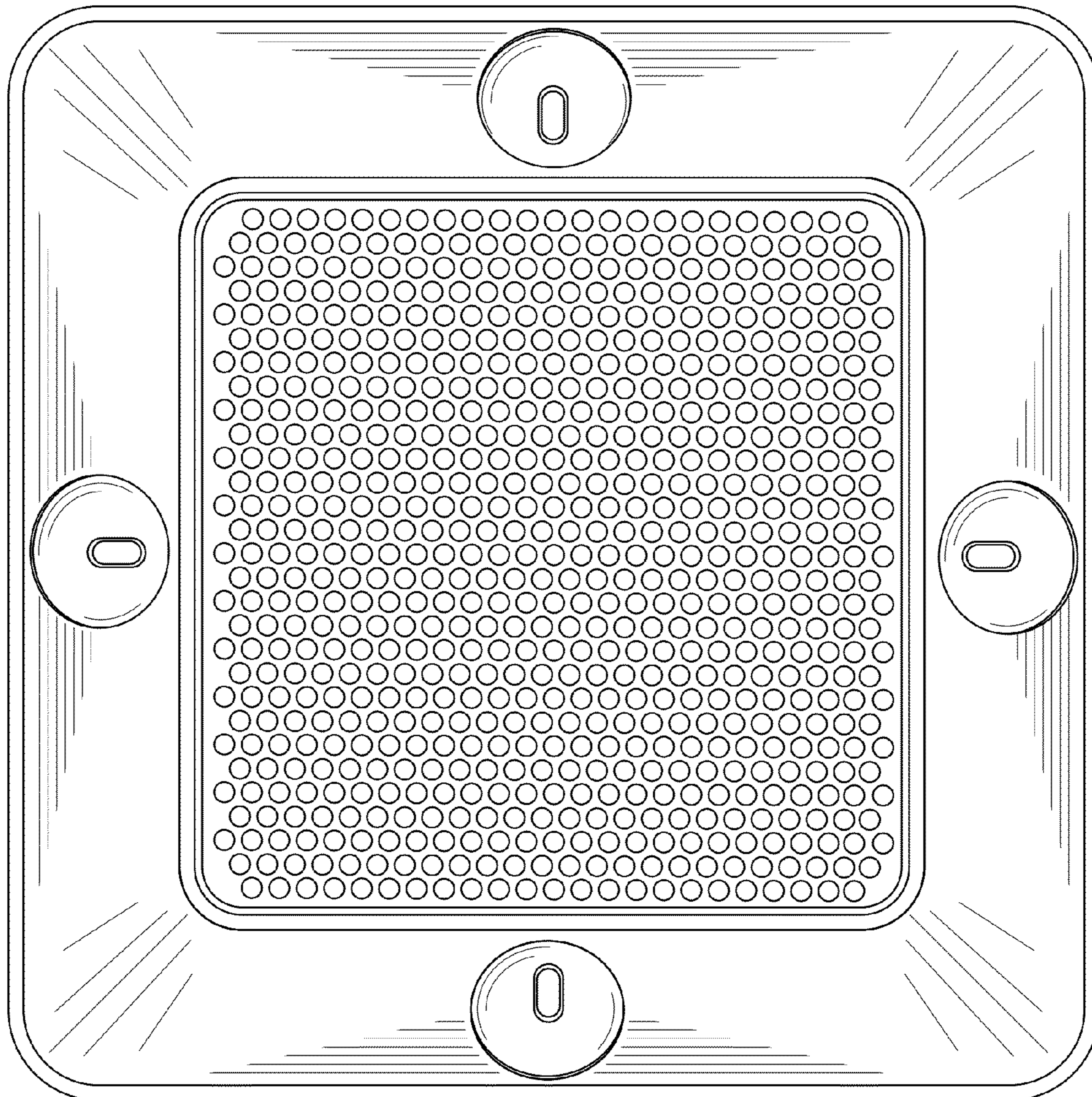


FIG. 6