



US00D716771S

(12) **United States Design Patent**  
**Burgett et al.**

(10) **Patent No.:** **US D716,771 S**

(45) **Date of Patent:** **\*\* Nov. 4, 2014**

- (54) **EARBUD**
- (71) Applicants: **Seth D Burgett**, Glen Carbon, IL (US);  
**Effrosini A. Karayiannis**, Saint Louis,  
MO (US); **Aaron Gorga**, Saint Louis,  
MO (US)
- (72) Inventors: **Seth D Burgett**, Glen Carbon, IL (US);  
**Effrosini A. Karayiannis**, Saint Louis,  
MO (US); **Aaron Gorga**, Saint Louis,  
MO (US)
- (73) Assignee: **Verto Medical Solutions, LLC**, St.  
Louis, MO (US)
- (\*\*) Term: **14 Years**
- (21) Appl. No.: **29/466,559**
- (22) Filed: **Sep. 9, 2013**
- (51) **LOC (10) Cl.** ..... **14-01**
- (52) **U.S. Cl.**  
USPC ..... **D14/223**
- (58) **Field of Classification Search**  
CPC ..... H04R 1/10  
USPC ..... D14/223; 181/129, 130, 135; 379/430,  
379/431; 381/380, 381; 455/90.3, 575.1  
See application file for complete search history.

(56) **References Cited**

**U.S. PATENT DOCUMENTS**

1,527,802 A	2/1925	Huggins
1,893,474 A	1/1933	Lieber
2,148,477 A	2/1939	Koch
2,325,590 A	7/1943	Carlisle et al.
2,344,023 A	3/1944	Carlisle et al.
2,430,229 A	11/1947	Kelsey
2,549,629 A	4/1951	Nelson
3,047,089 A	7/1962	Zwislocki
D196,654 S	10/1963	Van Den Berg
3,539,031 A	11/1970	Scanlon
D242,810 S	12/1976	Rynearson
4,069,400 A	1/1978	Johanson et al.

D249,508 S	9/1978	Coughlin et al.
D266,590 S	10/1982	Bennett
4,375,016 A	2/1983	Harada
D273,707 S	5/1984	McCall
D287,280 S	12/1986	Topholm
D287,764 S	1/1987	Topholm
D287,765 S	1/1987	Topholm
D288,093 S	2/1987	Fujiyama et al.
4,972,492 A	11/1990	Tanaka et al.
5,146,051 A	9/1992	Hermann
D331,061 S *	11/1992	Hyohgo ..... D14/223
D331,062 S *	11/1992	Kanno ..... D14/223
D337,118 S *	7/1993	Seikita ..... D14/223
D337,589 S *	7/1993	Wada ..... D14/223
D340,286 S	10/1993	Seo
D340,932 S *	11/1993	Yan ..... D14/249
D353,379 S *	12/1994	Nakamura et al. .... D14/223
5,412,736 A	5/1995	Keliiliki
D363,487 S	10/1995	Thurnau
D368,309 S	3/1996	Narisawa
5,625,171 A	4/1997	Marshall
5,659,156 A	8/1997	Mauney et al.
D388,093 S	12/1997	Frengley
5,712,453 A	1/1998	Bungardt et al.
D391,576 S	3/1998	Mullin et al.

(Continued)

*Primary Examiner* — Paula Greene

(74) *Attorney, Agent, or Firm* — Harness, Dickey & Pierce,  
P.L.C.

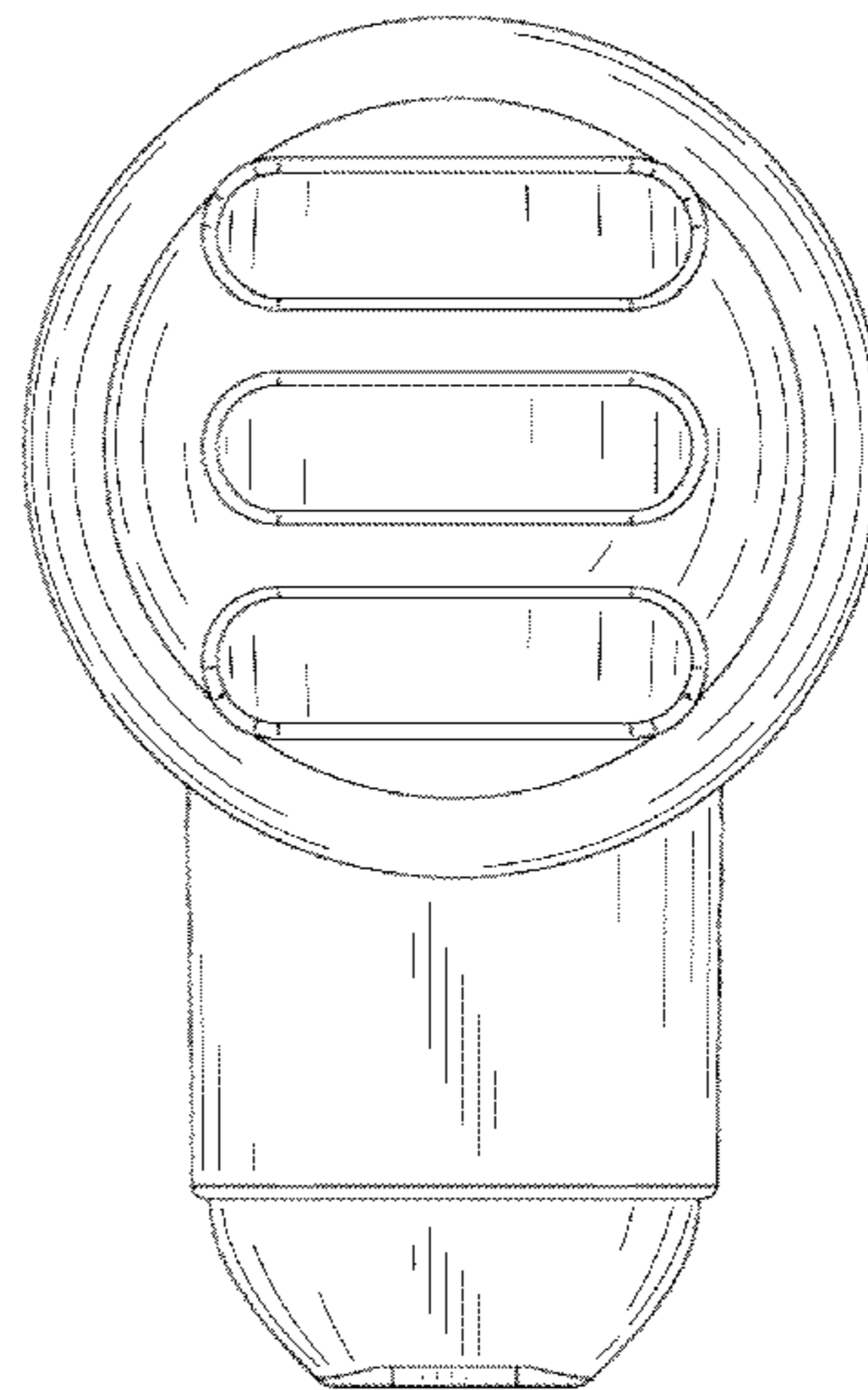
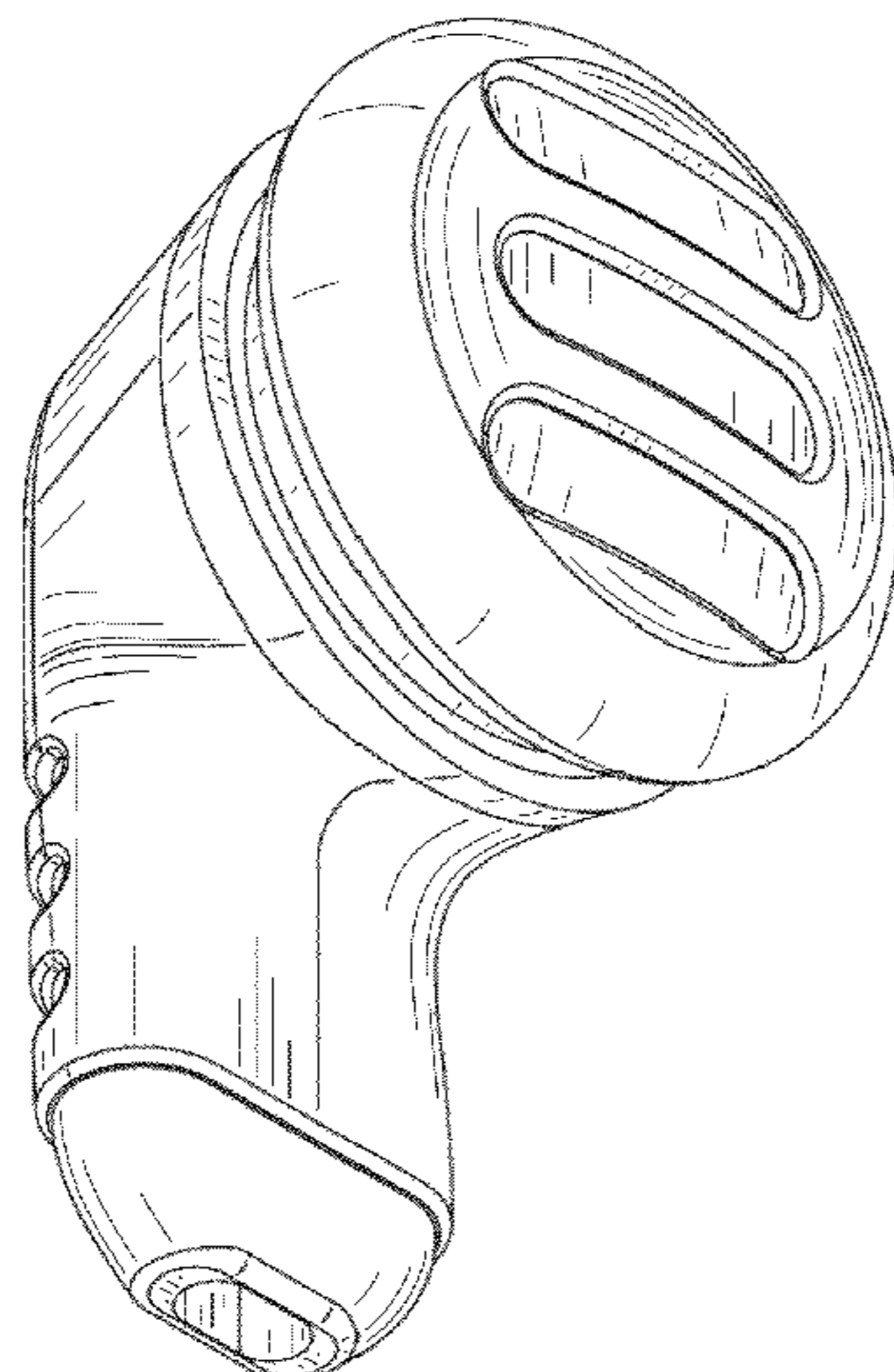
(57) **CLAIM**

The ornamental design for an earbud, as shown and described.

**DESCRIPTION**

FIG. 1 is a perspective view of an earbud in accordance with our new design;  
FIG. 2 is a front elevation view thereof;  
FIG. 3 is a rear elevation view thereof;  
FIG. 4 is a top plan view thereof;  
FIG. 5 is a bottom plan view thereof;  
FIG. 6 is a left side elevation view thereof; and,  
FIG. 7 is a right side elevation view thereof.

**1 Claim, 4 Drawing Sheets**



(56)

References Cited

U.S. PATENT DOCUMENTS

5,809,159 A \* 9/1998 Lee ..... 381/380  
 D405,528 S 2/1999 Shennib et al.  
 6,363,158 B1 3/2002 Lu  
 6,396,935 B1 5/2002 Makkonen  
 6,427,018 B1 7/2002 Keliiliki  
 D470,479 S 2/2003 Skulley et al.  
 D471,537 S 3/2003 Ham  
 D474,178 S 5/2003 Eroma  
 D478,991 S 8/2003 Dyer et al.  
 D479,226 S 9/2003 Beauregard, Jr.  
 D480,073 S 9/2003 Jensen et al.  
 D480,711 S 10/2003 Kuan  
 D485,548 S \* 1/2004 Obata ..... D14/223  
 6,688,421 B2 2/2004 Dyer et al.  
 6,690,807 B1 2/2004 Meyer  
 D497,613 S 10/2004 Gwee  
 D499,397 S \* 12/2004 Hlas et al. .... D14/223  
 D501,196 S 1/2005 Dyer et al.  
 D504,673 S 5/2005 Dyer et al.  
 D505,132 S 5/2005 Linville et al.  
 D506,462 S 6/2005 Han et al.  
 D510,337 S \* 10/2005 Tages ..... D14/205  
 D512,990 S \* 12/2005 Yang ..... D14/223  
 D514,094 S 1/2006 Griffin  
 D519,985 S 5/2006 Wikel et al.  
 7,106,877 B1 9/2006 Linville

D532,110 S 11/2006 Bailey et al.  
 D533,868 S \* 12/2006 Koizumi ..... D14/223  
 D543,968 S 6/2007 Wong  
 D554,109 S \* 10/2007 Ledbetter et al. .... D14/223  
 D574,361 S 8/2008 Sasaki  
 D575,772 S 8/2008 Schultz et al.  
 D583,804 S \* 12/2008 Mahler et al. .... D14/223  
 D585,881 S 2/2009 Nam et al.  
 D589,152 S 3/2009 Champkins  
 D589,945 S 4/2009 Esses  
 D593,077 S 5/2009 Williams et al.  
 D593,537 S 6/2009 Arimoto  
 D597,069 S 7/2009 Wengreen  
 D601,134 S 9/2009 Elabidi et al.  
 D618,218 S 6/2010 Burgett et al.  
 D618,219 S 6/2010 Burgett et al.  
 D622,705 S 8/2010 Fahrendorff et al.  
 D639,787 S 6/2011 Quek  
 D643,418 S 8/2011 Lee et al.  
 D645,455 S 9/2011 Manhard et al.  
 D654,057 S 2/2012 Burgett et al.  
 8,111,863 B2 2/2012 Oliveira et al.  
 8,111,864 B2 2/2012 Oliveira et al.  
 D656,481 S \* 3/2012 McManigal ..... D14/205  
 8,208,661 B2 \* 6/2012 Jiang et al. .... 381/164  
 D673,530 S 1/2013 Feng et al.  
 D678,868 S 3/2013 Feng et al.  
 2013/0188804 A1 7/2013 Burgett

\* cited by examiner

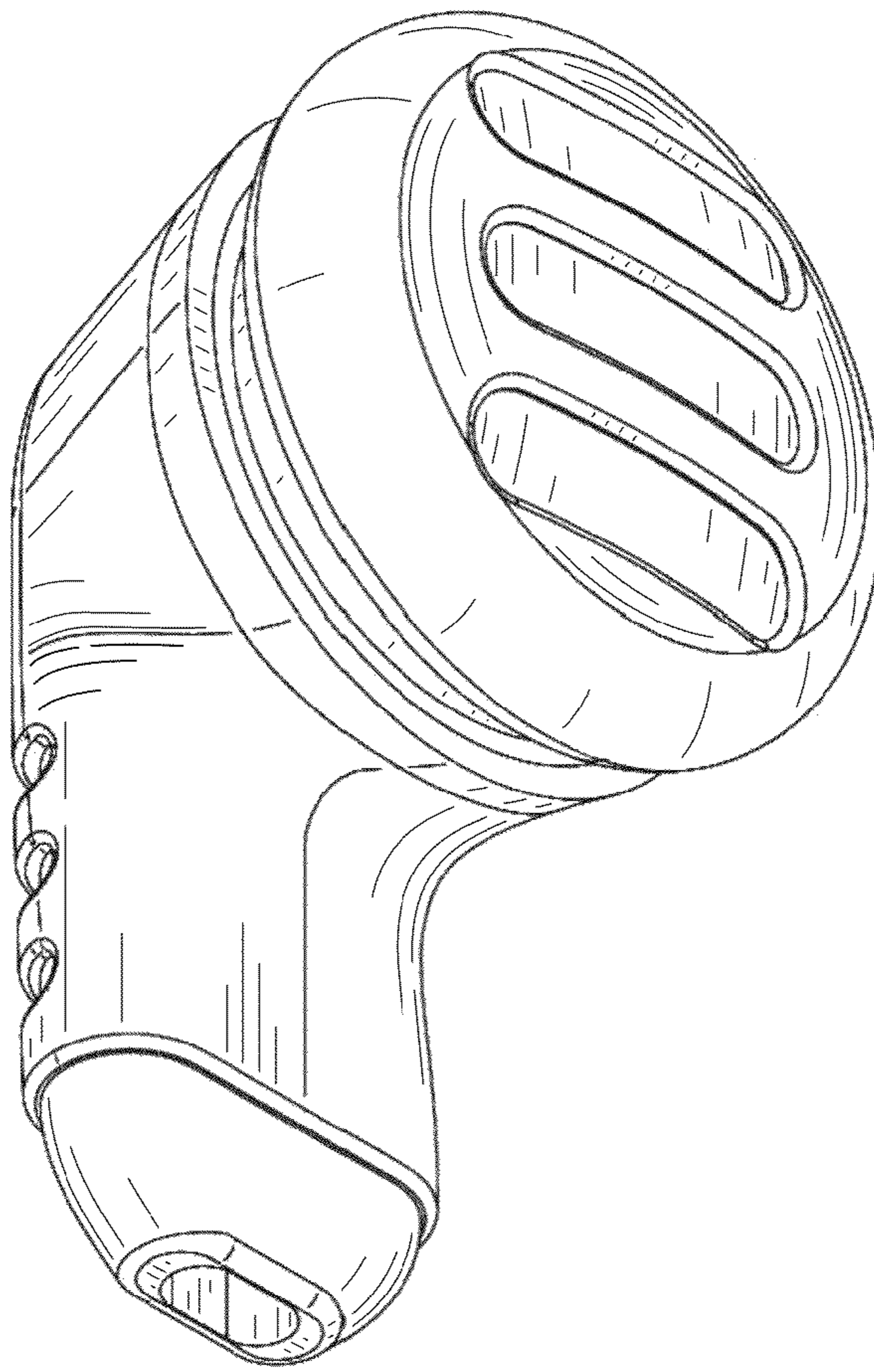


Fig. 1

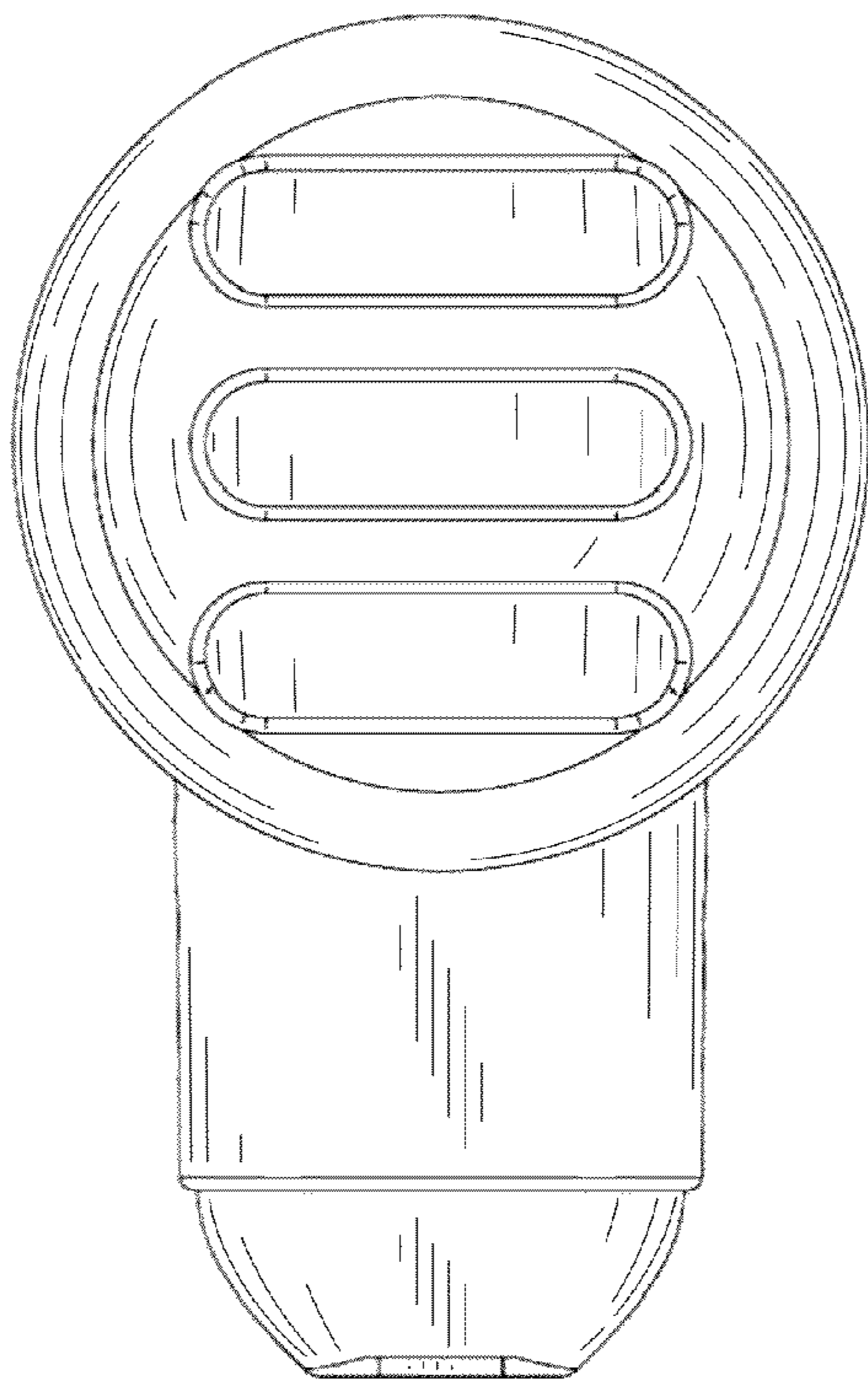


Fig. 2

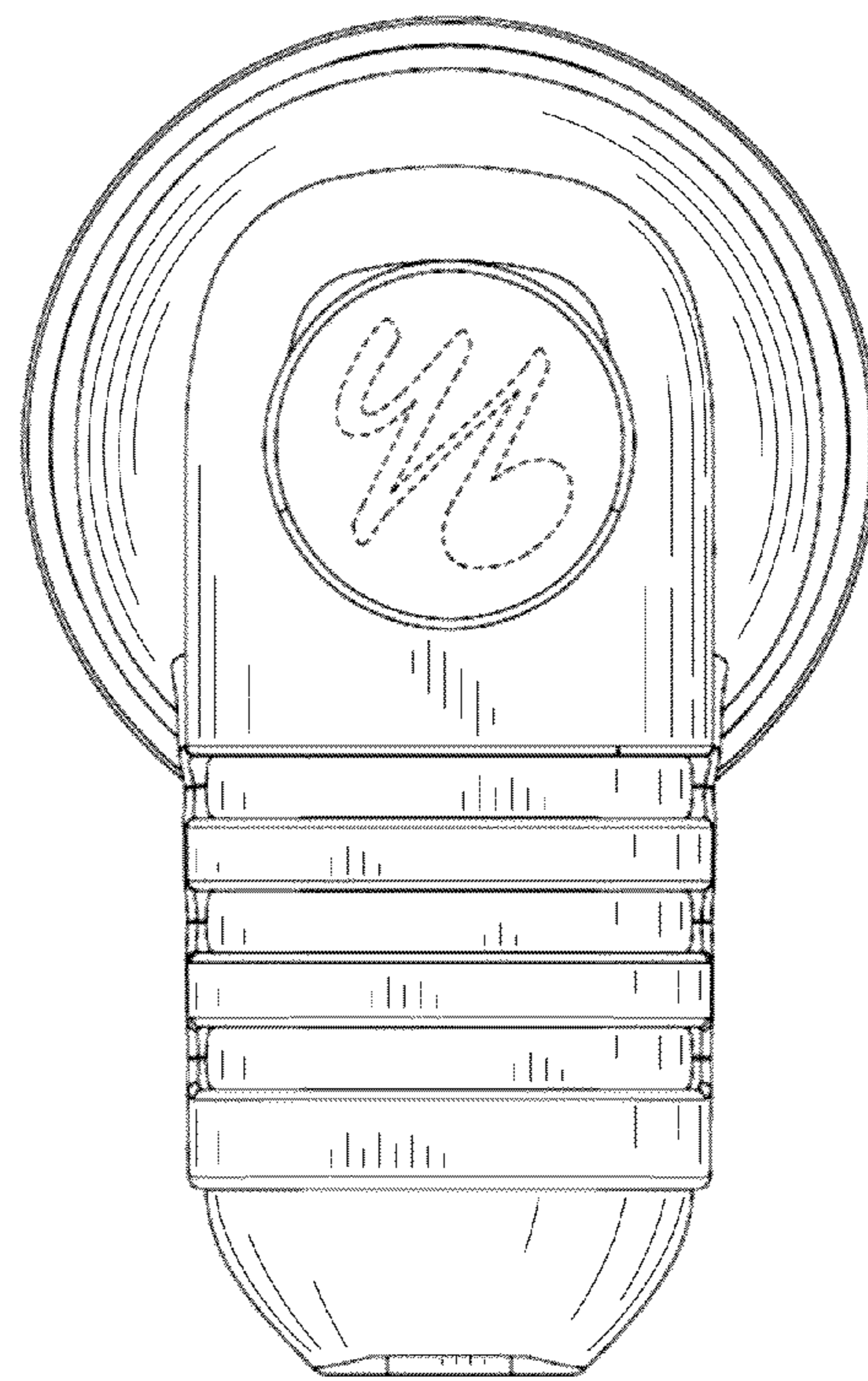


Fig. 3

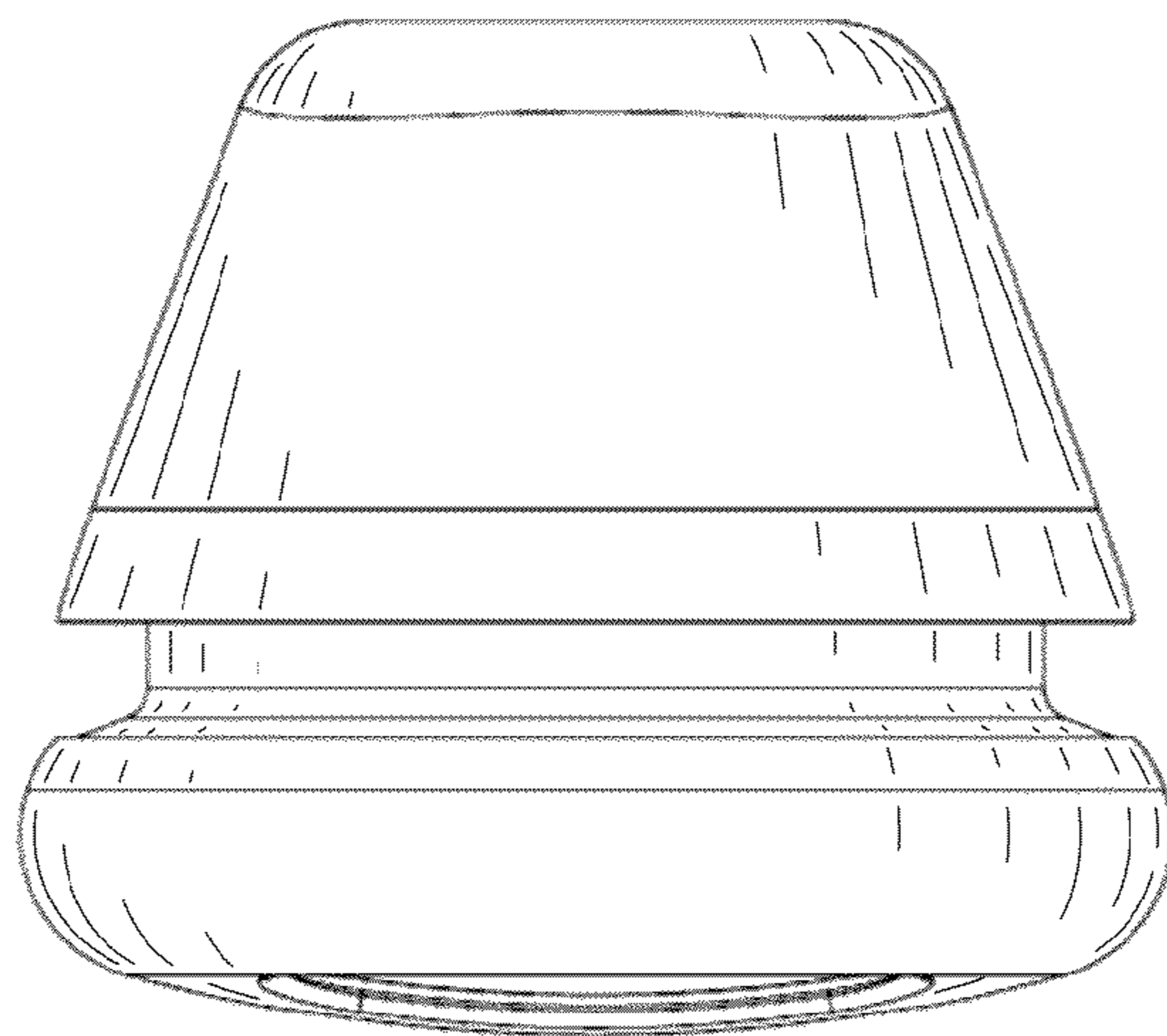


Fig. 4

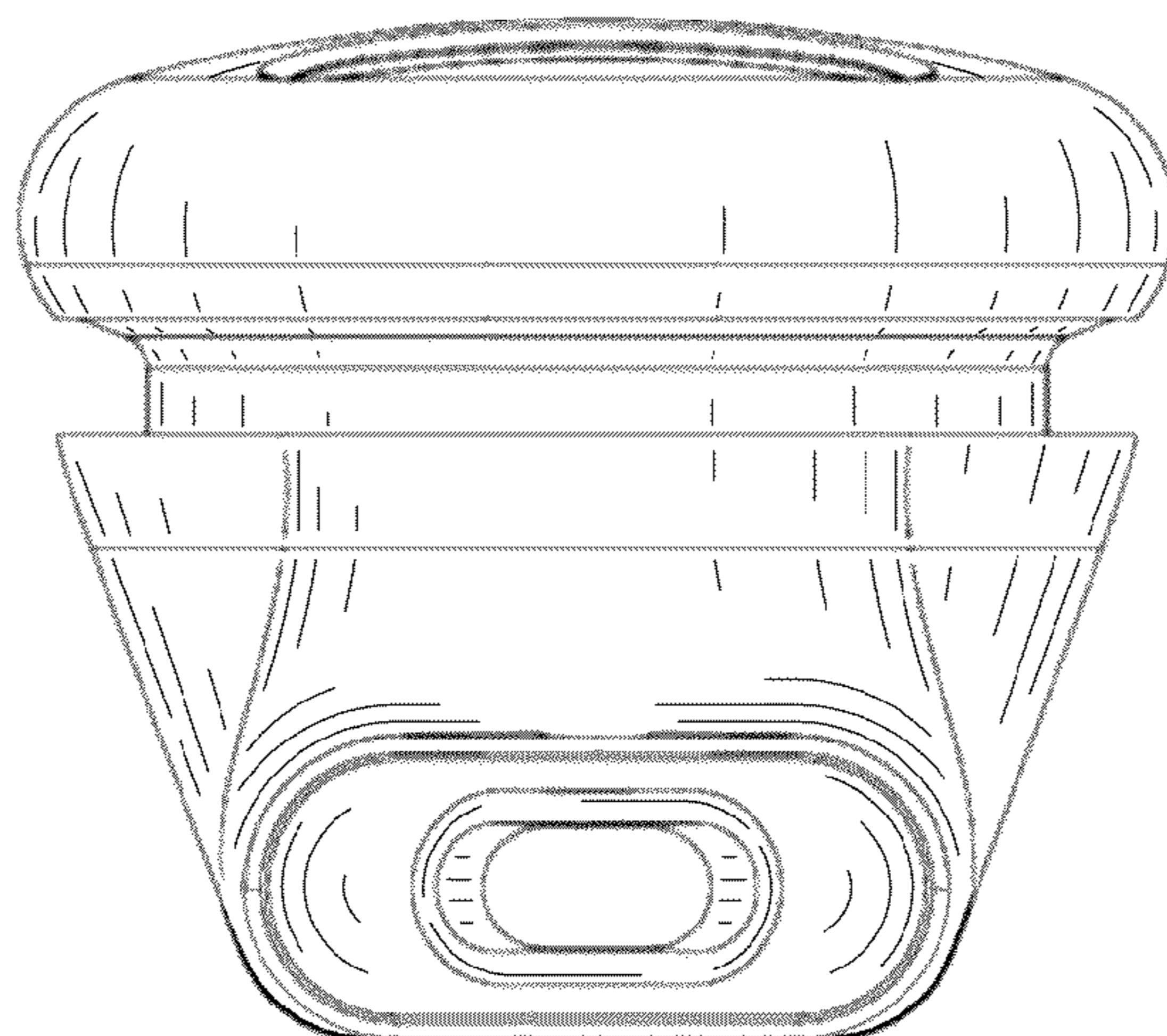


Fig. 5

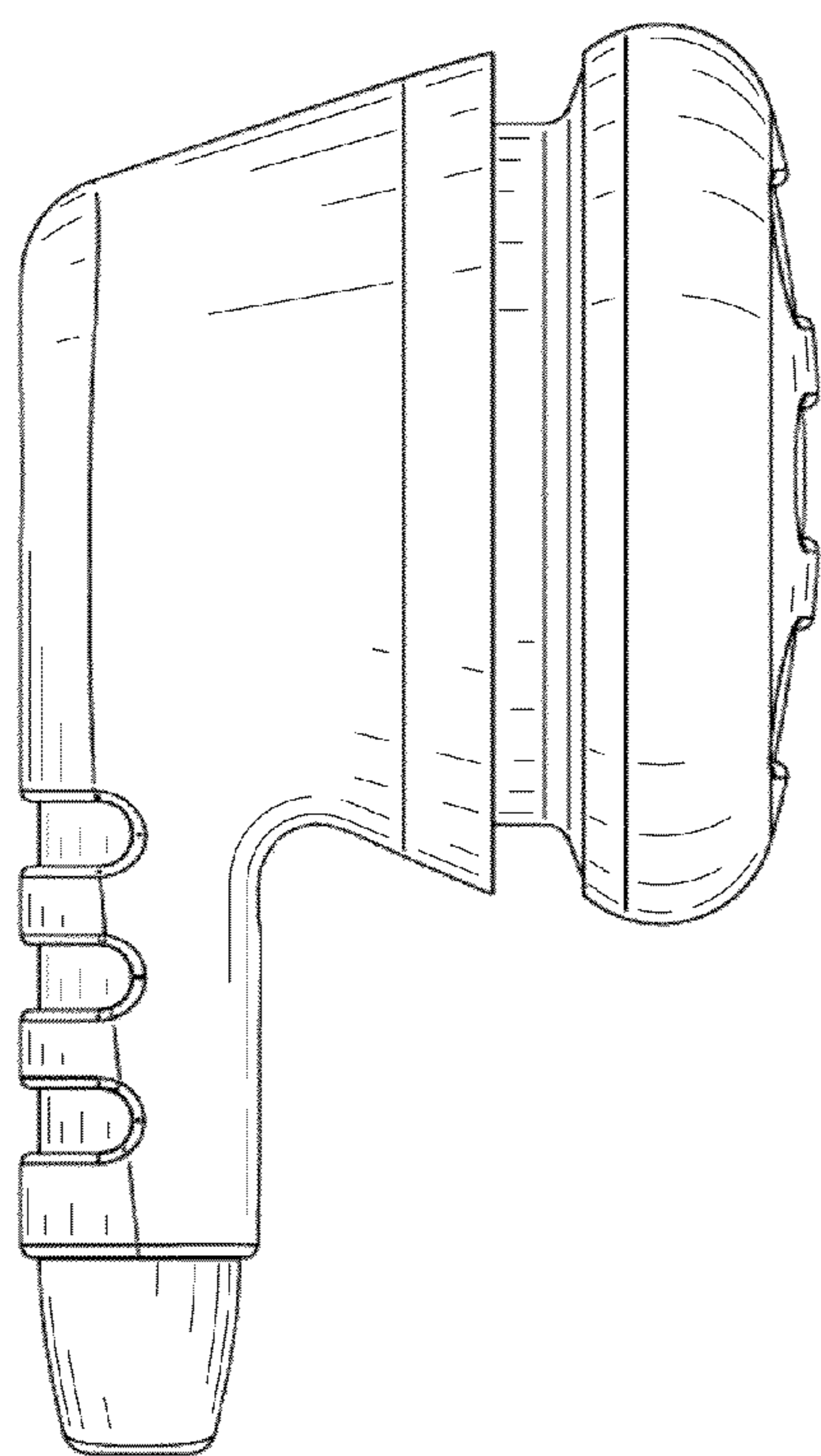


Fig. 6

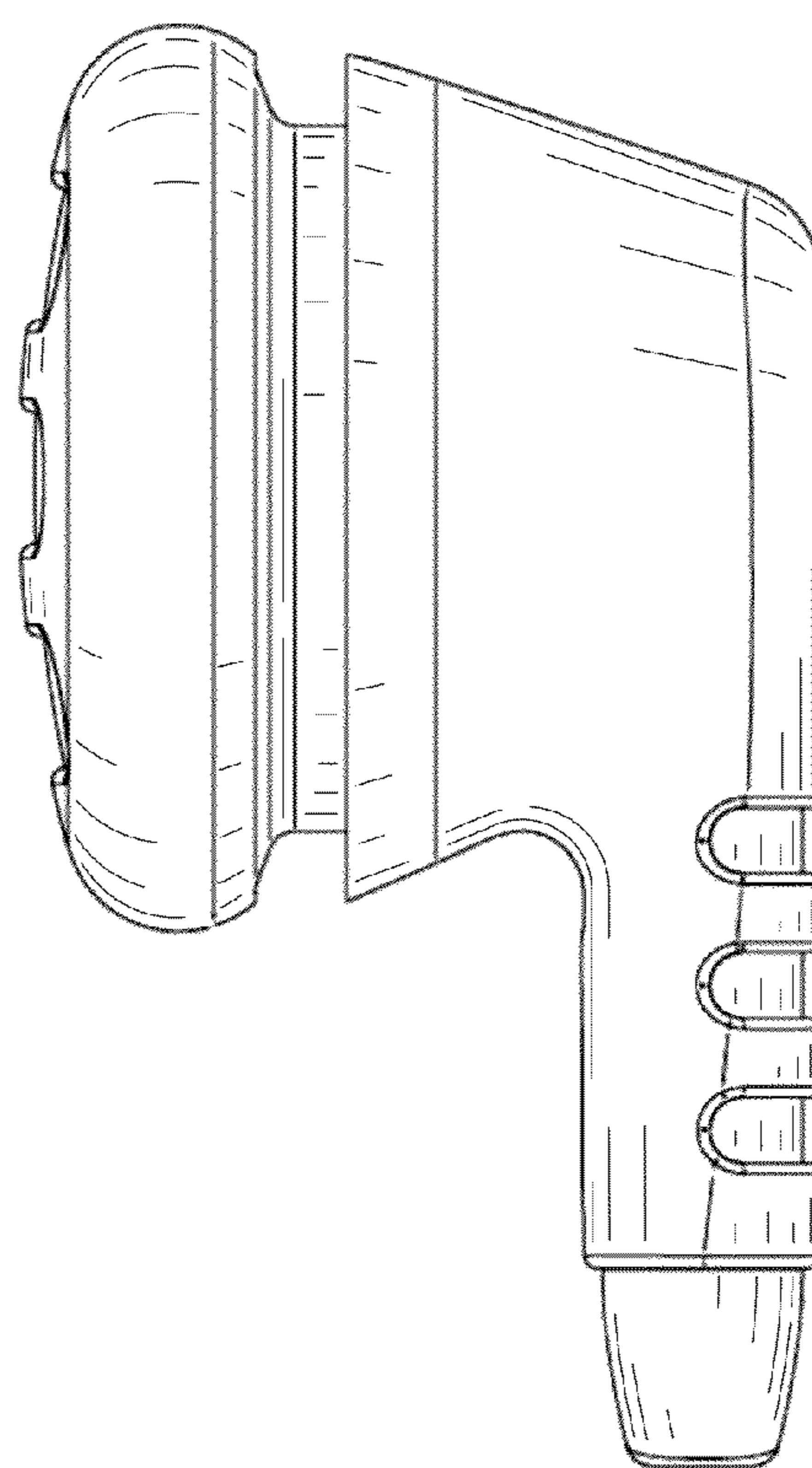


Fig. 7