



US00D716769S

(12) **United States Design Patent**
Lee et al.

(10) **Patent No.:** **US D716,769 S**
(45) **Date of Patent:** **** *Nov. 4, 2014**

(54) **HEADPHONE**

(75) Inventors: **Noel Lee**, Las Vegas, NV (US); **Jacky Hsiung**, San Jose, CA (US); **Minki Bang**, Daly City, CA (US)

(73) Assignee: **Monster, LLC**, Las Vegas, NV (US)

(*) Notice: This patent is subject to a terminal disclaimer.

(**) Term: **14 Years**

(21) Appl. No.: **29/400,874**

(22) Filed: **Sep. 1, 2011**

(51) **LOC (10) Cl.** **14-01**

(52) **U.S. Cl.**
USPC **D14/223**

(58) **Field of Classification Search**
CPC H04R 1/10
USPC D14/205, 223; 181/129, 130, 135;
379/430, 431; 381/380, 381; 455/90.3,
455/575.1
See application file for complete search history.

D599,781 S 9/2009 Lee et al.
D600,675 S 9/2009 Lee et al.
D604,272 S * 11/2009 Kitayama D14/223
D618,672 S * 6/2010 Harbeke et al. D14/223
D623,629 S * 9/2010 Lau D14/223
D637,182 S 5/2011 Lee et al.
D641,008 S 7/2011 Lee et al.
D642,163 S 7/2011 Lee et al.
D643,417 S * 8/2011 Lee et al. D14/223
D643,418 S 8/2011 Lee et al.
D643,833 S 8/2011 Lee et al.
D652,821 S * 1/2012 Lee et al. D14/223
D666,996 S * 9/2012 Hardi et al. D14/223
D673,531 S * 1/2013 Lee et al. D14/223
D673,532 S * 1/2013 Lee D14/223
D685,350 S * 7/2013 Mogili D14/223
D685,770 S * 7/2013 Lee et al. D14/223
D686,597 S * 7/2013 Lee et al. D14/223
D689,471 S * 9/2013 Hardi et al. D14/223
D701,195 S * 3/2014 Katsumata D14/223

* cited by examiner

Primary Examiner — Paula Greene

(74) Attorney, Agent, or Firm — John Nielsen; Sentinel IP

(57) **CLAIM**

The ornamental design for a headphone, as shown and described.

(56) **References Cited**

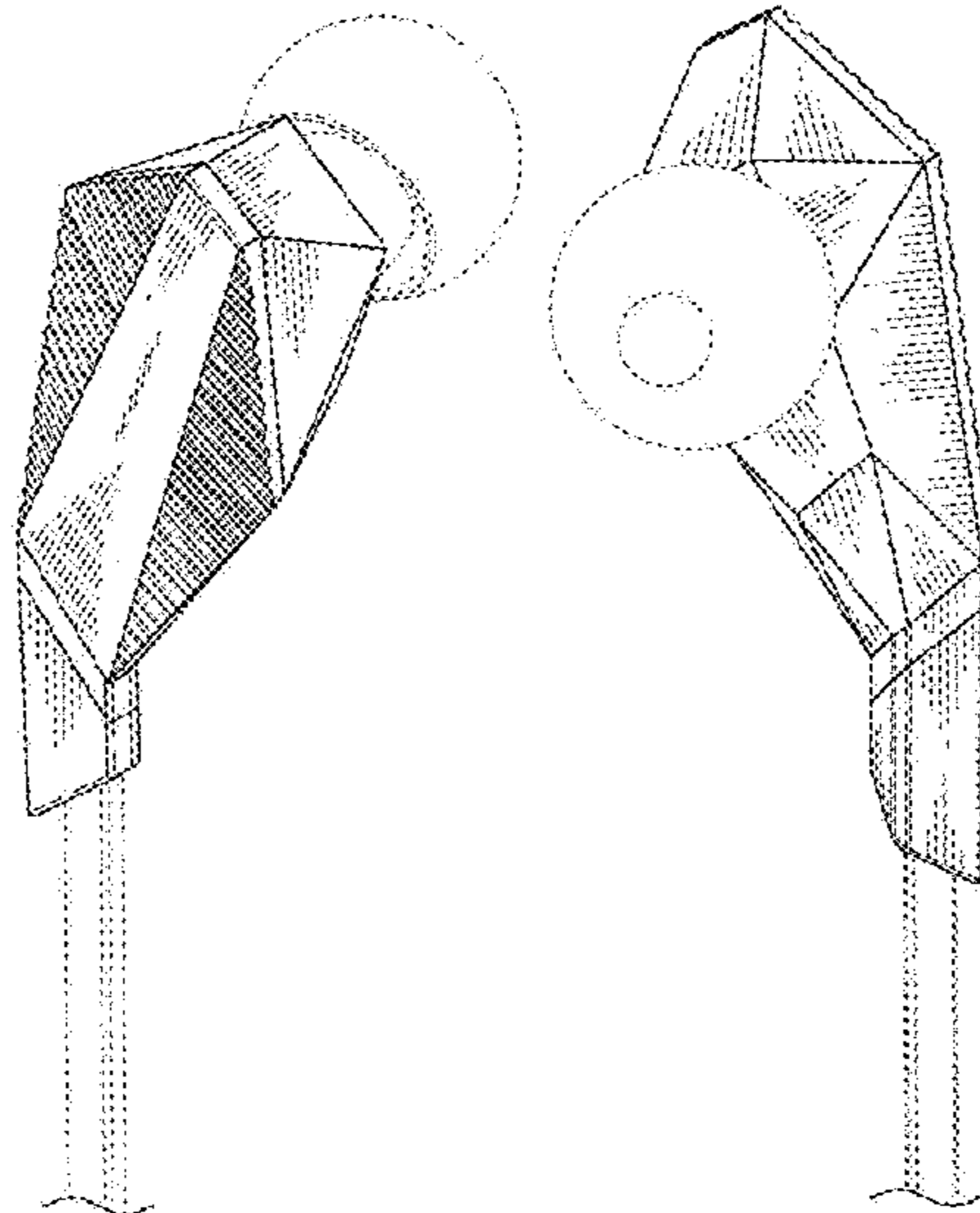
U.S. PATENT DOCUMENTS

D315,350 S * 3/1991 Ikeda D14/223
D351,392 S * 10/1994 Bridges D14/226
D485,548 S * 1/2004 Obata D14/223
D510,337 S * 10/2005 Tages D14/205
D517,054 S * 3/2006 Yang D14/223
D519,109 S * 4/2006 Perszyk et al. D14/223
D538,784 S * 3/2007 Eklund D14/205
D566,687 S * 4/2008 Duarte et al. D14/205
7,362,876 B2 * 4/2008 Tsai 381/380
D578,517 S * 10/2008 Pausch D14/223
D579,923 S * 11/2008 Andre et al. D14/223
7,447,308 B2 * 11/2008 Tsai 379/430
D594,441 S 6/2009 Lee et al.
D598,901 S 8/2009 Lee et al.

DESCRIPTION

FIG. 1 is a perspective view of a headphone, showing our design;
FIG. 2 is an opposing perspective view thereof;
FIG. 3 is front view thereof;
FIG. 4 is a rear view thereof;
FIG. 5 is a side view thereof;
FIG. 6 is an opposing side view thereof;
FIG. 7 is a top view thereof; and,
FIG. 8 is a bottom view thereof.
The broken lines showing the environment are for illustrative purposes only and form no part of the claimed design.

1 Claim, 4 Drawing Sheets



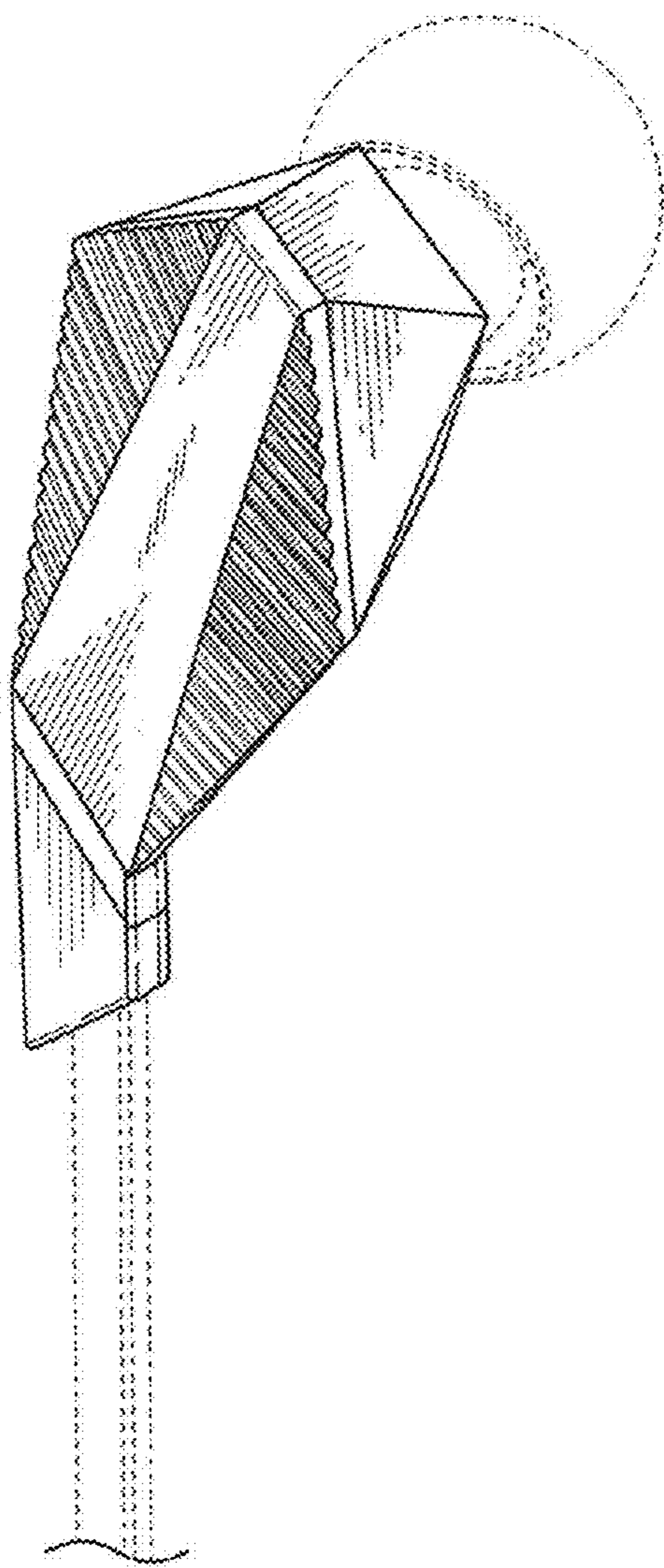


FIG. 1

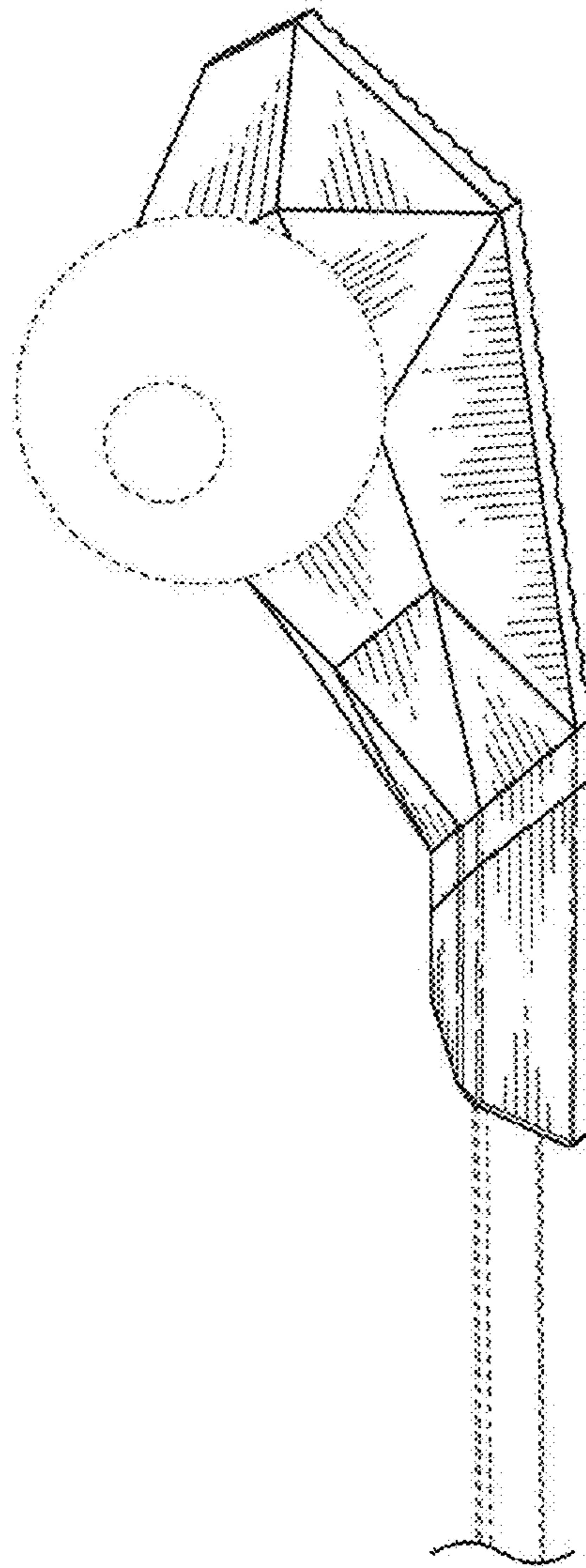


FIG. 2

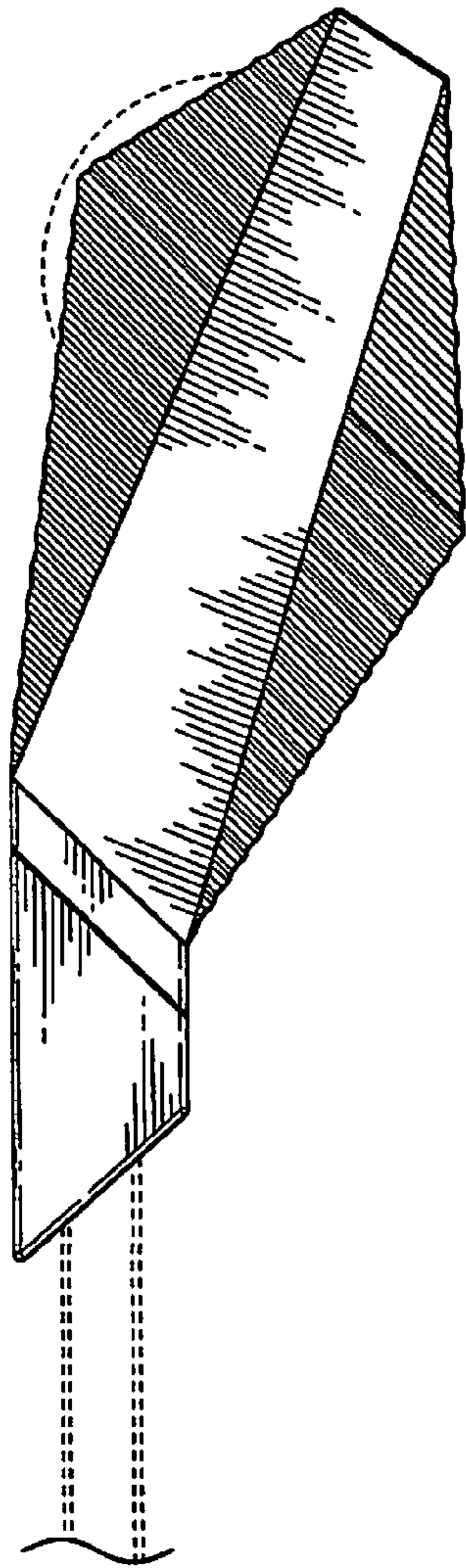


FIG. 3

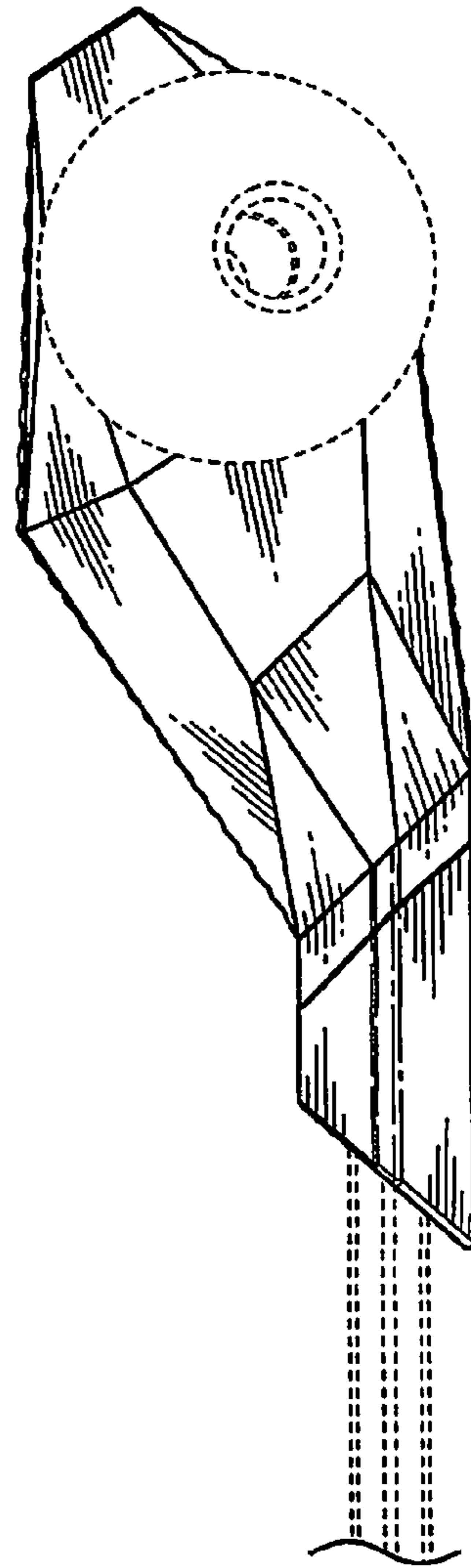


FIG. 4

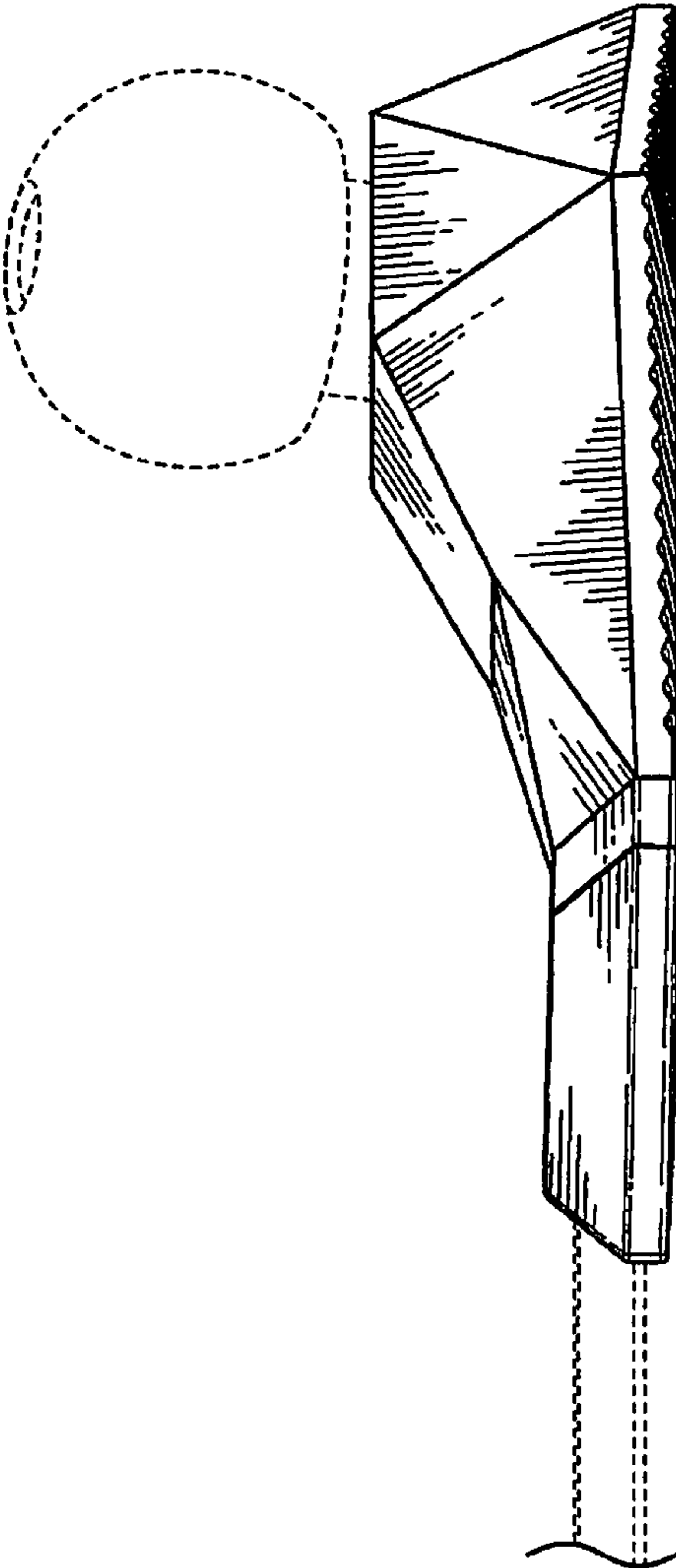


FIG. 5

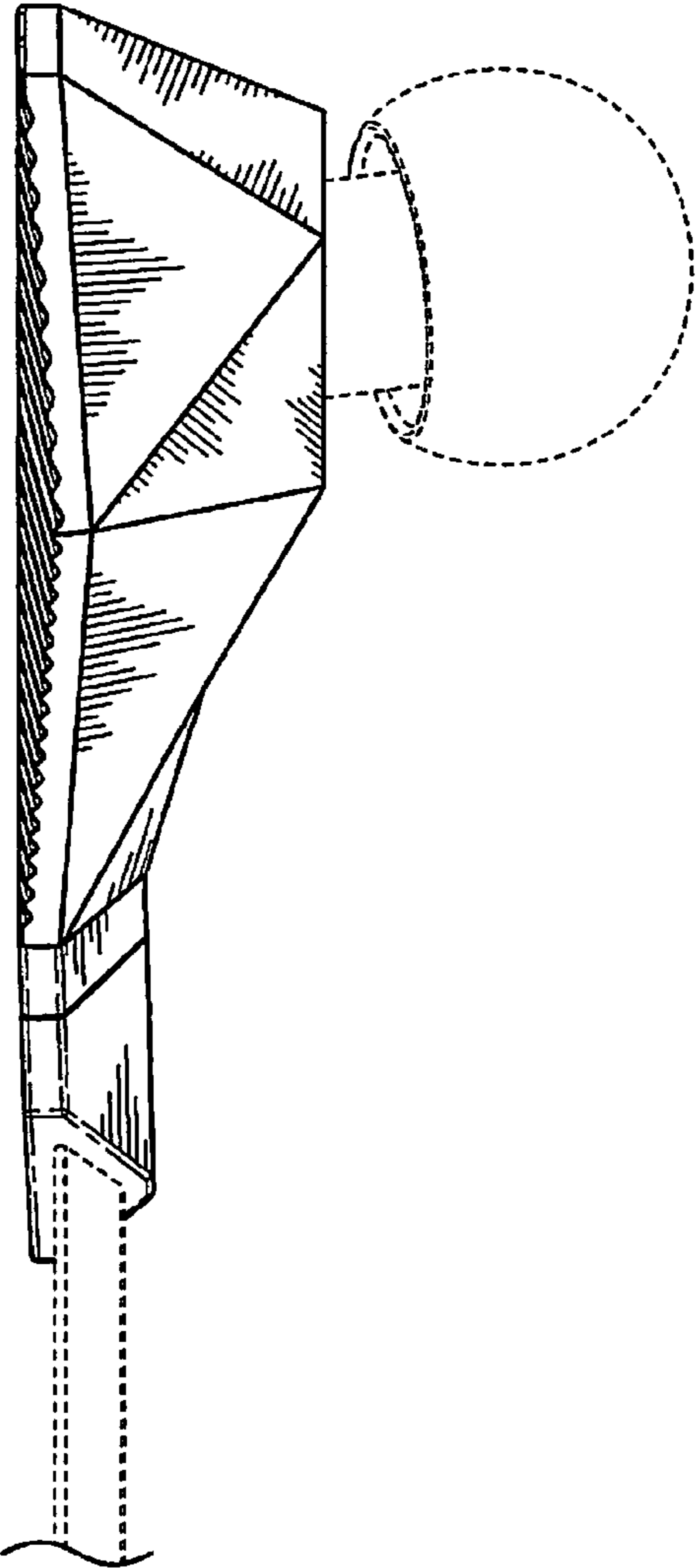


FIG. 6

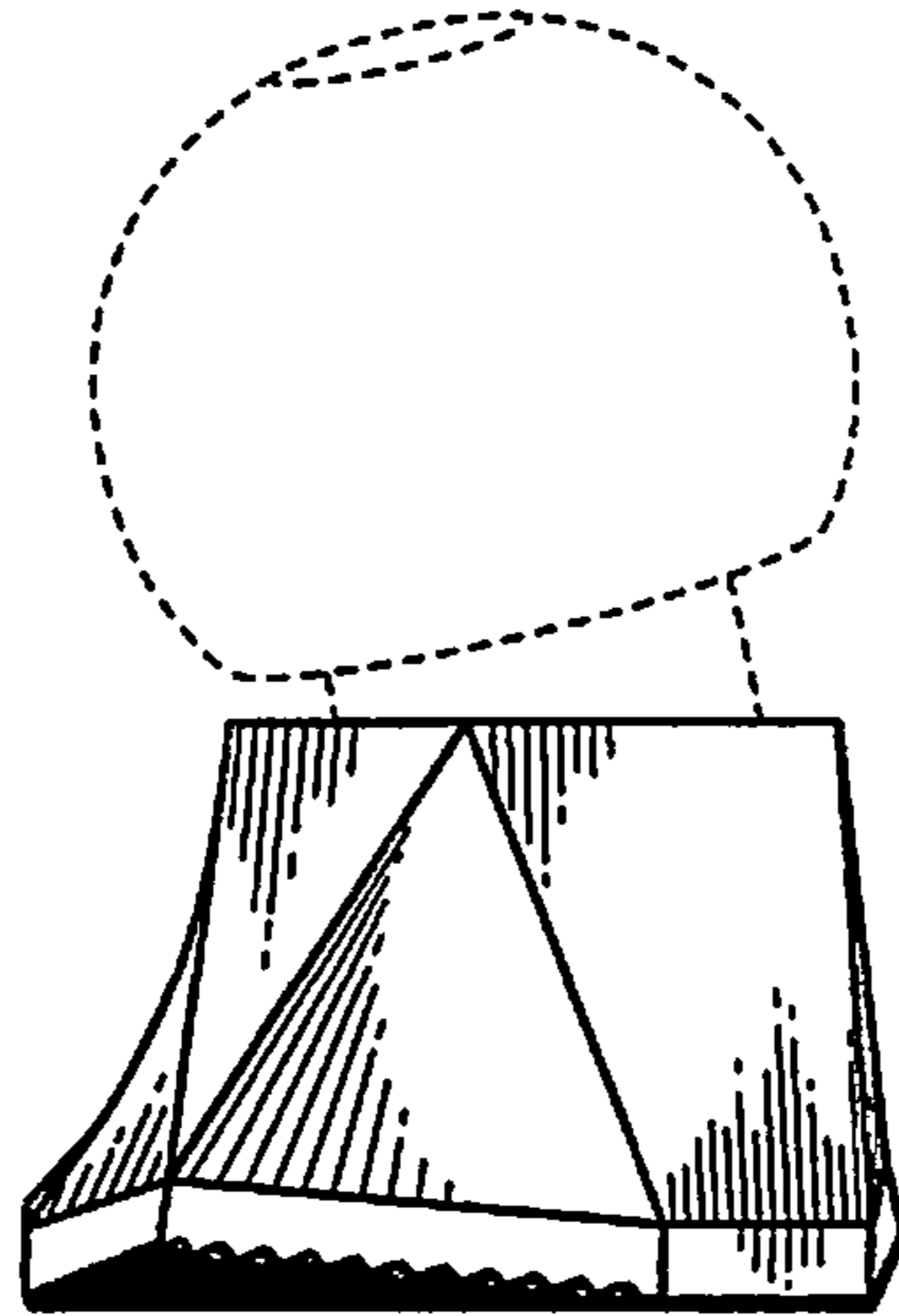


FIG. 7

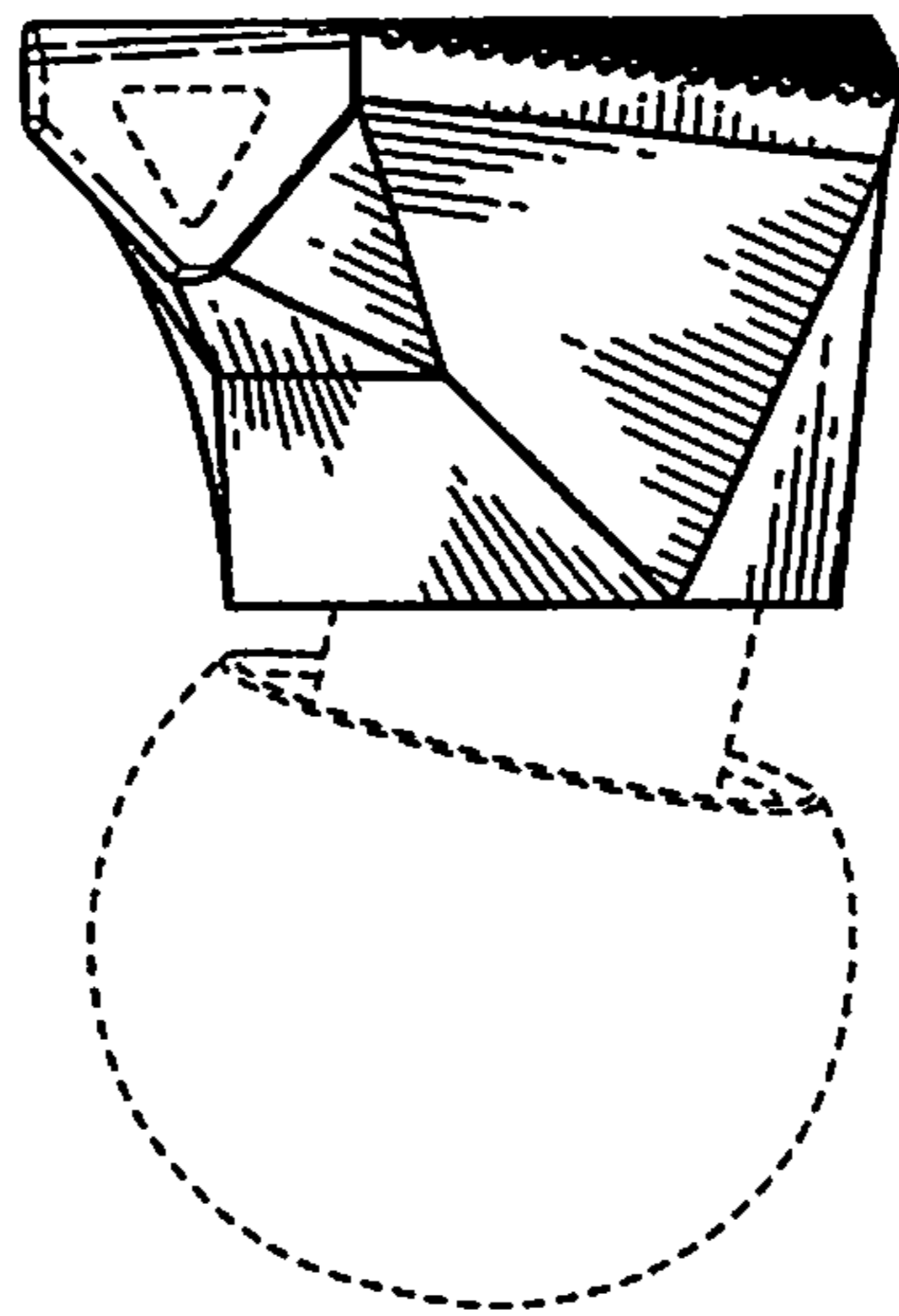


FIG. 8