



US00D716765S

(12) **United States Design Patent**  
**Kim et al.**

(10) **Patent No.:** **US D716,765 S**

(45) **Date of Patent:** **\*\* Nov. 4, 2014**

(54) **SPEAKER FOR HOME THEATER**

(75) Inventors: **Kyungmin Kim**, Seoul (KR); **Yongsoo Kim**, Seoul (KR); **Sooyoung Park**, Seoul (KR); **Hongyoul Choi**, Seoul (KR); **Gangho Woo**, Seoul (KR); **Taeho Kim**, Seoul (KR)

(73) Assignee: **LG Electronics Inc.**, Seoul (KR)

(\*\*) Term: **14 Years**

(21) Appl. No.: **29/408,839**

(22) Filed: **Dec. 16, 2011**

(30) **Foreign Application Priority Data**

Jun. 29, 2011 (KR) ..... 30-2011-0026940

(51) **LOC (10) Cl.** ..... **14-03**

(52) **U.S. Cl.**  
USPC ..... **D14/215**

(58) **Field of Classification Search**  
USPC ..... D14/167, 168, 170–172, 188, 194–196, D14/204, 207, 209.1, 210–216, 221, 222; 181/143, 144, 147, 148, 150, 153, 157, 181/198, 199; 381/300–303, 306, 332, 333, 381/336, 345, 361–364, 386–388; D13/107, 108; 455/344–351; 369/6–12

See application file for complete search history.

(56) **References Cited**

U.S. PATENT DOCUMENTS

5,937,074 A *	8/1999	Carver .....	381/395
D624,048 S *	9/2010	Kim .....	D14/215
D664,122 S *	7/2012	Cho et al. ....	D14/215
D671,527 S *	11/2012	Lee et al. ....	D14/215
D675,598 S *	2/2013	Paddock .....	D14/215
D680,097 S *	4/2013	Davies et al. ....	D14/215
D691,115 S *	10/2013	Silvera .....	D14/215

\* cited by examiner

*Primary Examiner* — Keli L Hill

(74) *Attorney, Agent, or Firm* — Morgan, Lewis & Bockius LLP

(57) **CLAIM**

The ornamental design for a speaker for home theater, as shown and described.

**DESCRIPTION**

FIG. 1 is a front, left side, perspective view of a speaker for home theater showing our new design; FIG. 2 is a front view thereof; FIG. 3 is a rear view thereof; FIG. 4 is a left side view thereof; FIG. 5 is a right side view thereof; FIG. 6 is a top view; and, FIG. 7 is a bottom view thereof. The broken lines shown in the drawings represent unclaimed portions of the speaker for home theater and form no part of the claimed design.

**1 Claim, 4 Drawing Sheets**

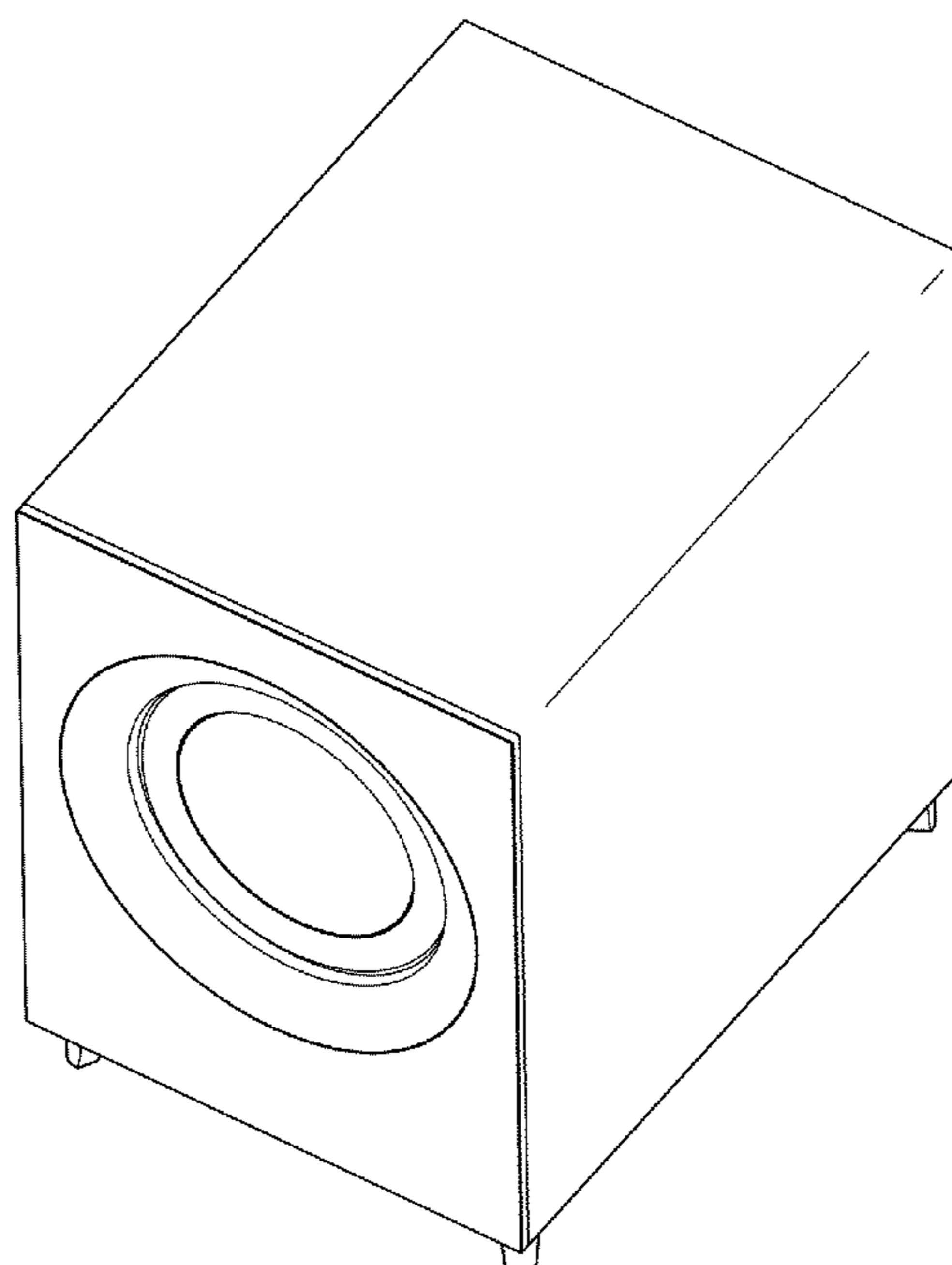


FIG. 1

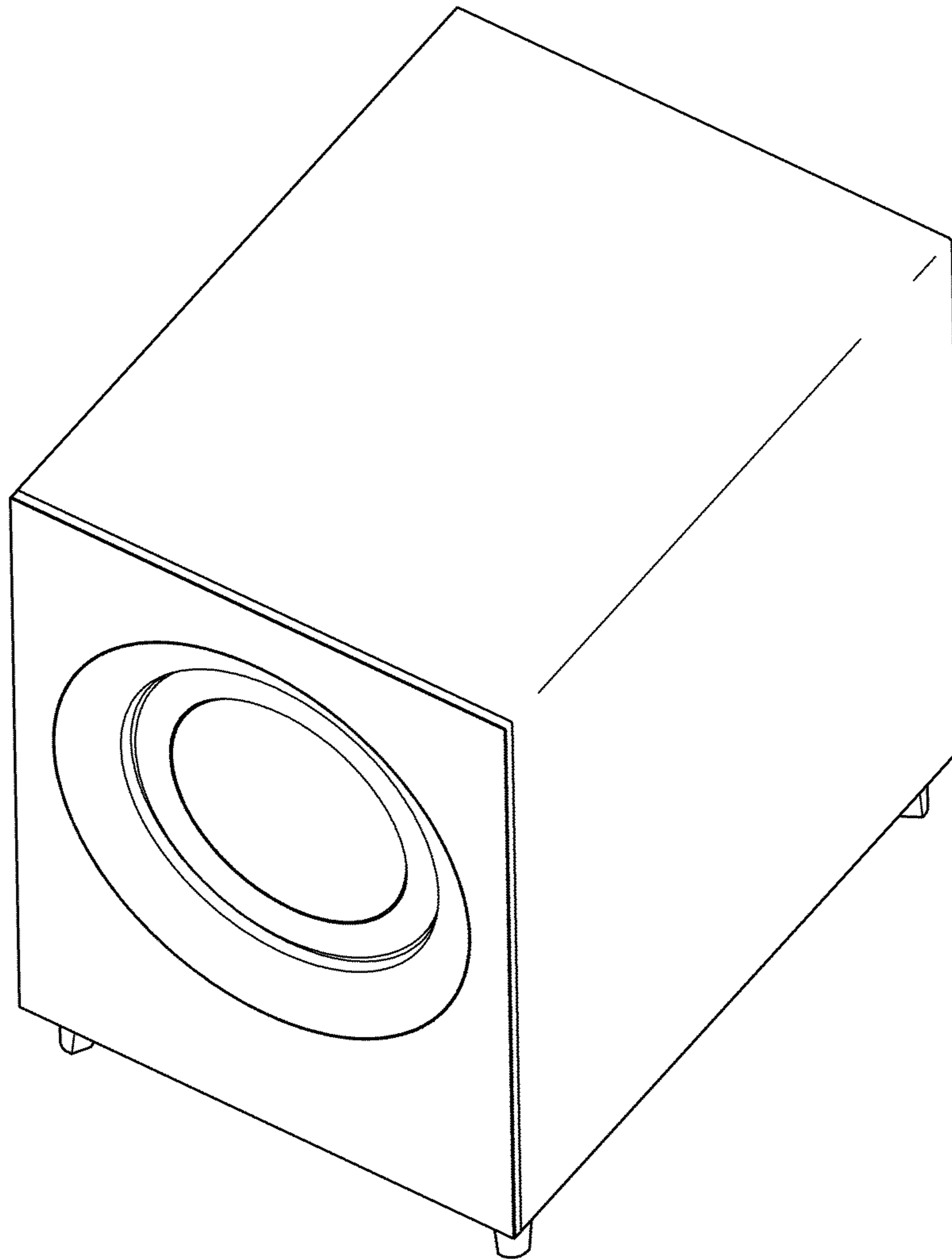


FIG. 2

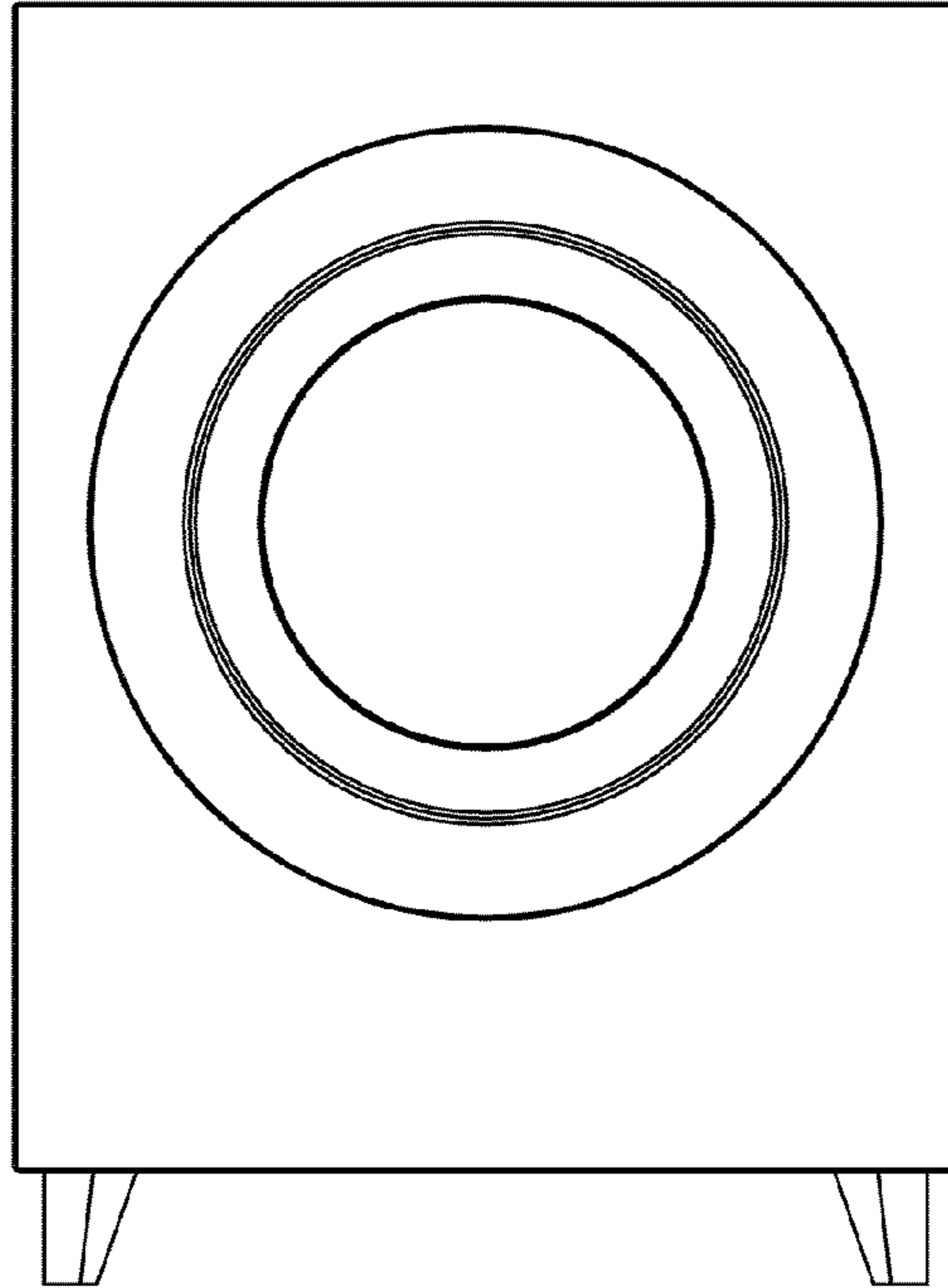


FIG. 3

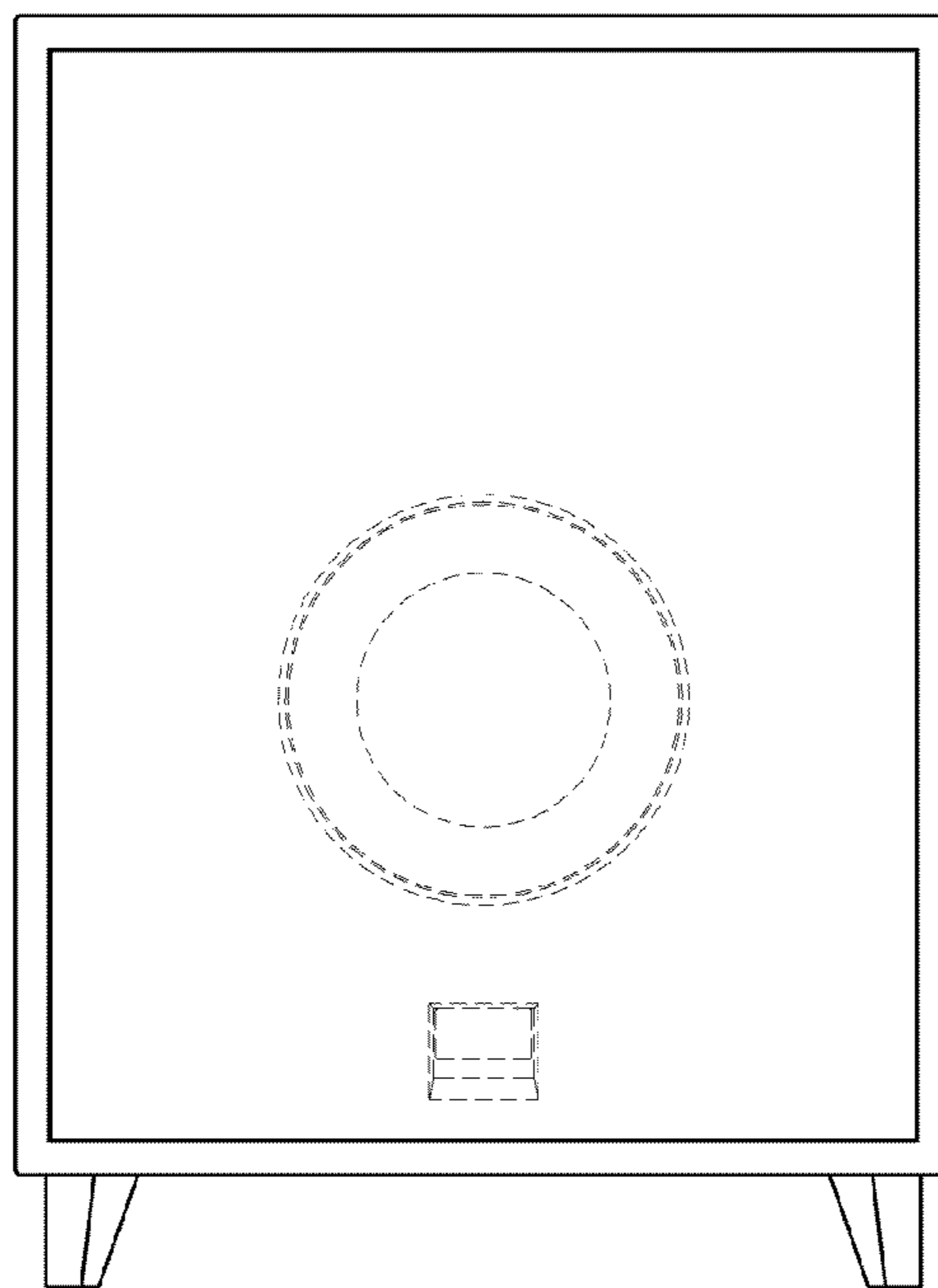


FIG. 4

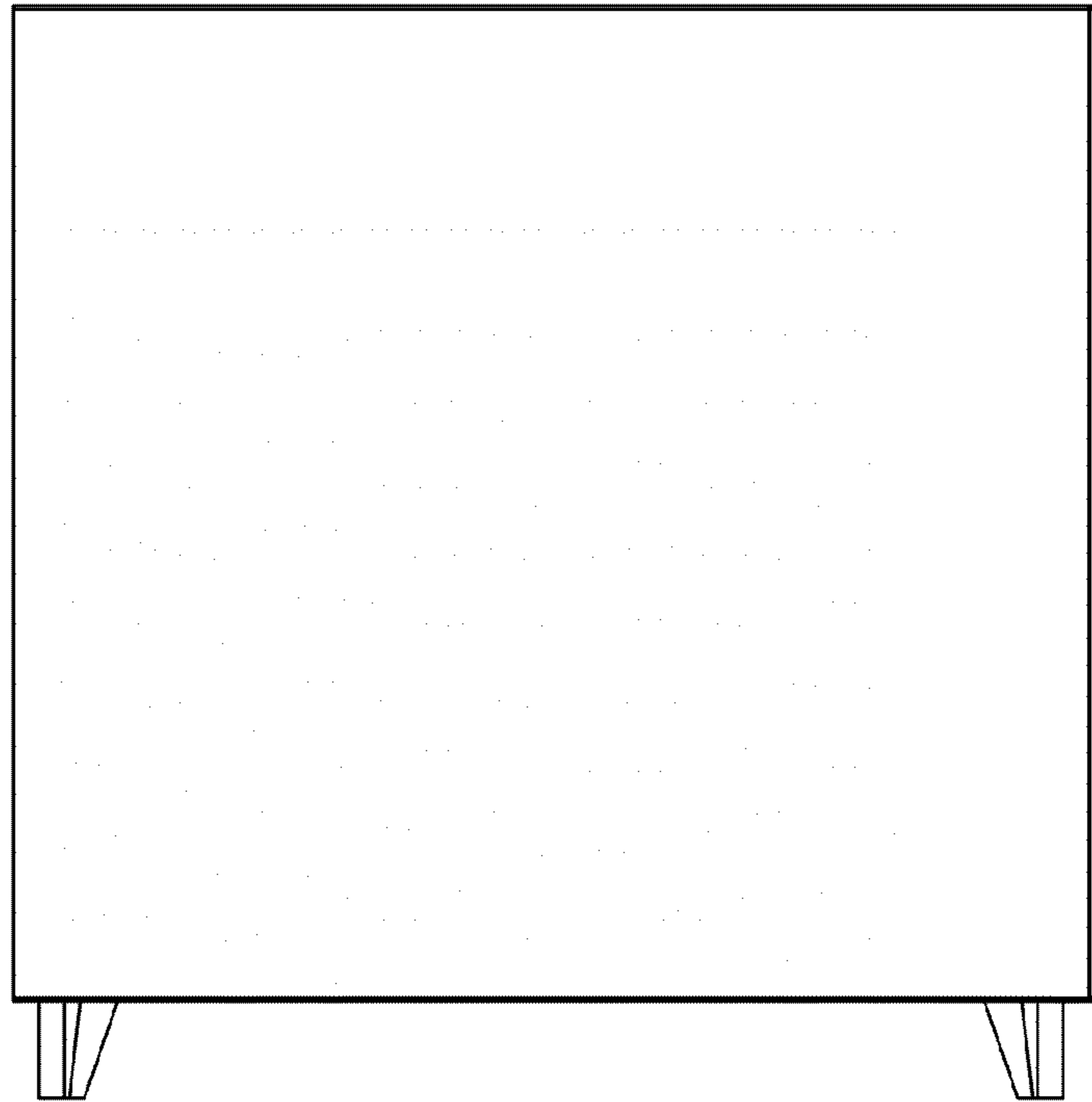


FIG. 5

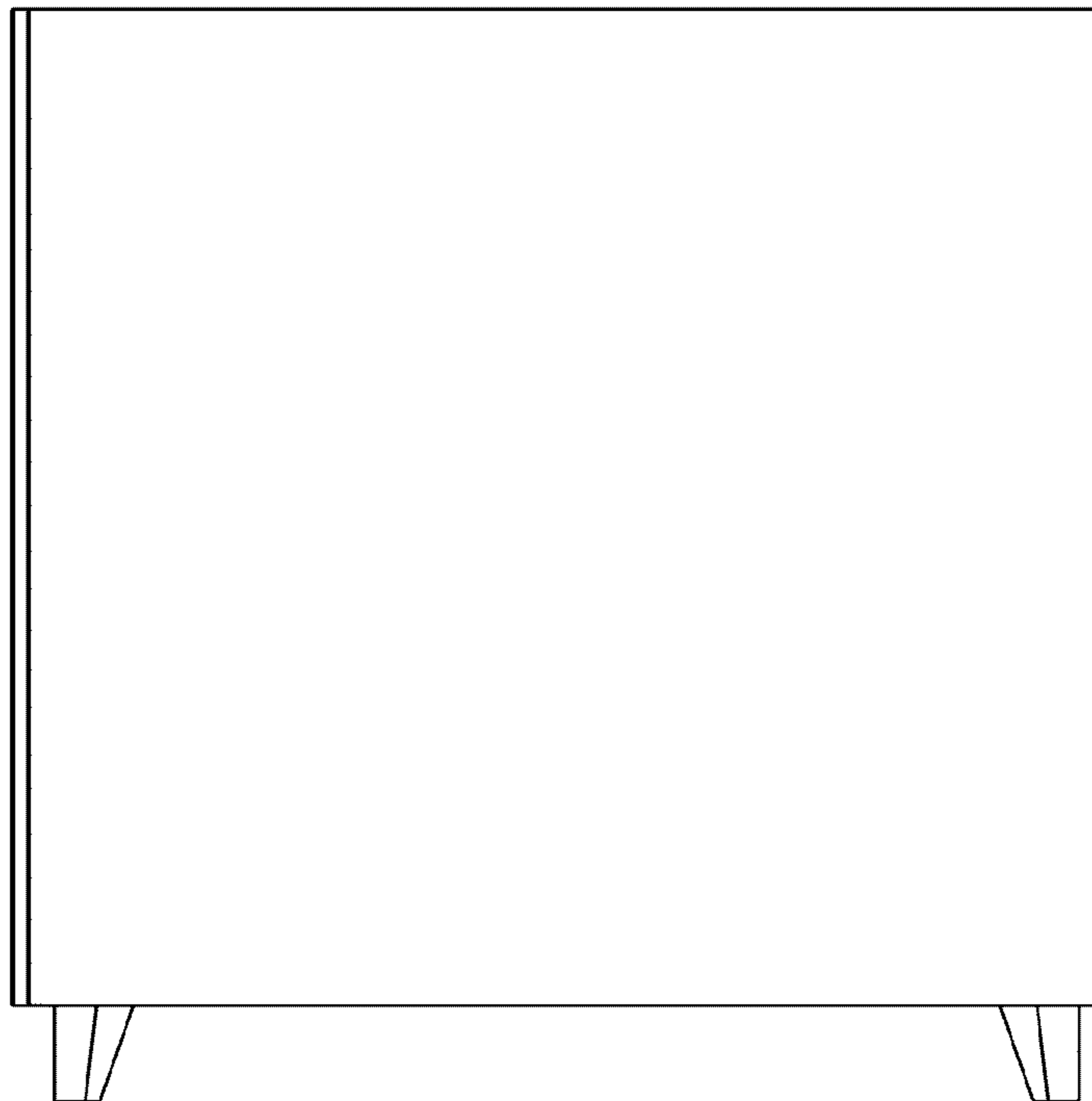


FIG. 6

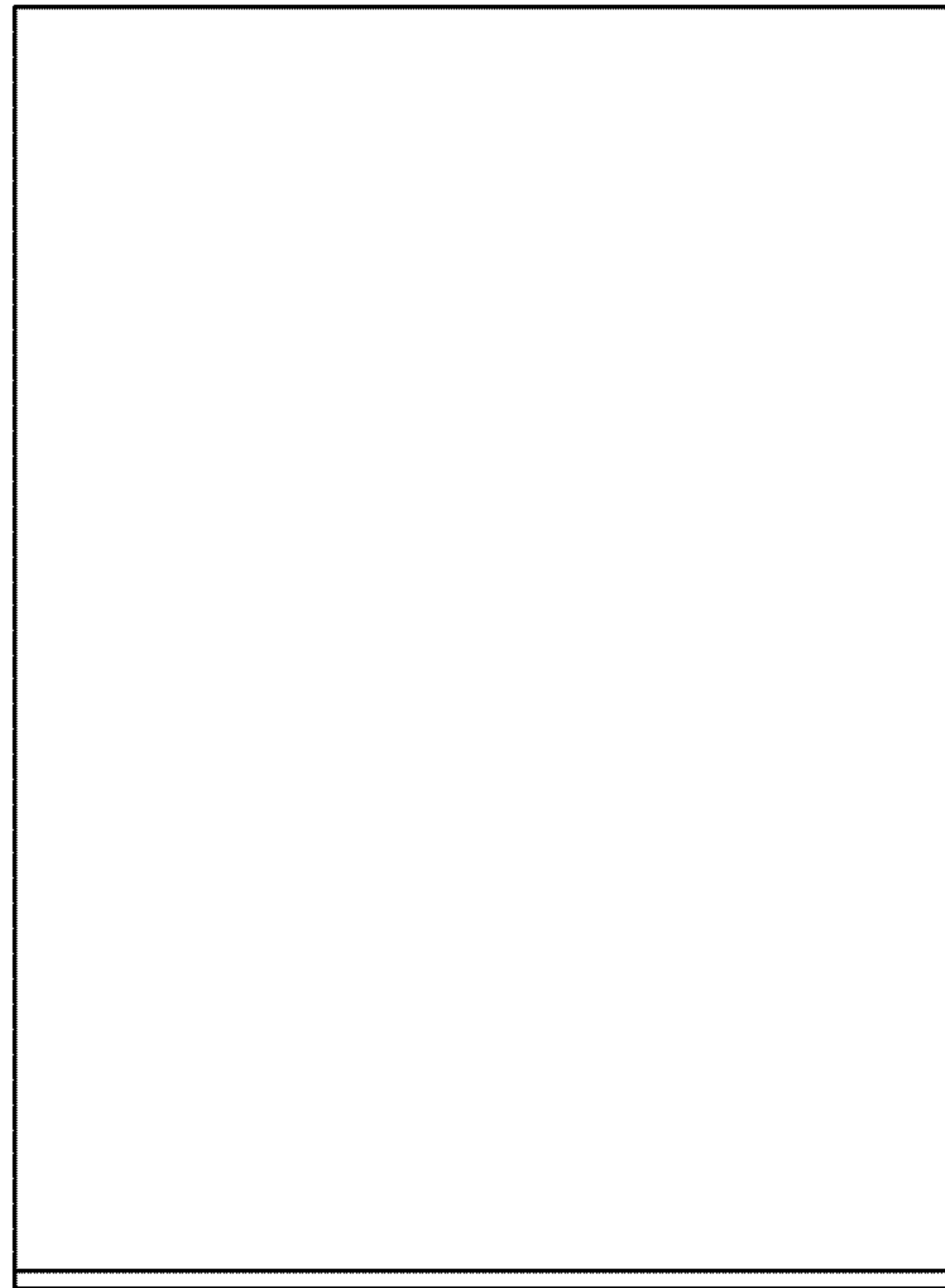


FIG. 7

