



US00D716763S

(12) **United States Design Patent**
Niho et al.

(10) **Patent No.:** **US D716,763 S**
(45) **Date of Patent:** **** Nov. 4, 2014**

(54) **DESKTOP HOLDER FOR PORTABLE
TERMINAL**

(71) Applicant: **Hosiden Corporation**, Yao (JP)

(72) Inventors: **Hiroki Niho**, Yao (JP); **Shinichi Saeki**,
Yao (JP)

(73) Assignee: **Hosiden Corporation**, Yao-Shi (JP)

(**) Term: **14 Years**

(21) Appl. No.: **29/466,587**

(22) Filed: **Sep. 10, 2013**

(30) **Foreign Application Priority Data**

Mar. 13, 2013 (JP) 2013-005507

(51) **LOC (10) Cl.** **14-01**

(52) **U.S. Cl.**
USPC **D14/209.1**

(58) **Field of Classification Search**
USPC D14/204, 204.1, 210–216, 172, 434,
D14/265, 209.1; 181/143, 144, 147, 148,
181/150–153, 157, 198, 199; 381/300–306,
381/332, 333, 336, 345, 361–364
See application file for complete search history.

(56) **References Cited**

U.S. PATENT DOCUMENTS

5,598,921 A * 2/1997 Hunt 206/214
5,875,912 A * 3/1999 Hobson 220/4.03

D495,336 S * 8/2004 Andre et al. D14/434
6,785,567 B2 * 8/2004 Kato 455/575.9
D520,014 S * 5/2006 Harris et al. D14/434
7,411,795 B2 * 8/2008 Park et al. 361/807
7,426,595 B2 * 9/2008 Osaka 710/304
D596,160 S * 7/2009 Andre et al. D14/217
D672,357 S * 12/2012 Allen D14/447
D687,013 S * 7/2013 Ryu et al. D14/209.1
D689,476 S * 9/2013 Alexander D14/252
D708,166 S * 7/2014 Lim et al. D14/209.1

* cited by examiner

Primary Examiner — Prabhakar Deskmukh

(74) *Attorney, Agent, or Firm* — Rankin, Hill & Clark LLP

(57) **CLAIM**

The ornamental design for a desktop holder for portable terminal, as shown and described.

DESCRIPTION

FIG. 1 is a front, right and top perspective view of a desktop holder for portable terminal showing our new design;
FIG. 2 is a front elevation view thereof;
FIG. 3 is a rear elevation view thereof;
FIG. 4 is a left side elevation view thereof;
FIG. 5 is a right side elevation view thereof;
FIG. 6 is a top plan view thereof;
FIG. 7 is a bottom plan view thereof;
FIG. 8 is a perspective view thereof, showing the article in use; and,
FIG. 9 is a sectional view thereof, taken along line 9-9 of FIG. 2.
The broken line environment in FIGS. 8 and 9 is for illustrative purposes and forms no part of the claimed design.

1 Claim, 4 Drawing Sheets

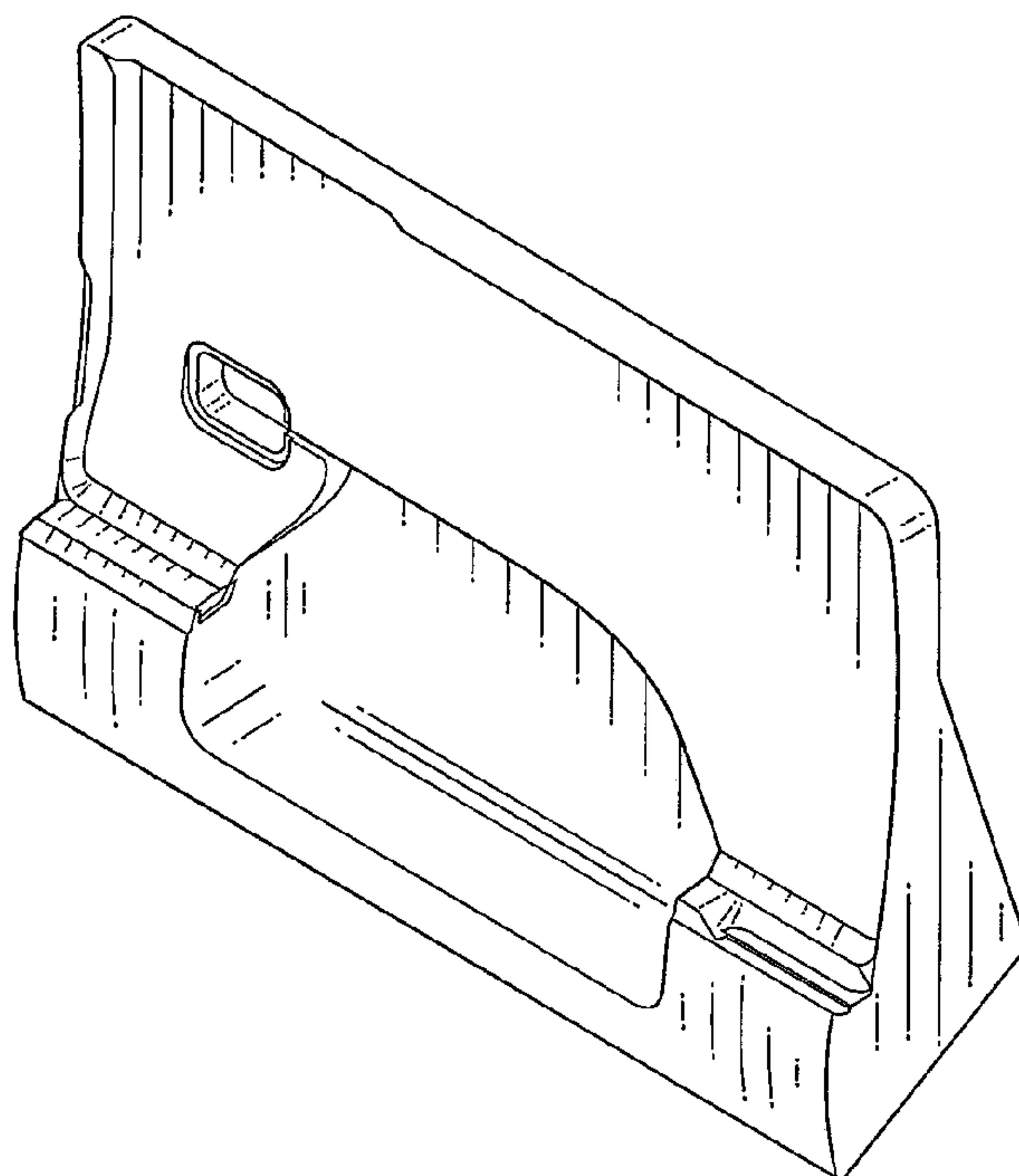


Fig. 1

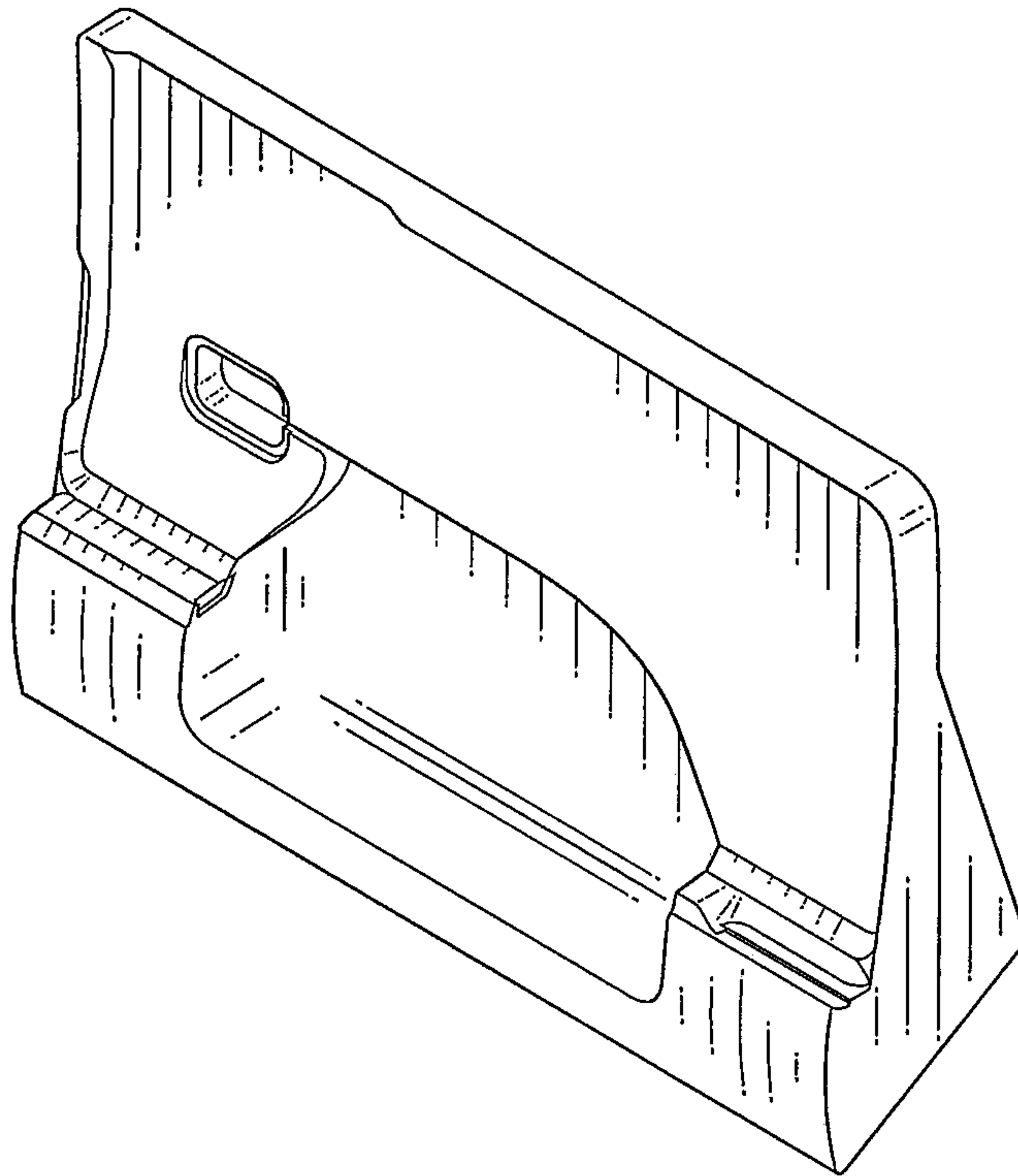


Fig. 2

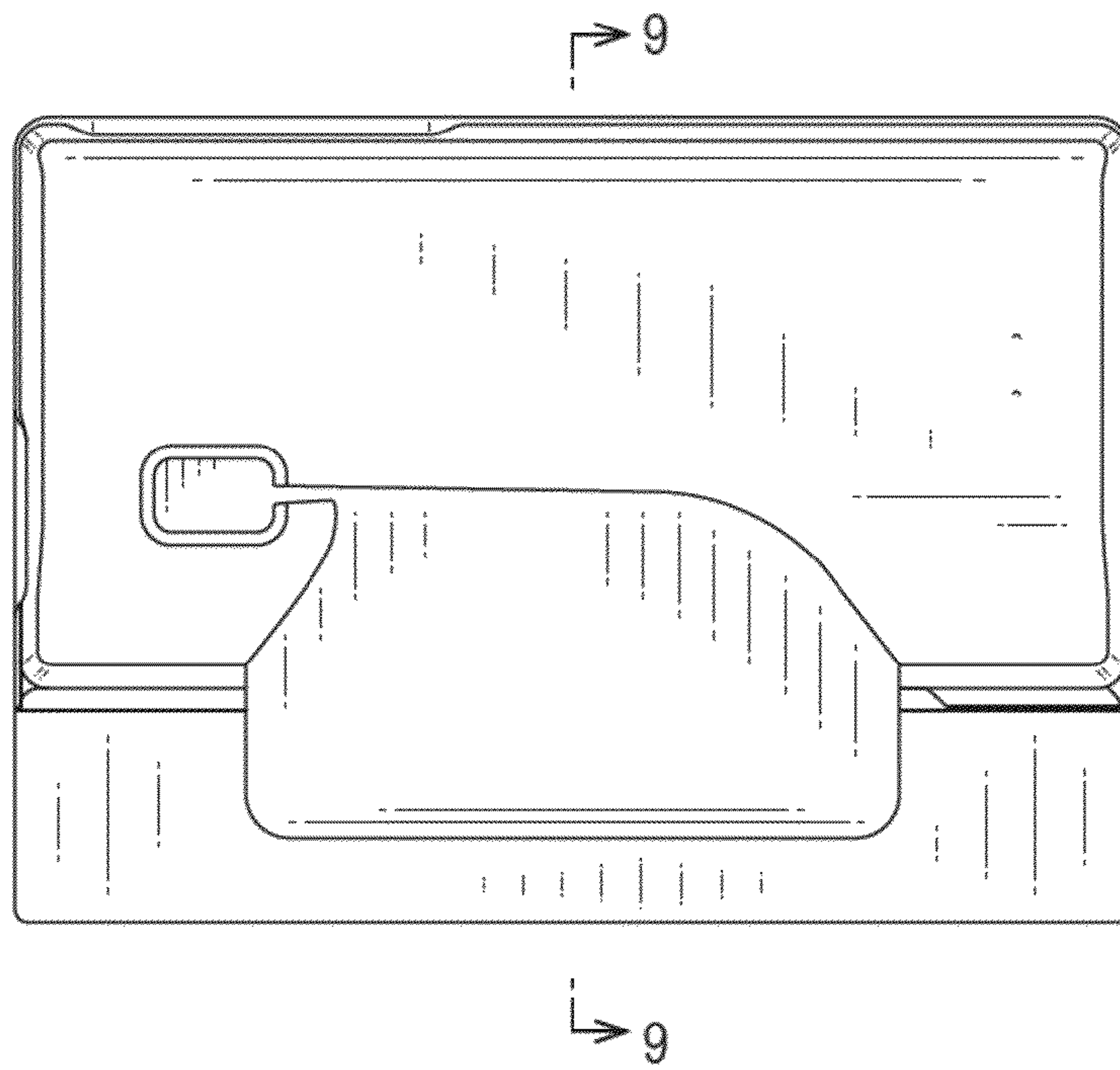


Fig. 3

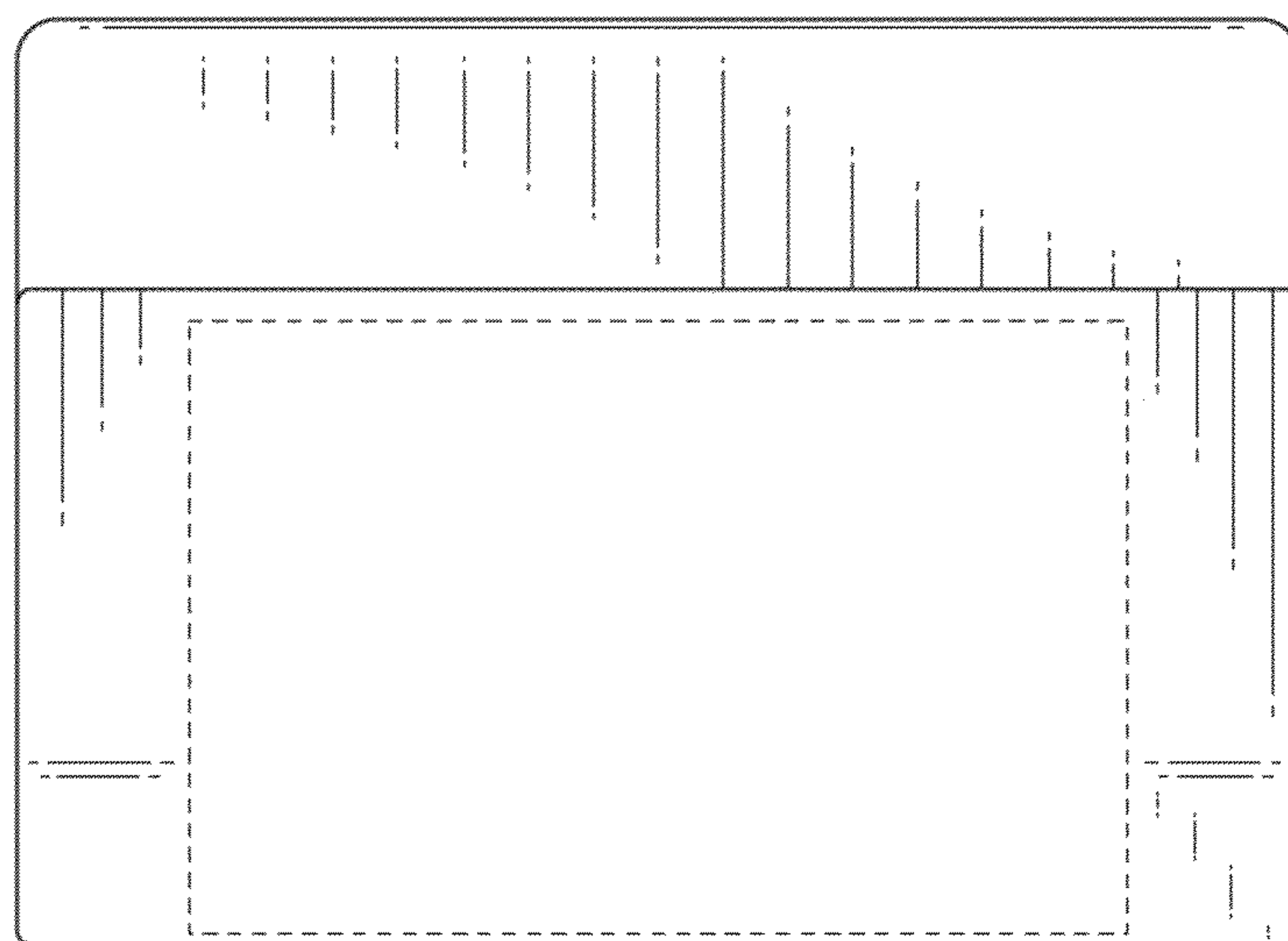


Fig. 4

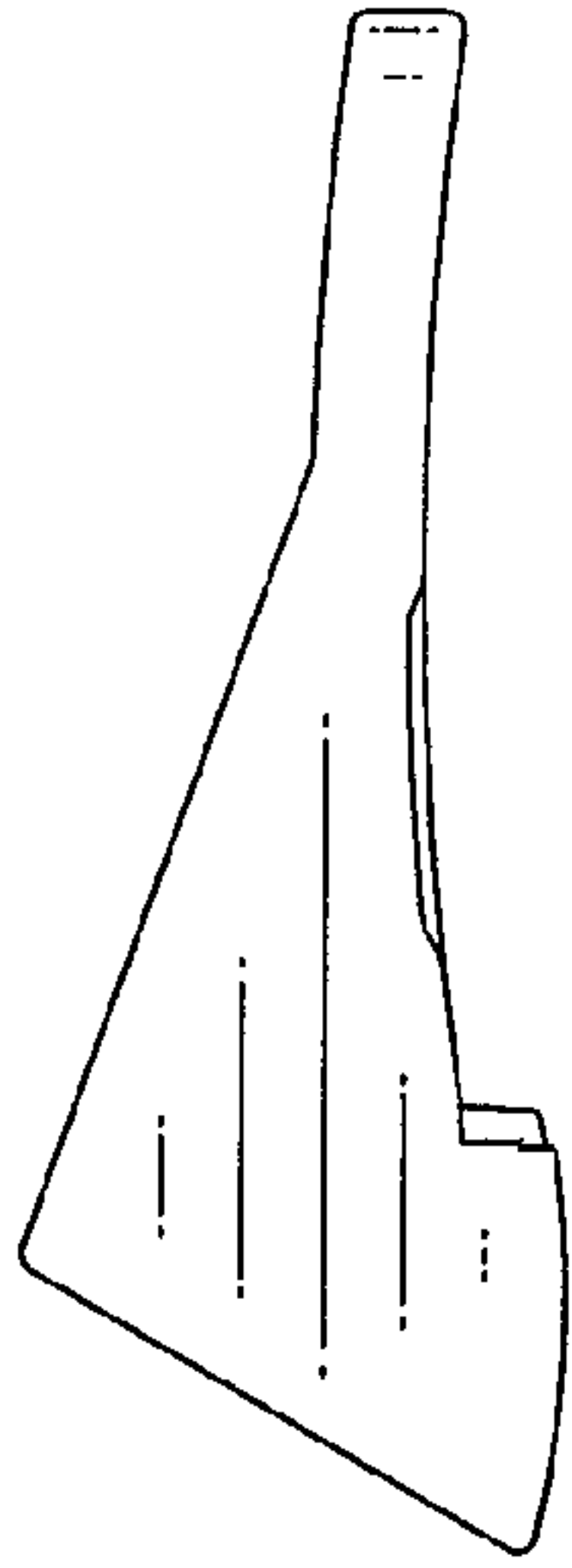


Fig. 5

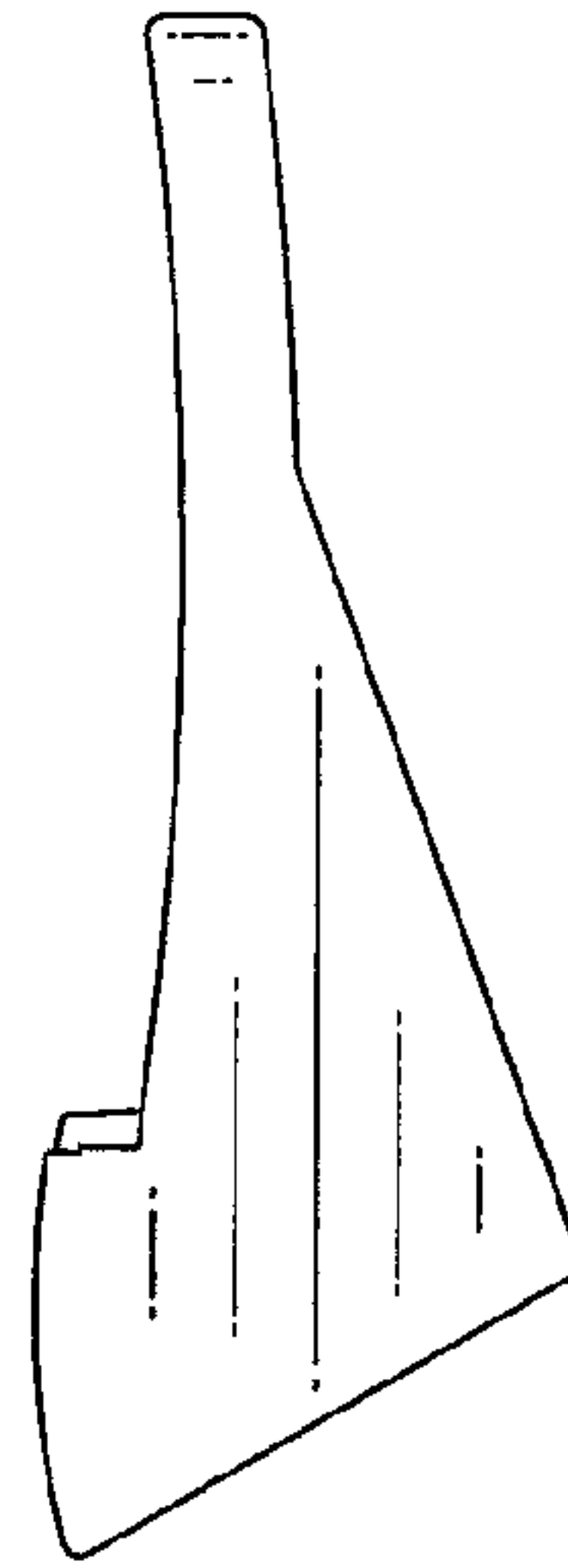


Fig. 6

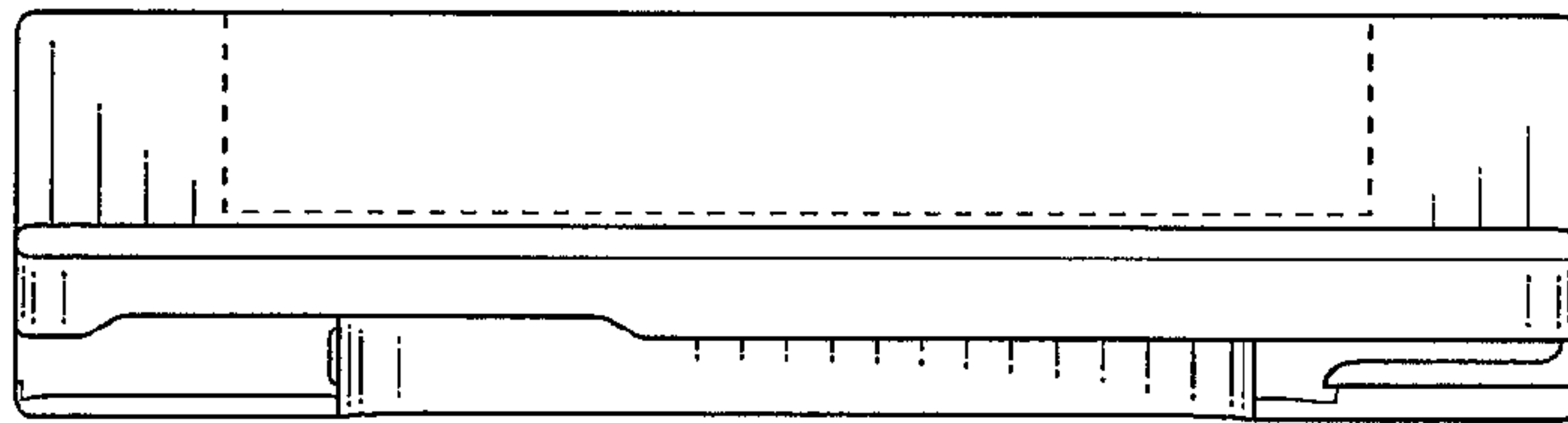


Fig. 7

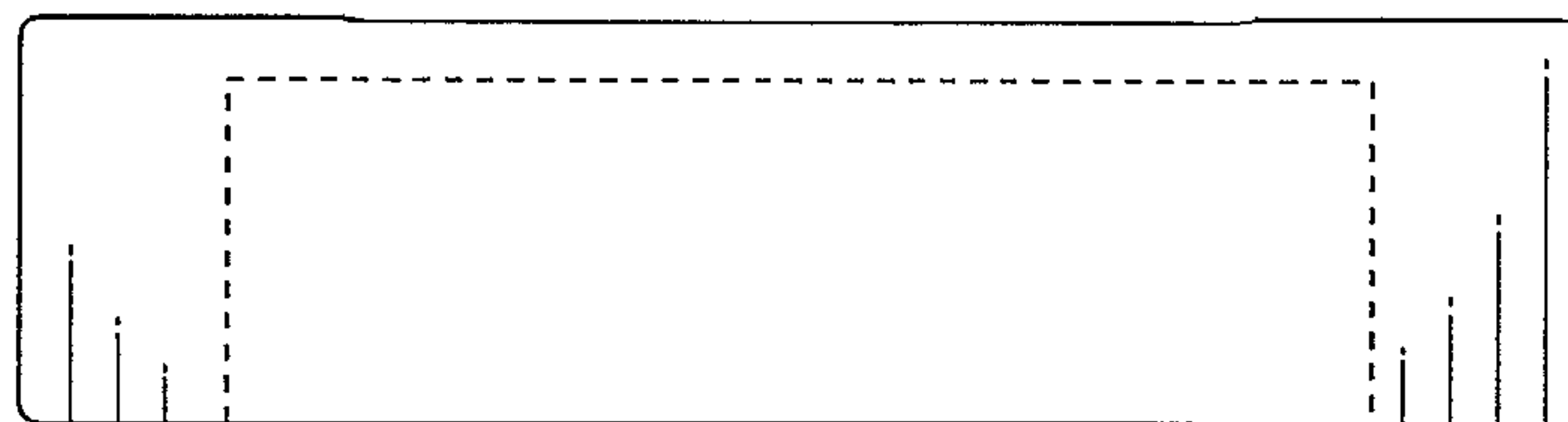


Fig. 8

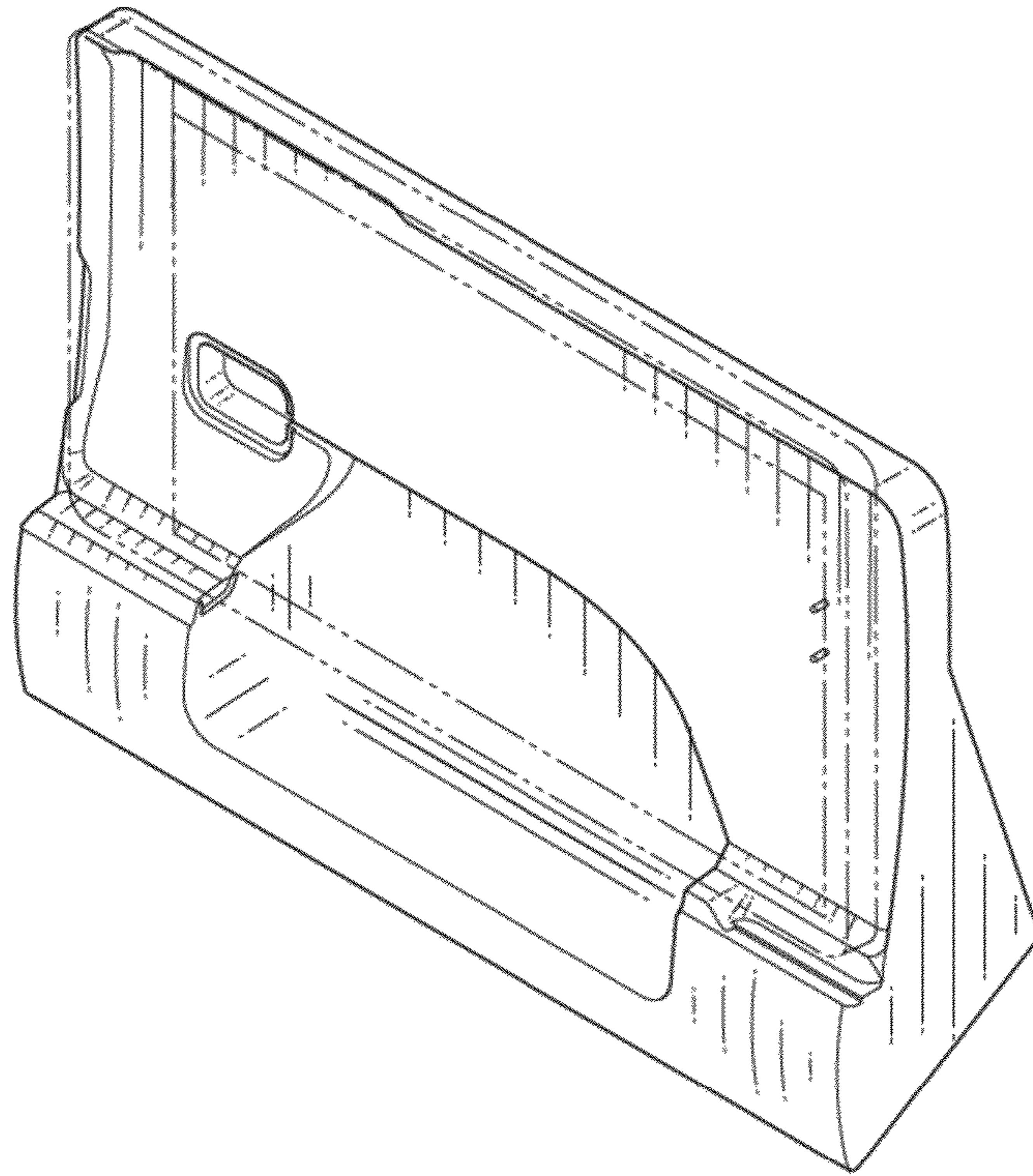


Fig. 9

