



US00D716762S

(12) **United States Design Patent**
Greve

(10) **Patent No.:** **US D716,762 S**

(45) **Date of Patent:** **** Nov. 4, 2014**

(54) **HEADPHONE**

(71) Applicant: **Sebastian Greve, Weertzen (DE)**

(72) Inventor: **Sebastian Greve, Weertzen (DE)**

(73) Assignee: **Jöllenbeck GmbH (DE)**

(**) Term: **14 Years**

(21) Appl. No.: **29/467,124**

(22) Filed: **Sep. 16, 2013**

(51) **LOC (10) Cl.** **14-01**

(52) **U.S. Cl.**
USPC **D14/206**

(58) **Field of Classification Search**
CPC H04R 1/1066
USPC D14/205, 206; 181/129, 130, 135;
379/430, 431; 381/380, 381; 455/90.3,
455/575.1

See application file for complete search history.

(56) **References Cited**

U.S. PATENT DOCUMENTS

D235,210 S *	5/1975	Hill	D14/205
D246,519 S *	11/1977	Kato	D14/205
D322,071 S *	12/1991	Bergin et al.	D14/206
D345,163 S *	3/1994	Yamatogi	D14/205
D491,163 S *	6/2004	Green	D14/205
D512,708 S *	12/2005	Harris et al.	D14/205
D541,255 S *	4/2007	Taylor et al.	D14/205
D563,382 S *	3/2008	Wikel	D14/205
D573,581 S *	7/2008	Gondo et al.	D14/205

D581,394 S *	11/2008	Lee	D14/205
D585,871 S *	2/2009	Lee	D14/205
D585,872 S *	2/2009	Lee	D14/205
D592,639 S *	5/2009	Kuh et al.	D14/205
D594,847 S *	6/2009	Suzuki	D14/205
D602,908 S *	10/2009	Ham et al.	D14/206
D625,705 S *	10/2010	Ohuri et al.	D14/205
D641,727 S *	7/2011	Krauss et al.	D14/206
D652,017 S *	1/2012	Groves et al.	D14/206
8,098,872 B2 *	1/2012	Chang	381/371
D706,244 S *	6/2014	Goransson	D14/225

* cited by examiner

Primary Examiner — Paula Greene

(74) *Attorney, Agent, or Firm* — Inventa Capital PLC

(57) **CLAIM**

I claim the ornamental design for a headphone, as shown and described.

DESCRIPTION

FIG. 1 is a back view of a headphone of the present invention;
 FIG. 2 is a left side view of the headphone;
 FIG. 3 is a top view of the headphone;
 FIG. 4 is a right side view of the headphone;
 FIG. 5 is a bottom view of the headphone;
 FIG. 6 is a front view of the headphone;
 FIG. 7 is a perspective view of the headphone;
 FIG. 8 is another right side view of the headphone;
 FIG. 9 is another perspective view of the headphone; and,
 FIG. 10 is another left side view of the headphone.
 The front face of the ear cushion adjacent the microphone is the same as the front face of the ear cushion in the perspective views of FIG. 7 and FIG. 9.

1 Claim, 10 Drawing Sheets

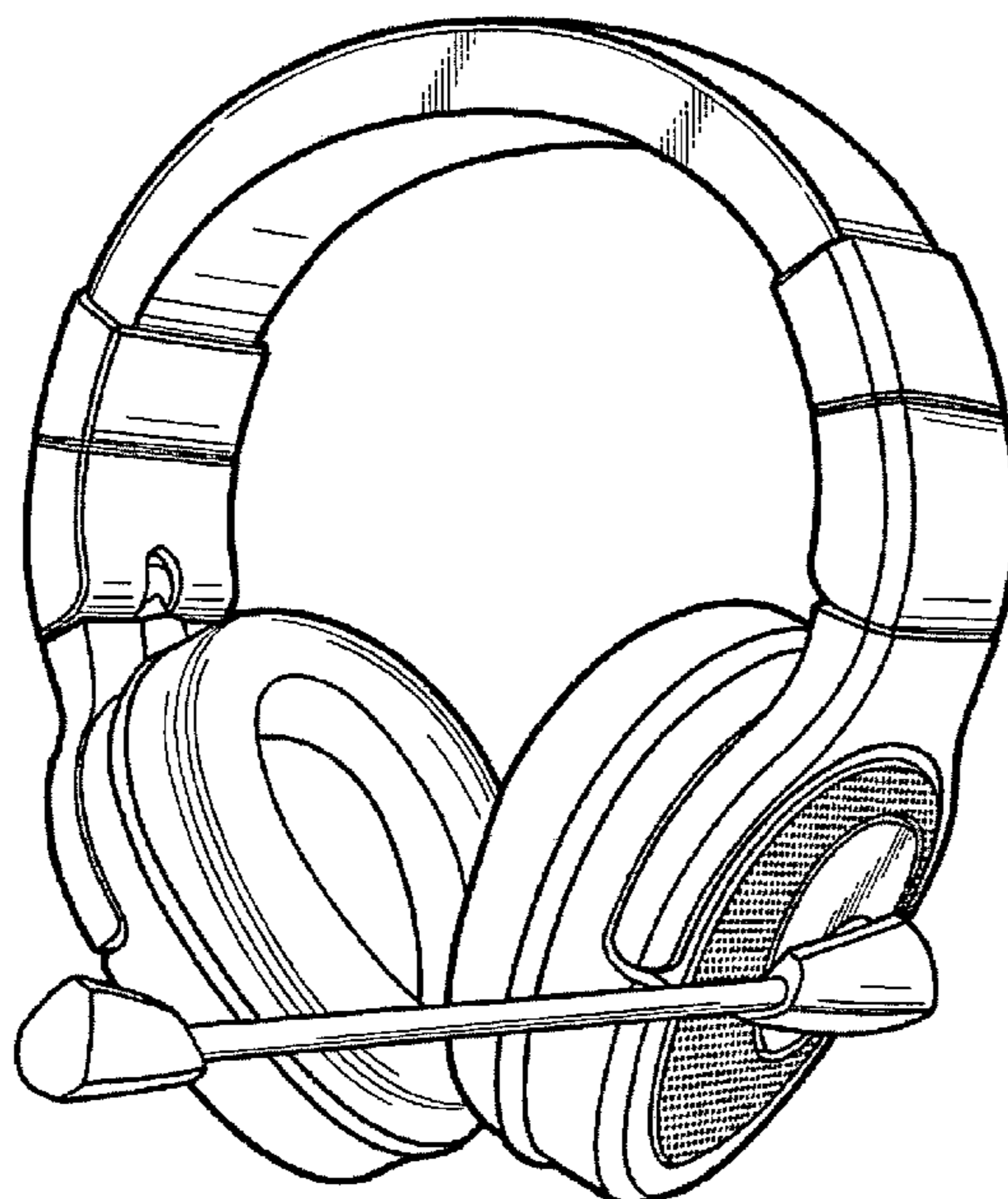


FIG. 1



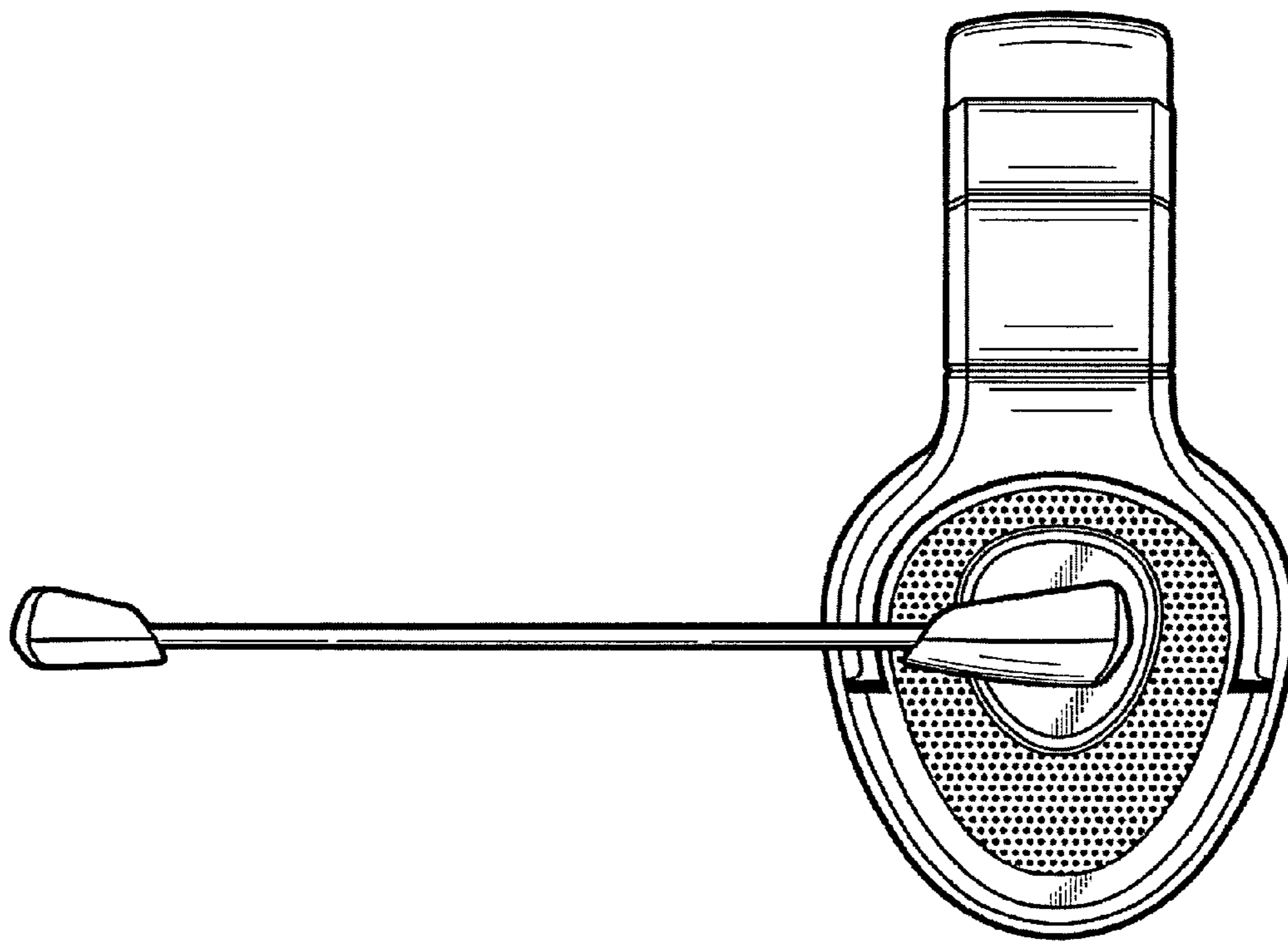
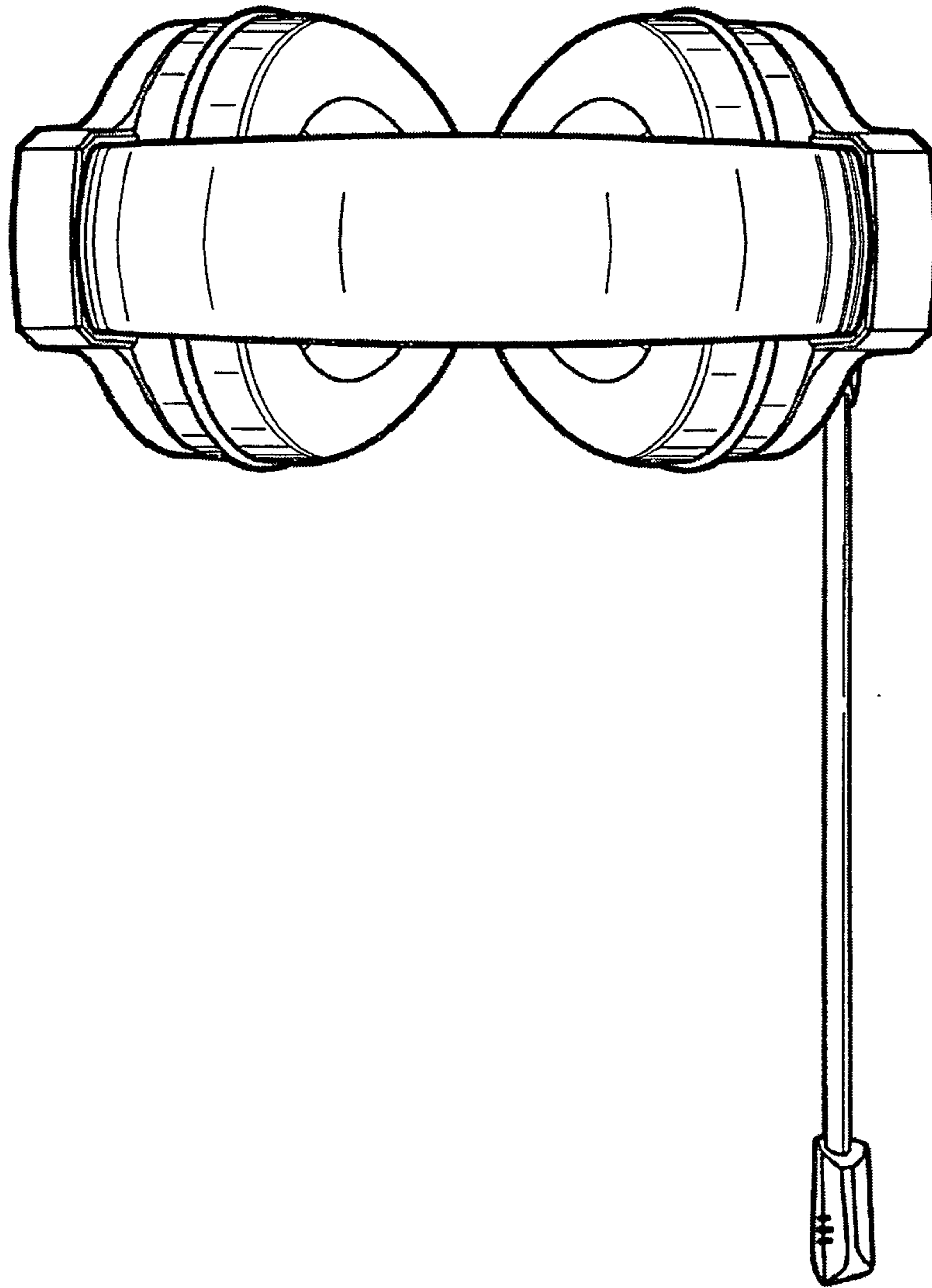


FIG. 2

FIG. 3



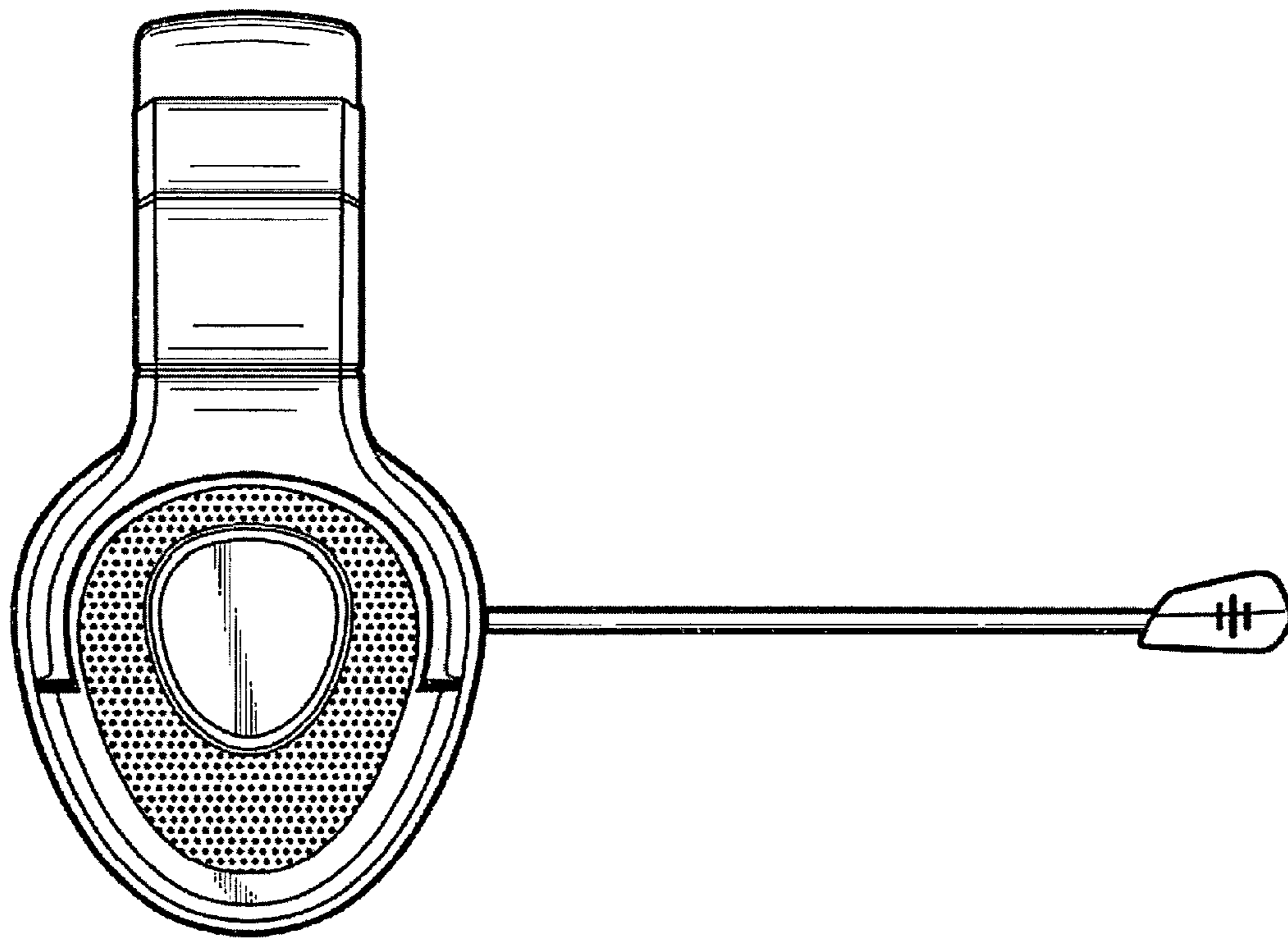


FIG. 4

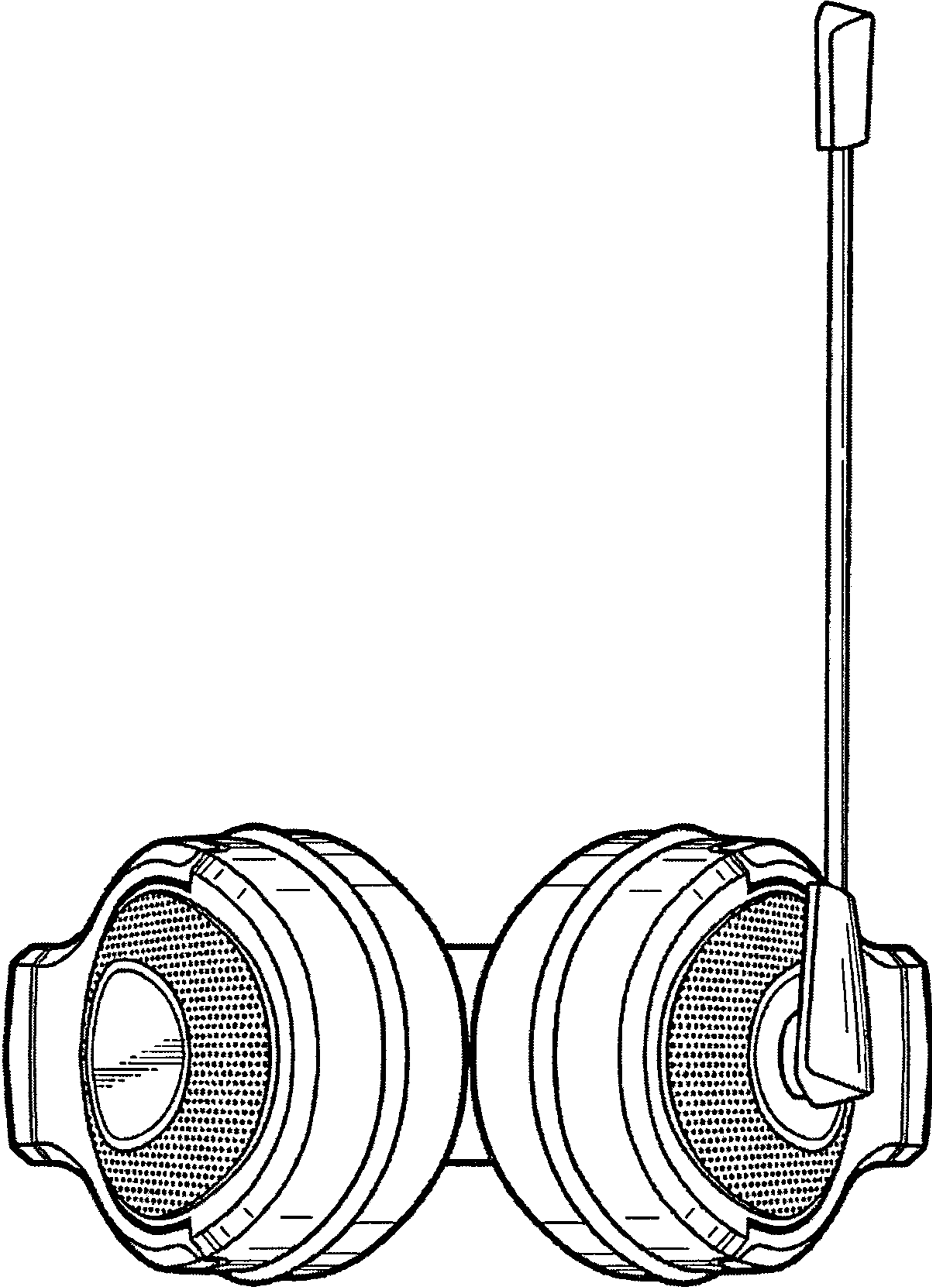


FIG. 5



FIG. 6

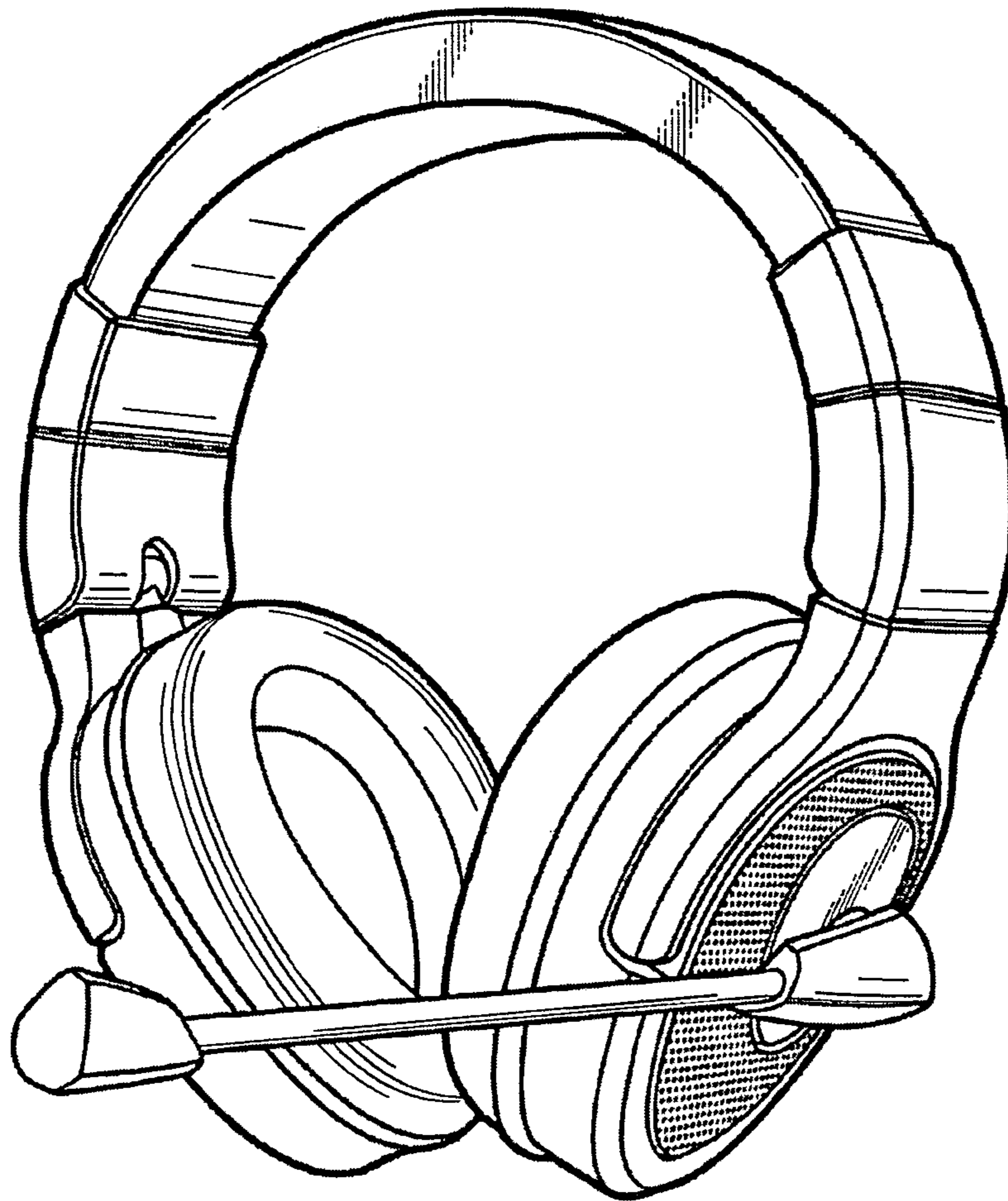


FIG. 7

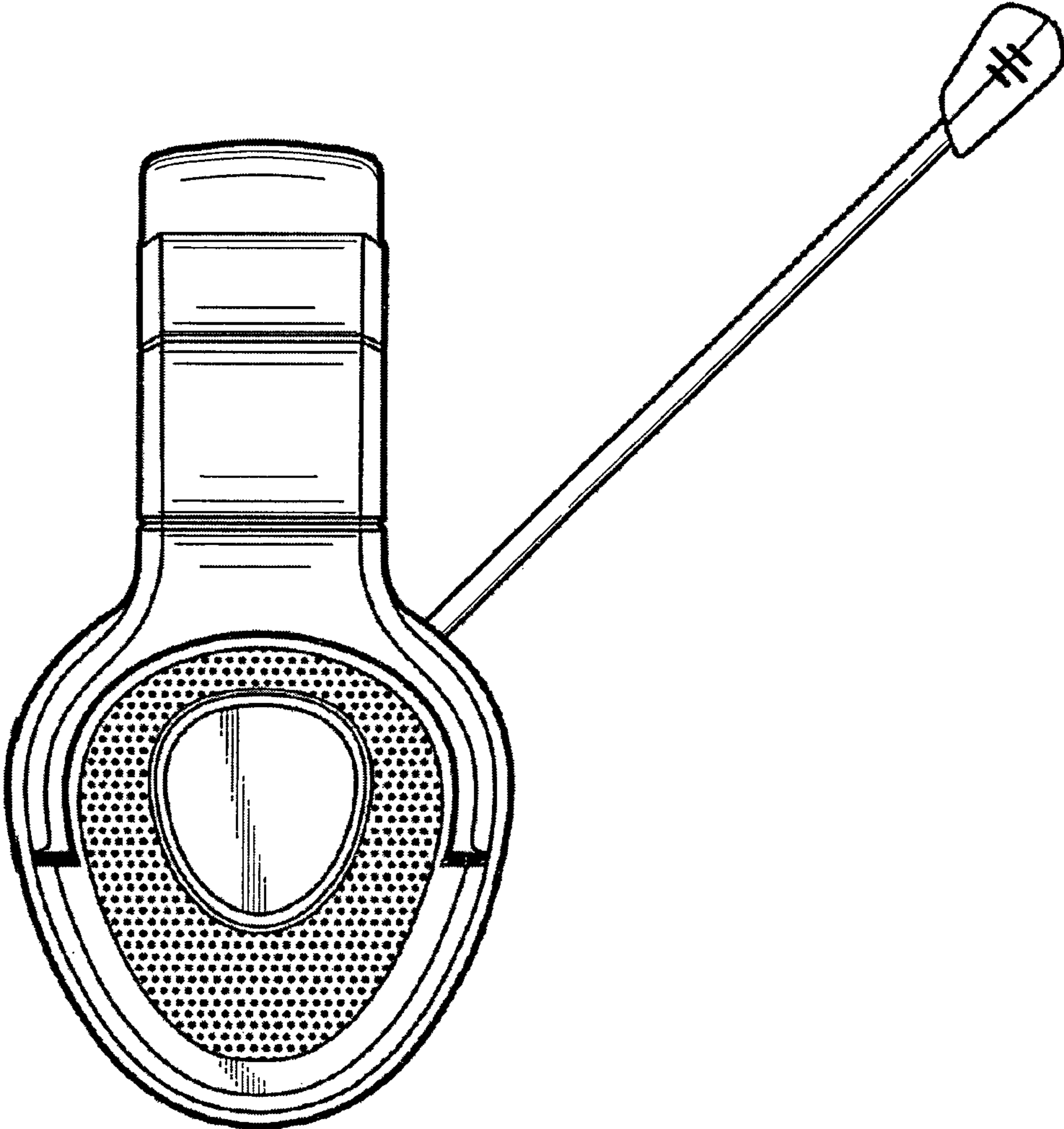


FIG. 8

FIG. 9

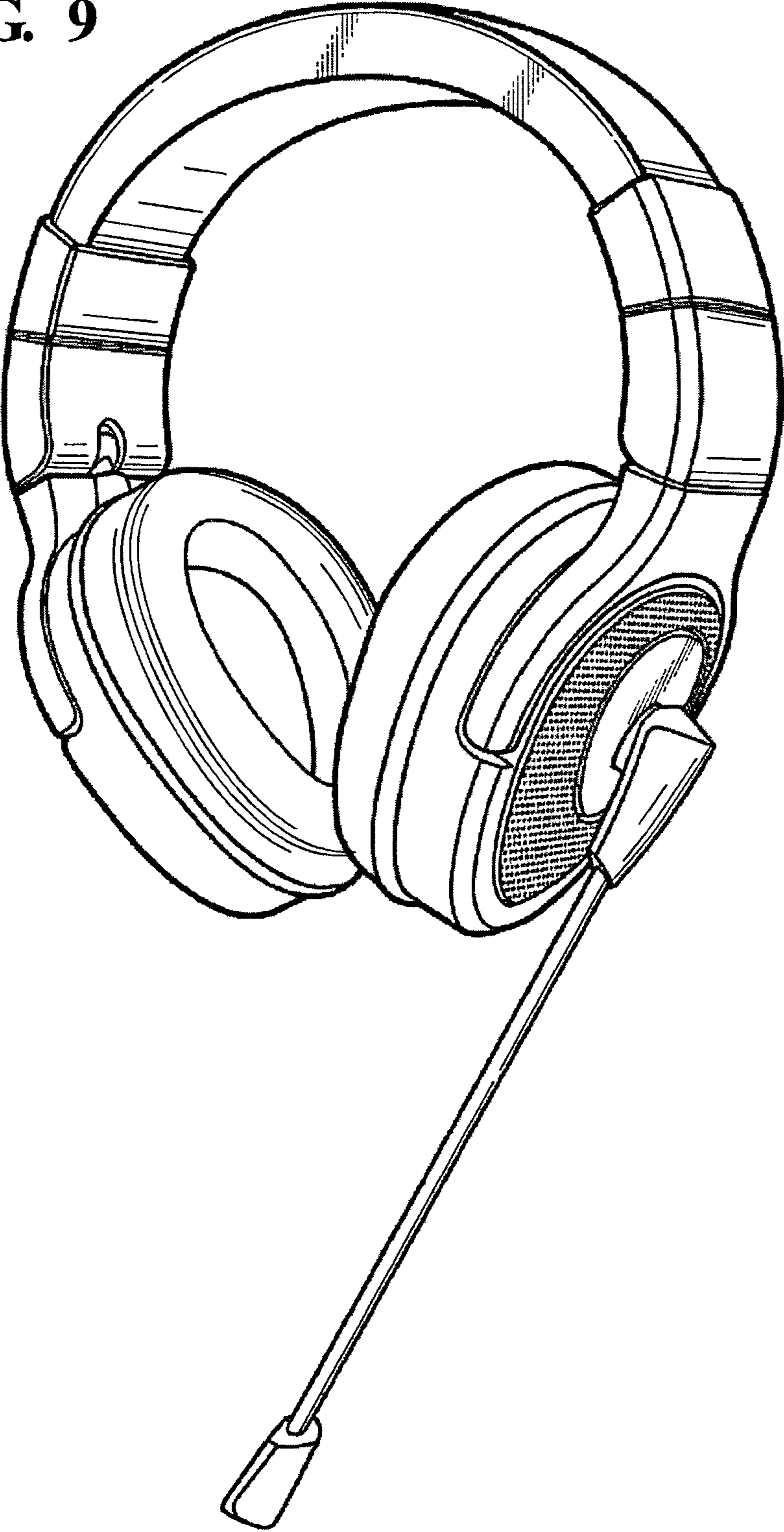


FIG. 10

